

US00D379018S

# United States Patent [19]

Miller

[11] Patent Number: Des. 379,018

[45] Date of Patent: \*\*Apr. 29, 1997

[54] SEMI-TRAILER LIFT

[76] Inventor: Bert Miller, P.O. Box 744, Golden, British Columbia, Canada, V0A 1H0

[\*\*] Term: 14 Years

[21] Appl. No.: 46,081

[22] Filed: Nov. 7, 1995

[52] U.S. Cl. .... D34/28; D34/31

[58] Field of Search ..... D34/28, 33, 35, D34/36; D12/101, 406-408; 254/45, 2 C, 10 R, 8 R, 125; 212/94, 294-5, 901; 187/200, 243-4; 414/483, 343, 11; 280/401, 402

[56] **References Cited**

**U.S. PATENT DOCUMENTS**

D. 368,568	4/1996	Hartley .....	D34/31
2,646,957	7/1953	Lovik .....	254/45
2,786,590	3/1957	Edwards et al. ....	214/506
2,864,627	12/1958	Kleinknecht .....	280/401
3,161,418	12/1964	Brennan et al. ....	280/81

3,486,652	12/1969	Seward .....	254/45
4,482,130	11/1984	Paredes .....	254/8 R
4,886,243	12/1989	Trumbull .....	254/8 R
5,140,923	8/1992	Wood .....	D34/28

Primary Examiner—A. Hugo Word  
Assistant Examiner—Robin V. Taylor  
Attorney, Agent, or Firm—James A. Hudak

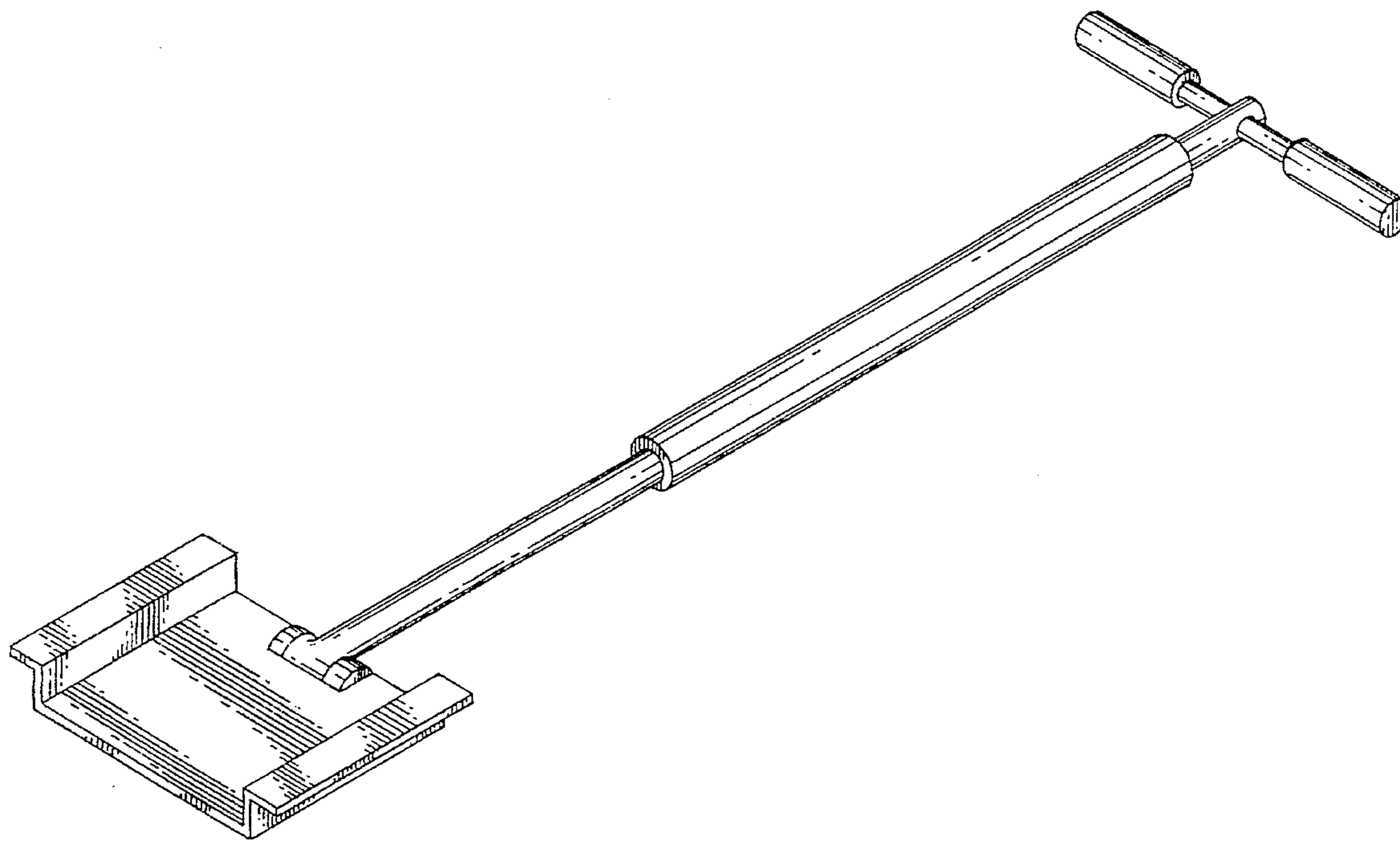
[57] **CLAIM**

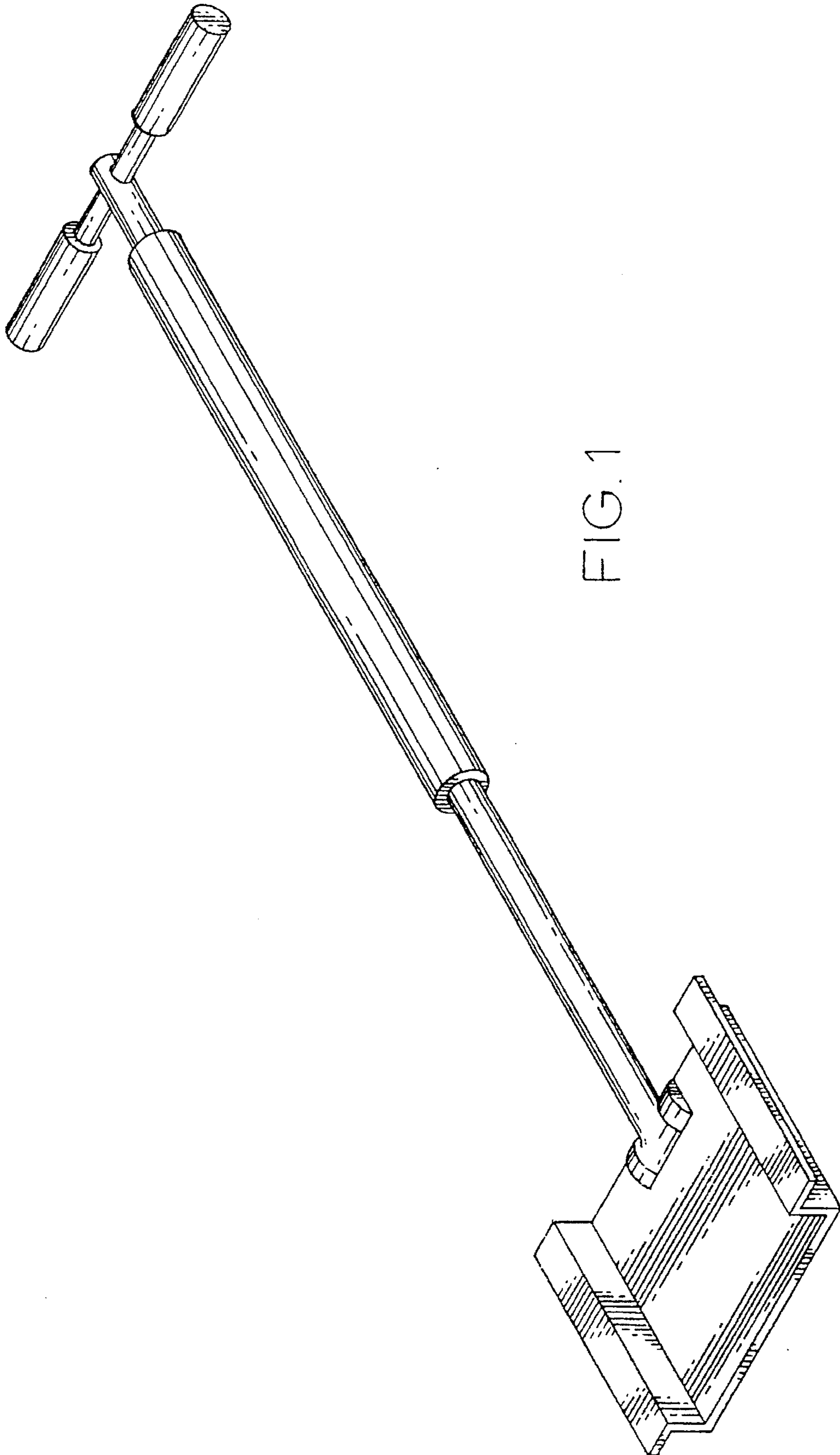
The ornamental design for a semi-trailer lift, as shown and described.

**DESCRIPTION**

FIG. 1 is a perspective view of the semi-trailer lift showing my new design;  
FIG. 2 is a left end elevational view thereof;  
FIG. 3 is a right end elevational view thereof;  
FIG. 4 is a front elevational view thereof, the rear elevational view being a mirror image of the view shown in this Figure;  
FIG. 5 is a top plan view thereof; and,  
FIG. 6 is a bottom plan view thereof.

**1 Claim, 2 Drawing Sheets**





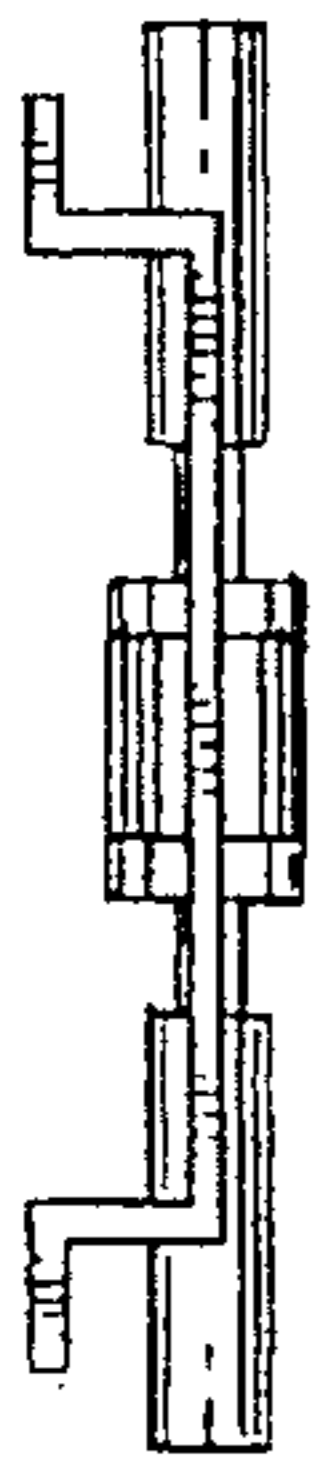


FIG. 2

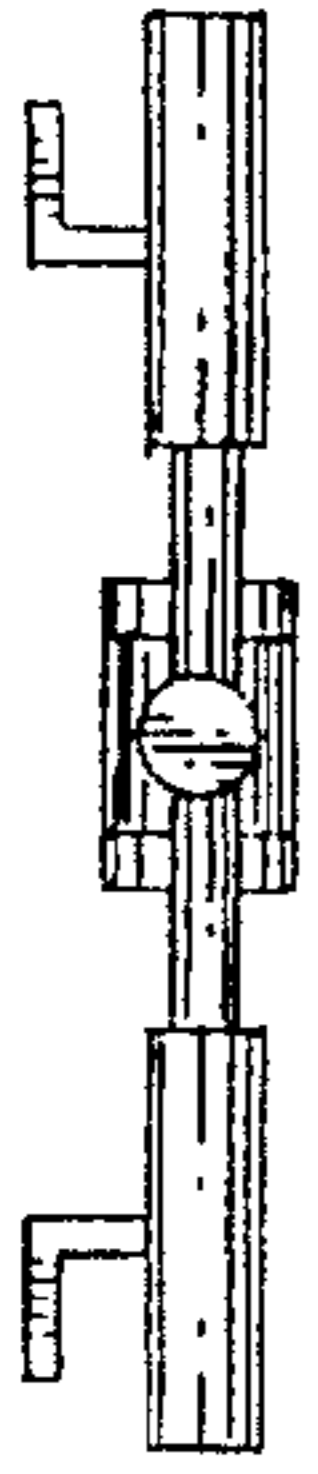


FIG. 3

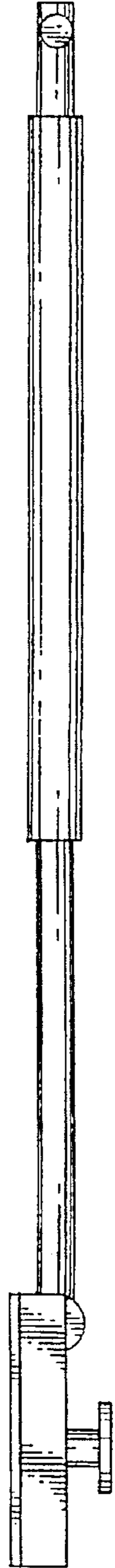


FIG. 4

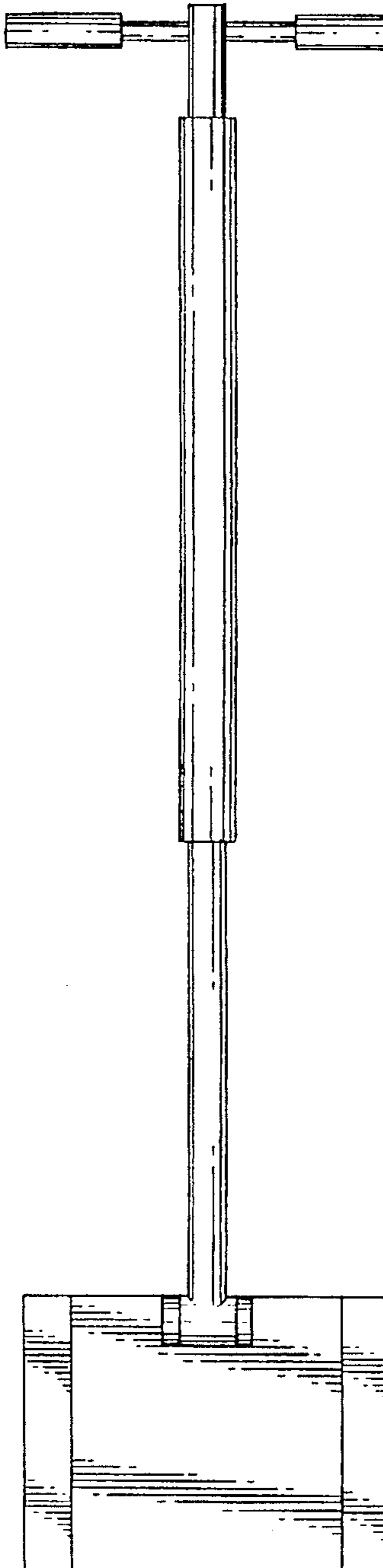


FIG. 5

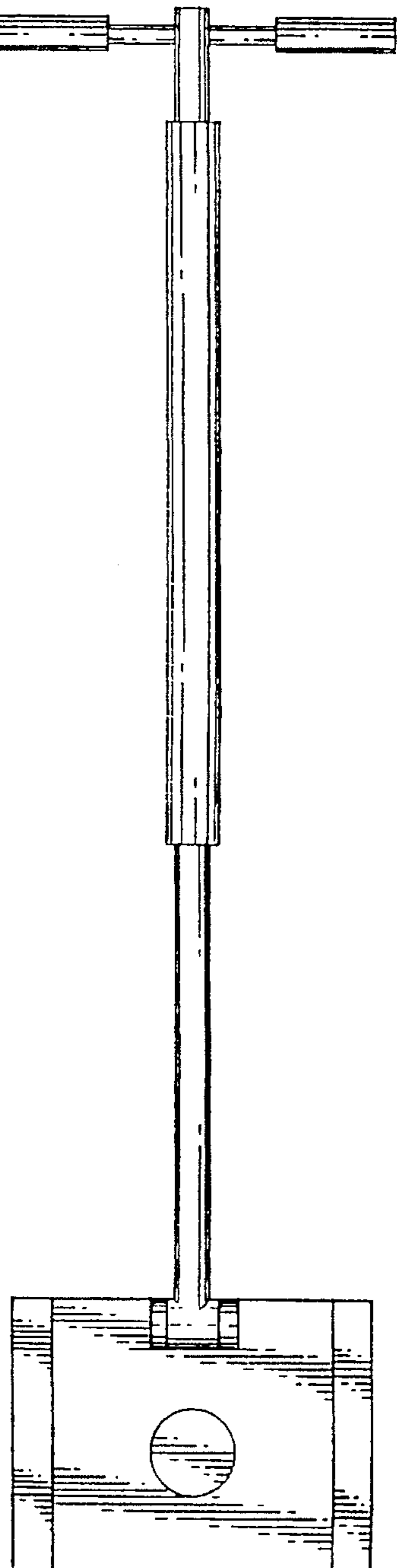


FIG. 6