



US00D379013S

United States Patent [19]
Shih

[11] **Patent Number: Des. 379,013**

[45] **Date of Patent: **Apr. 29, 1997**

[54] **MAKE-UP EXHIBITING CASE**

[75] **Inventor: Yu-Ching Shih, Tainan Hsien, Taiwan**

[73] **Assignee: Hawthorn Enterprise Co., Ltd.,
Tainan Hsien, Taiwan**

[**] **Term: 14 Years**

[21] **Appl. No.: 39,442**

[22] **Filed: May 31, 1995**

[52] **U.S. Cl. D28/73**

[58] **Field of Search** D28/61, 73-75;
D3/205, 313, 301, 273, 294, 295; D6/463,
473, 475-6; D19/75, 77, 86, 80, 81, 84;
211/13, 10, 70.1; 132/286, 314, 315; 206/581,
823, 45.13, 45.23, 45.15, 45.17, 45.18,
45.2; 312/117, 118, 123, 129

[56] **References Cited**

U.S. PATENT DOCUMENTS

D. 168,533	1/1953	Chamberlain	D6/476	X
D. 202,401	9/1965	Black	D3/275	X
D. 252,409	7/1979	Rose et al.	D3/901	X
D. 255,065	5/1980	Salacuse	D28/73	X

D. 270,798	10/1983	McDiarmid, III	D6/473	
D. 273,721	5/1984	Ronzani	D9/420	X
D. 286,329	10/1986	Sussman	D28/73	
4,844,261	7/1989	Ishii	206/45.17	X
5,355,997	10/1994	Kikuchi	206/45.13	

Primary Examiner—Ted Shooman

Assistant Examiner—C. Tuttle

Attorney, Agent, or Firm—Morton J. Rosenberg; David I. Klein

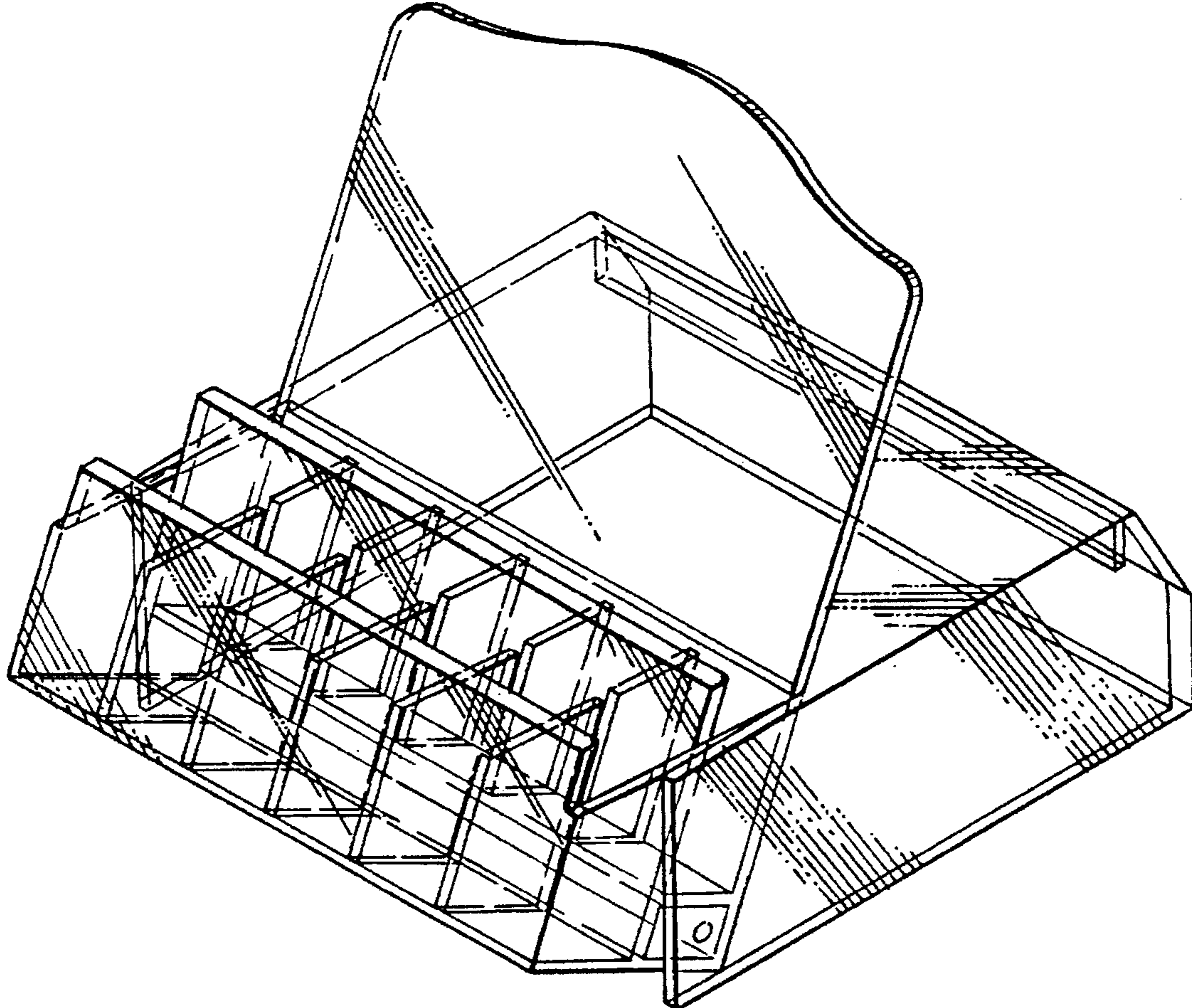
[57] **CLAIM**

The ornamental design for a make-up exhibiting case, as shown.

DESCRIPTION

FIG. 1 is a perspective view of a make-up exhibiting case showing my new design;
FIG. 2 is a front elevational view thereof;
FIG. 3 is a rear elevational view thereof;
FIG. 4 is a left side elevational view thereof;
FIG. 5 is a right side elevational view thereof;
FIG. 6 is a top plan view thereof; and,
FIG. 7 is a bottom plan view thereof.

1 Claim, 5 Drawing Sheets



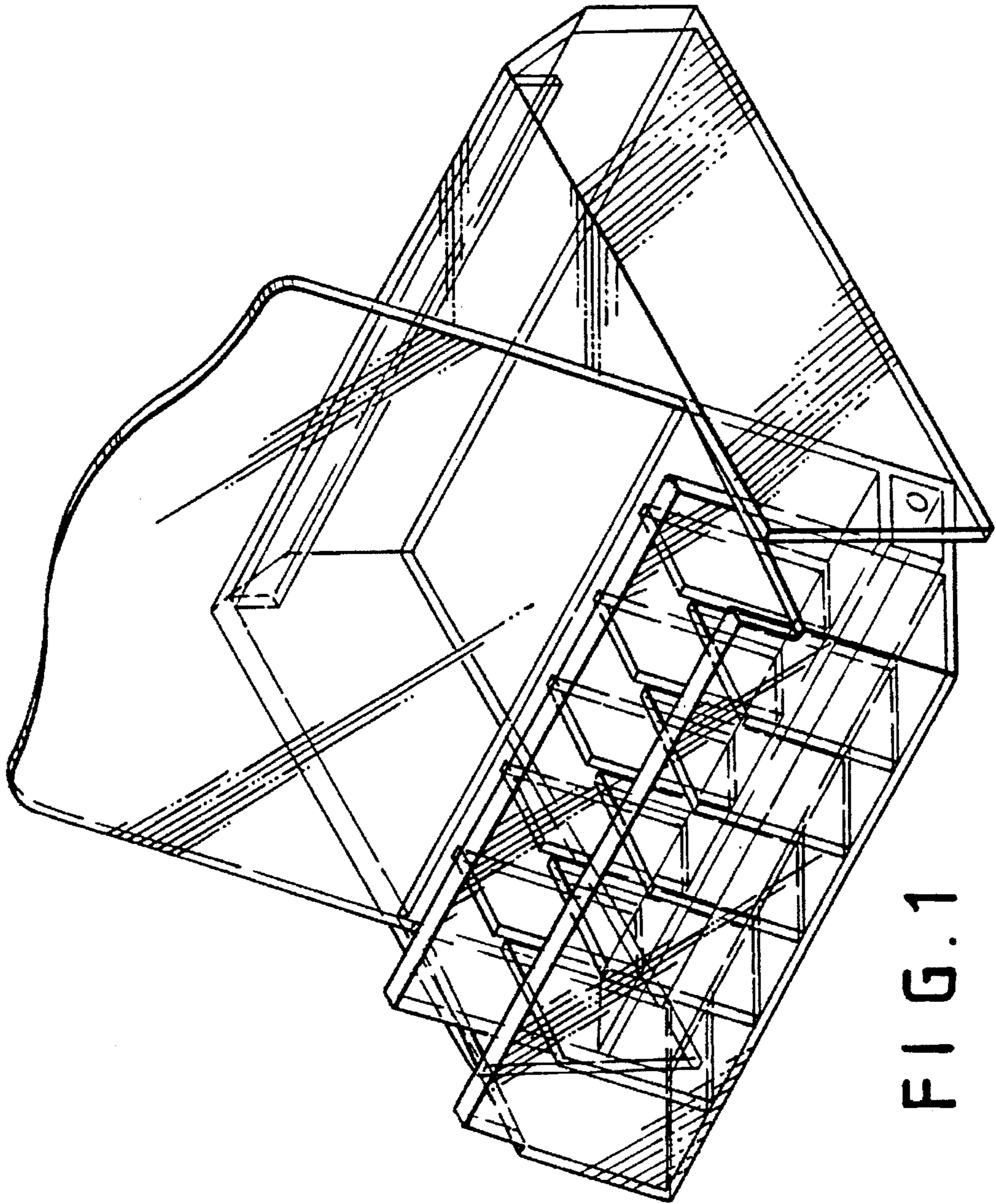


FIG. 1

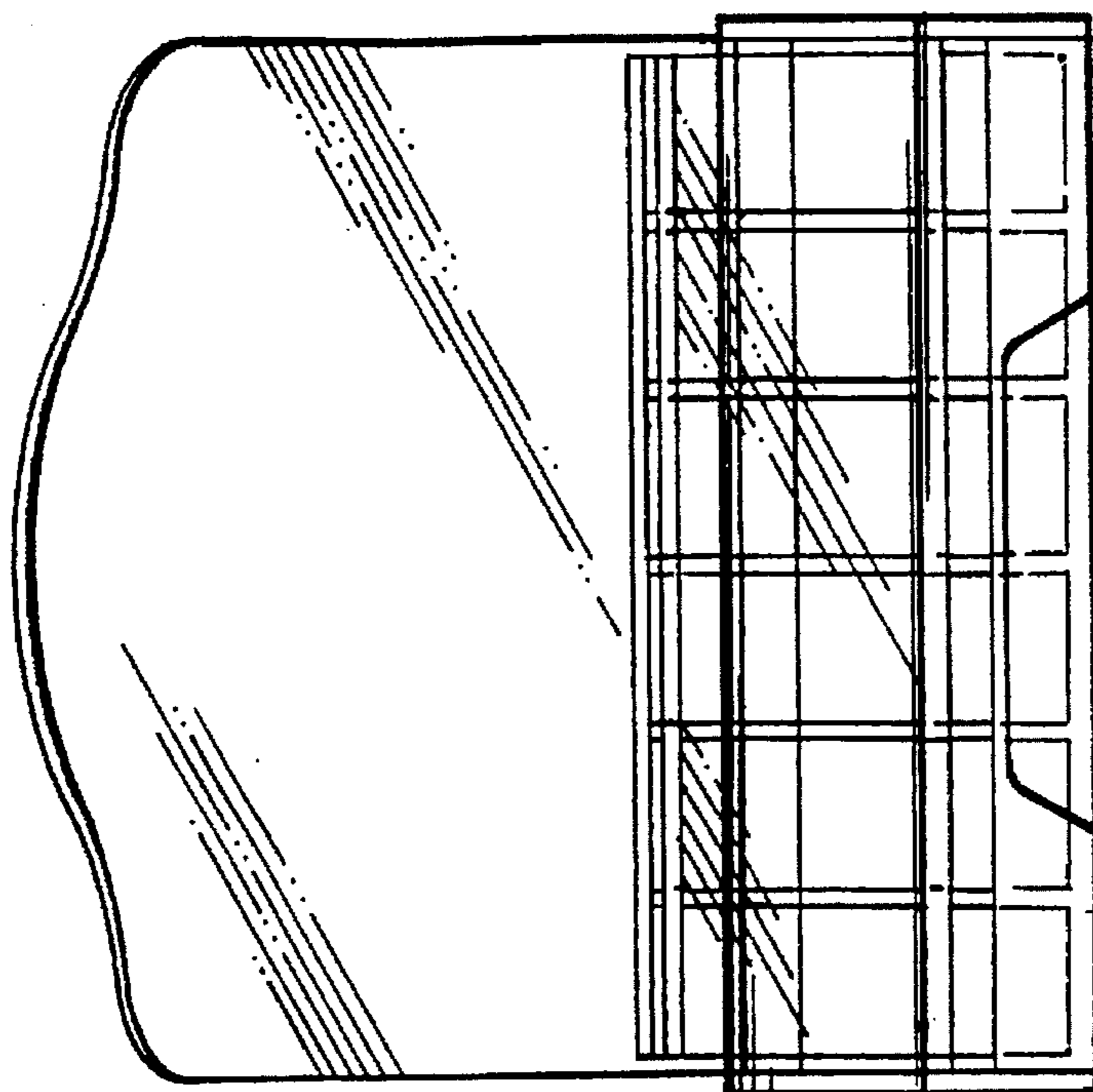


FIG. 2

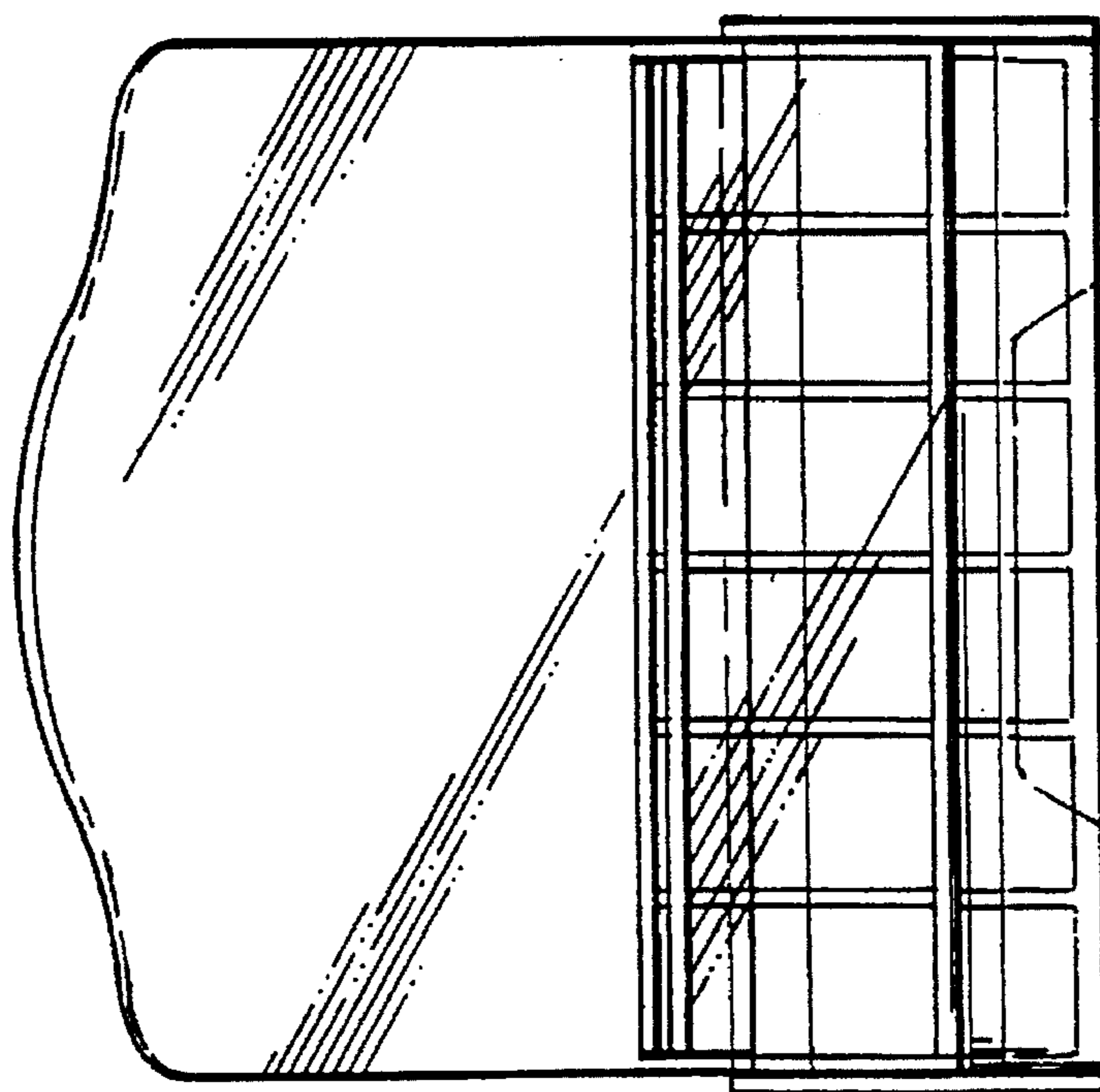


FIG. 3

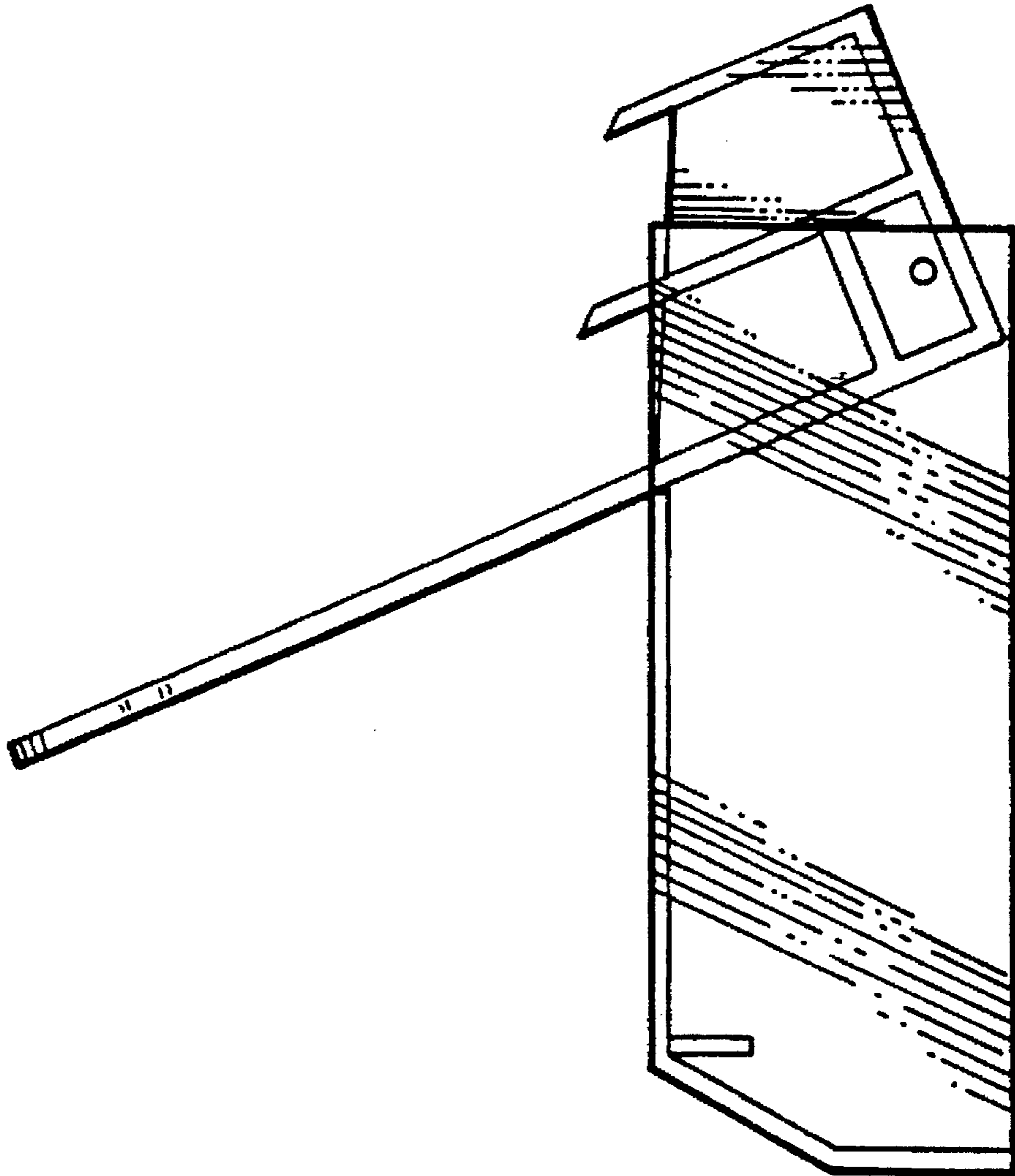


FIG. 4

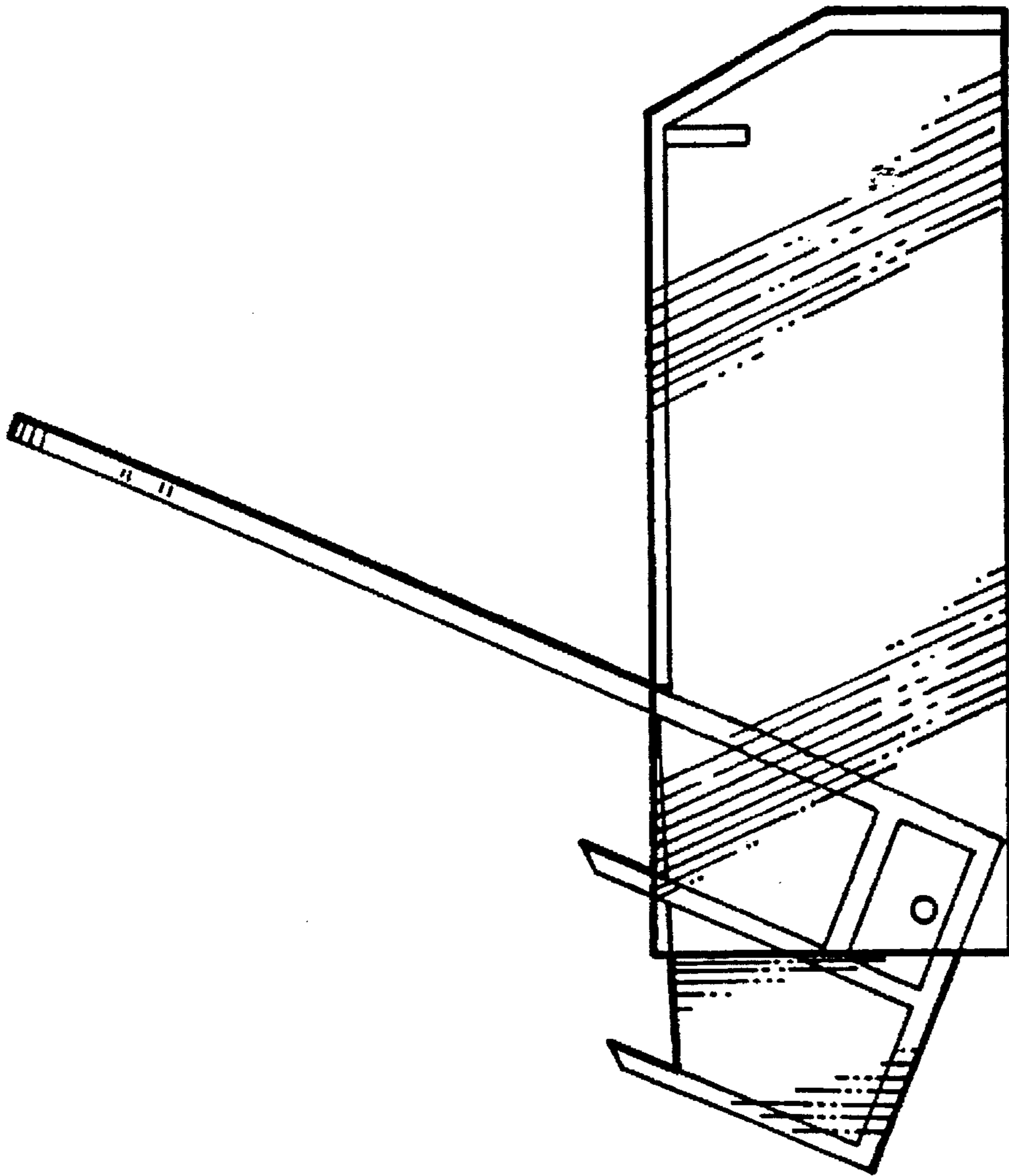


FIG. 5

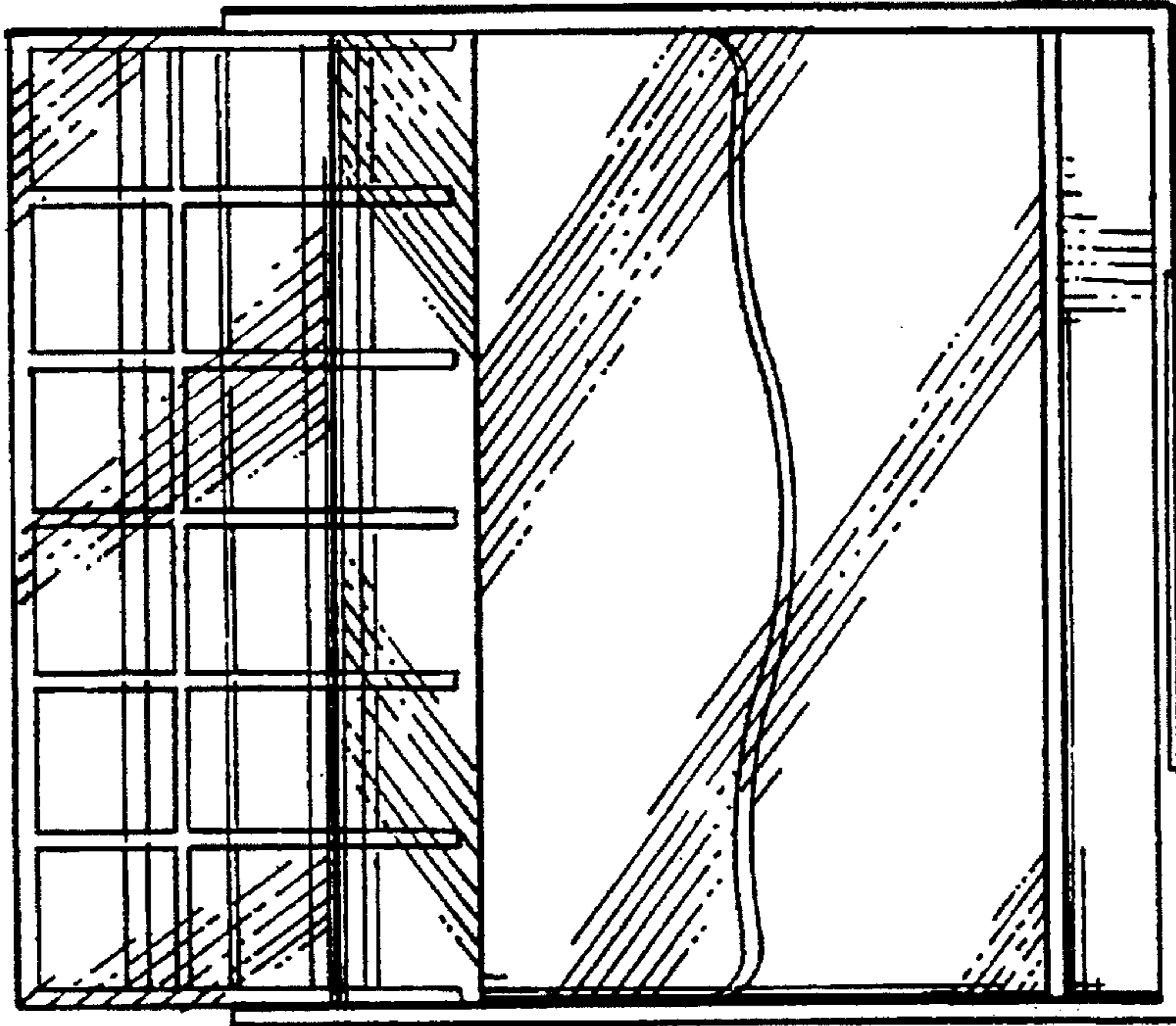


FIG. 7

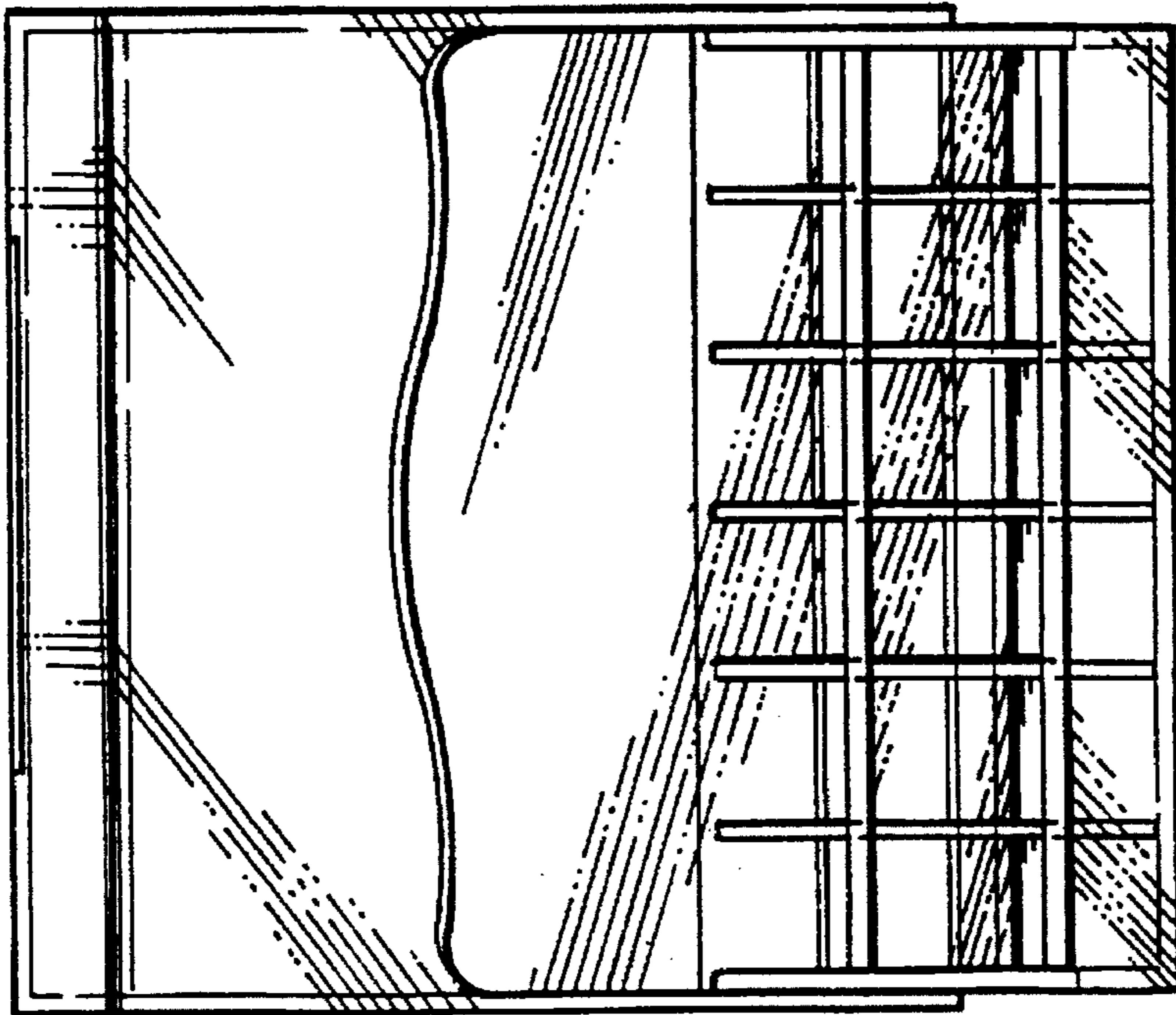


FIG. 6