



US00D379010S

# United States Patent [19] Digianni

[11] Patent Number: **Des. 379,010**

[45] Date of Patent: **\*\*Apr. 29, 1997**

[54] CONTAINER FOR SMOKING ARTICLES

[75] Inventor: **John A. Digianni**, New York, N.Y.

[73] Assignee: **British-American Tobacco Company Limited**, Middlesex, England

[\*\*] Term: **14 Years**

[21] Appl. No.: **53,221**

[22] Filed: **Apr. 17, 1996**

[30] **Foreign Application Priority Data**

Dec. 1, 1995 [GB] United Kingdom ..... 2052403

[52] U.S. Cl. .... **D27/189**

[58] Field of Search ..... D27/189, 186, D27/172, 183, 191, 185, 175, 184; 206/256, 242, 251, 259, 261, 264, 265, 263; D3/247, 251, 294, 901, 295; 262/263

[56] **References Cited**

**U.S. PATENT DOCUMENTS**

D. 54,979	4/1920	Blackmarr	.....	D27/184
D. 142,705	10/1945	Dawer	.....	D27/189
D. 144,278	3/1946	Wohl	.....	D27/189
D. 159,568	8/1950	Wolfenden	.....	D27/175
D. 255,038	5/1980	Itakura	.....	D27/189 X
D. 283,950	5/1986	Markowitz	.....	D3/247
D. 352,601	11/1994	Dallaire	.....	D3/901 X
951,592	3/1910	Chatellier	.....	206/256 X
1,485,221	2/1924	Gee	.....	262/263
1,926,839	9/1933	Denels	.....	D27/189 X

*Primary Examiner*—Susan J. Lucas

*Assistant Examiner*—Jennifer A. Register

*Attorney, Agent, or Firm*—Kane, Dalsimer, Sullivan, Kurucz, Levy, Eisele and Richard

[57] **CLAIM**

The ornamental design for a container for smoking articles, as shown and described.

**DESCRIPTION**

FIG. 1 is a front perspective view from above and one side of the container for smoking articles showing our new design;

FIG. 2 is a front view of the container for smoking articles shown in FIG. 1;

FIG. 3 is a side view of the container for smoking articles of FIG. 1 with the opposite side being a mirror image;

FIG. 4 is an plan view of the top of the container for smoking articles as seen in FIG. 1;

FIG. 5 is a back end view of the container for smoking articles of FIG. 1;

FIG. 6 is a view as in FIG. 1 but with the container open;

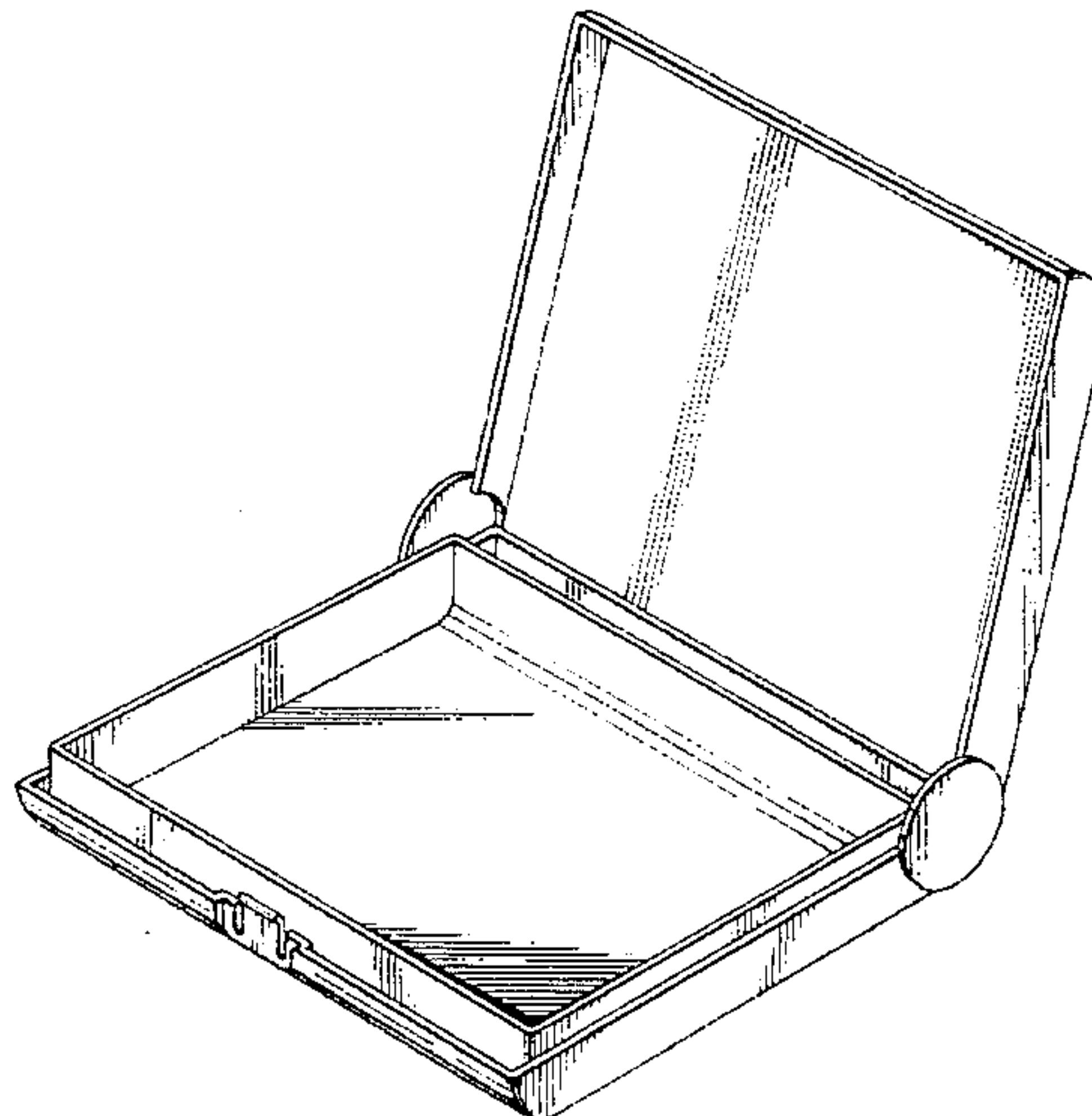
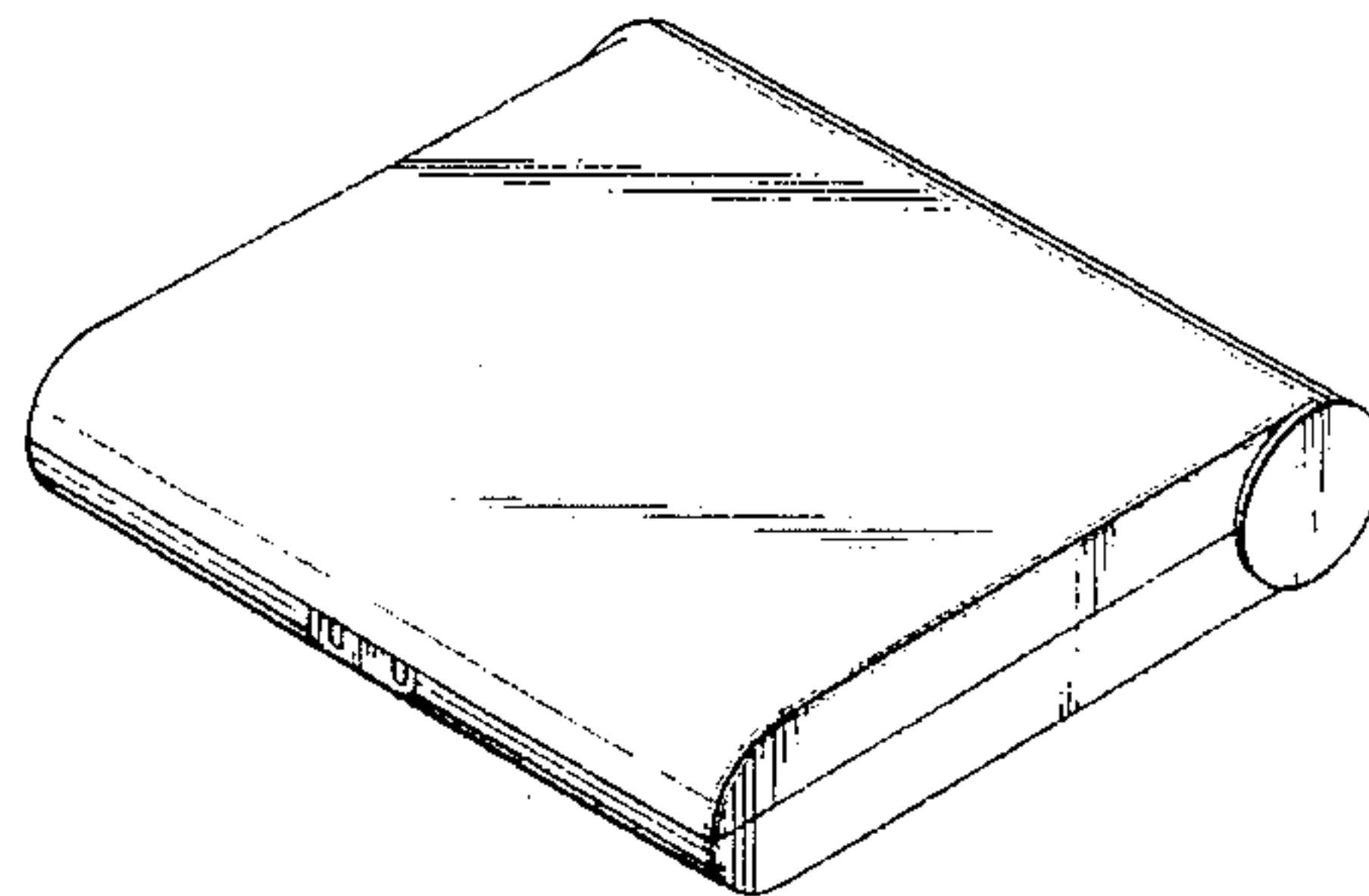
FIG. 7 is a view from above of the open container for smoking articles in an open position;

FIG. 8 is a front view of the container for smoking articles, in an open position;

FIG. 9 is a side view of the open container for smoking articles seen in FIG. 6 with the opposite side being a mirror image; and,

FIG. 10 is a cross-sectional side view along lines 10—10 of FIG. 7.

**1 Claim, 5 Drawing Sheets**



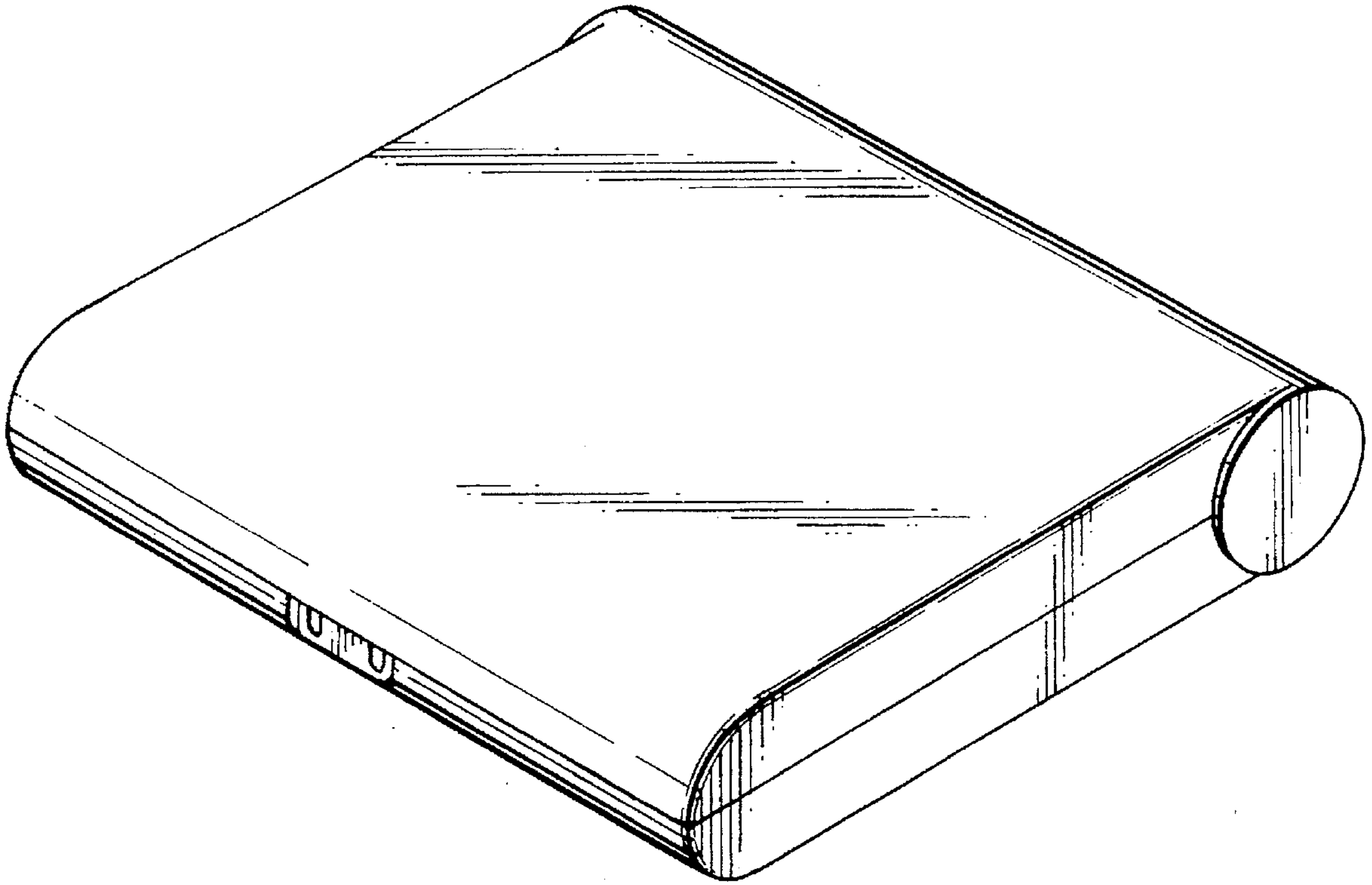


Fig. 1.

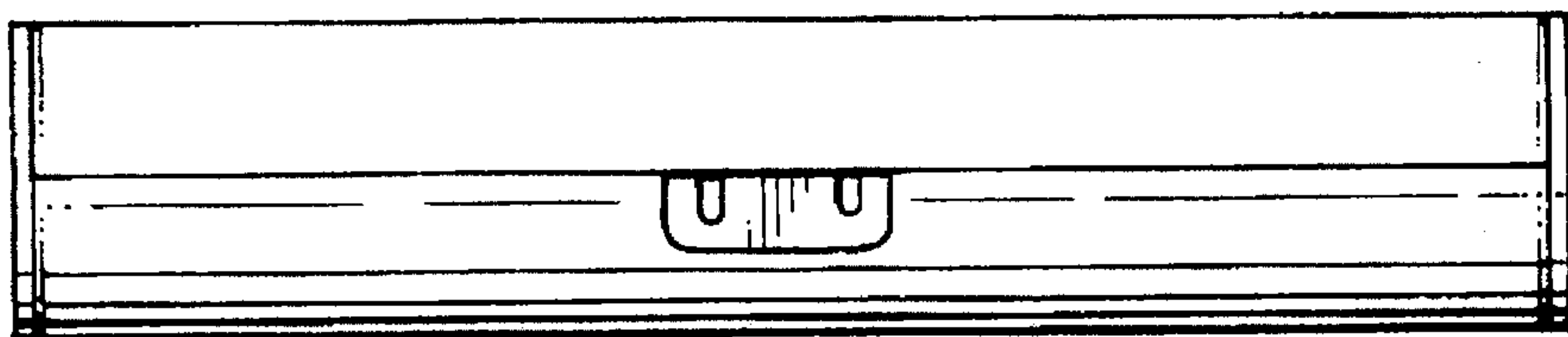


Fig. 2.

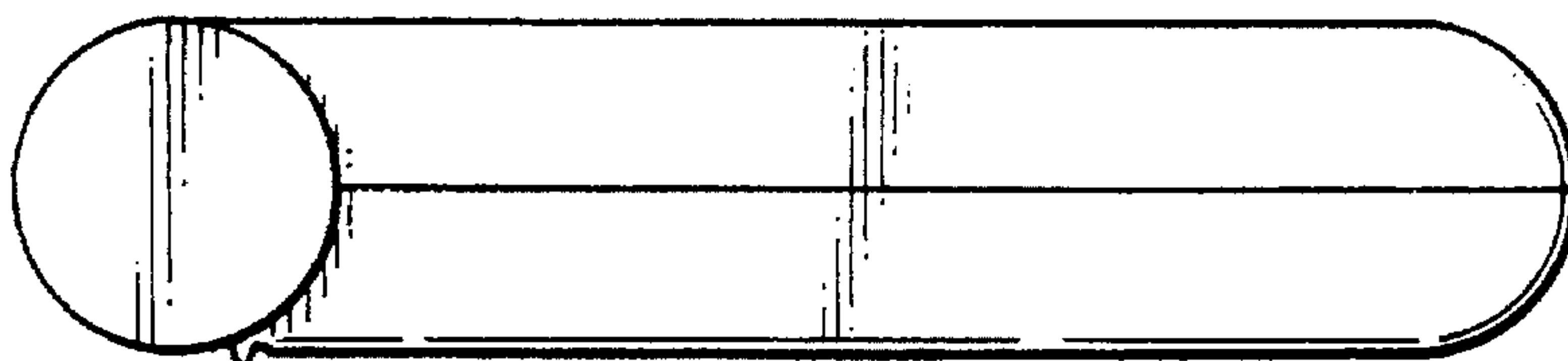


Fig.3.

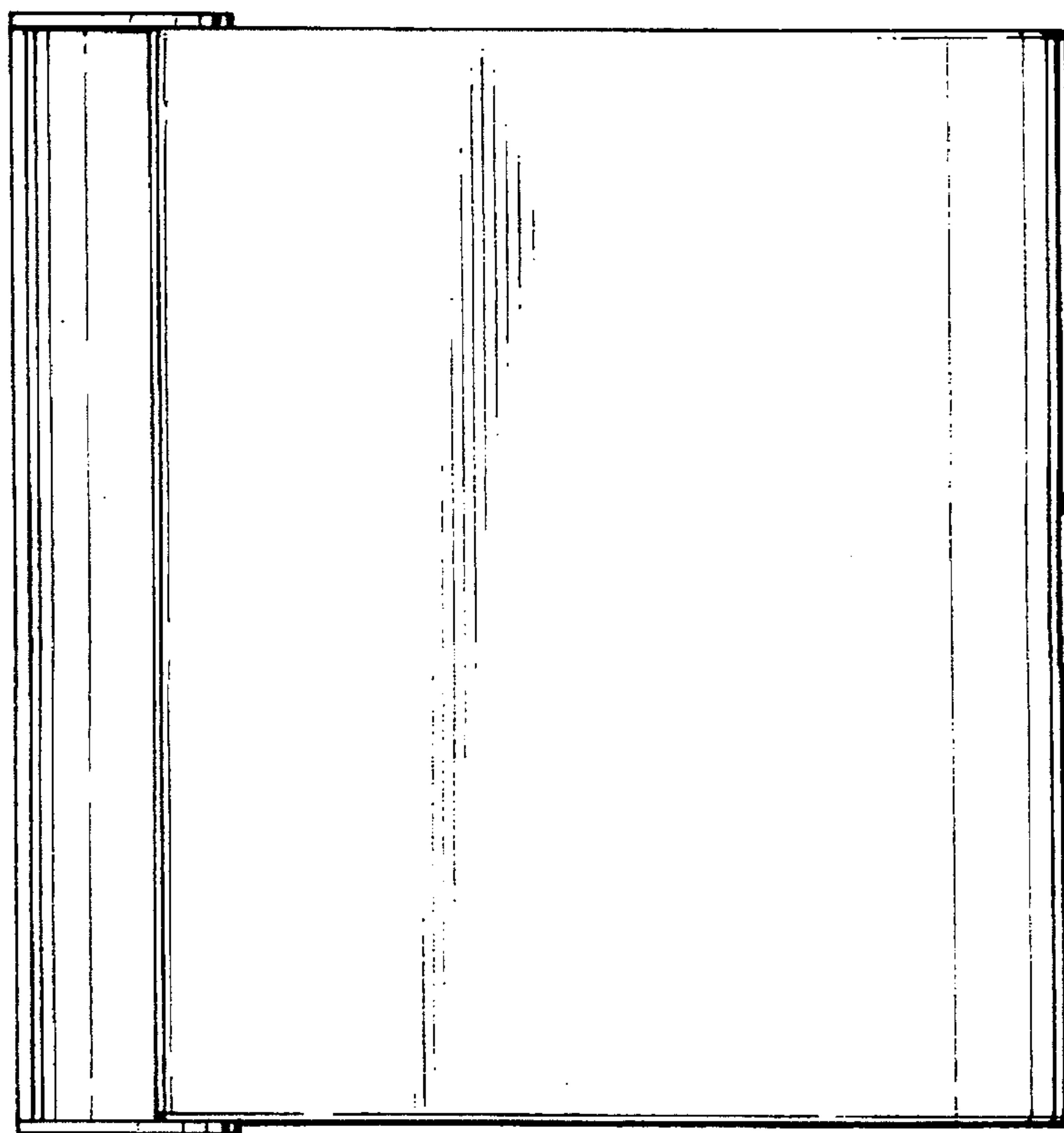


Fig.4.

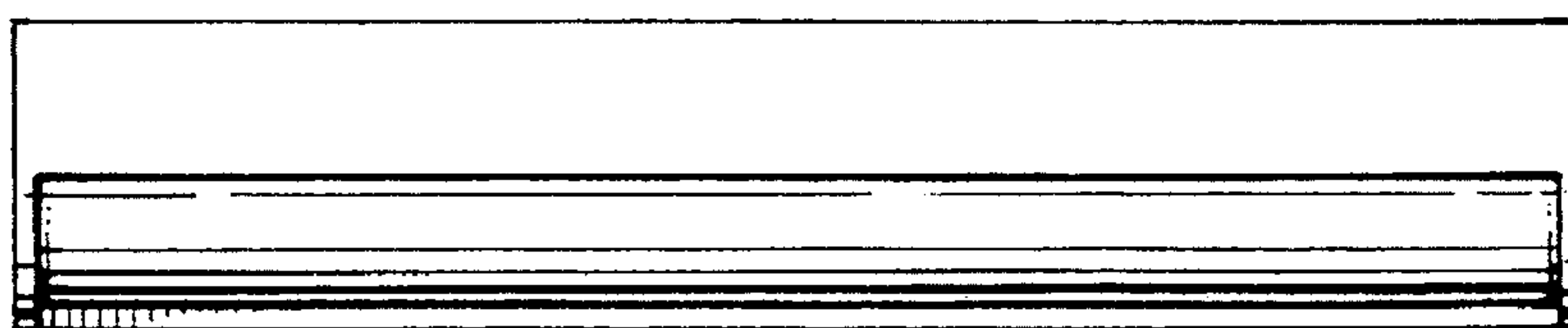
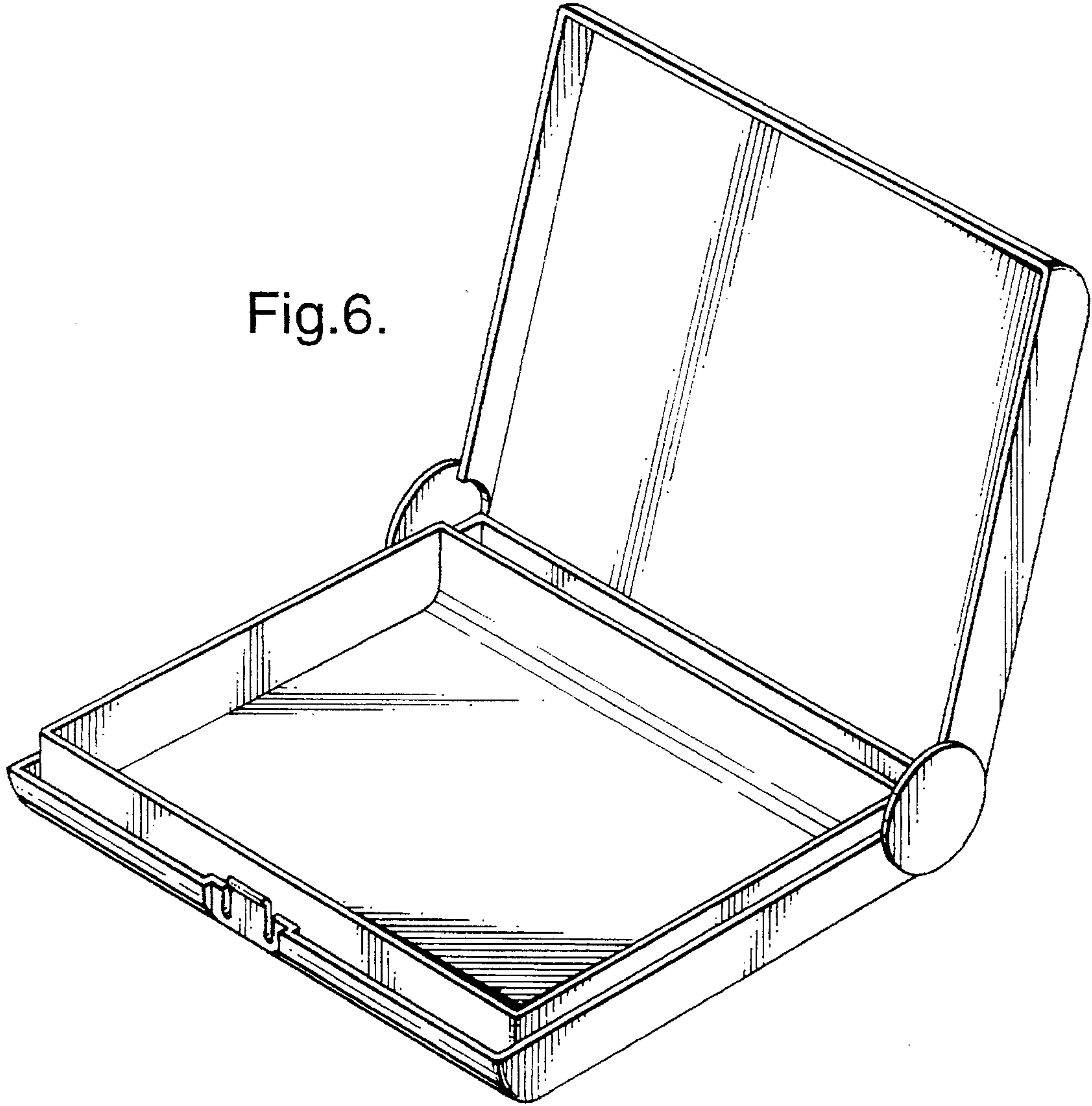


Fig.5.

Fig.6.





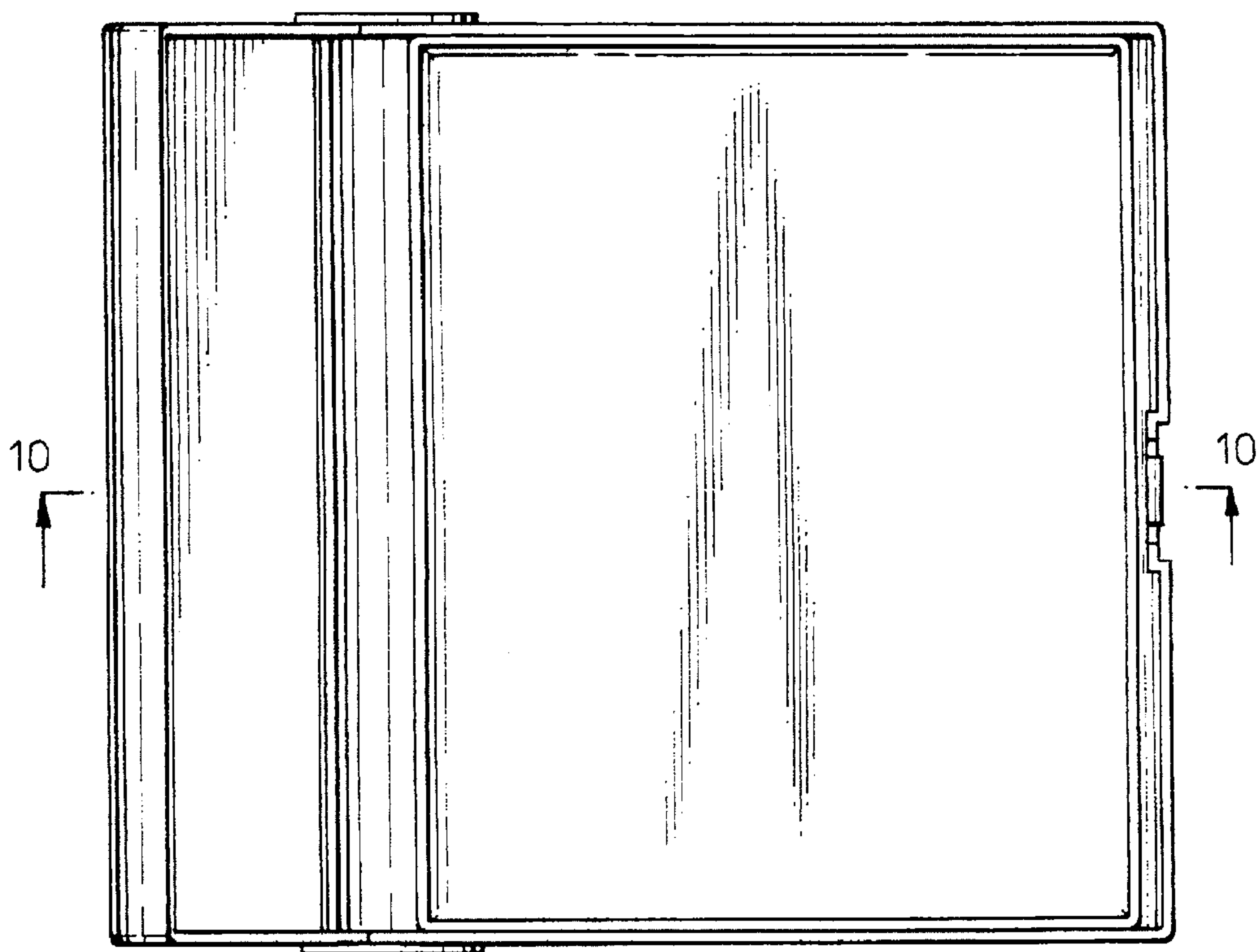


Fig.7.

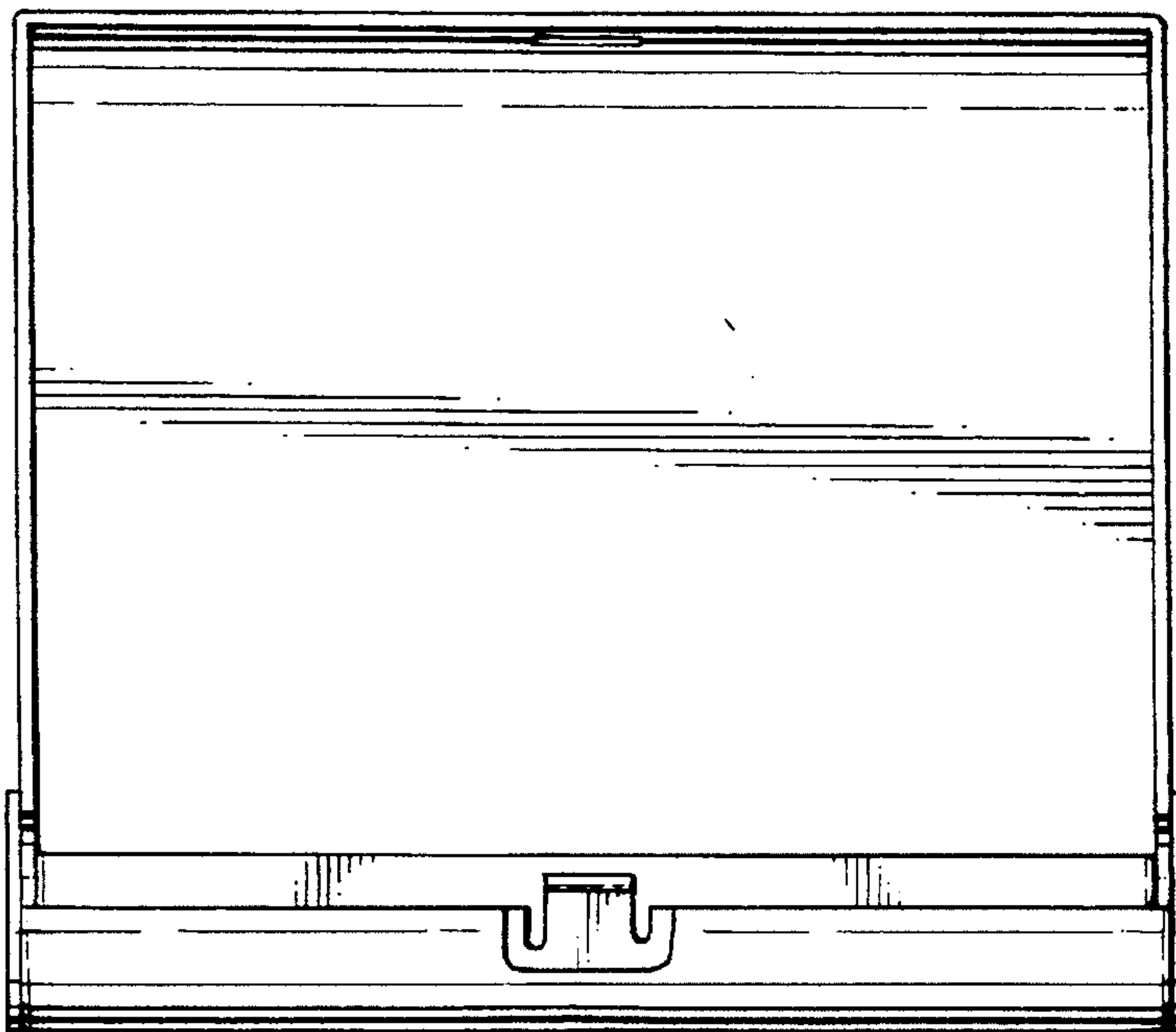


Fig.8.

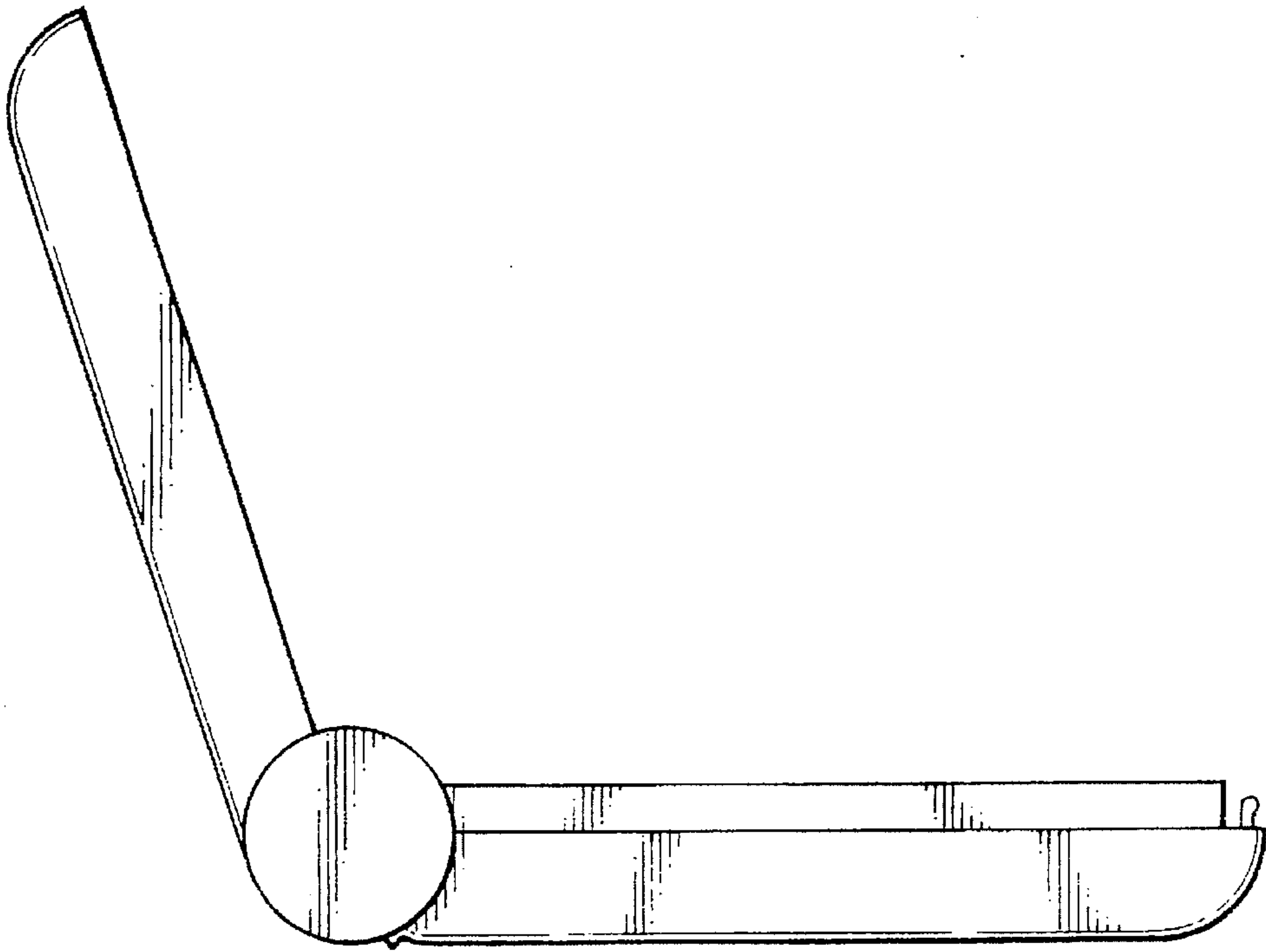


Fig.9.

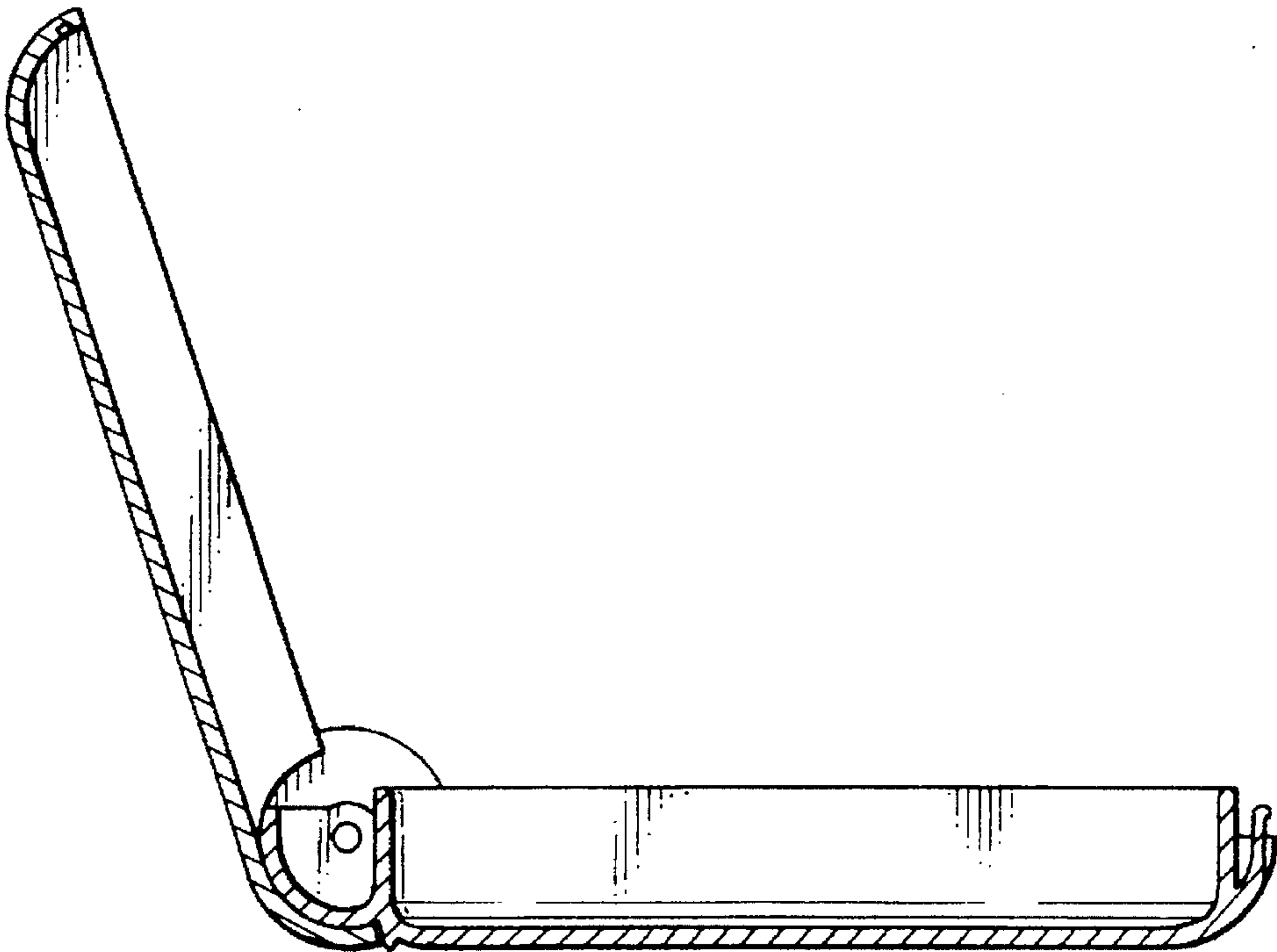


Fig.10.