



US00D379007S

# United States Patent [19]

[11] Patent Number: **Des. 379,007**

Obata

[45] Date of Patent: **\*\*Apr. 29, 1997**

[54] **AUDIO CASSETTE TAPE PLAYER  
COMBINED WITH CLOCK AND RADIO  
RECEIVER**

[57] **CLAIM**

[75] Inventor: **Shinichi Obata**, Saitama, Japan

The ornamental design for an audio cassette tape player combined with clock and radio receiver, as shown and described.

[73] Assignee: **Sony Corporation**, Tokyo, Japan

[\*\*] Term: **14 Years**

### DESCRIPTION

[21] Appl. No.: **47,516**

FIG. 1 is a top plan view of an audio cassette tape player combined with clock and radio receiver showing my new design;

[22] Filed: **Dec. 6, 1995**

[52] U.S. Cl. .... **D14/162**; D14/168

FIG. 2 is a front elevational view thereof;

[58] **Field of Search** ..... D10/2, 15; D14/124,  
D14/160-168, 170-171, 188, 192-198,  
217, 257, 260, 299; 455/344, 347, 350,  
351

FIG. 3 is a right-side elevational view thereof;

FIG. 4 is a left-side elevational view thereof;

[56] **References Cited**

#### U.S. PATENT DOCUMENTS

D. 329,851	9/1992	Yoo	.....	D14/162 X
D. 350,753	9/1994	Oka	.....	D14/168
D. 362,437	9/1995	Boyd	.....	D14/171
D. 365,823	1/1996	Borgonovo	.....	D14/168
D. 367,053	2/1996	Ogasawara et al.	.....	D14/163

FIG. 5 is a rear elevational view thereof;

FIG. 6 is a bottom plan view thereof;

#### OTHER PUBLICATIONS

Sony Style catalog, Spring/Summer 1993, p. 48, CFD-20 CD/Radio/Cassette Recorder.

FIG. 7 is a top, front and right-side perspective view thereof; and,

FIG. 8 is a top, front and right-side perspective view thereof in operating condition.

*Primary Examiner*—Sandra L. Morris  
*Assistant Examiner*—Nanda Bondade  
*Attorney, Agent, or Firm*—Cooper & Dunham LLP

**1 Claim, 4 Drawing Sheets**

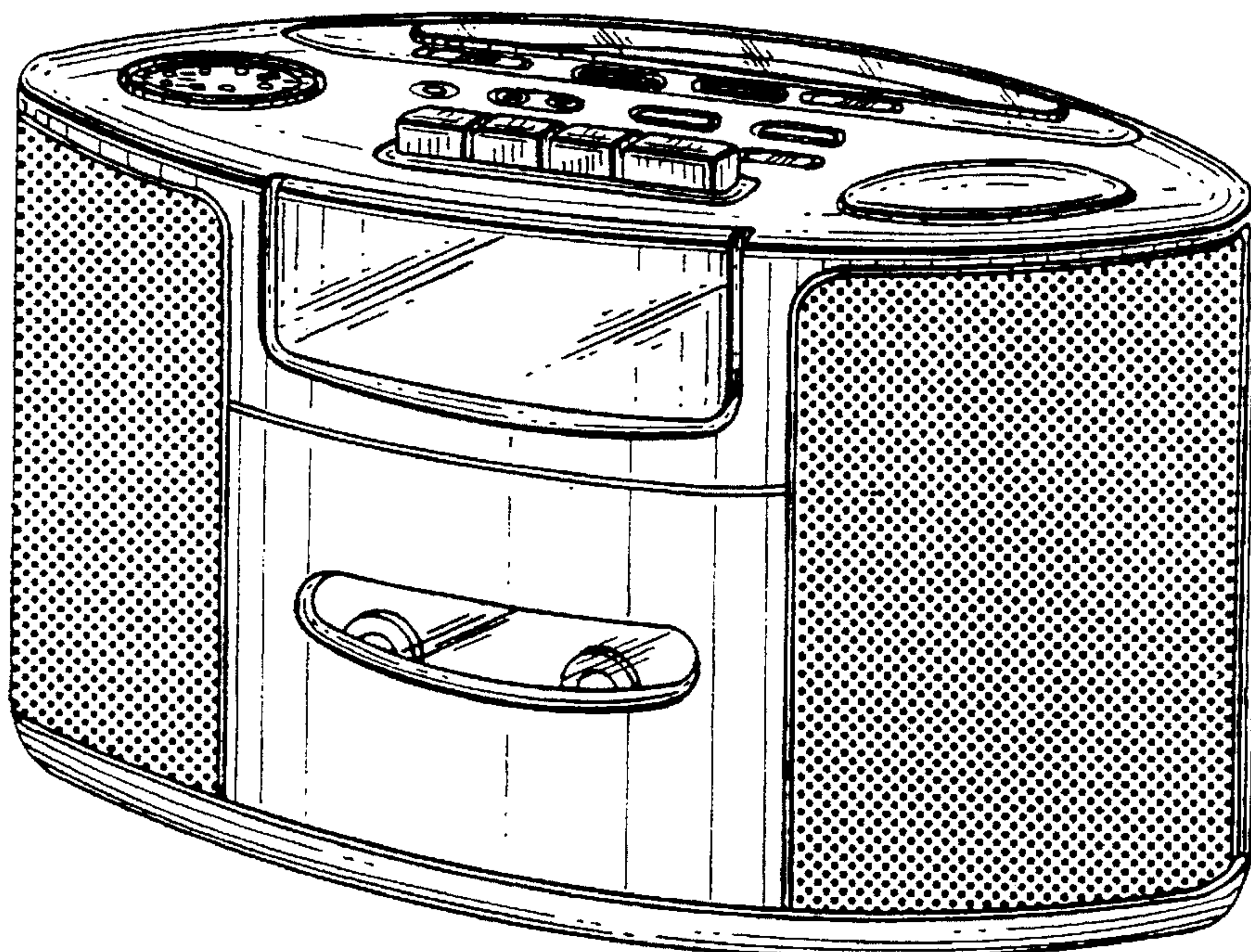




FIG. 1

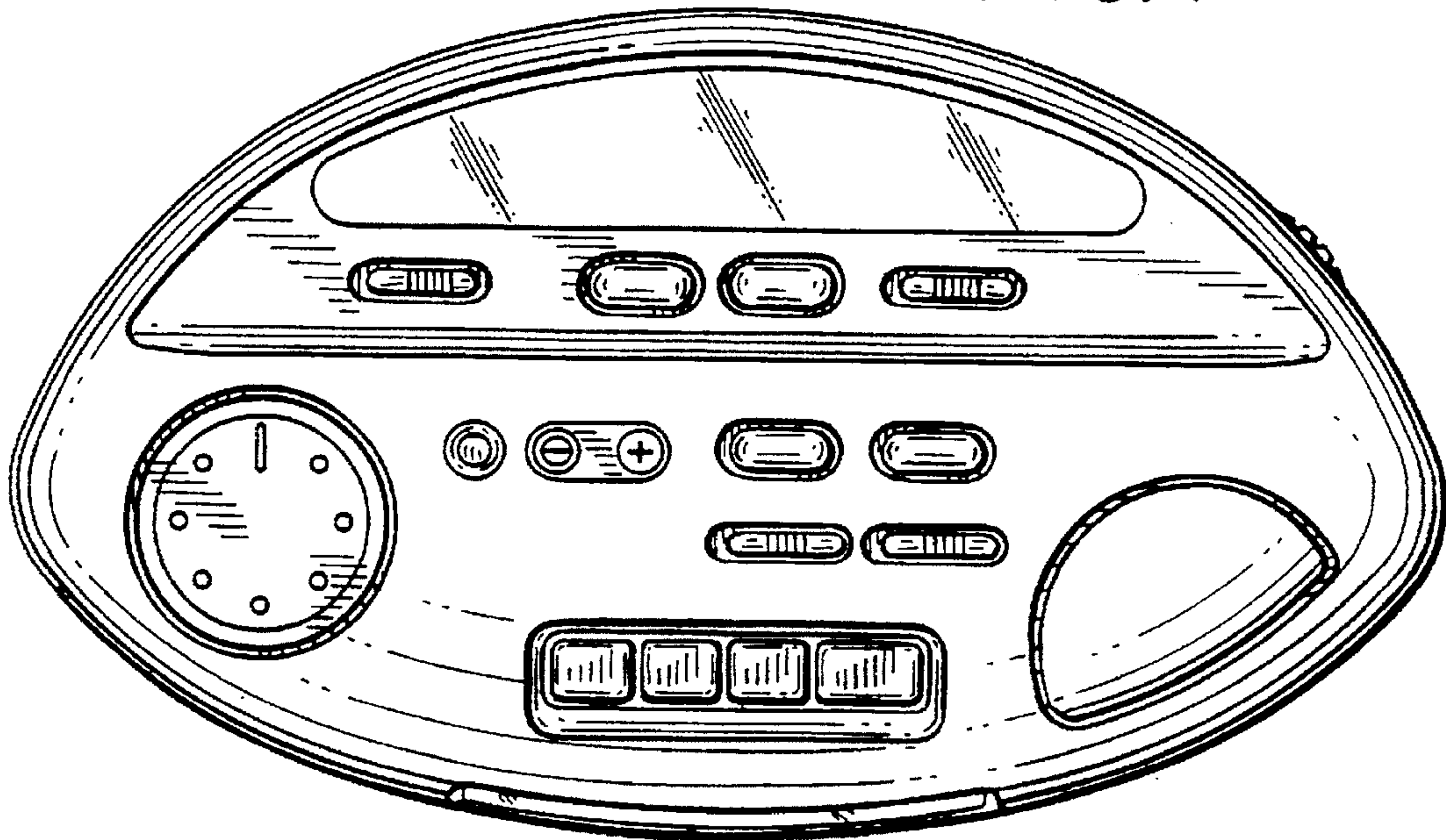


FIG. 2

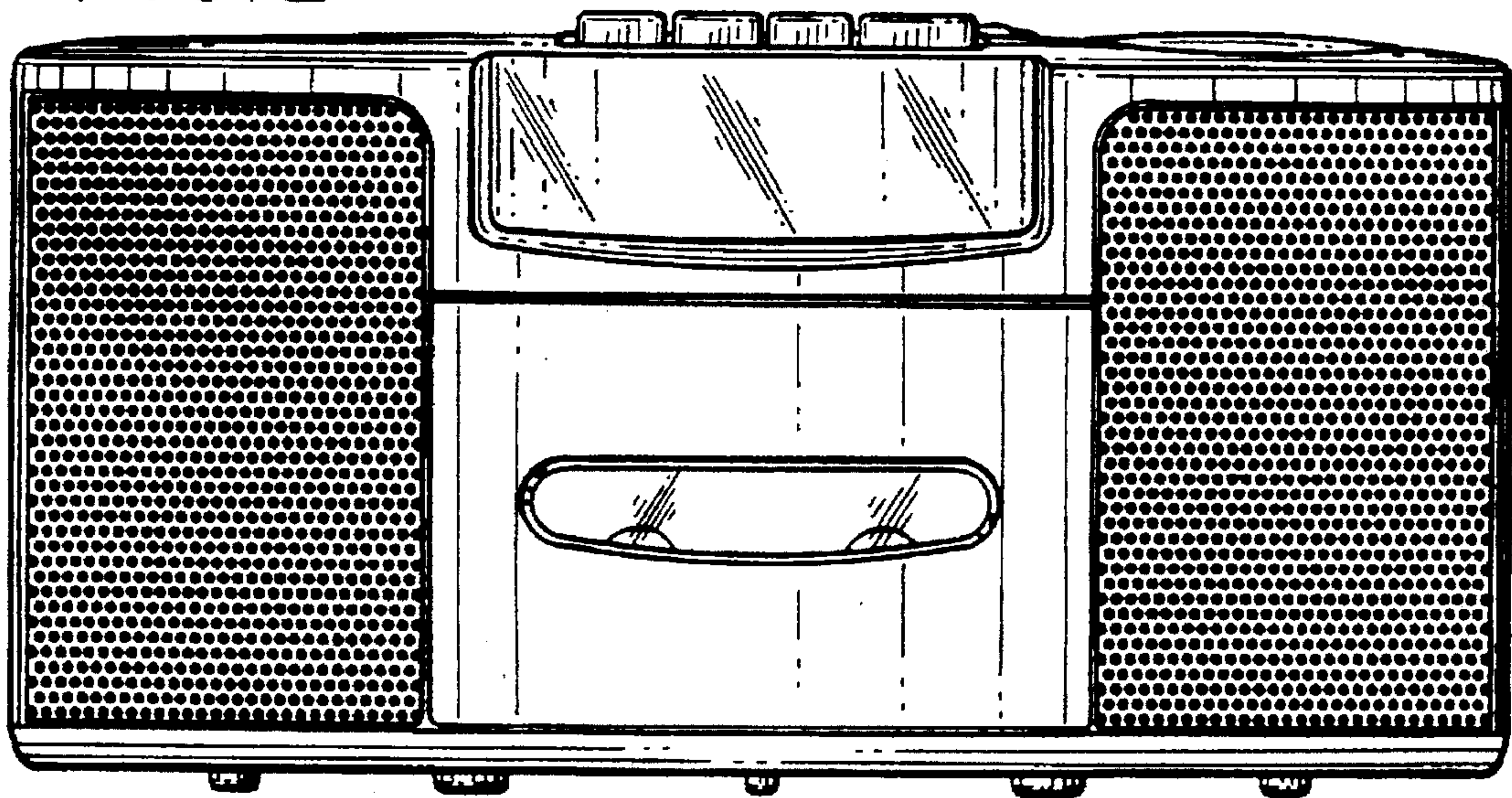


FIG. 3

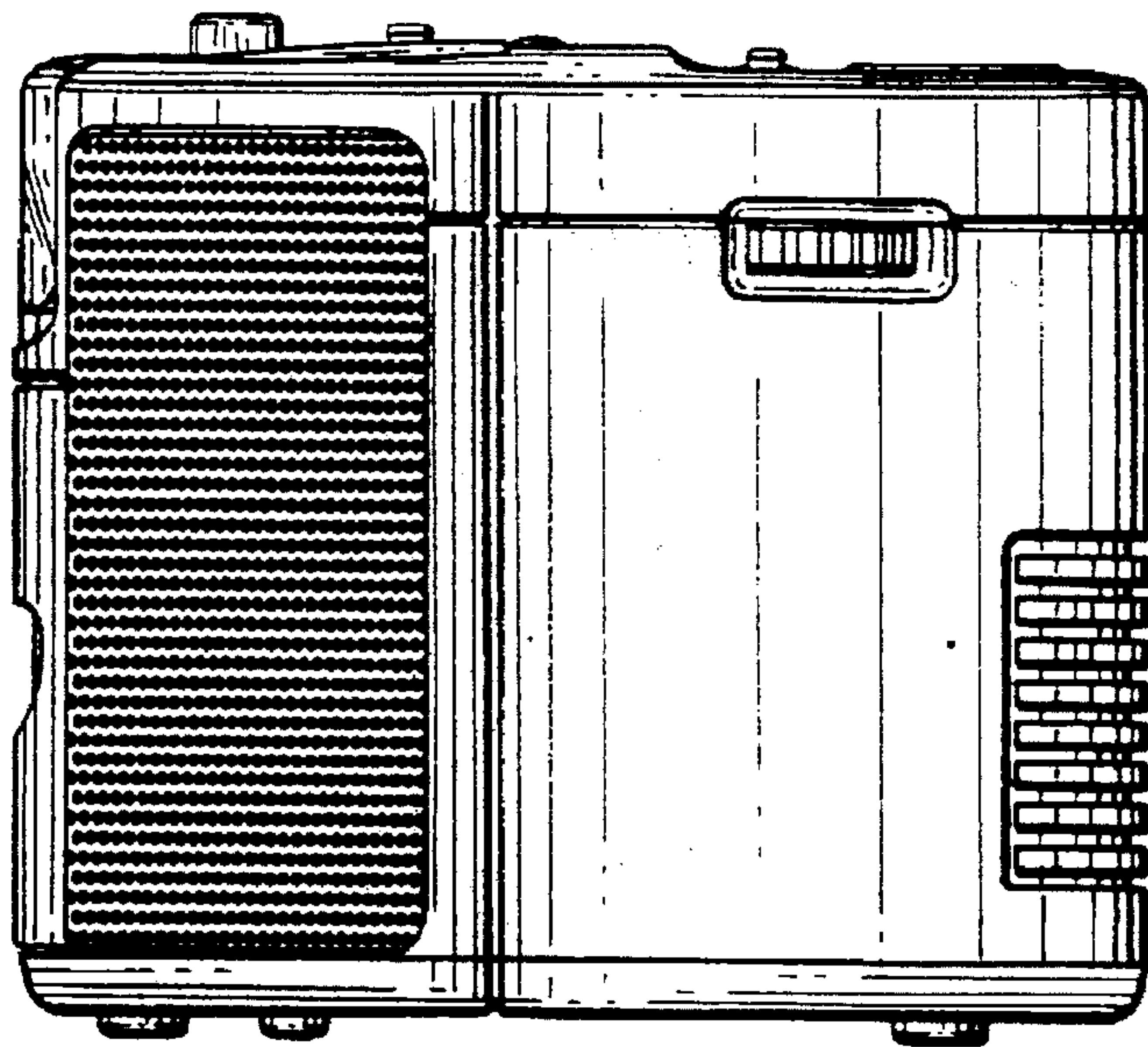
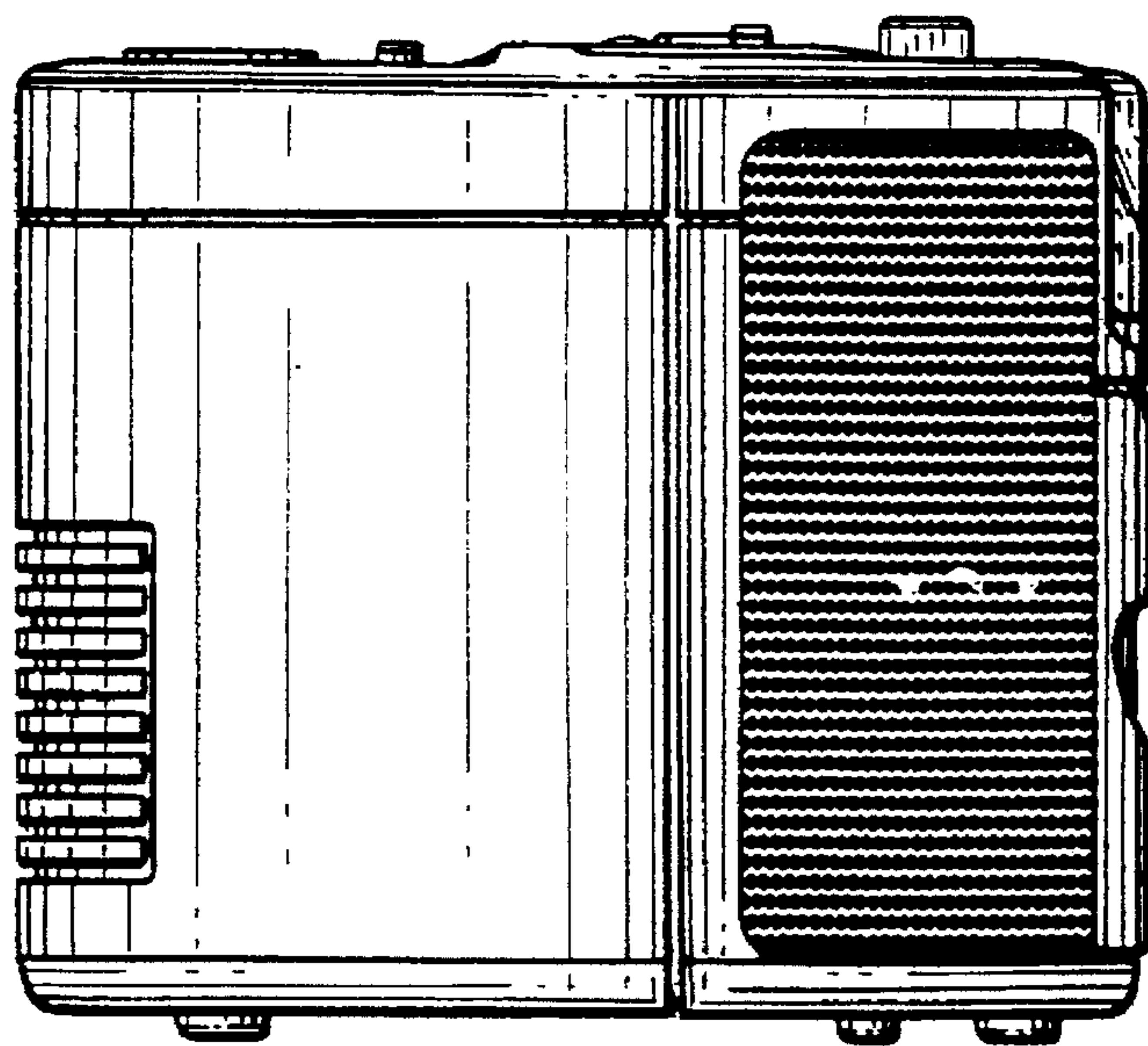
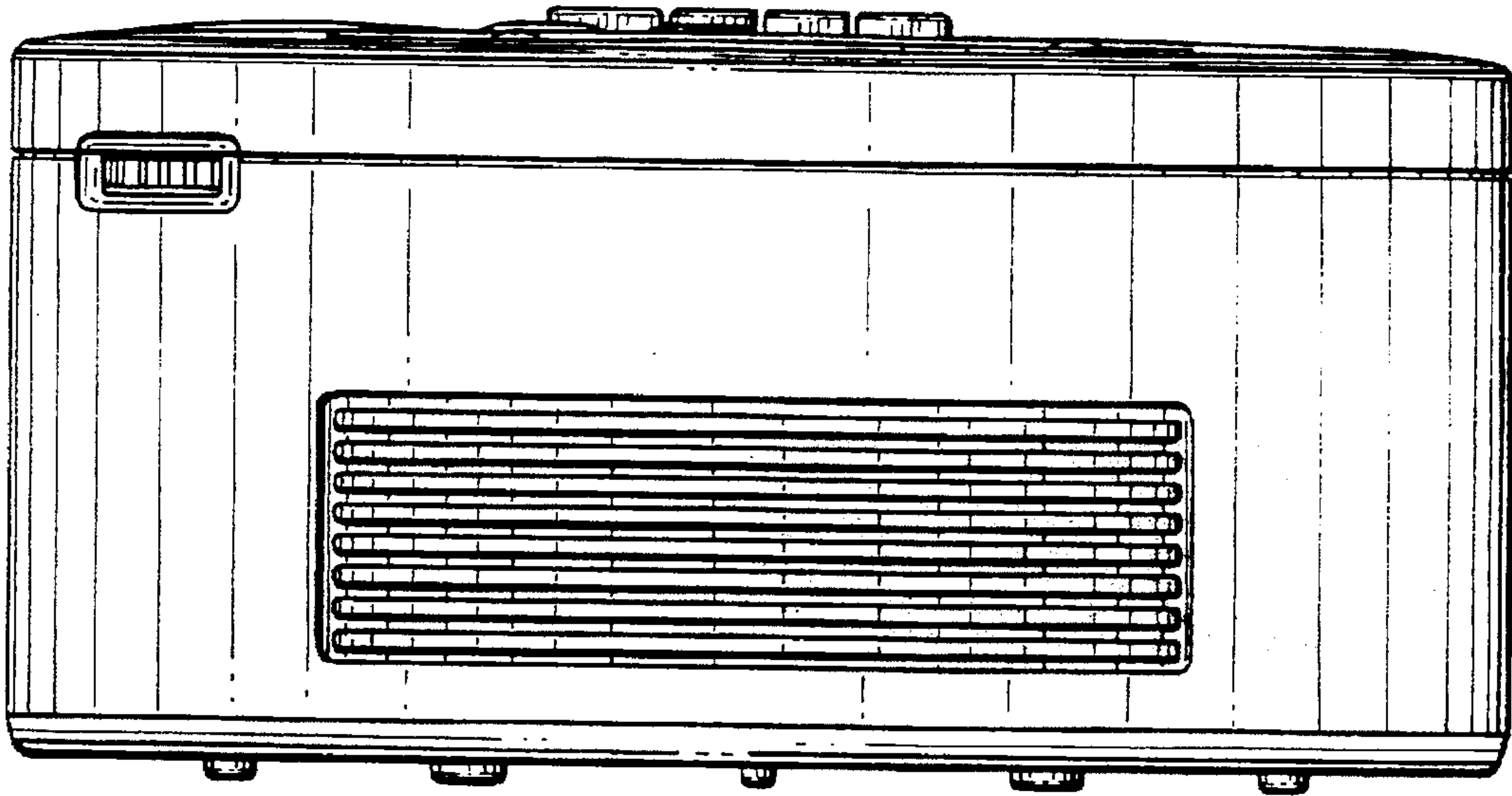


FIG. 4



*FIG. 5*



*FIG. 6*

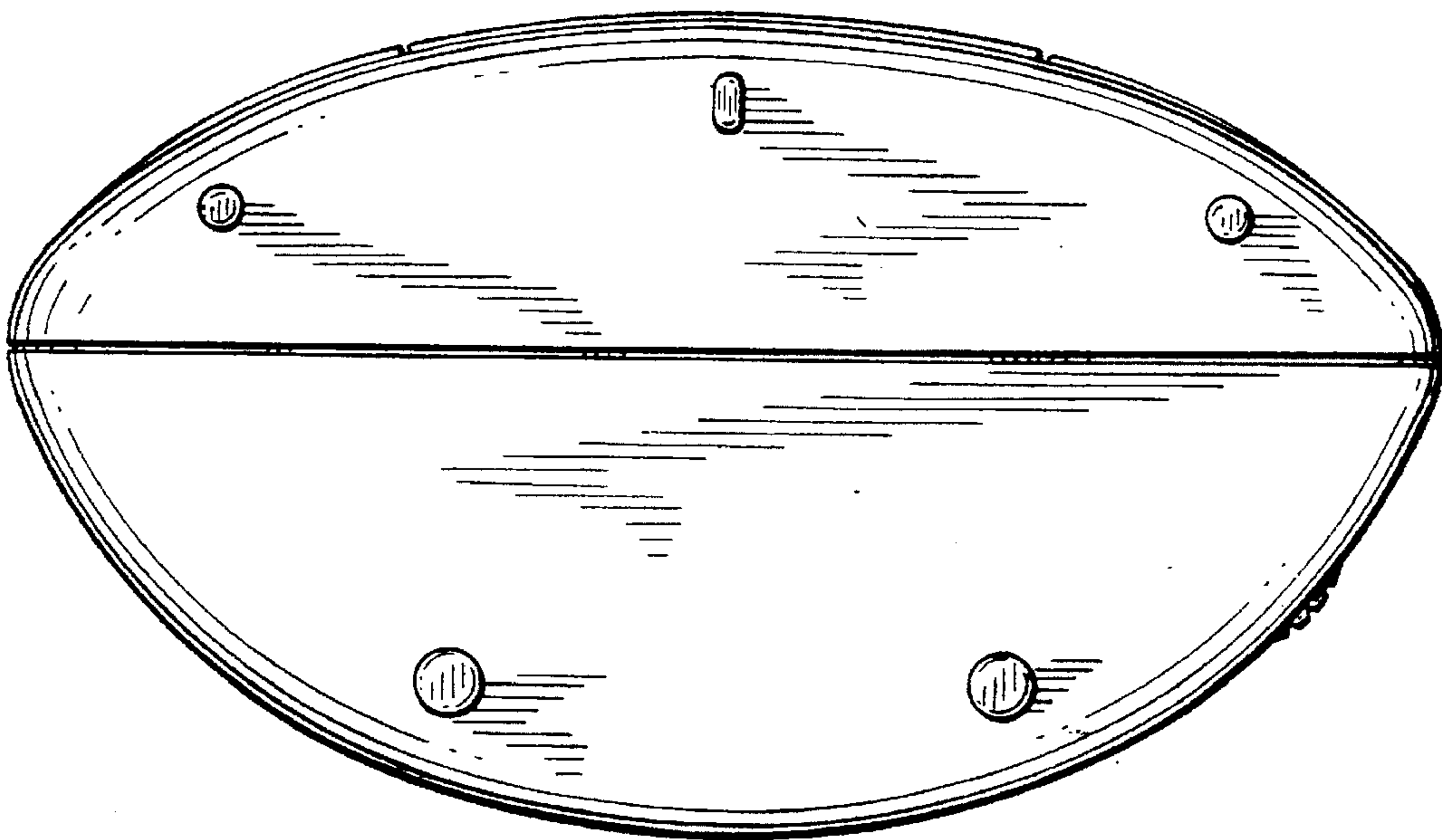




FIG. 7

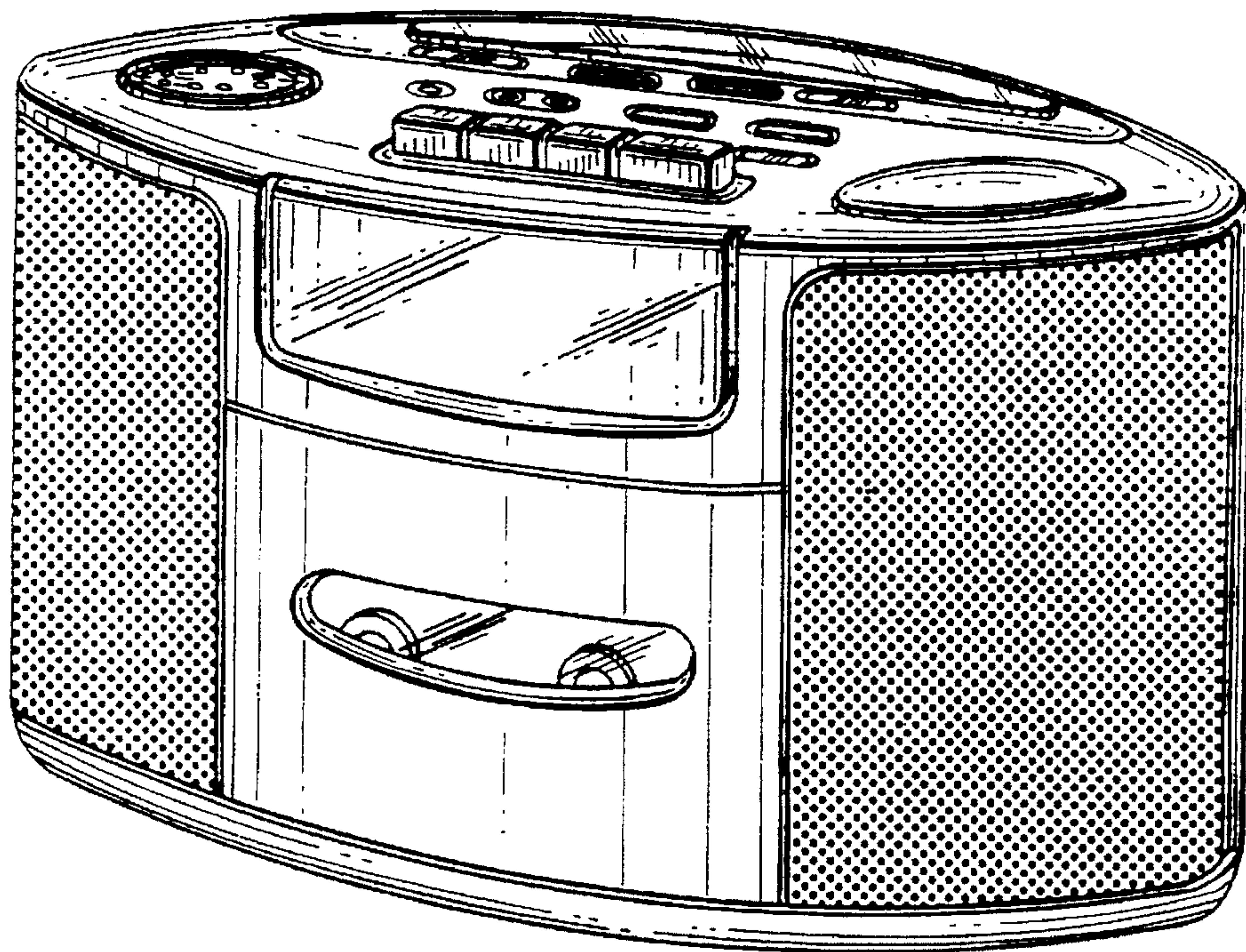


FIG. 8

