



US00D378996S

# United States Patent [19]

[11] Patent Number: **Des. 378,996**

Ysker

[45] Date of Patent: **\*\*Apr. 29, 1997**

[54] **MOTORCYCLE FRAME**

5,284,221 2/1994 Warre ..... 180/311  
5,330,028 7/1994 Harda et al. .... 180/219

[75] Inventor: **John A. Ysker**, Minneapolis, Minn.

*Primary Examiner*—Melody N. Brown  
*Attorney, Agent, or Firm*—Nawrocki, Rooney & Sivertson, P.A.

[73] Assignee: **Thunderbolt Enterprises, Inc.**,  
Minneapolis, Minn.

[\*\*] Term: **14 Years**

## [57] CLAIM

[21] Appl. No.: **52,319**

The ornamental design for a motorcycle frame, as shown and described.

[22] Filed: **Apr. 3, 1996**

## DESCRIPTION

[52] U.S. Cl. .... **D12/110**

[58] Field of Search ..... D12/110, 107;  
280/215, 219

FIG. 1 is a perspective view of a motorcycle frame showing my new design;

FIG. 2 is a right side elevational view thereof;

FIG. 3 is a rear elevational view thereof;

FIG. 4 is a front elevational view thereof;

FIG. 5 is a top plan view thereof; and,

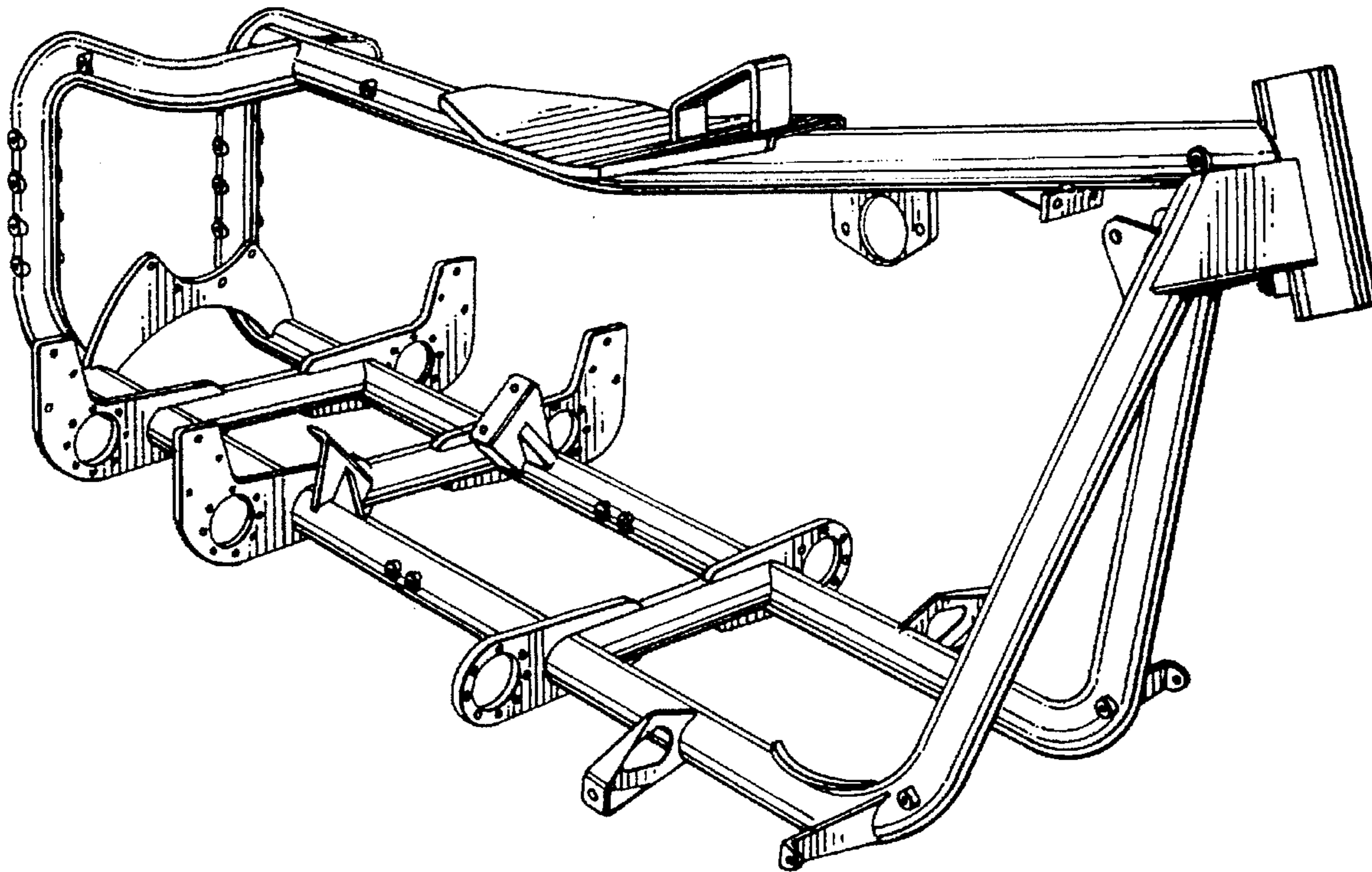
FIG. 6 is a bottom plan view thereof.

## [56] References Cited

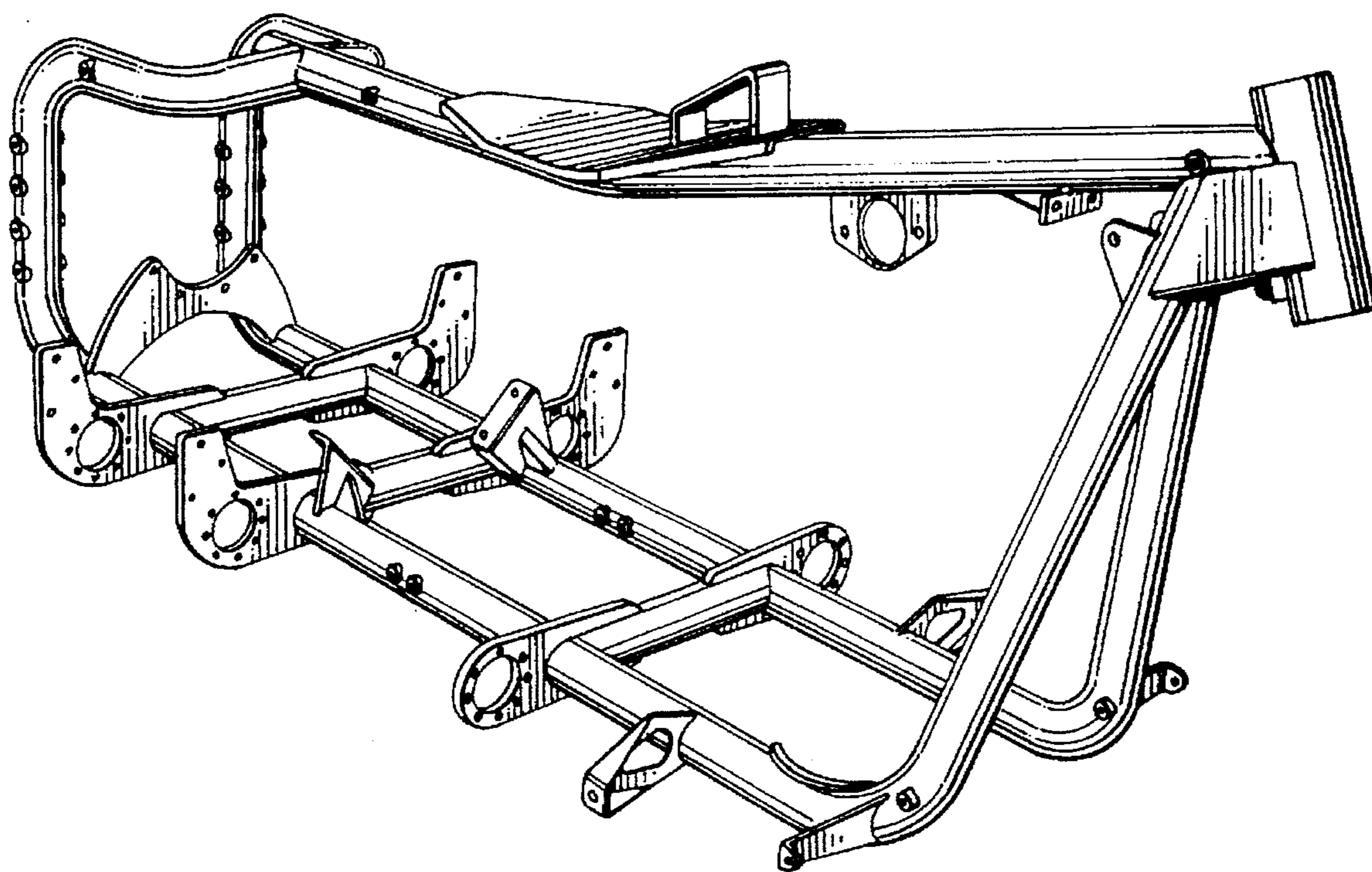
### U.S. PATENT DOCUMENTS

4,597,466	7/1986	Yamada	180/215
4,650,210	3/1987	Hirose et al.	180/215
4,674,589	6/1987	Zbigniew	180/215
4,735,275	4/1988	Tsukahara	180/215

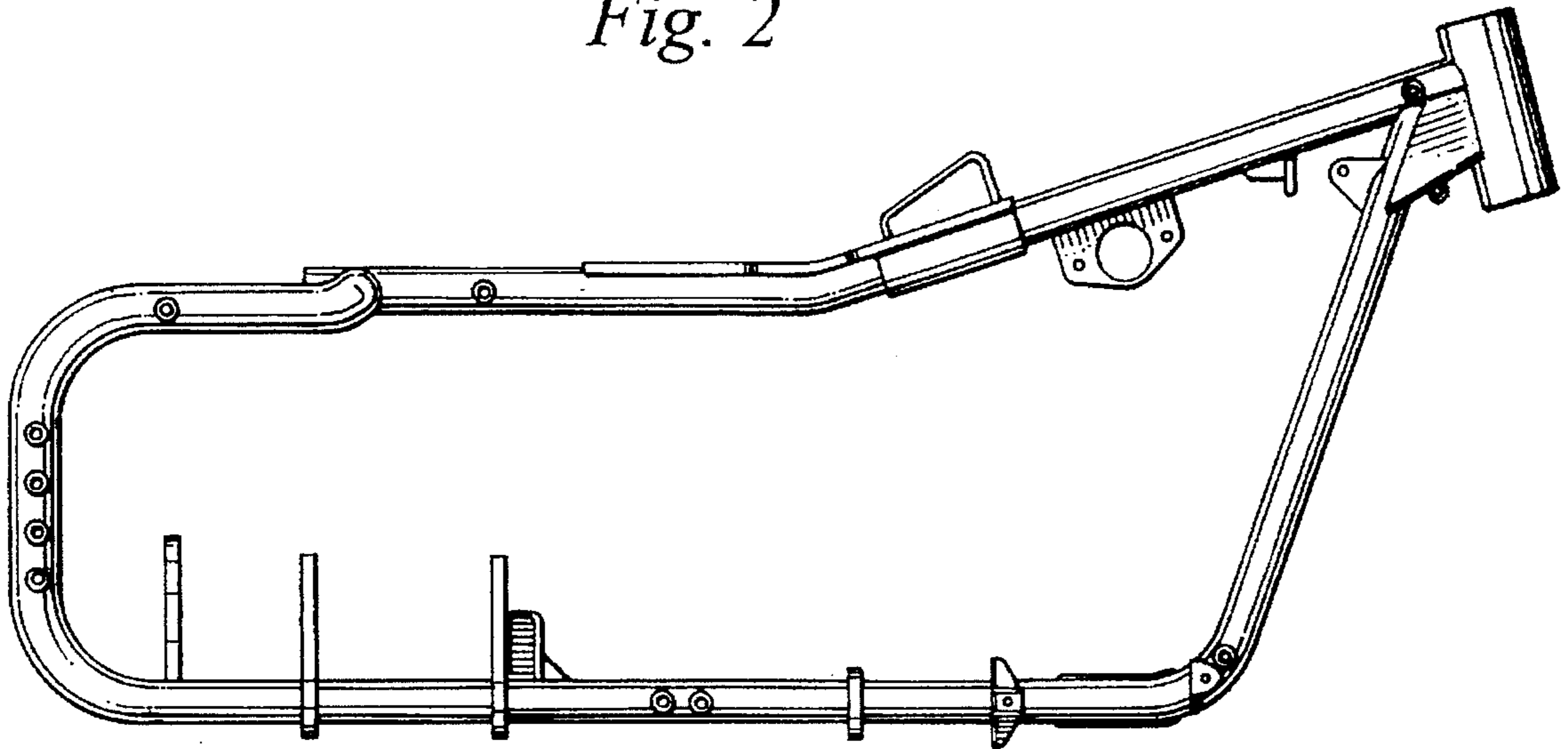
**1 Claim, 3 Drawing Sheets**



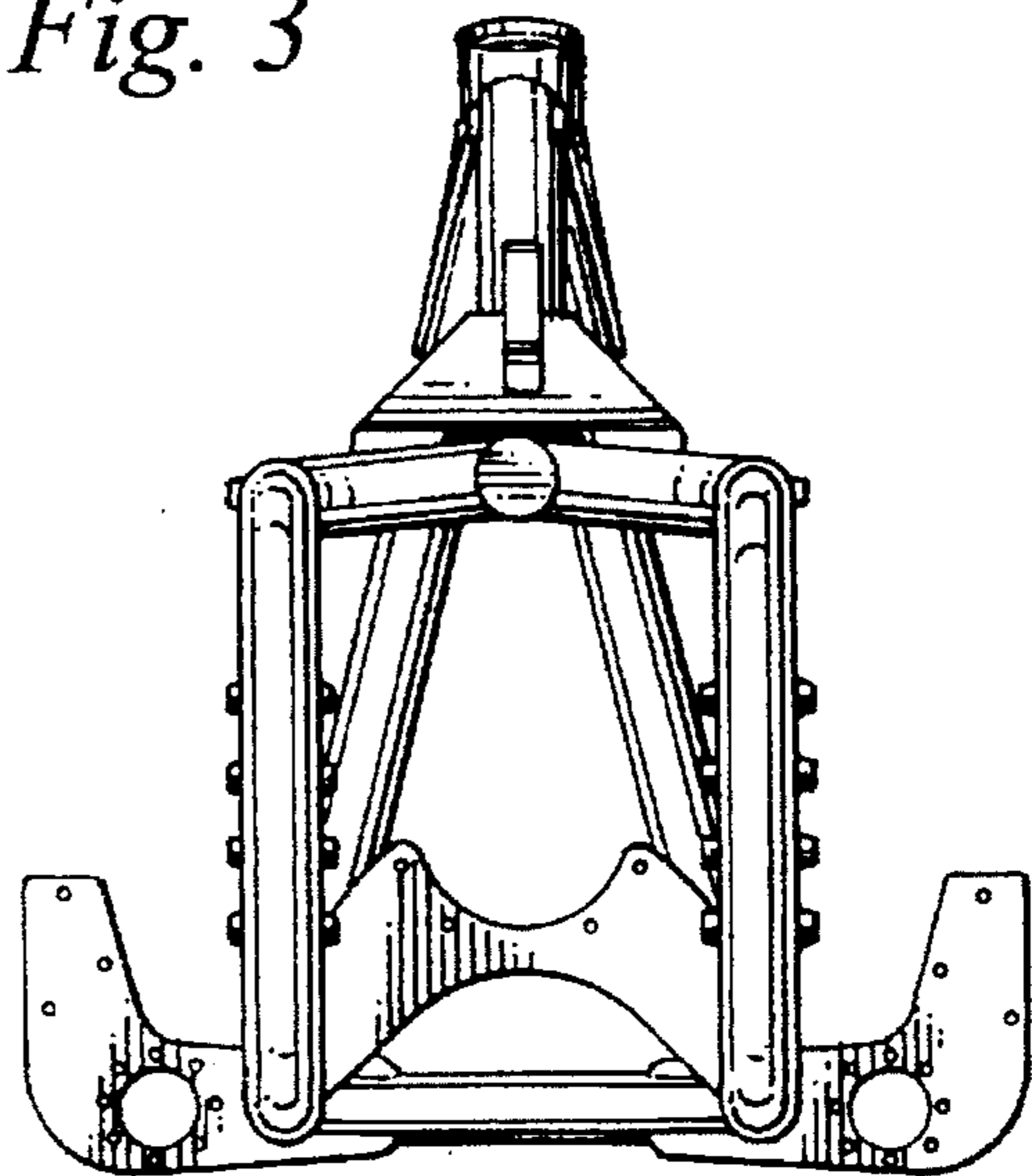
*Fig. 1*



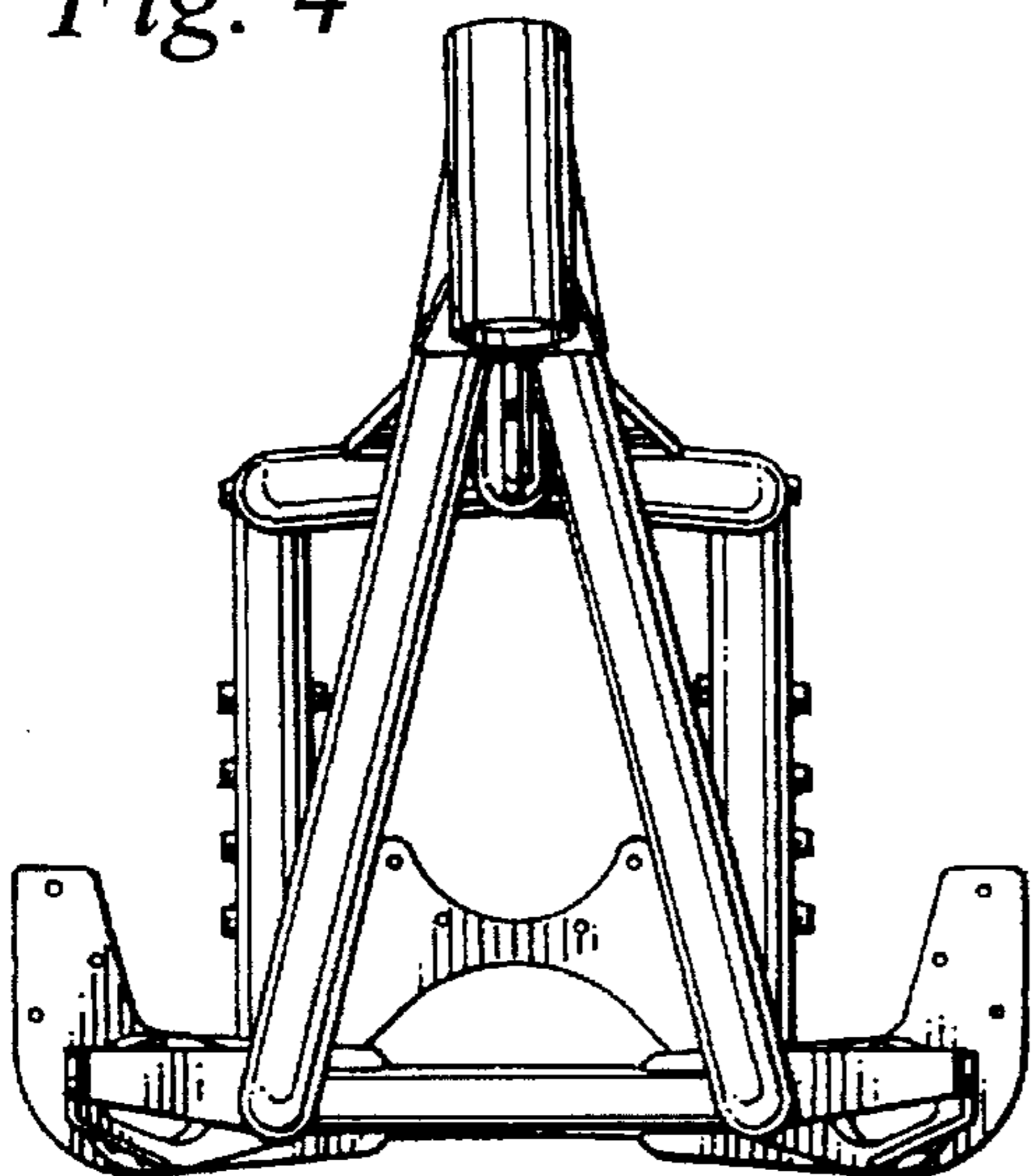
*Fig. 2*



*Fig. 3*

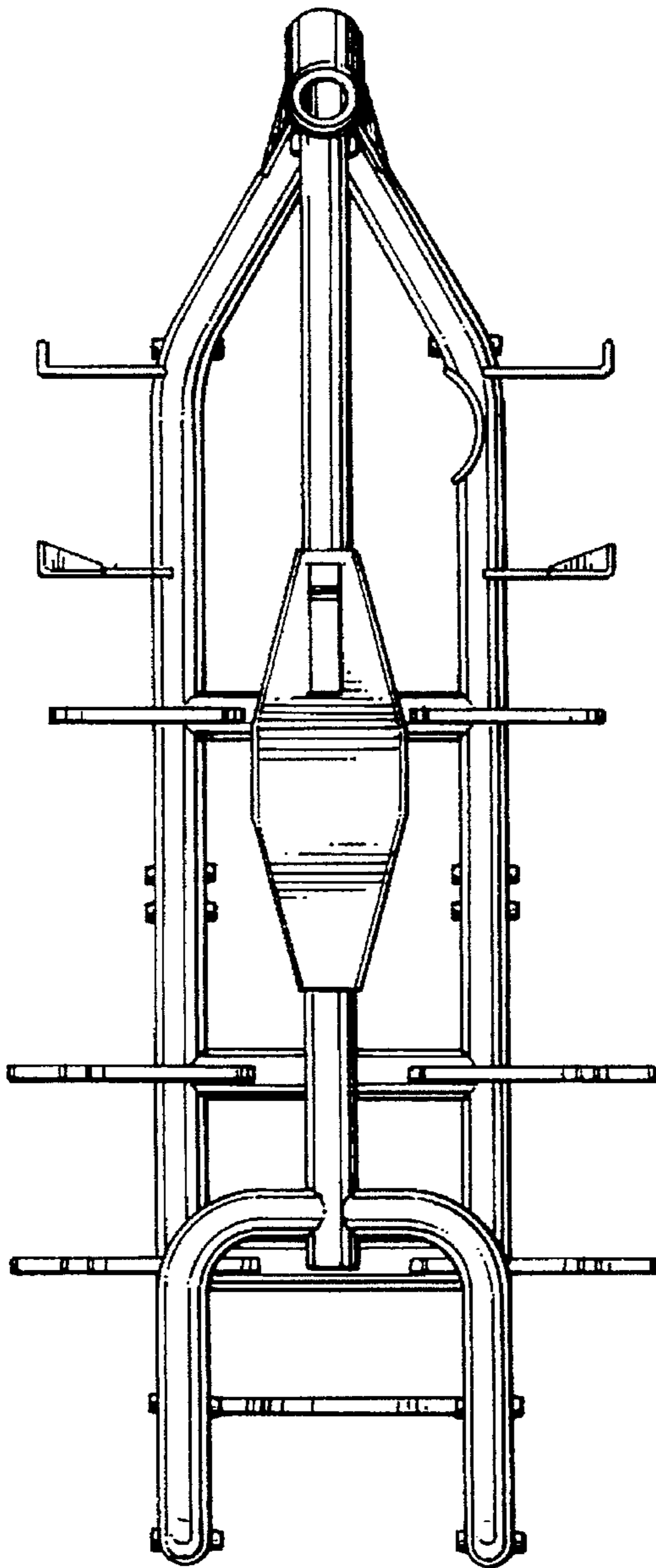


*Fig. 4*





*Fig. 5*



*Fig. 6*

