



US00D378993S

United States Patent [19]

[11] Patent Number: **Des. 378,993**

Norwood

[45] Date of Patent: ****Apr. 29, 1997**

[54] **ELLIPTICAL AIR HORN BELL**

[75] Inventor: **Timothy S. Norwood**, Denton, Tex.

[73] Assignee: **Paccar Inc.**, Bellevue, Wash.

[**] Term: **14 Years**

[21] Appl. No.: **34,750**

[22] Filed: **Feb. 13, 1995**

[52] U.S. Cl. **D10/120**

[58] Field of Search D10/116, 120,
D10/119, 121; 116/103, 112, 137 R, 147,
151, 149; 340/384.1, 384.3, 384.7, 388.1,
390.1, 391.1, 392.1, 392.2, 392.4

[56] **References Cited**

U.S. PATENT DOCUMENTS

D. 45,024	12/1913	Sparks	D10/120
D. 62,483	6/1923	Goldfarb	D10/120
D. 99,040	3/1936	McBroom	D10/120
D. 114,960	5/1939	Nielsen	D10/120
D. 235,747	7/1975	Sweany	D10/120
D. 269,417	6/1983	Shintaku	D10/120
D. 279,965	8/1985	Mikami	D10/120

OTHER PUBLICATIONS

A copy of a 1993 Hadley Products Systems & Accessories Catalog illustrating various air horns. Prior to Feb. 1995.
A copy of a Grover Products Company Air Horn Catalog. prior to Feb. 1995.

Primary Examiner—Marcus A. Jackson
Attorney, Agent, or Firm—Flehr, Hohbach, Test, Albritton & Herbert

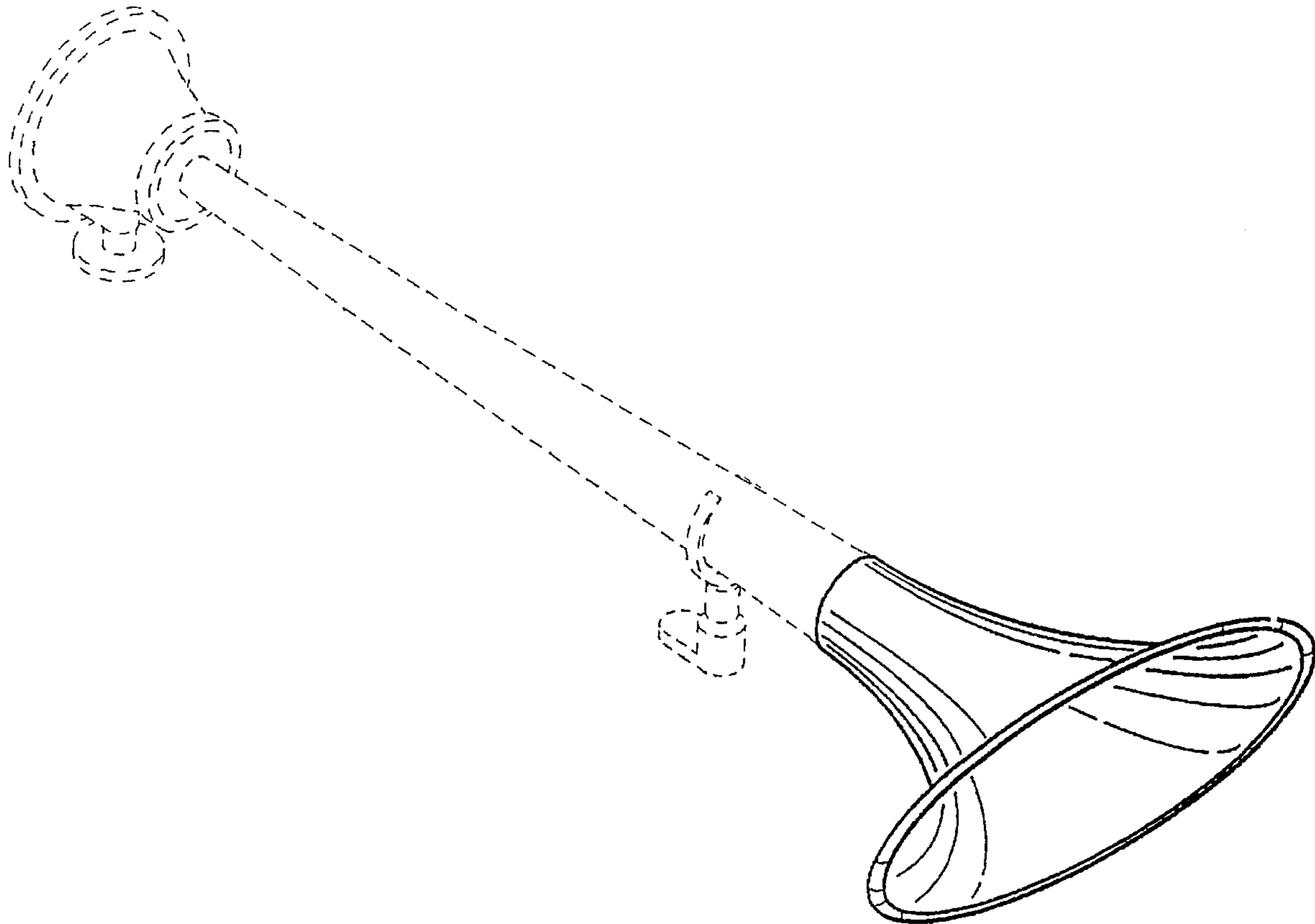
[57] **CLAIM**

The ornamental design for the elliptical air horn bell, as shown and described.

DESCRIPTION

FIG. 1 is a top perspective view of an elliptical air horn bell showing our new design mounted to an air horn with the broken line showing for illustrative purposes only and forming no part of the claimed design;
FIG. 2 is a front elevation view thereof;
FIG. 3 is a rear elevation view thereof;
FIG. 4 is a side elevation view of one side thereof, the other side being a mirror-image of the one side; and,
FIG. 5 is a top plan view of one side thereof, the other side being a mirror-image of the one side.

1 Claim, 2 Drawing Sheets



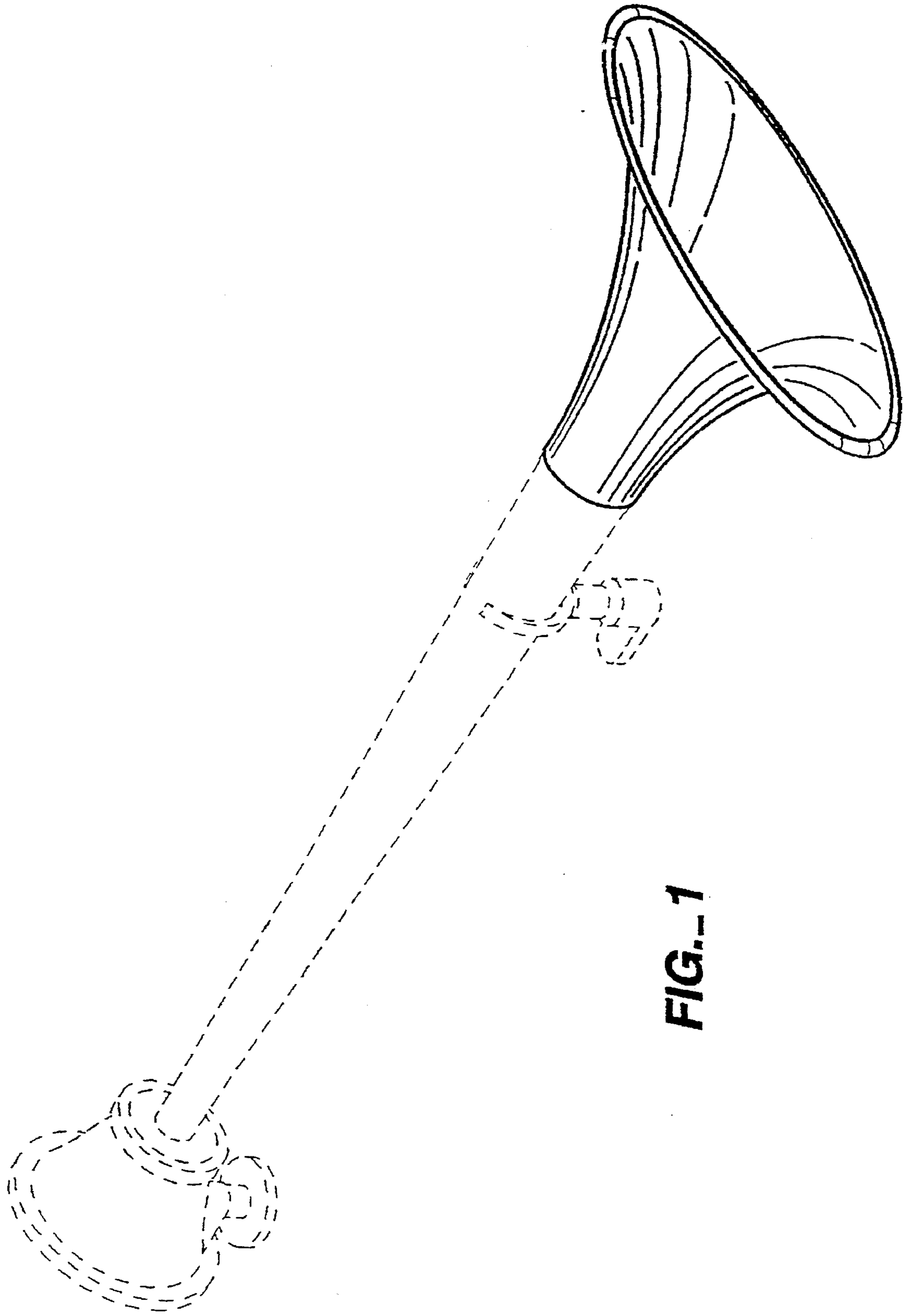


FIG. 1

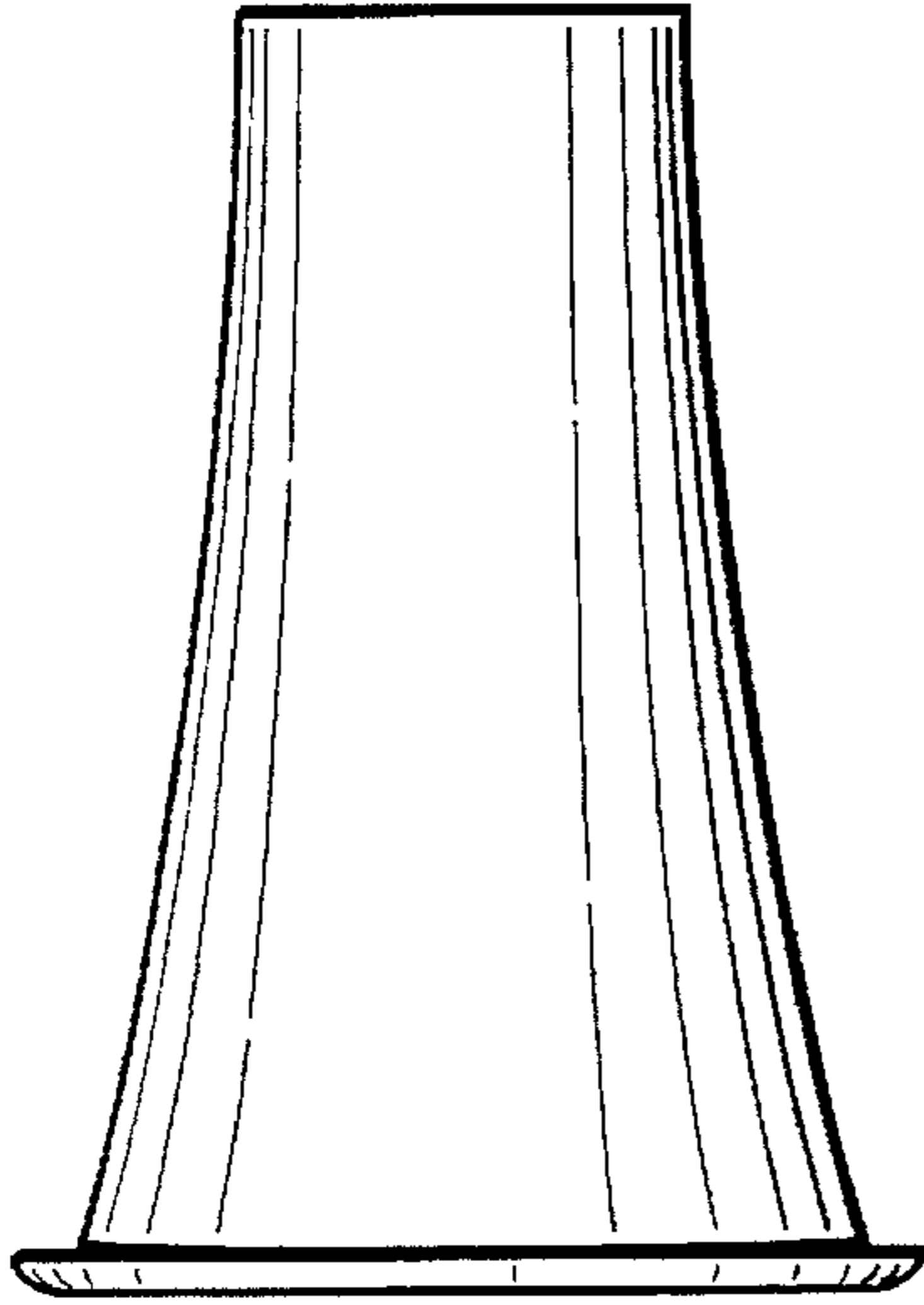


FIG. 4

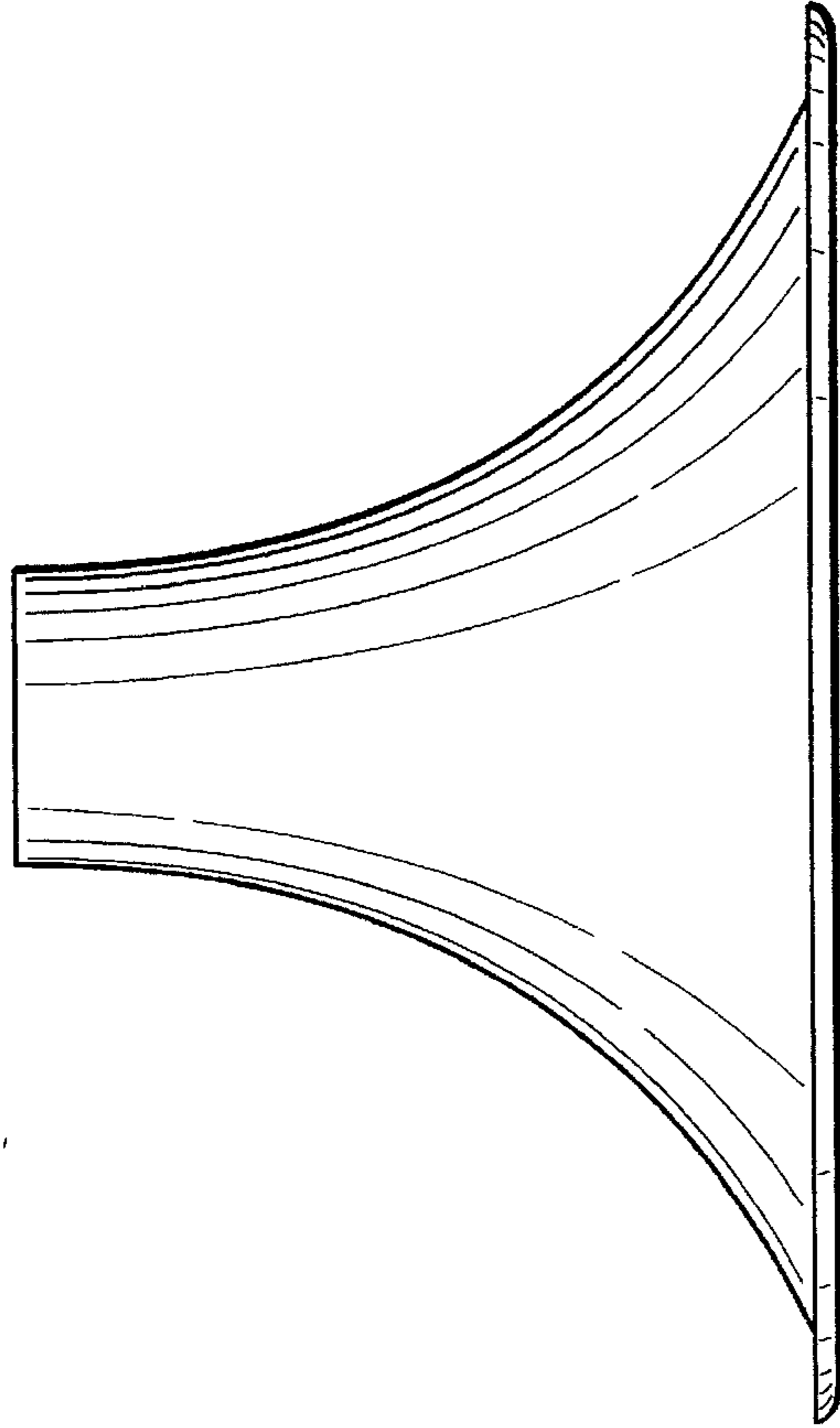


FIG. 5

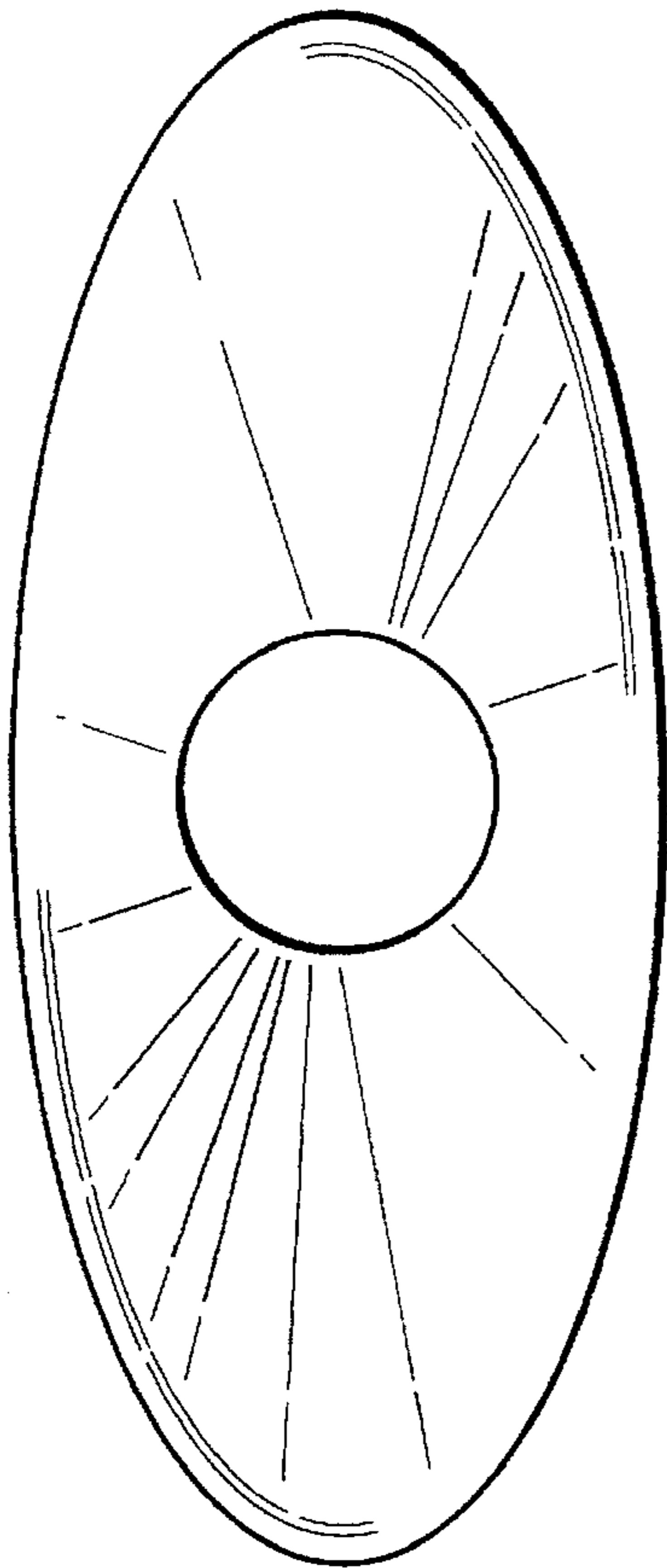


FIG. 2

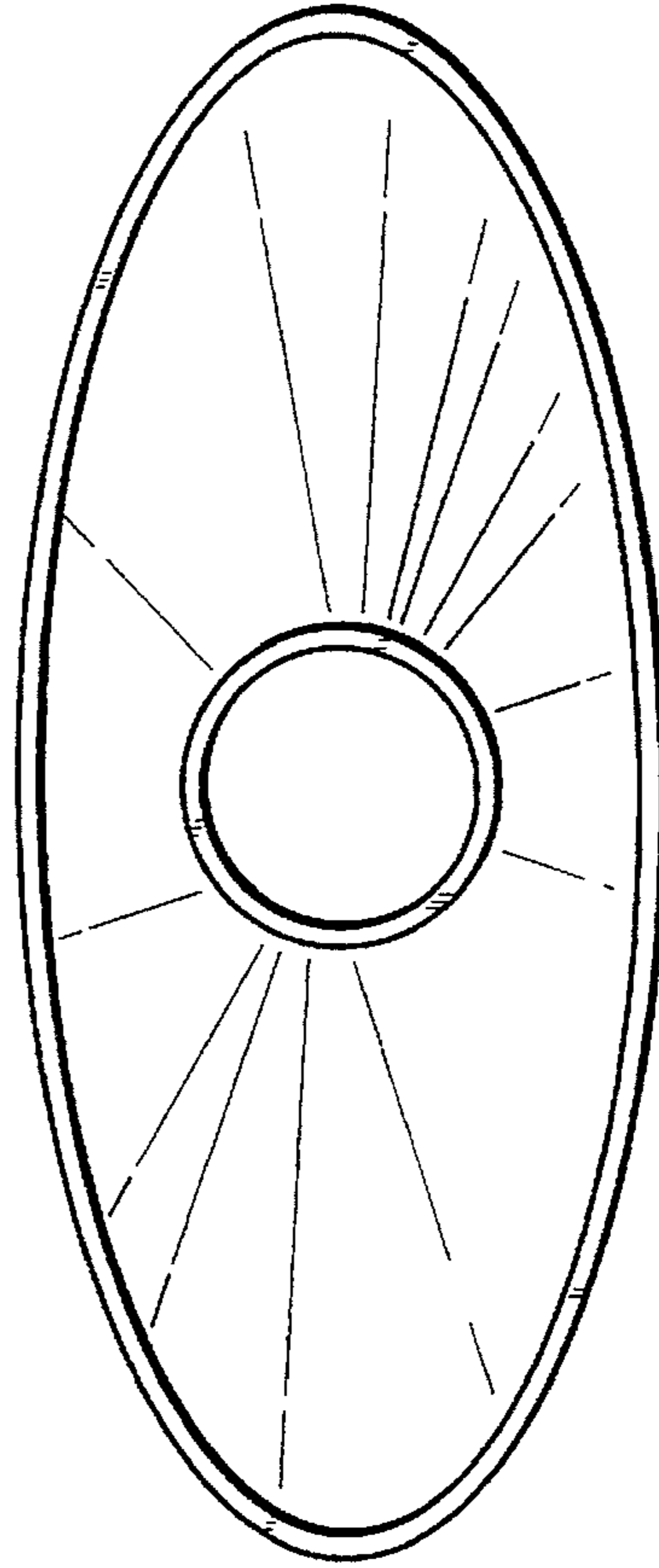


FIG. 3