



US00D378988S

United States Patent [19]

Brown et al.

[11] Patent Number: **Des. 378,988**

[45] Date of Patent: ****Apr. 29, 1997**

[54] **PIPE HANGING BRACKET**

5,267,710 12/1993 Condon 248/65

[75] Inventors: **Larry D. Brown**, San Diego; **Kirt Hubbard**, Escondido, both of Calif.

[73] Assignee: **Securus, Inc.**, San Marcos, Calif.

[**] Term: **14 Years**

[21] Appl. No.: **52,327**

[22] Filed: **Apr. 2, 1996**

[52] U.S. Cl. **D8/380**

[58] Field of Search D8/349, 354, 380;
248/57-59, 62, 65, 69, 68.1, 74.1-74.4

[56] **References Cited**

U.S. PATENT DOCUMENTS

D. 222,578	11/1971	Walker et al.	D8/380
1,664,321	3/1928	Quest .	
2,501,147	3/1950	Tolan .	
2,578,993	12/1951	Downs .	
2,709,564	5/1955	Stenner .	
2,907,198	10/1959	Nunamaker et al. .	

OTHER PUBLICATIONS

Modern Sheet Steel Bracket; Modern Hanger Corp. Catalog, 1953.

Primary Examiner—Holly Baynham
Attorney, Agent, or Firm—Knobbe, Martens, Olson & Bear, LLP

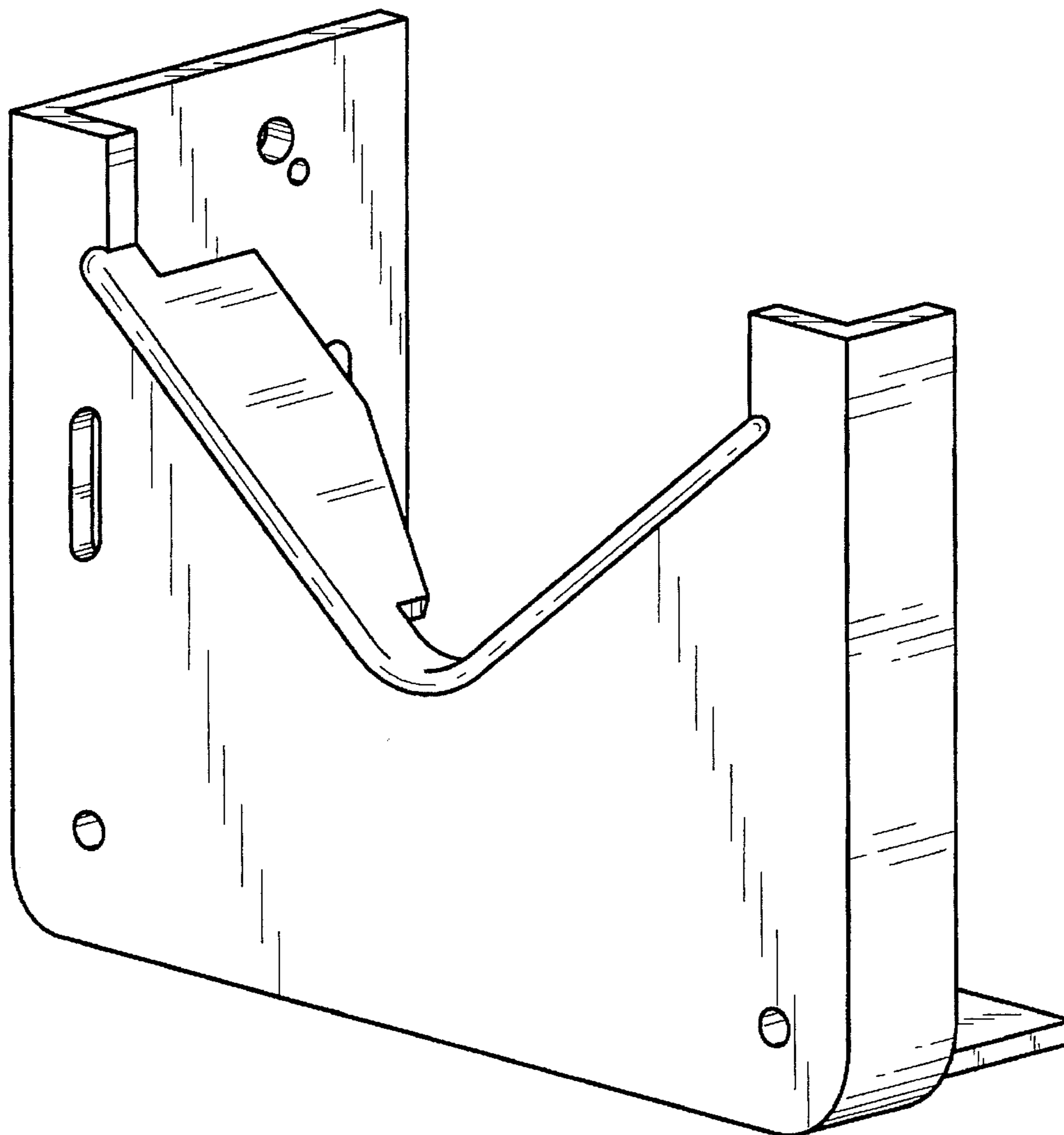
[57] **CLAIM**

The ornamental design for a pipe hanging bracket, as shown and described.

DESCRIPTION

FIG. 1 is a front perspective view of the pipe hanging bracket showing our ornamental design; FIG. 2 is a reduced scale front elevational view thereof; FIG. 3 is a left side elevational view thereof; FIG. 4 is a right side elevational view thereof; FIG. 5 is a top plan view thereof; and, FIG. 6 is a bottom plan view thereof.

1 Claim, 2 Drawing Sheets



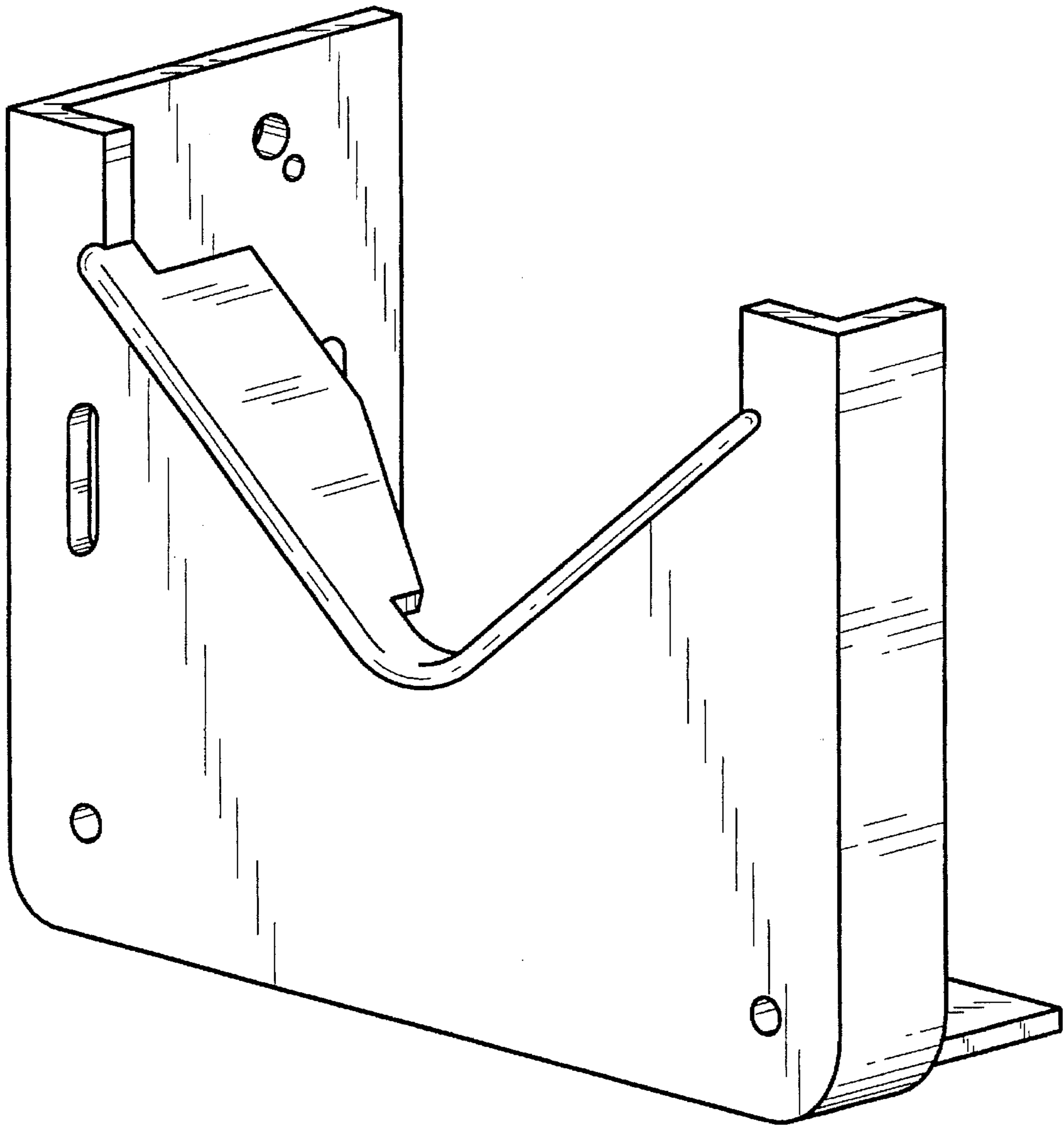


FIG. 1

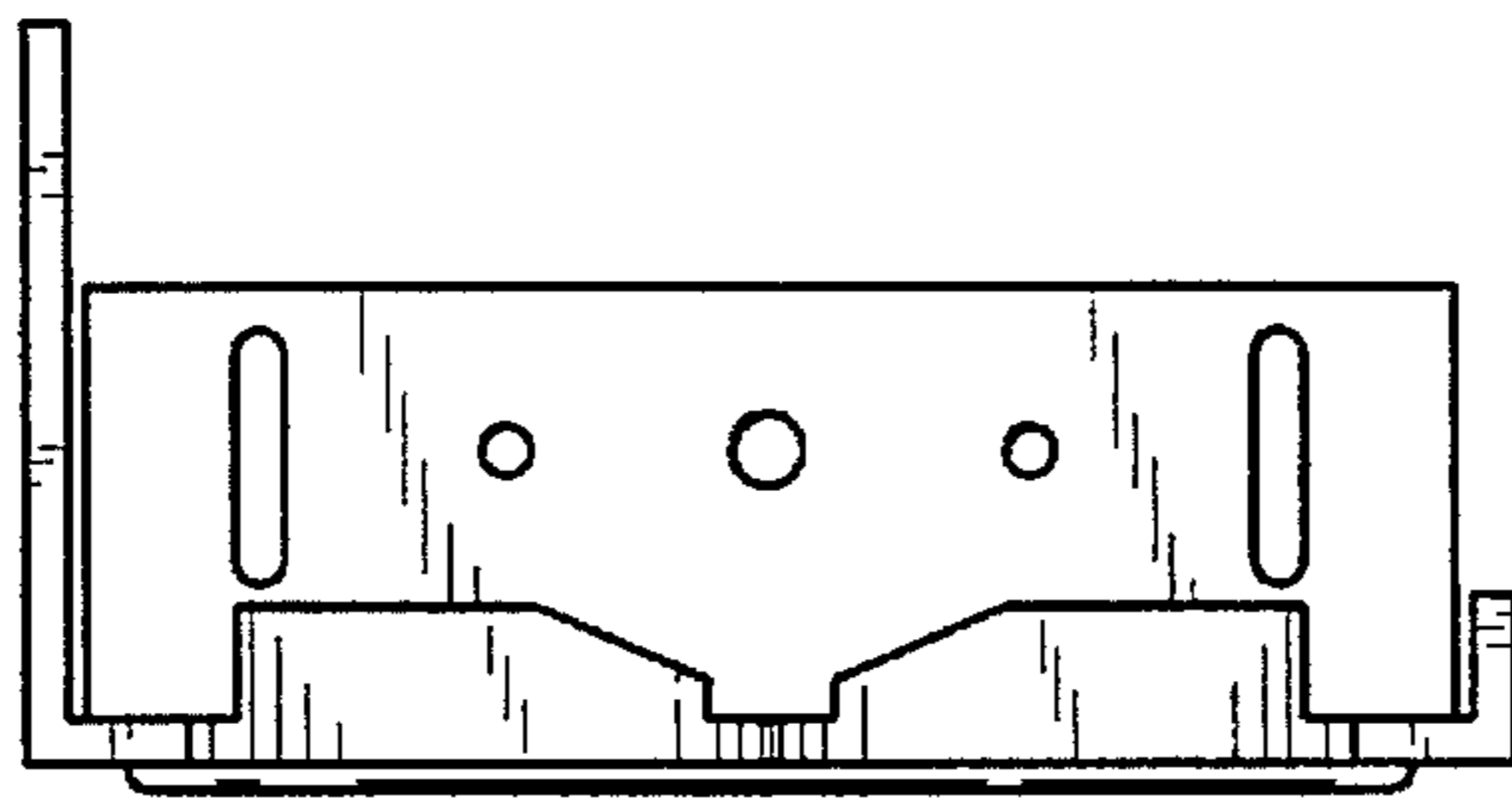


FIG. 5

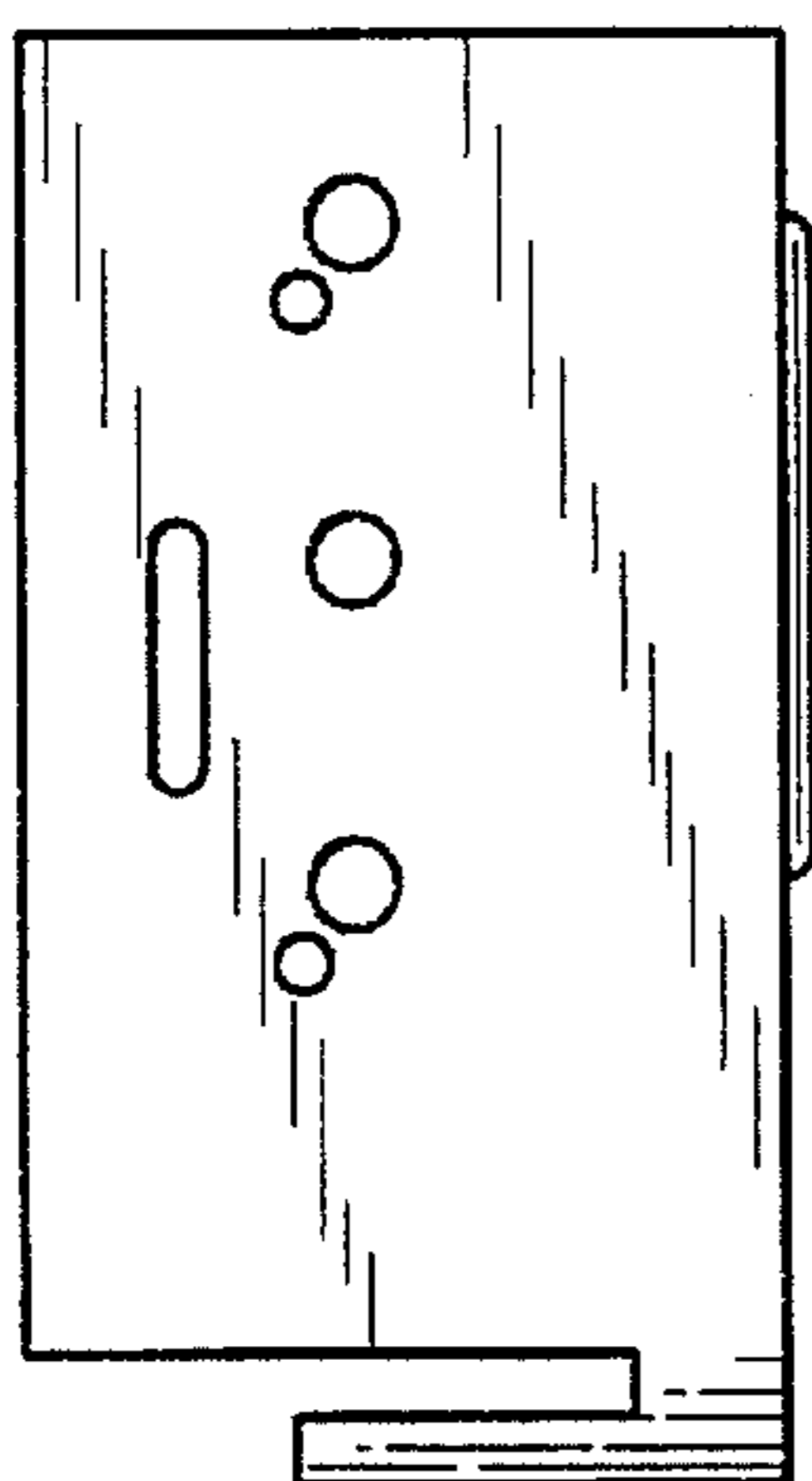


FIG. 3

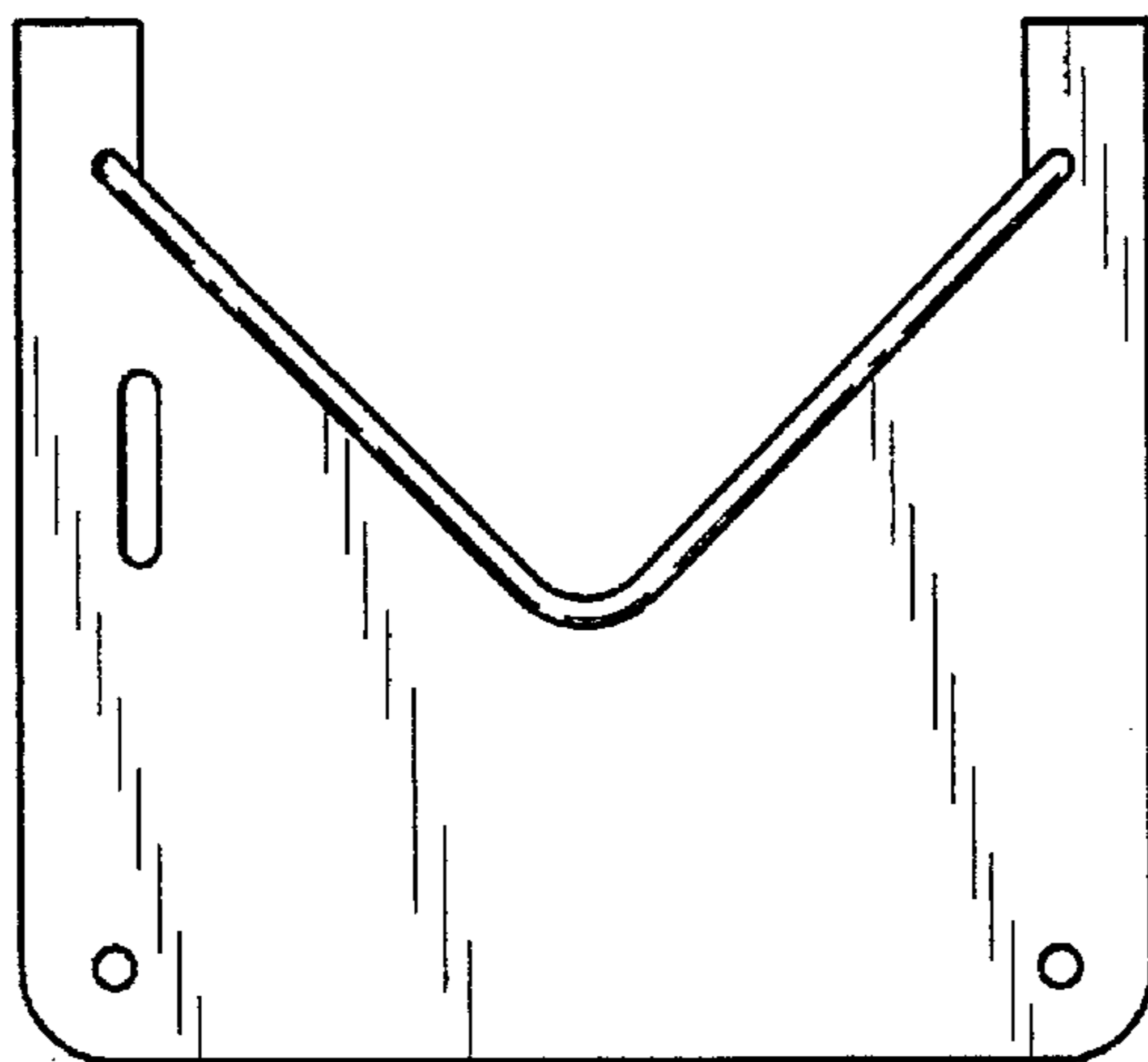


FIG. 2

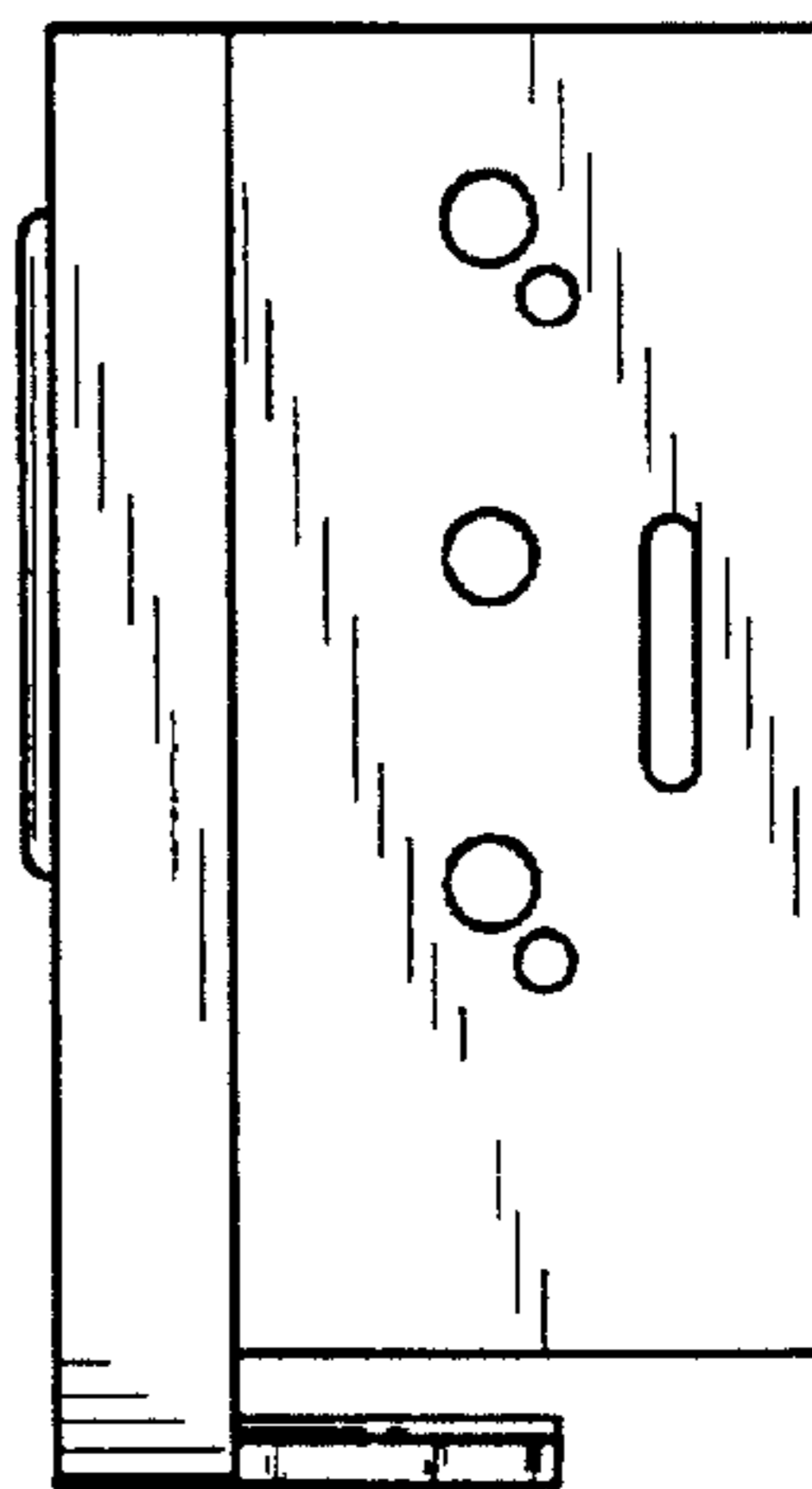


FIG. 4

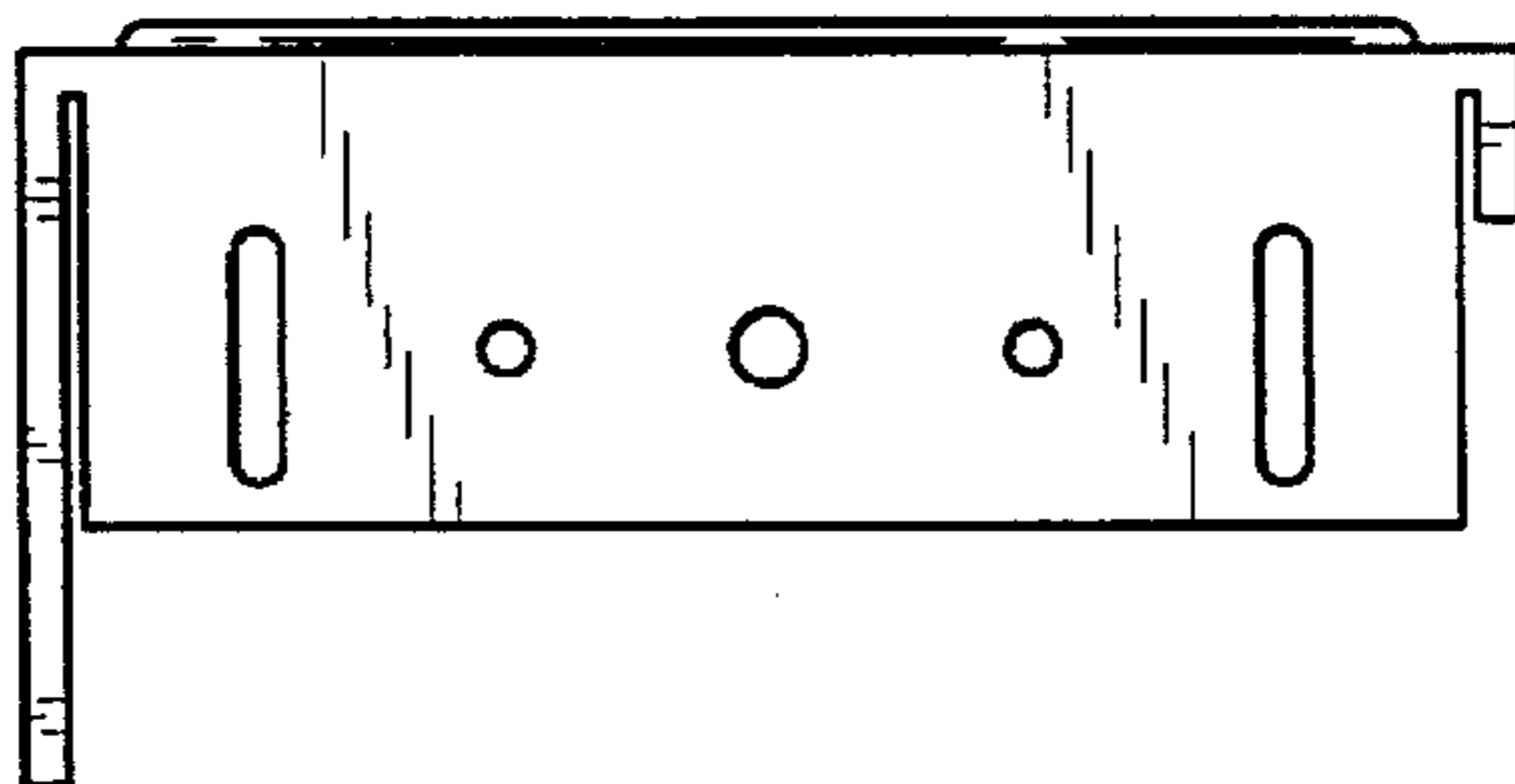


FIG. 6