



US00D378978S

# United States Patent [19]

Frye, Jr. et al.

[11] Patent Number: **Des. 378,978**

[45] Date of Patent: **\*\*Apr. 29, 1997**

[54] **CUTTER GUIDE**

1,736,238 11/1929 Williams ..... 83/762  
3,971,273 7/1976 Peters et al. .... 83/762 X

[75] Inventors: **Elam C. Frye, Jr., Gregg; Fred M. Gore, Dallas, both of Tex.**

*Primary Examiner*—Terry A. Wallace  
*Attorney, Agent, or Firm*—L. Dan Tucker

[73] Assignee: **Frye International Corporation, Longview, Tex.**

### [57] CLAIM

[\*\*] Term: **14 Years**

The ornamental design for a cutter guide, as shown and described.

[21] Appl. No.: **50,974**

### DESCRIPTION

[22] Filed: **Mar. 1, 1996**

[52] U.S. Cl. .... **D7/673**

[58] Field of Search ..... D7/673, 674; 83/761–765;  
269/87.2, 289 R, 291–292, 295

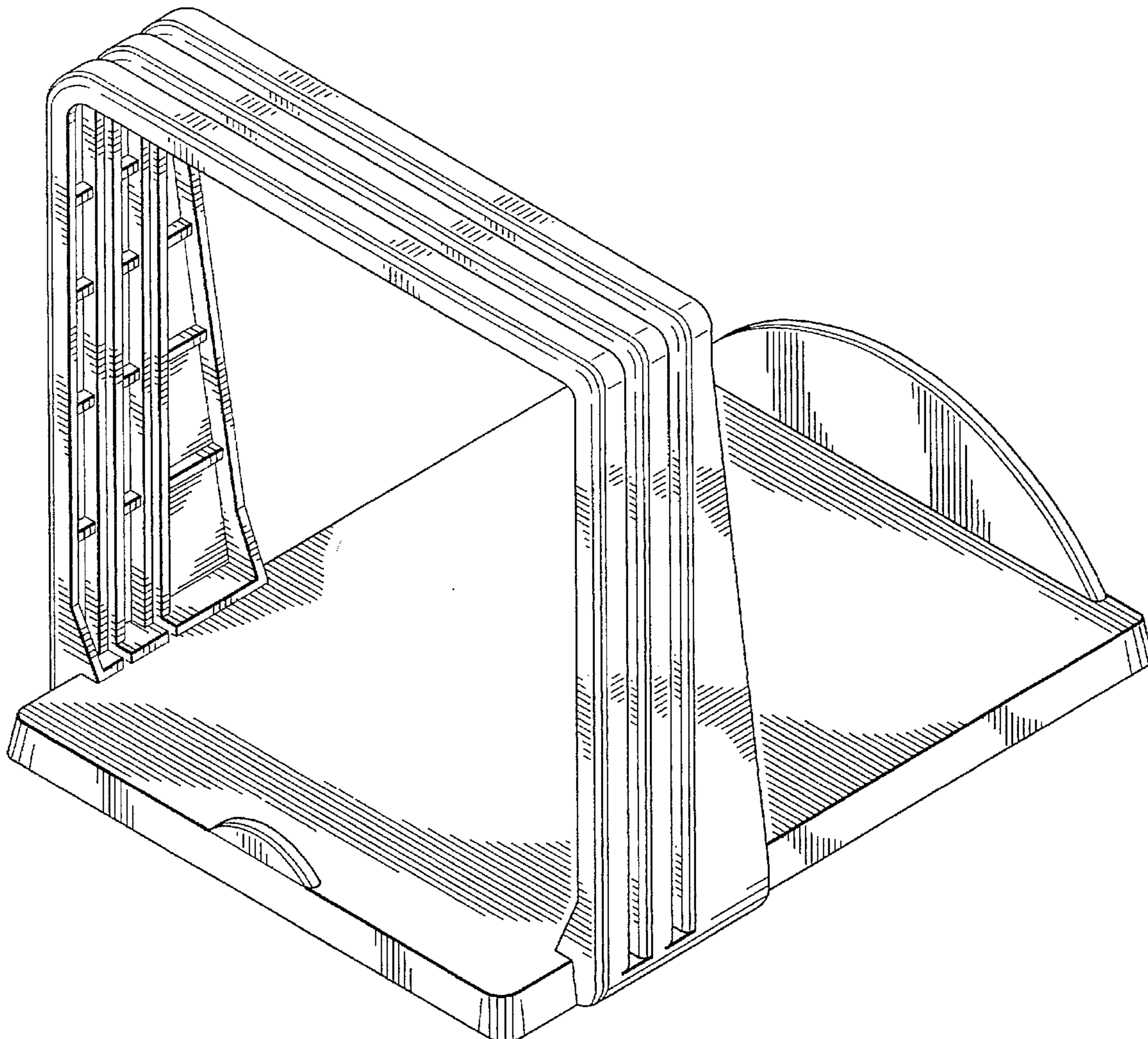
FIG. 1 is a perspective view of the cutter guide showing our new design;  
FIG. 2 is a side elevational view thereof, it being understood that the opposite side elevational view is a mirror image thereof;  
FIG. 3 is a rear elevational view thereof;  
FIG. 4 is a front elevational view thereof;  
FIG. 5 is a top plan view thereof; and,  
FIG. 6 is a bottom plan view thereof.

### [56] References Cited

#### U.S. PATENT DOCUMENTS

662,756 11/1900 Bingham ..... D7/673 X  
1,589,030 6/1926 Whiting ..... 83/761  
1,721,937 7/1929 Williams ..... 83/762

**1 Claim, 2 Drawing Sheets**



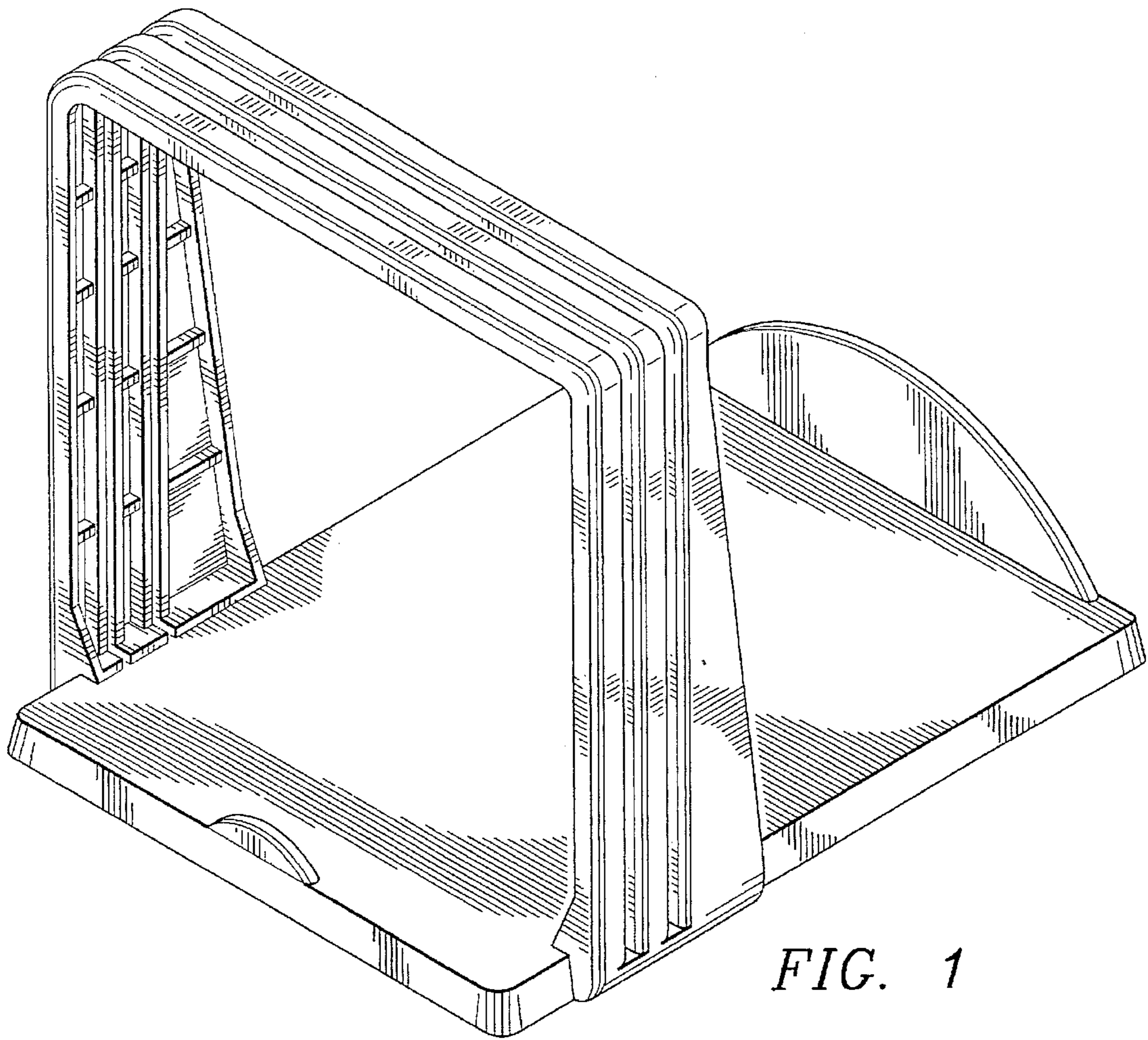


FIG. 1

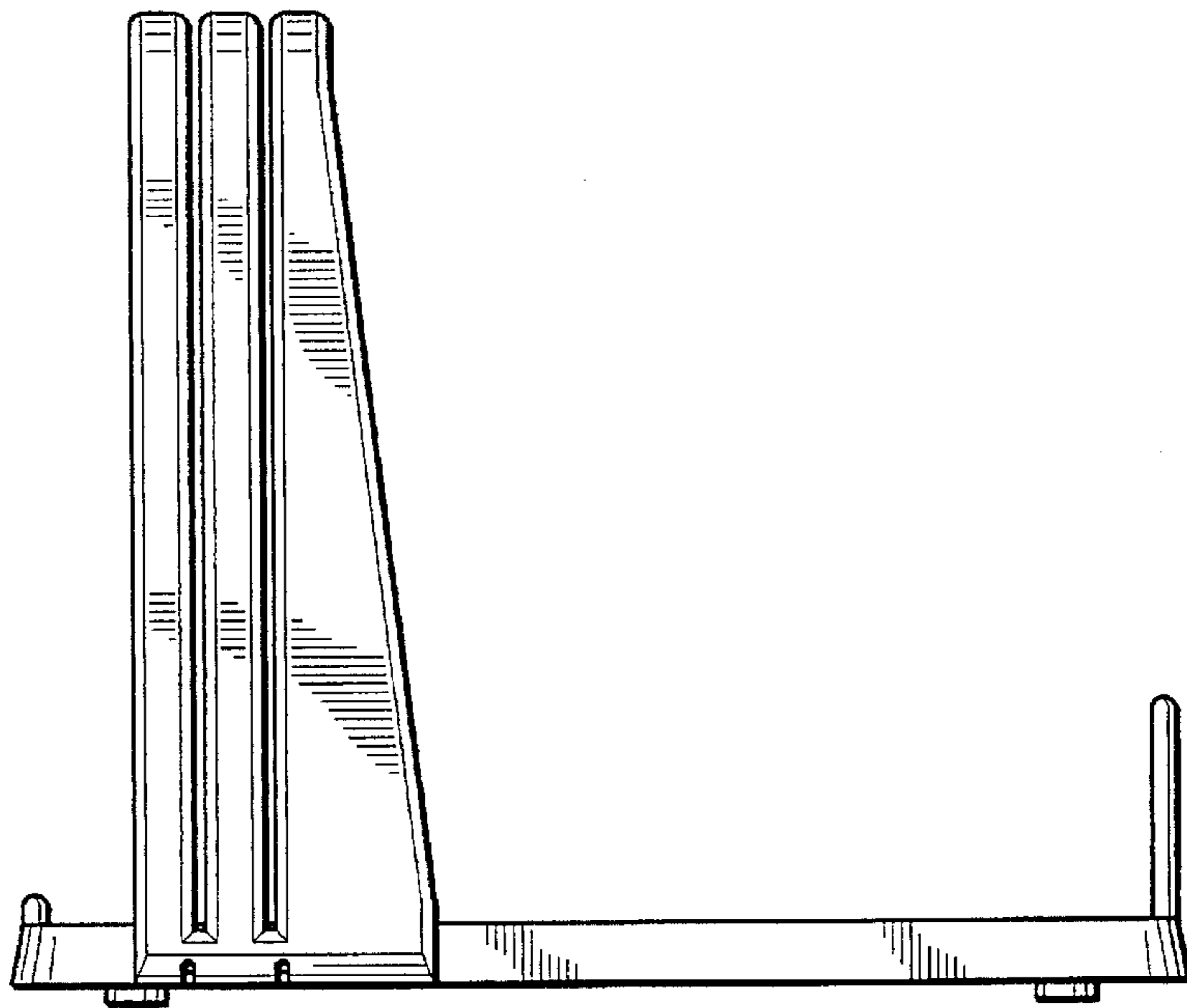


FIG. 2

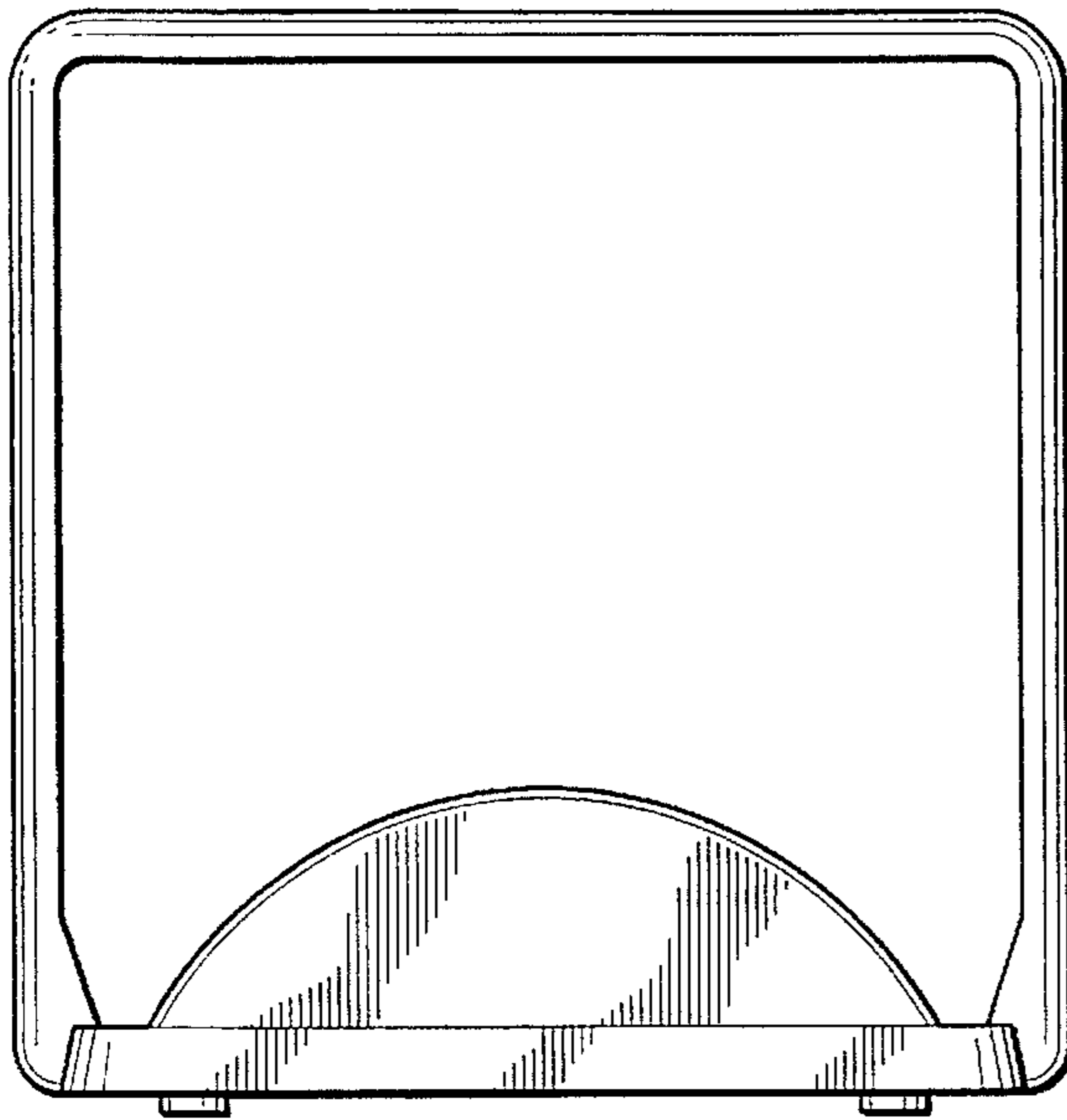


FIG. 3

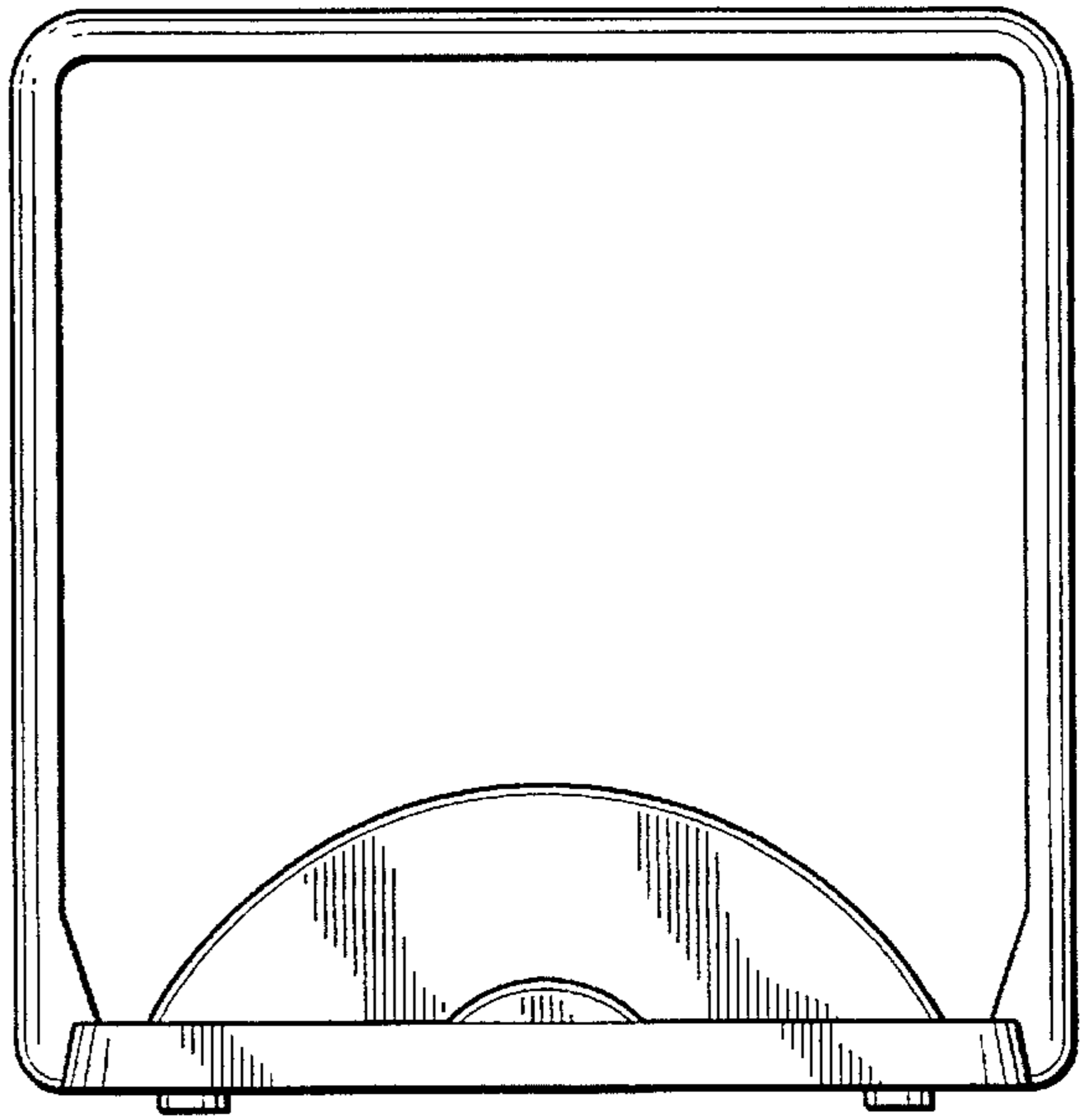


FIG. 4

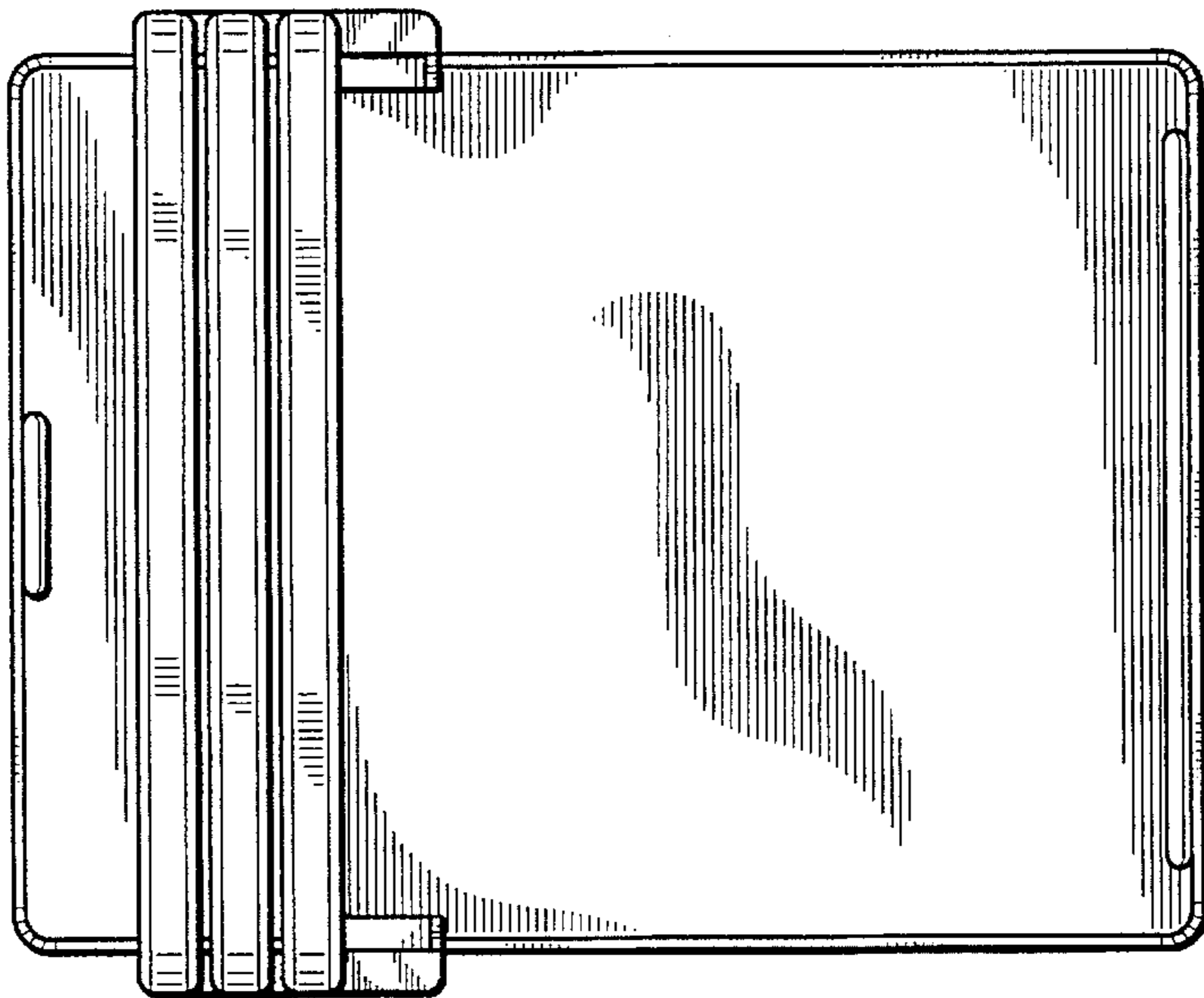


FIG. 5

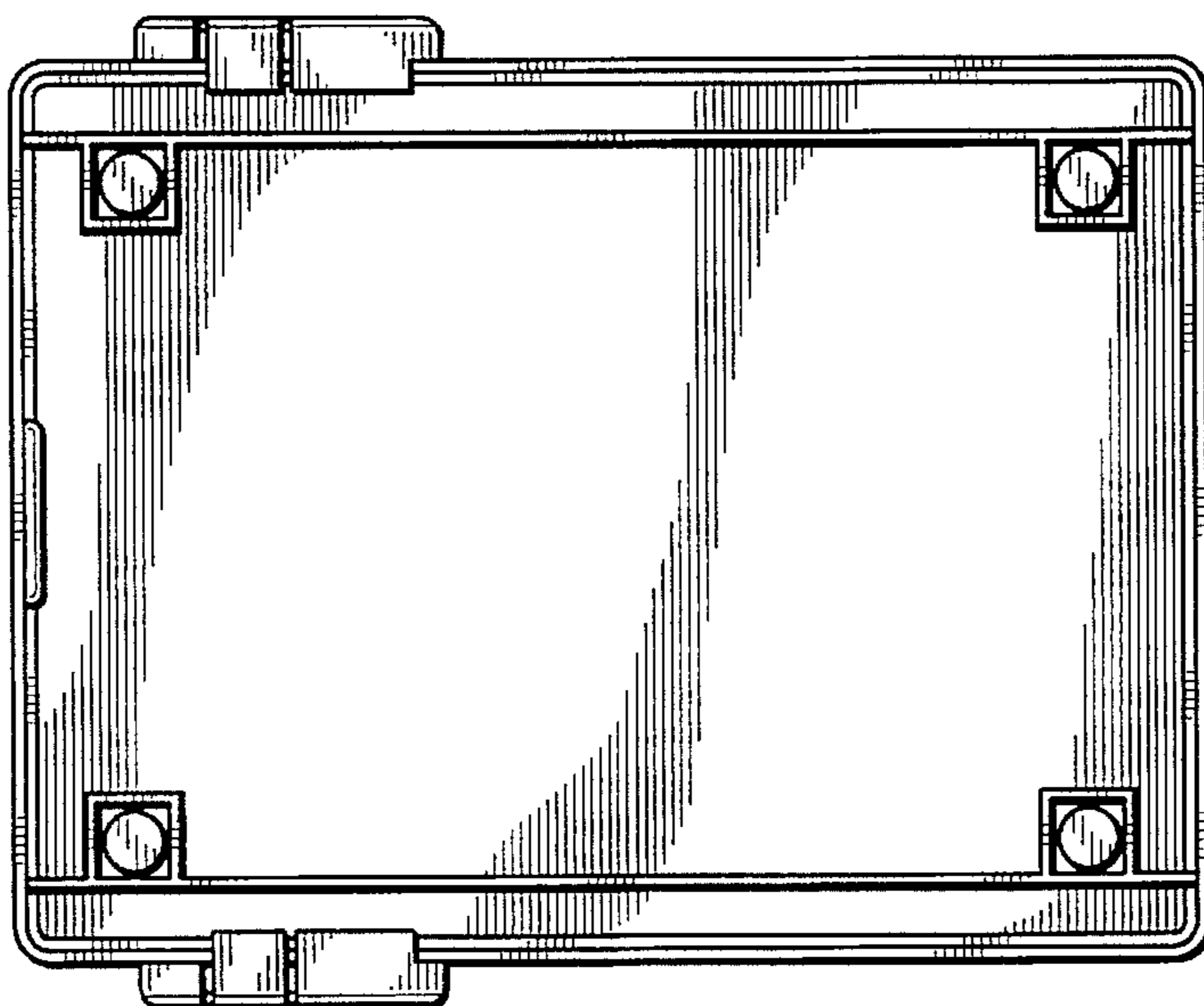


FIG. 6