

US00D378975S

United States Patent [19]
Reid

[11] **Patent Number: Des. 378,975**
[45] **Date of Patent: **Apr. 29, 1997**

[54] **BOTTLE FOR FEEDING HANDICAPPED PERSONS**

[76] **Inventor: James M. Reid, HC4 Box 150, Thomasville, Ala. 36784**

[**] **Term: 14 Years**

[21] **Appl. No.: 40,103**

[22] **Filed: Jun. 9, 1995**

[52] **U.S. Cl. D7/510; D7/511; D7/300.2; D24/197**

[58] **Field of Search D7/507, 510, 511, D7/523, 300.1, 300.2; D9/500, 446, 447; D24/197, 121, 122, 118, 112; 220/709, 568, 671, 672, 705; 215/13.1, 11.1, 11.6, DIG. 8; D10/46.2**

[56] **References Cited**

U.S. PATENT DOCUMENTS

D. 279,169	6/1985	Banasik	D9/447
D. 327,840	7/1992	Hanover	220/705 X
D. 332,215	1/1993	Halvorson	D9/446
D. 355,332	2/1995	Landivar et al.	D9/446
D. 363,985	11/1995	Van Hovel et al.	D7/511 X
2,756,740	7/1956	Deane	220/705 X
2,760,664	8/1956	D'Amico et al.	D24/197 X
2,783,919	3/1957	Ansell	D9/447 X
2,789,734	4/1957	Biederman	D9/447 X
2,984,377	5/1961	Biondi	D24/197 X
3,332,563	7/1967	Reshan	215/13.1 X
4,898,290	2/1990	Cueto .	

4,994,070	2/1991	Guss	215/11.1 X
5,048,705	9/1991	Lynd et al. .	
5,062,550	11/1991	Singh .	
5,085,335	2/1992	Garbaugh	220/709
5,105,956	4/1992	Tang-Lin .	
5,137,183	8/1992	Mikulec et al. .	
5,154,318	10/1992	Lampard .	
5,183,183	2/1993	Hernandez	220/709 X
5,316,160	5/1994	Cautereels	D24/197 X
5,421,496	6/1995	Korsinsky et al.	D15/11.1 X

OTHER PUBLICATIONS

Measuring Jar, Better Homes, Jun. 1977, p. 139.

Primary Examiner—M. N. Pandozzi
Attorney, Agent, or Firm—Dennis H. Lambert

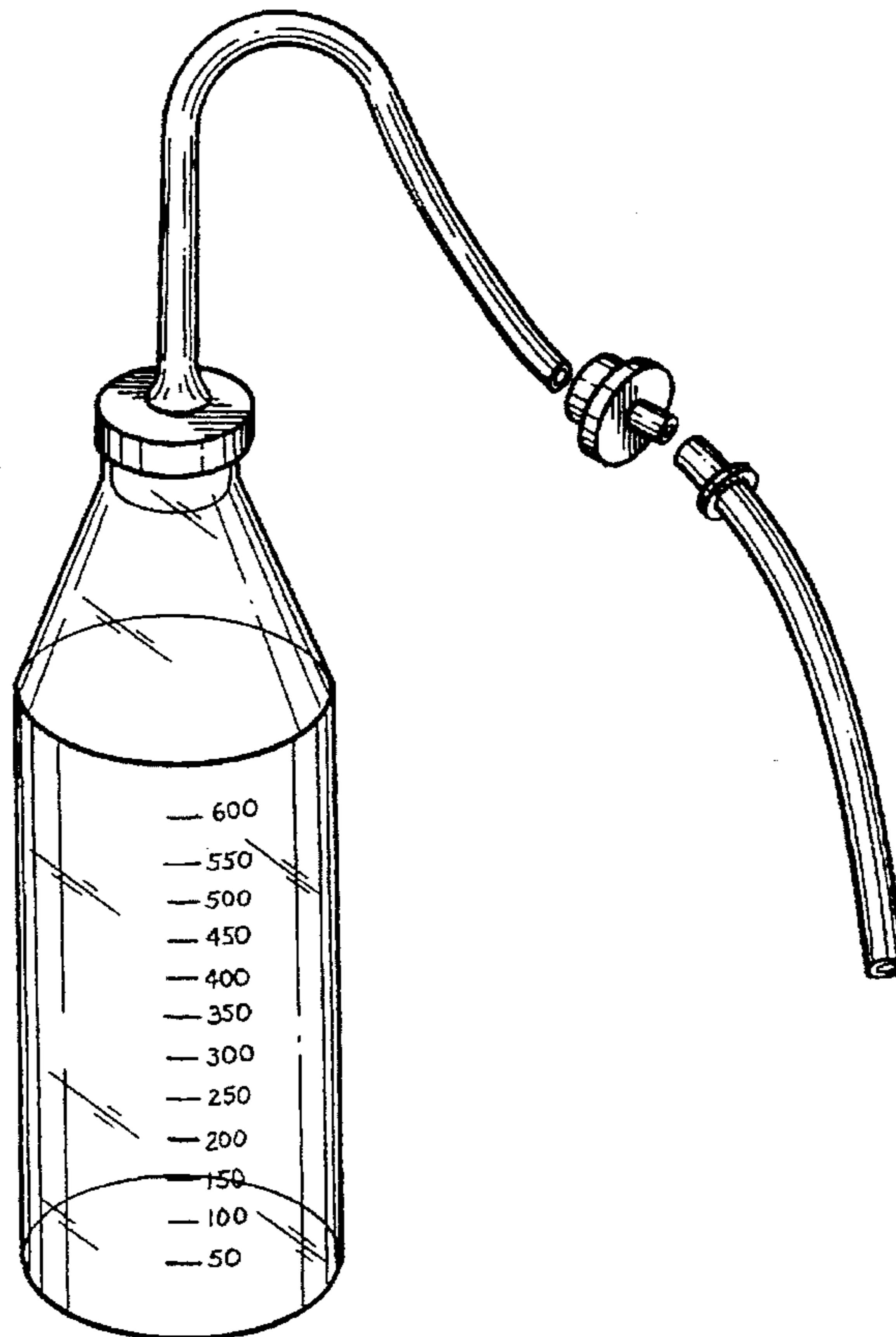
[57] **CLAIM**

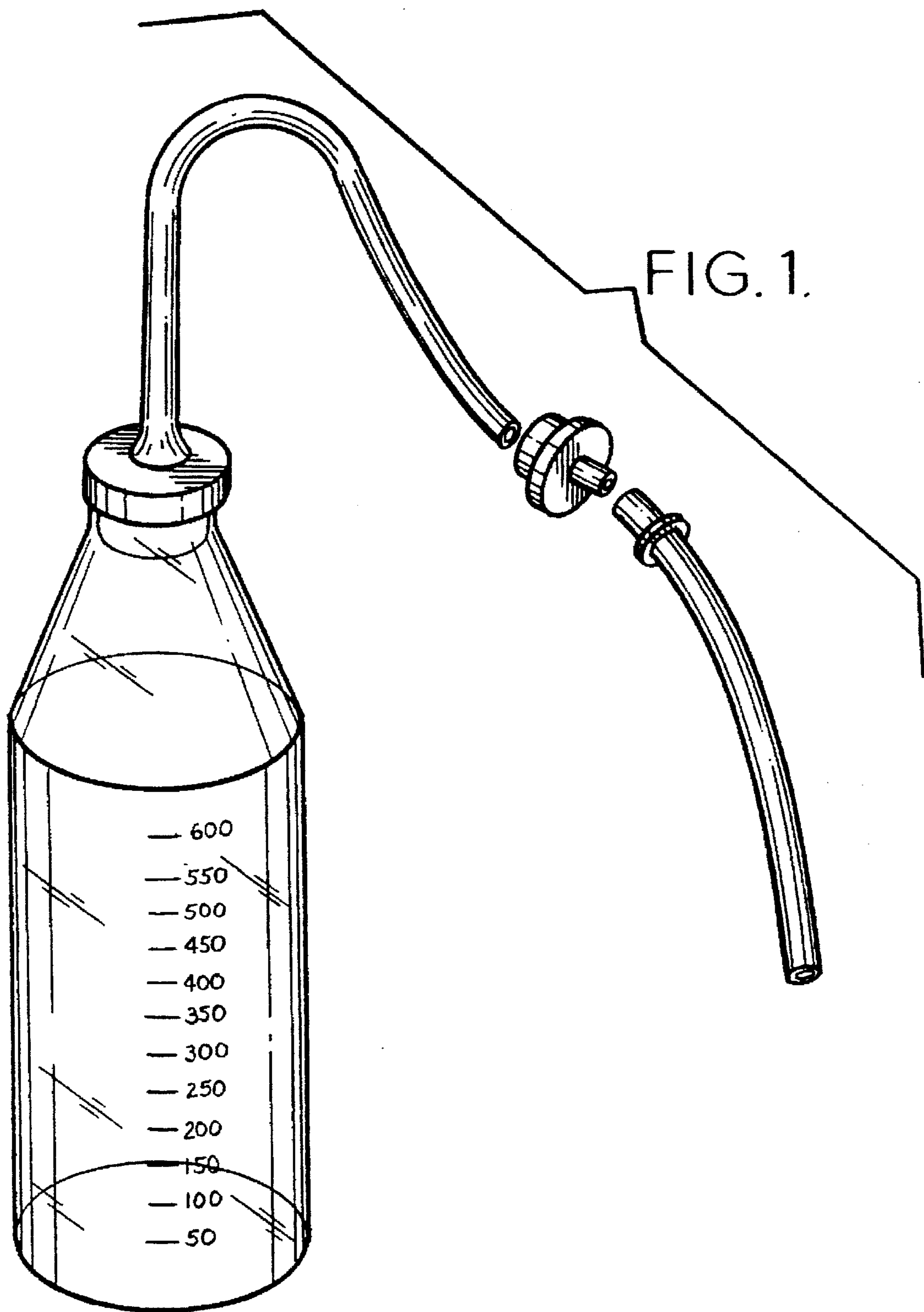
The ornamental design for a bottle for feeding handicapped persons, as shown and described.

DESCRIPTION

FIG. 1 is an exploded front, top and side perspective view of the bottle for feeding handicapped persons embodying the design of the present invention;
FIG. 2 is a right side elevational view of a bottle for feeding handicapped persons;
FIG. 3 is a front elevational view thereof;
FIG. 4 is a rear elevational view thereof;
FIG. 5 is a top plan view thereof; and,
FIG. 6 is a bottom plan view thereof.

1 Claim, 3 Drawing Sheets





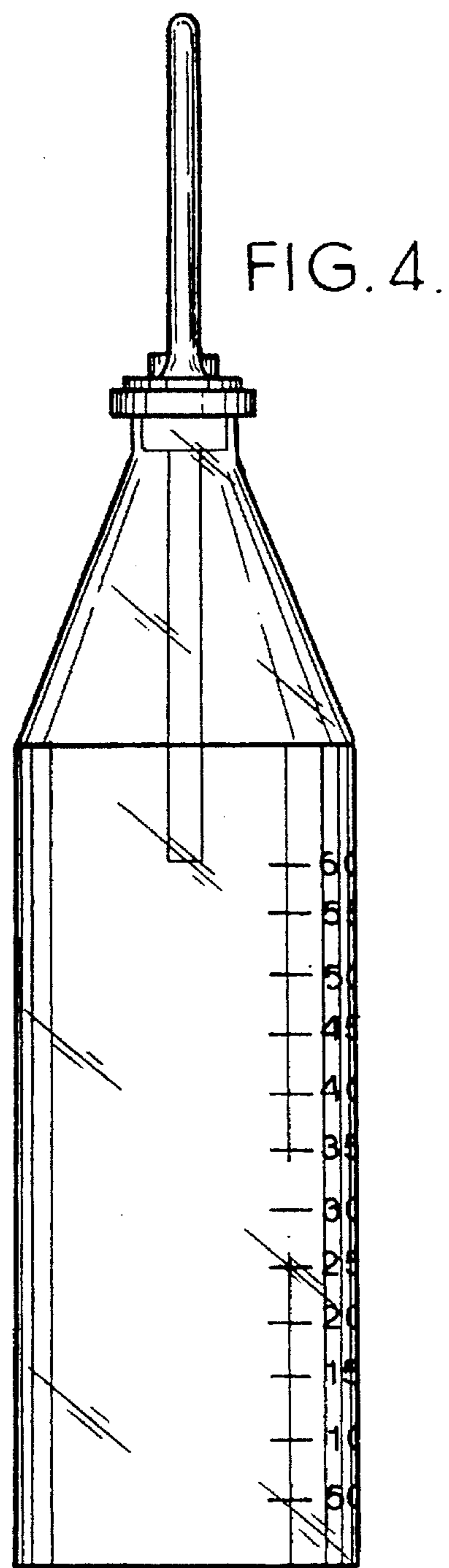
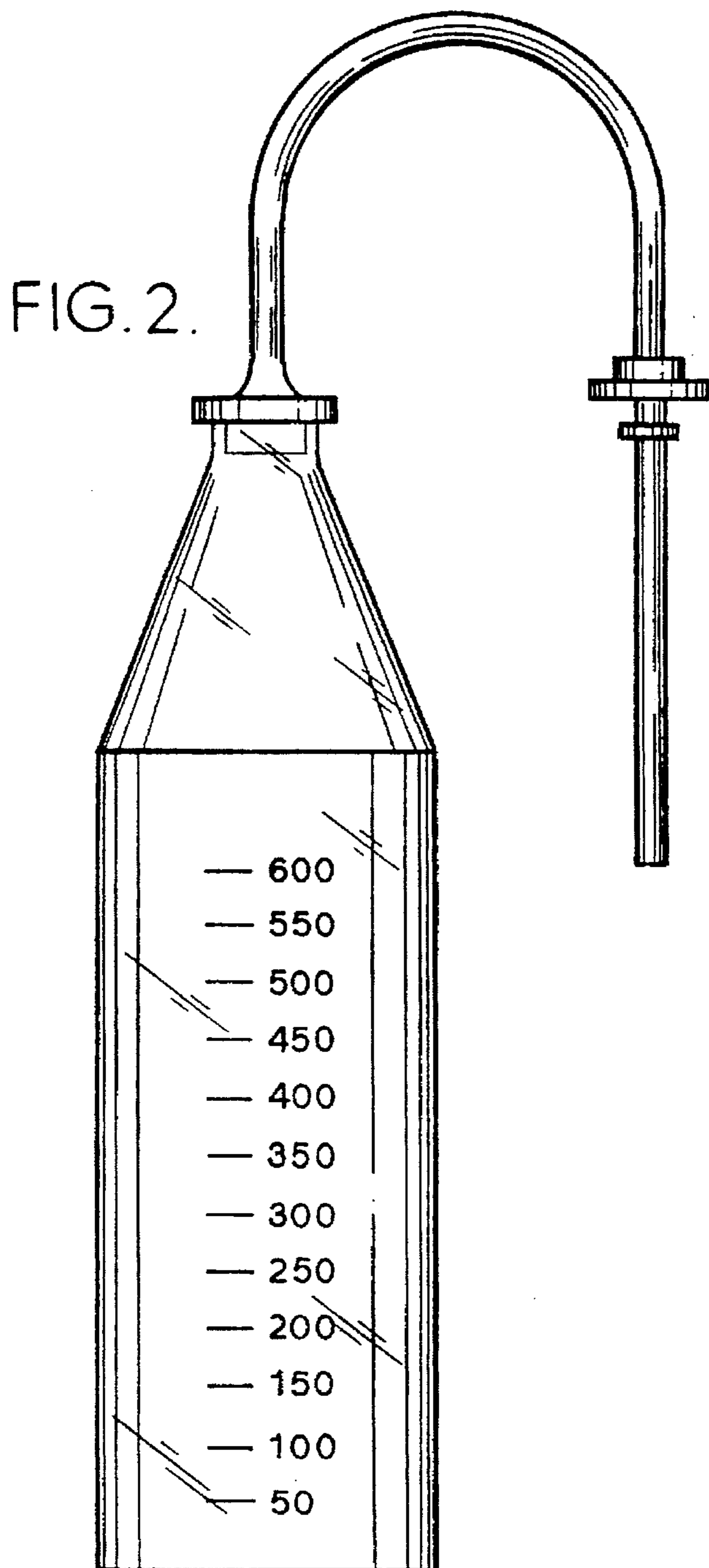
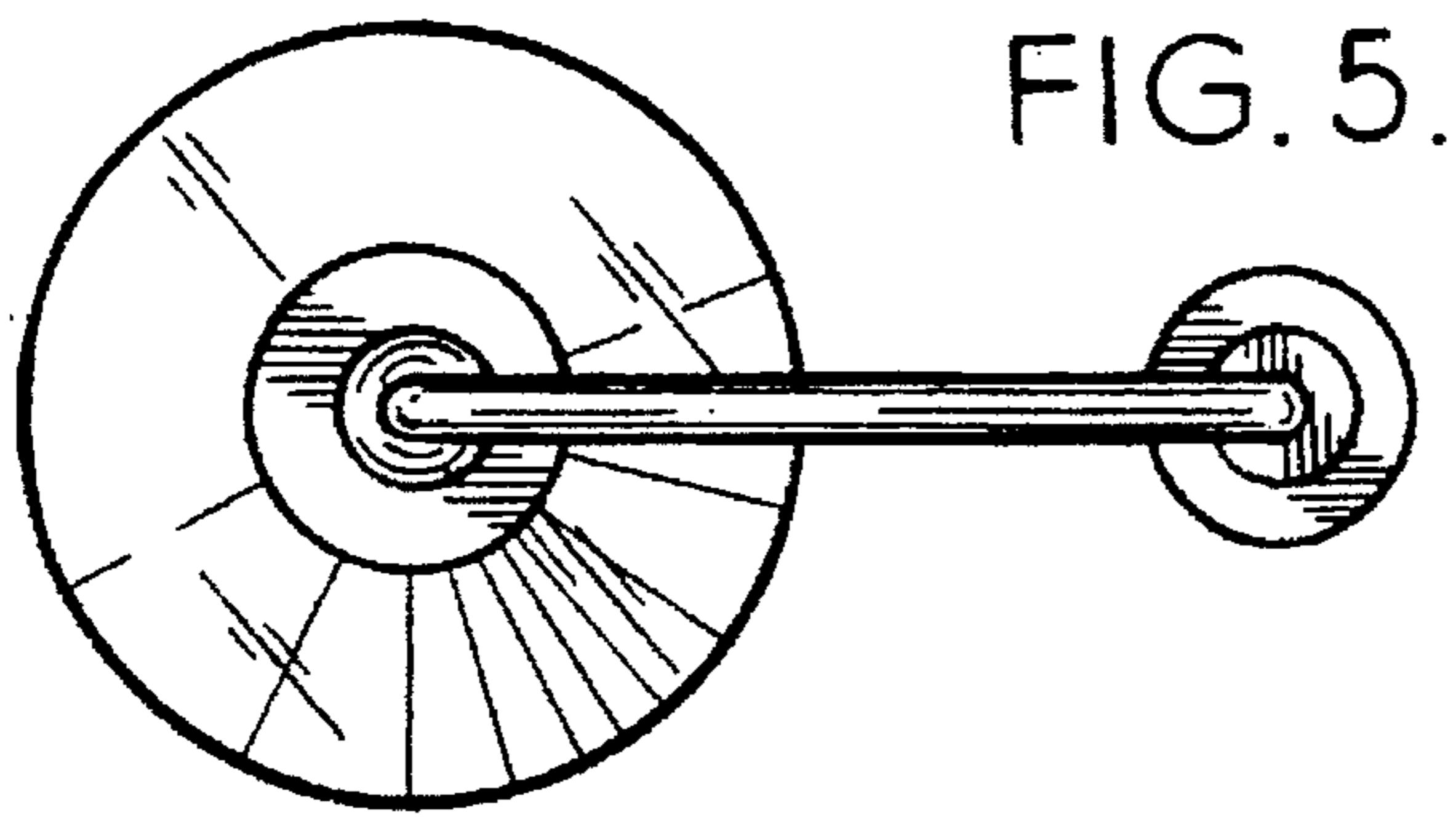


FIG. 3.

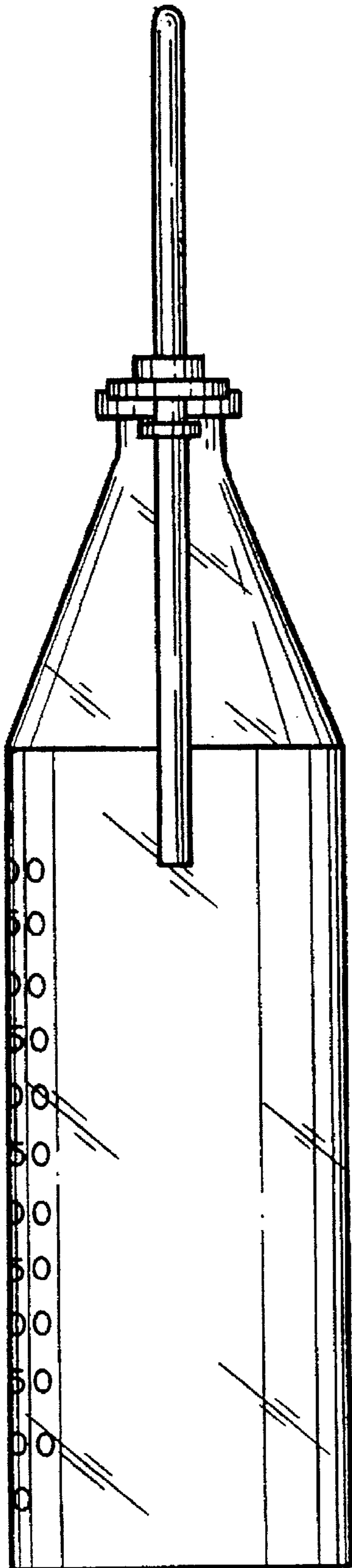


FIG. 6.

