



US00D378974S

United States Patent [19]
Joergensen

[11] **Patent Number: Des. 378,974**

[45] **Date of Patent: **Apr. 29, 1997**

[54] **CRUET SET**

[75] **Inventor: Carsten Joergensen, Kriens, Switzerland**

[73] **Assignee: PI-Design AG, Triengen, Switzerland**

[**] **Term: 14 Years**

[21] **Appl. No.: 35,359**

[22] **Filed: Feb. 24, 1995**

[30] **Foreign Application Priority Data**

Aug. 26, 1994 [DK] Denmark 749/94

[52] **U.S. Cl.** **D7/505; D7/590; D7/592; D7/706; D7/547**

[58] **Field of Search** **D7/547, 505, 300, D7/310, 501, 301, 312, 600, 590, 305, 591, 592, 596, 598, 601, 701, 705, 706, 707, 708; 220/556, 575; 211/77**

[56] **References Cited**

U.S. PATENT DOCUMENTS

- D. 153,589 5/1949 Duberstein D7/598 X
- D. 193,254 7/1962 Klein D7/600
- D. 220,230 3/1971 Friedman D7/547 X
- D. 233,584 11/1974 Salviato D7/598 X
- D. 238,473 1/1976 Logue D7/547
- D. 310,316 9/1990 Rossari D7/590
- 1,878,302 9/1932 Tourtois 211/77
- 2,539,600 1/1951 Waits 211/77 X

OTHER PUBLICATIONS

Container (3A) European Jeweler Dec. 1969 p. 12/1458.
Glass and Silver Condiments by Py Piva (bottom left) Design, Jul. 1972, p. 71.

#3033 Ma-Leck Catalogue (1980) p. 10.

Condiment Set by Ettore Sottsass for Alessi 1978 Conran Design Guide ©1990 Tableware p. 45 By Myerson & Katz Rack, Gift and Tableware Reporter Jan. 20, 1964 p. 27.

Primary Examiner—Nelson C. Holtje
Assistant Examiner—M. N. Pandozzi
Attorney, Agent, or Firm—Gipple & Hale

[57] **CLAIM**

The ornamental design for a cruet set, as shown and described.

DESCRIPTION

FIG. 1 is a top front perspective view of a cruet set showing my new design;

FIG. 2 is a perspective view of a cruet set with the tray portion and two other containers removed for ease of illustration;

FIG. 3 is a front elevational view of FIG. 1, the rear elevational view being a mirror image thereof;

FIG. 4 is a side elevational view thereof, the opposite side being a mirror image thereof;

FIG. 5 is a top plan view thereof;

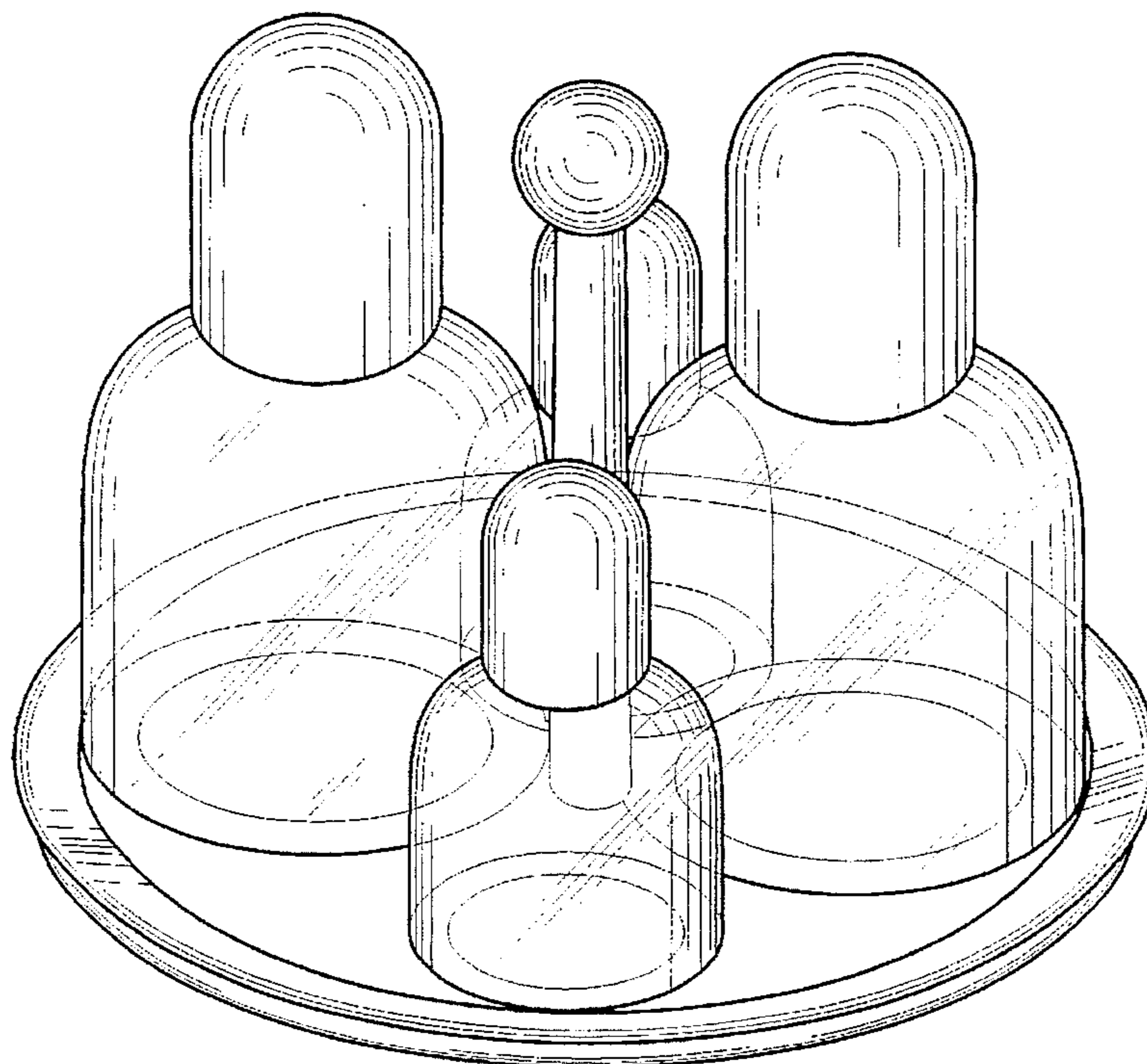
FIG. 6 is a bottom plan view thereof;

FIG. 7 is an elevational view of a cruet set with the tray portion and two other containers removed for ease of illustration;

FIG. 8 is a top plan view thereof; and,

FIG. 9 is a bottom plan view thereof.

1 Claim, 9 Drawing Sheets



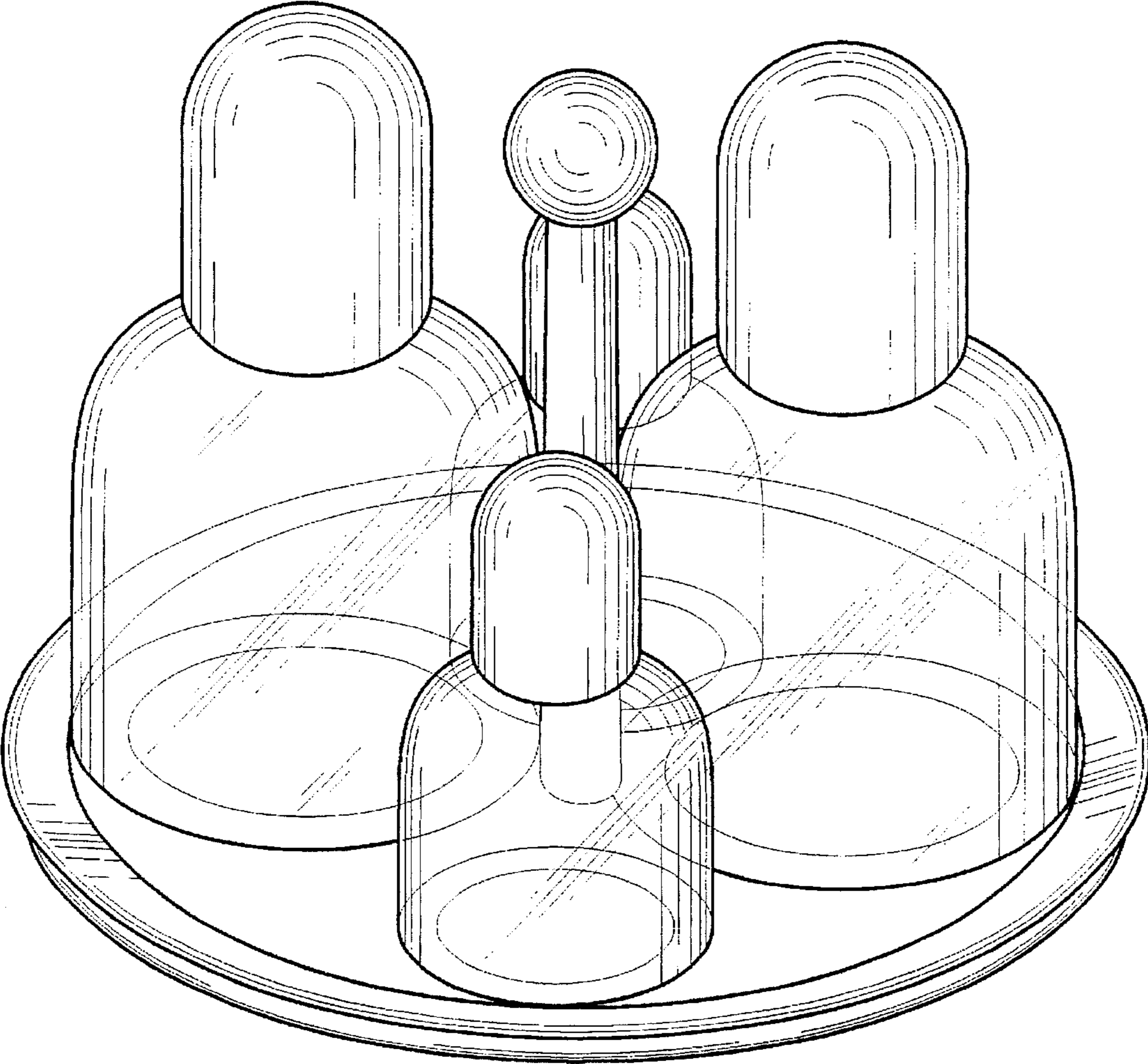


FIG. 1

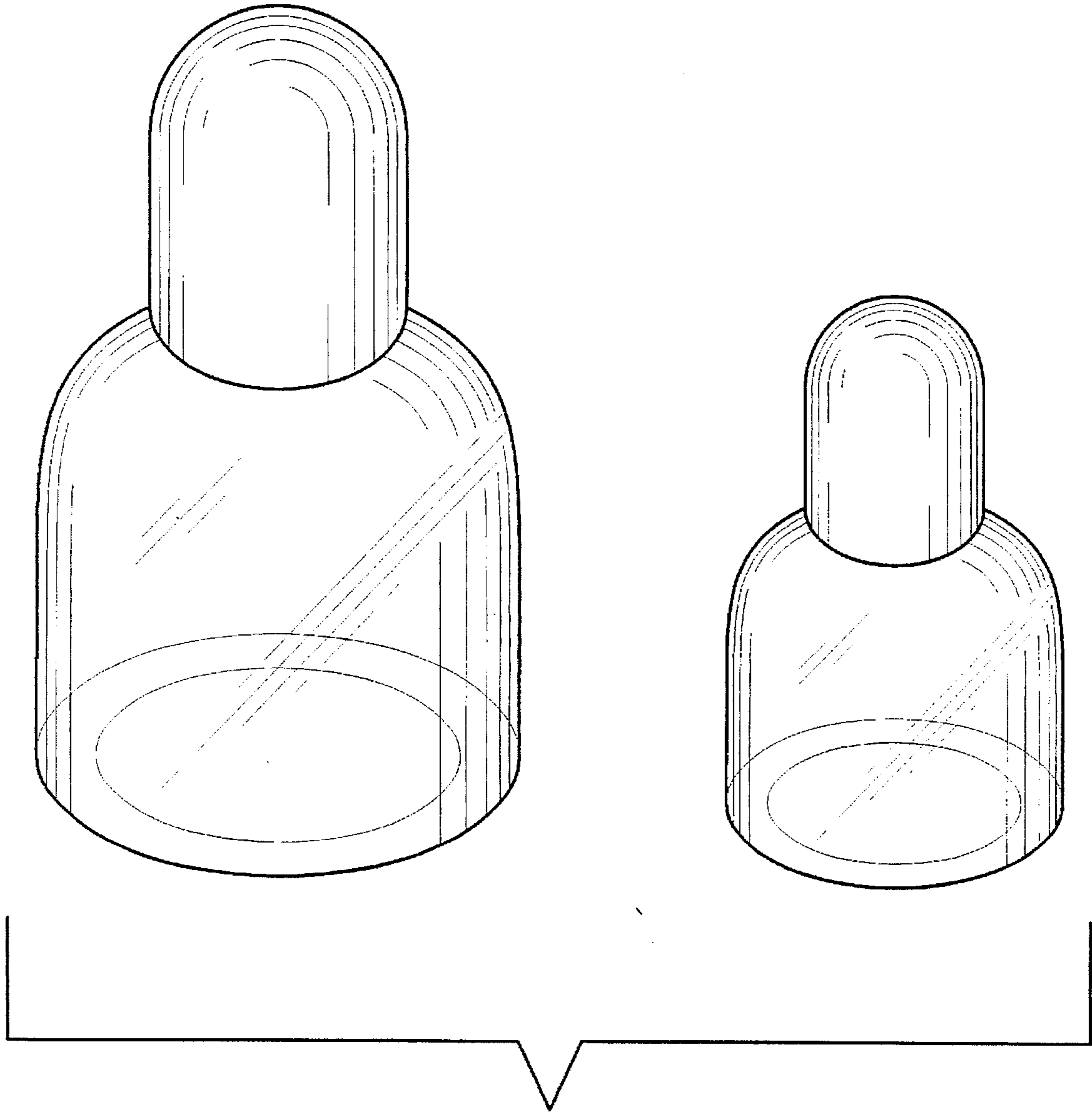


FIG. 2

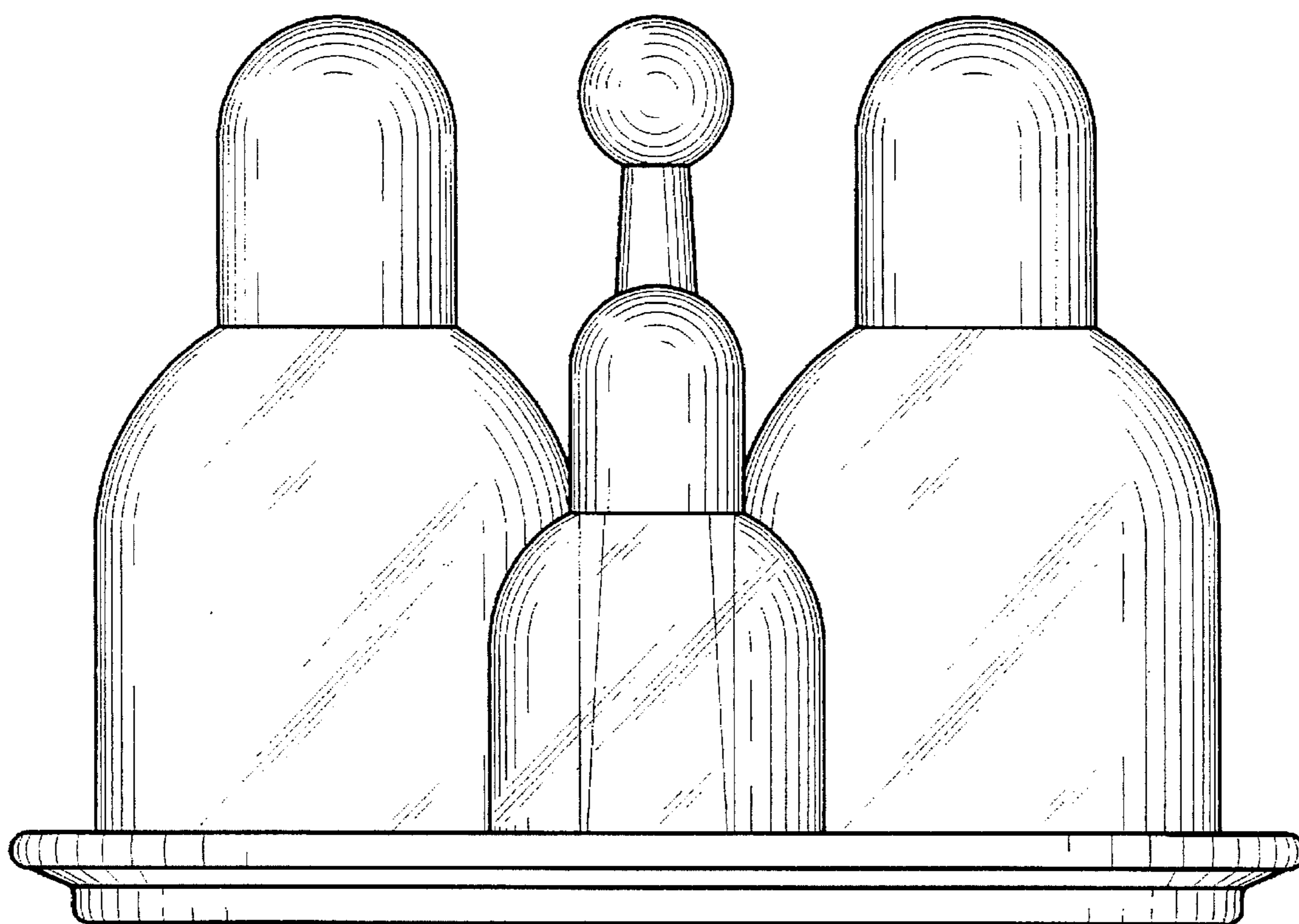


FIG. 3

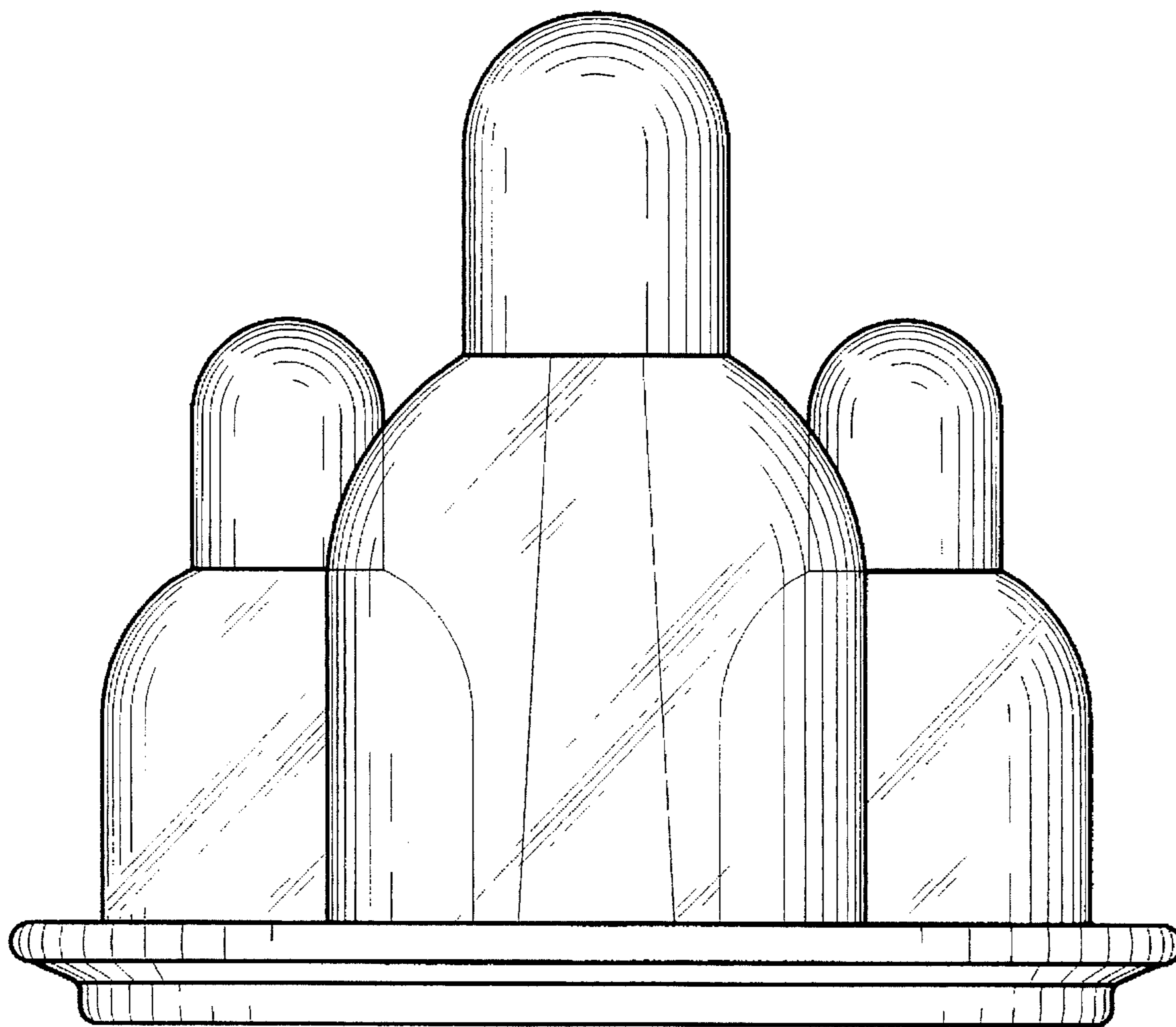


FIG. 4

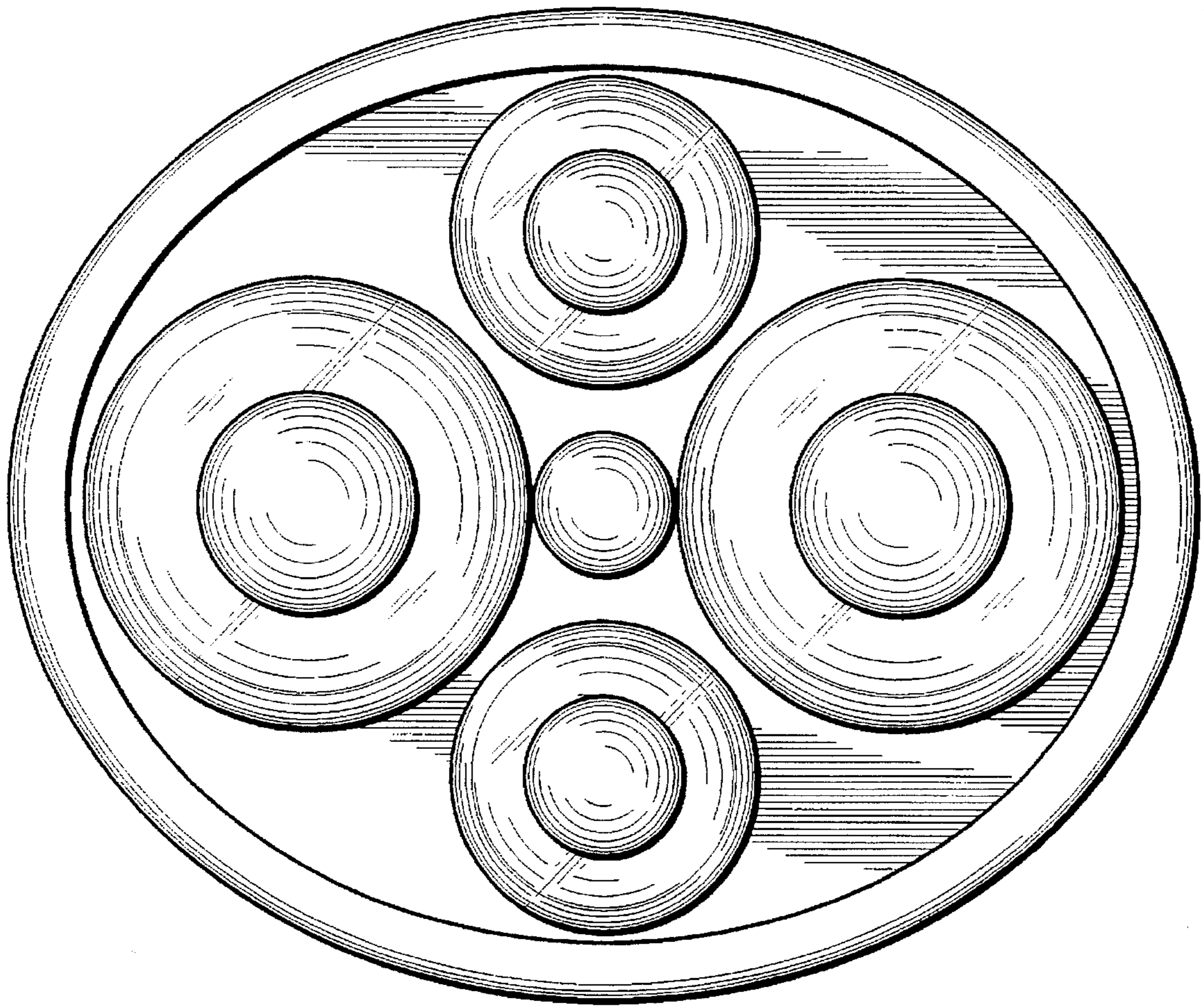


FIG. 5

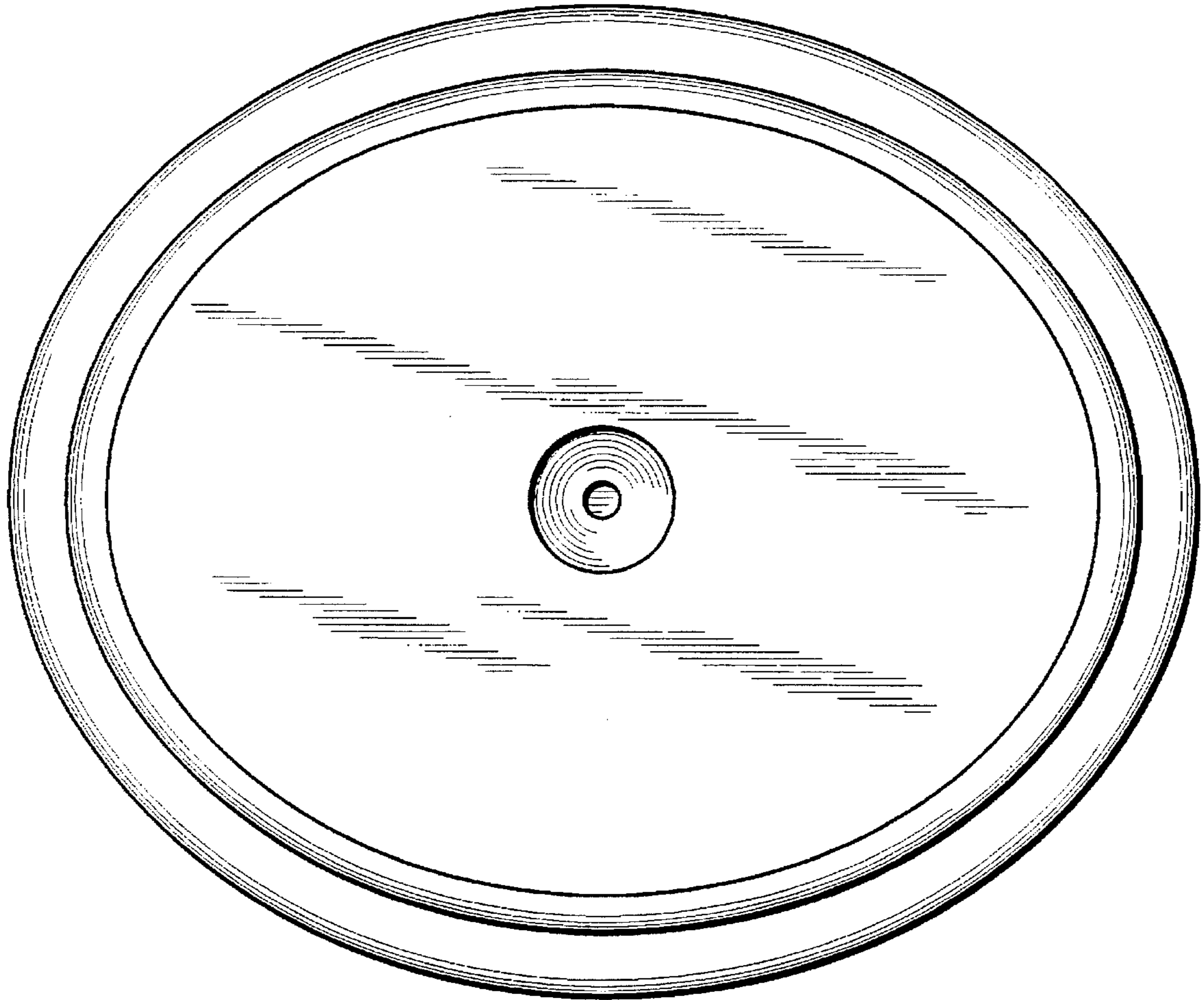


FIG. 6

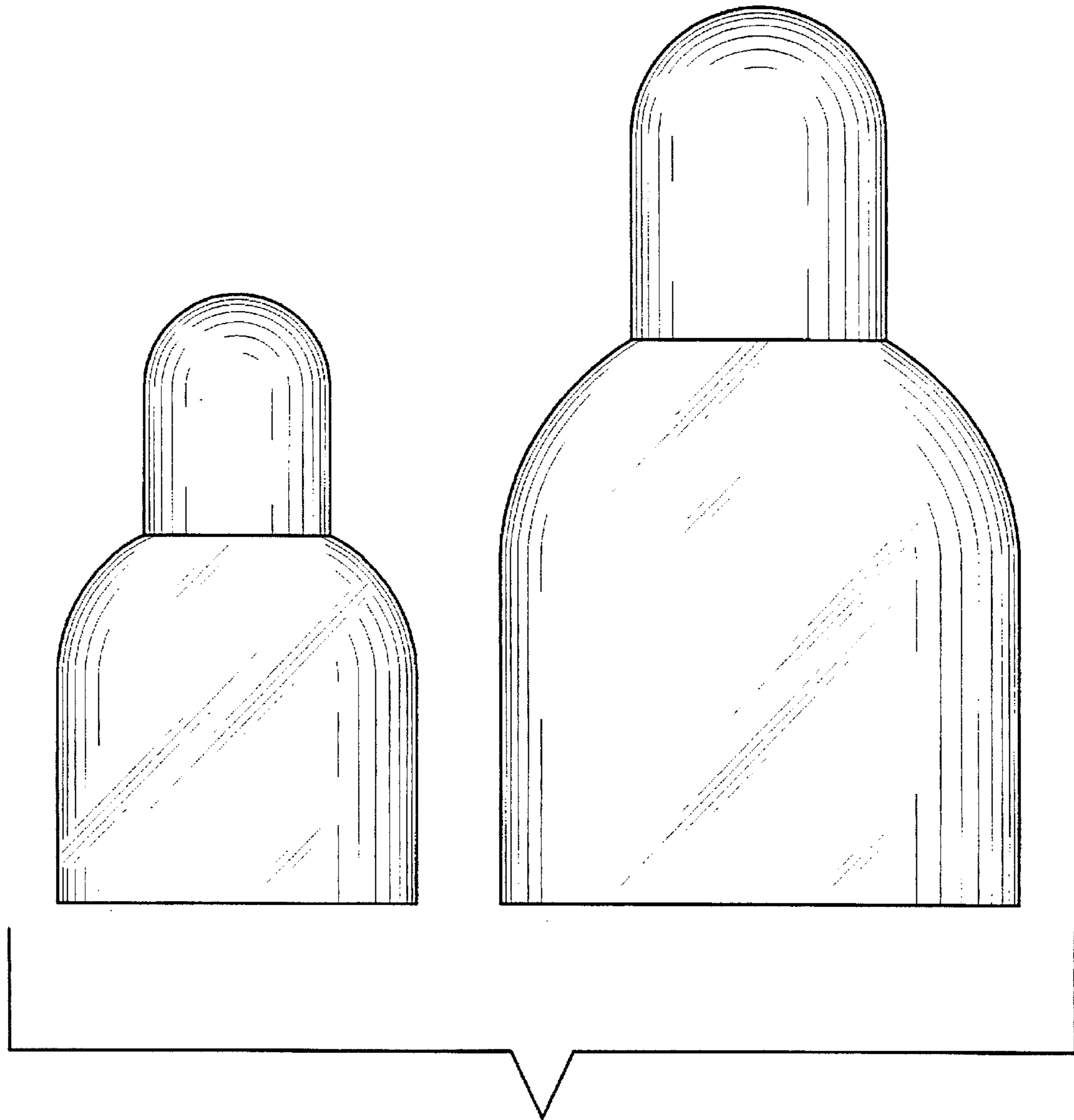


FIG. 7

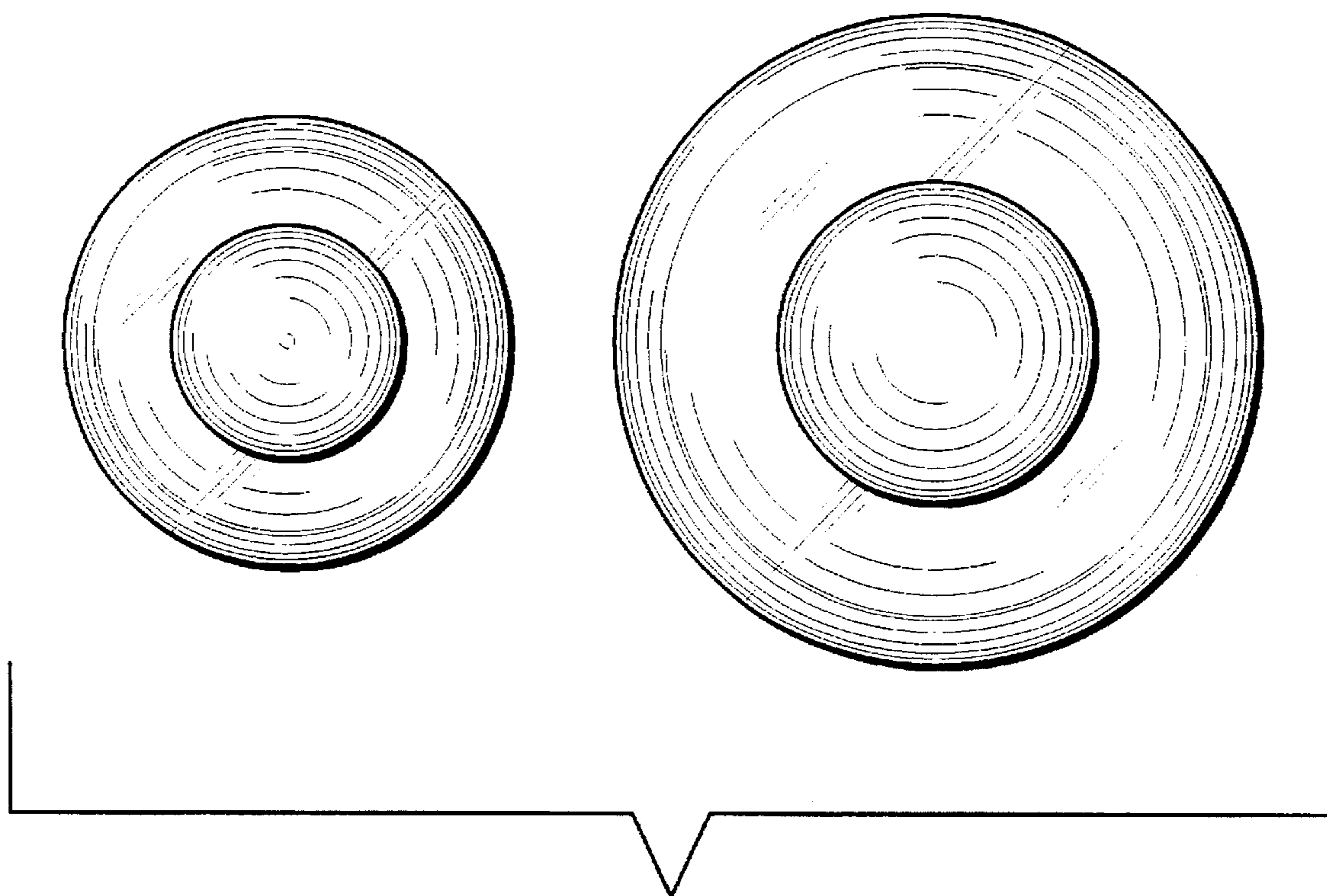


FIG. 8

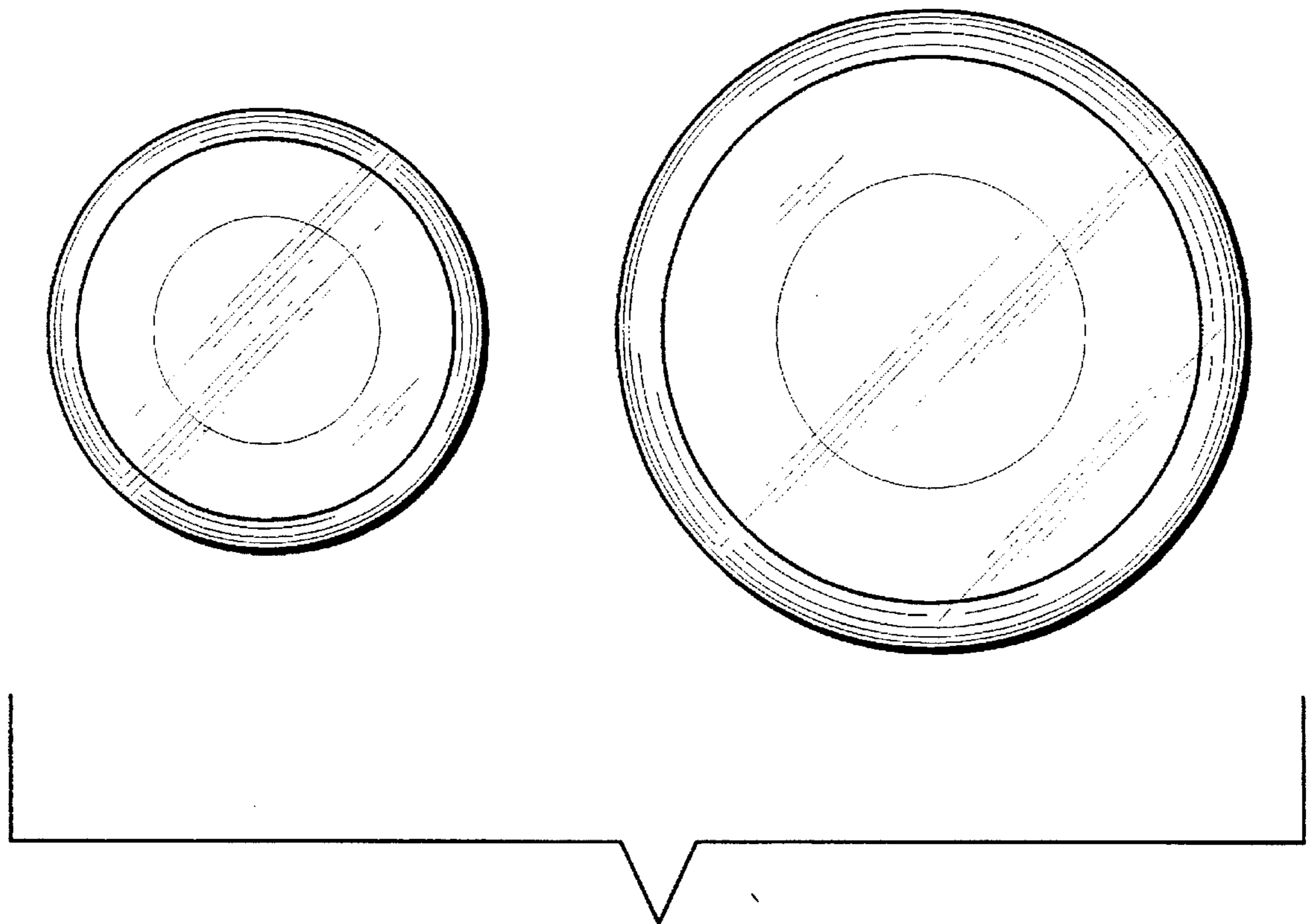


FIG. 9