



US00D378972S

# United States Patent [19]

[11] Patent Number: **Des. 378,972**

Hug et al.

[45] Date of Patent: **\*\*Apr. 29, 1997**

[54] **BAGEL CUTTER**

4,747,331	5/1988	Policella .....	83/762
4,807,505	2/1989	Campbell et al. ....	83/454
5,361,666	11/1994	Kensrue .....	83/870

[76] Inventors: **Dave E. Hug; Tonia Sullivan**, both of  
1980 Walker Rd., NE, Salem, Oreg.  
97305

*Primary Examiner*—James M. Gandy  
*Assistant Examiner*—Caron D. Veynar  
*Attorney, Agent, or Firm*—Harold H. Dutton, Jr.; W. Charles  
L. Jamison; Diane F. Liebman

[\*\*] Term: **14 Years**

[21] Appl. No.: **47,613**

[57] **CLAIM**

[22] Filed: **Dec. 8, 1995**

The ornamental design for a bagel cutter, as shown.

[52] U.S. Cl. .... **D7/381; D7/385; D7/673**

### DESCRIPTION

[58] **Field of Search** ..... D7/381, 385, 672,  
D7/673; 83/431, 454, 459, 462, 465, 468.7,  
544, 697, 762, 856, 870, 874, 932, 452,  
453; 269/87.2, 295

FIG. 1 is a perspective view of a bagel cutter showing our  
new design;

FIG. 2 is a top view thereof;

FIG. 3 is a bottom view thereof;

FIG. 4 is a front view thereof;

FIG. 5 is a rear view thereof;

FIG. 6 is a right side view thereof; and,

FIG. 7 is a left side view thereof.

### [56] References Cited

#### U.S. PATENT DOCUMENTS

D. 275,441	9/1984	Becker et al. ....	D7/385 X
3,583,026	6/1971	Peoni .....	D7/673 X
4,249,445	2/1981	Browning .....	83/762
4,399,989	8/1983	Baillie .....	269/87.2

**1 Claim, 5 Drawing Sheets**

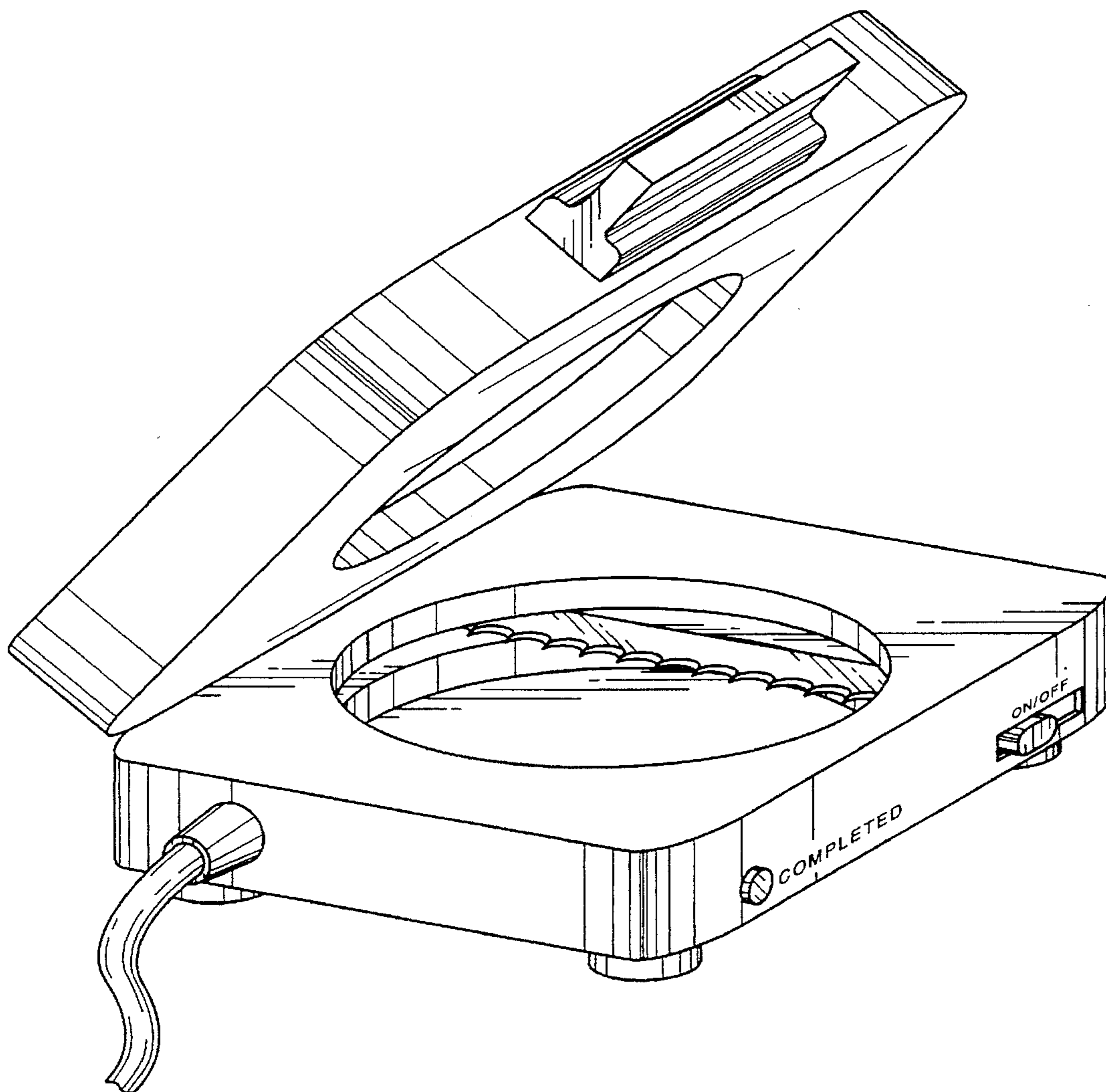
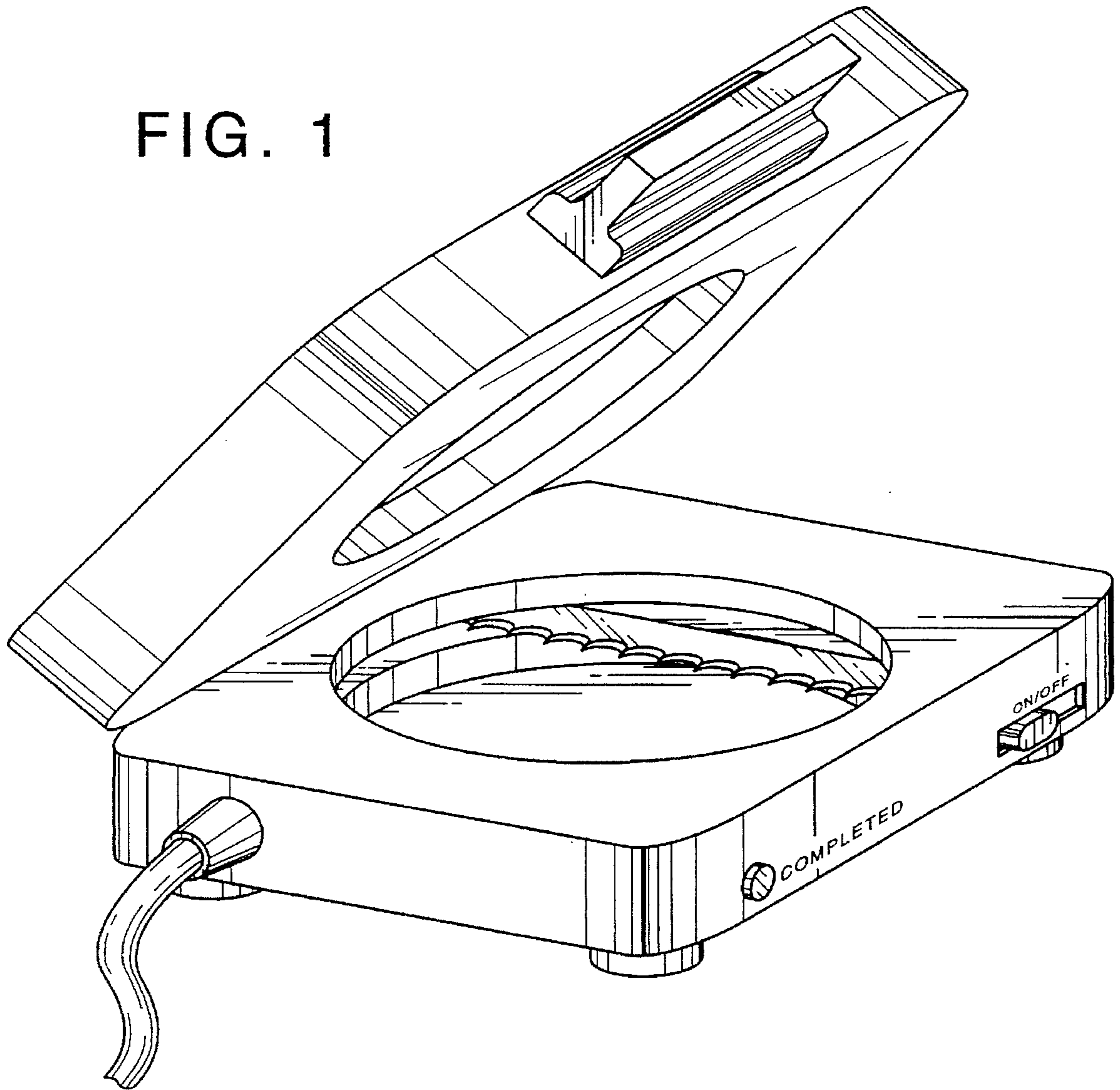


FIG. 1



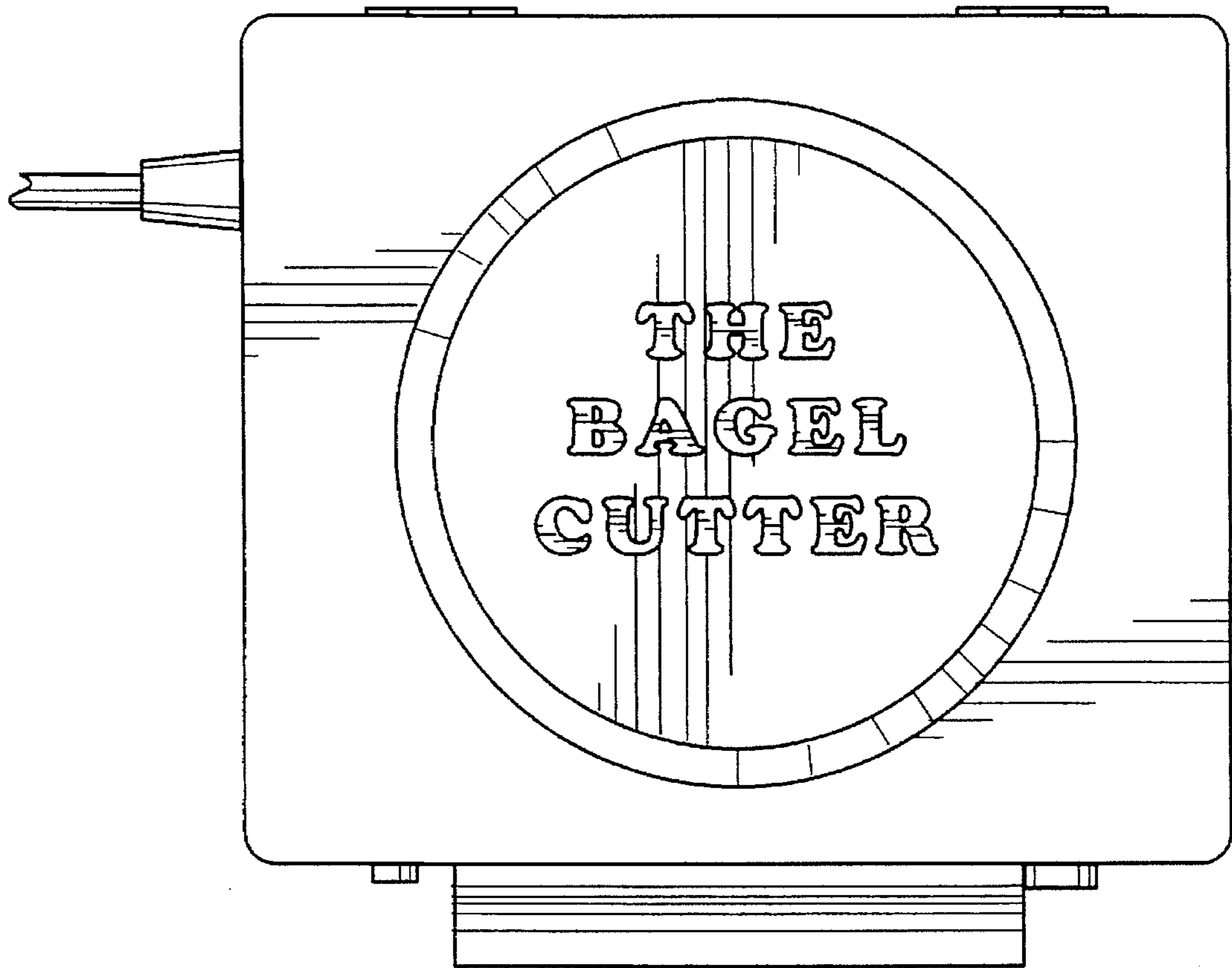


FIG. 2

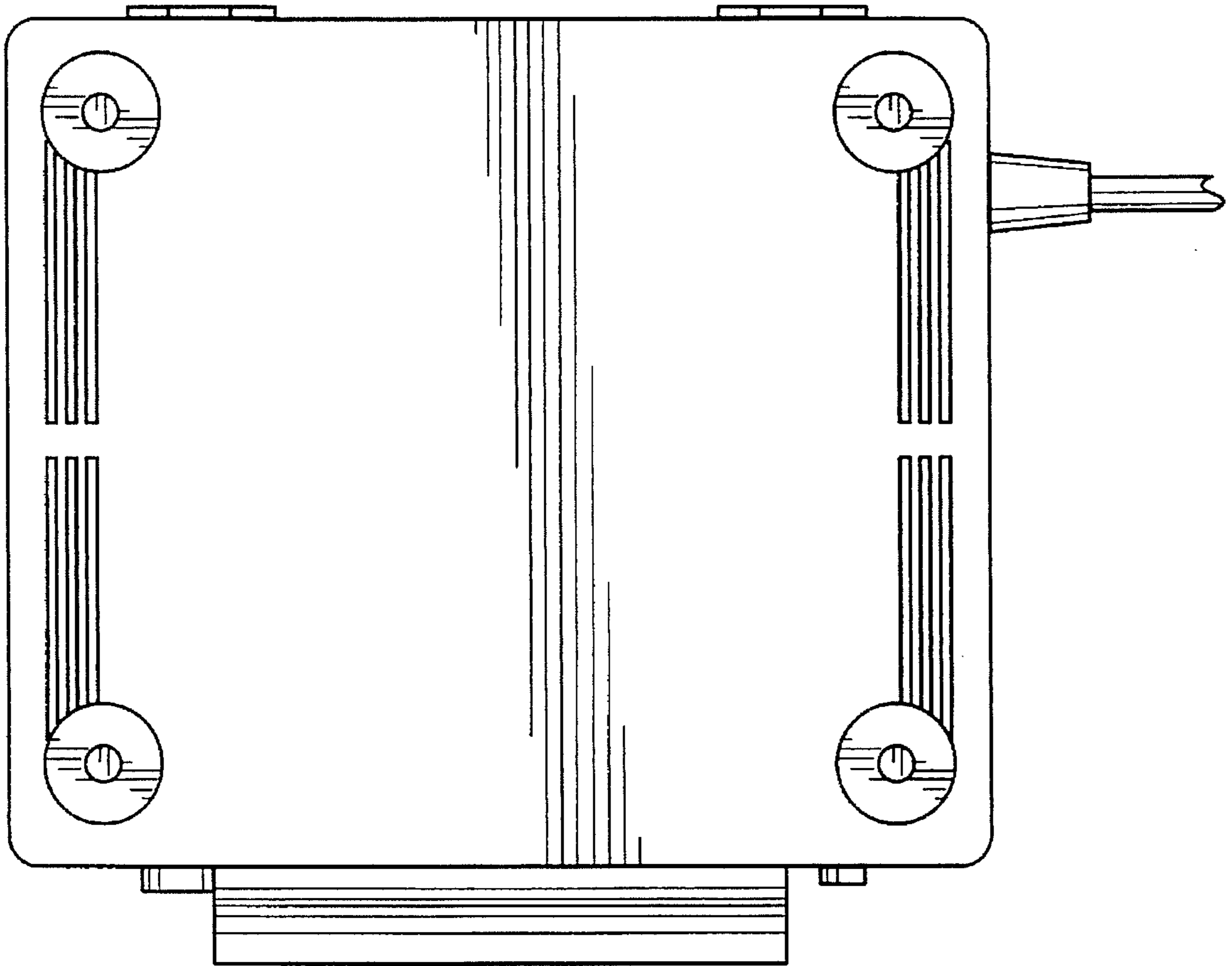


FIG. 3

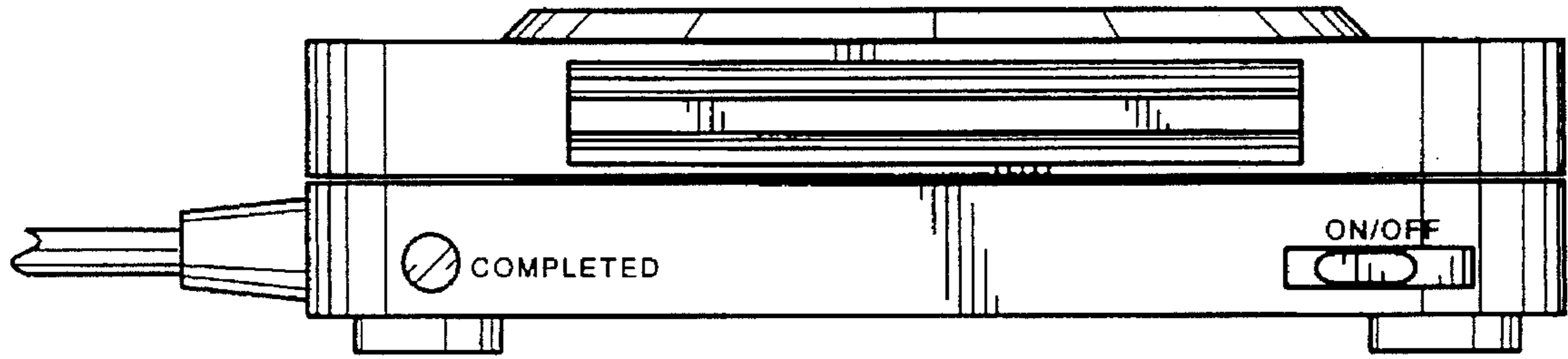
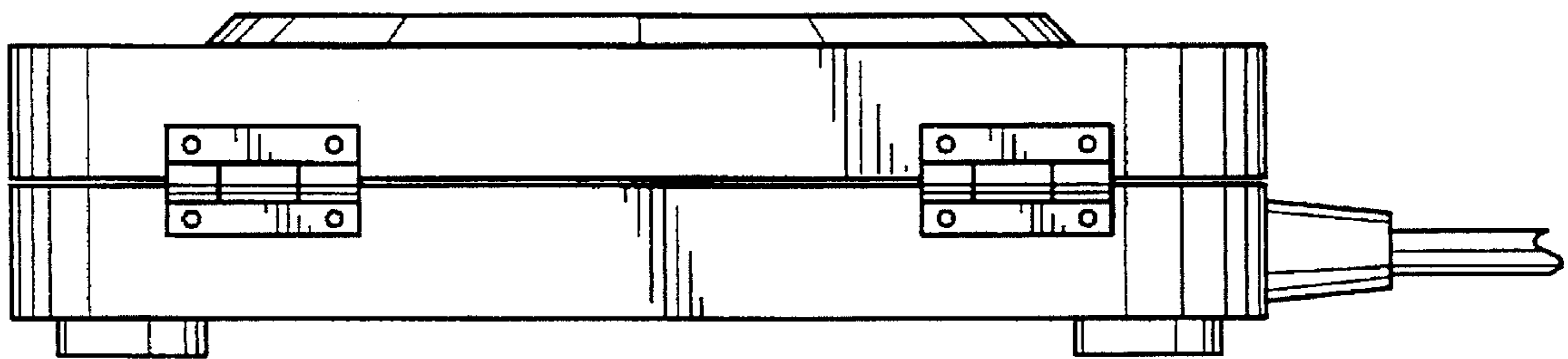


FIG. 4

FIG. 5



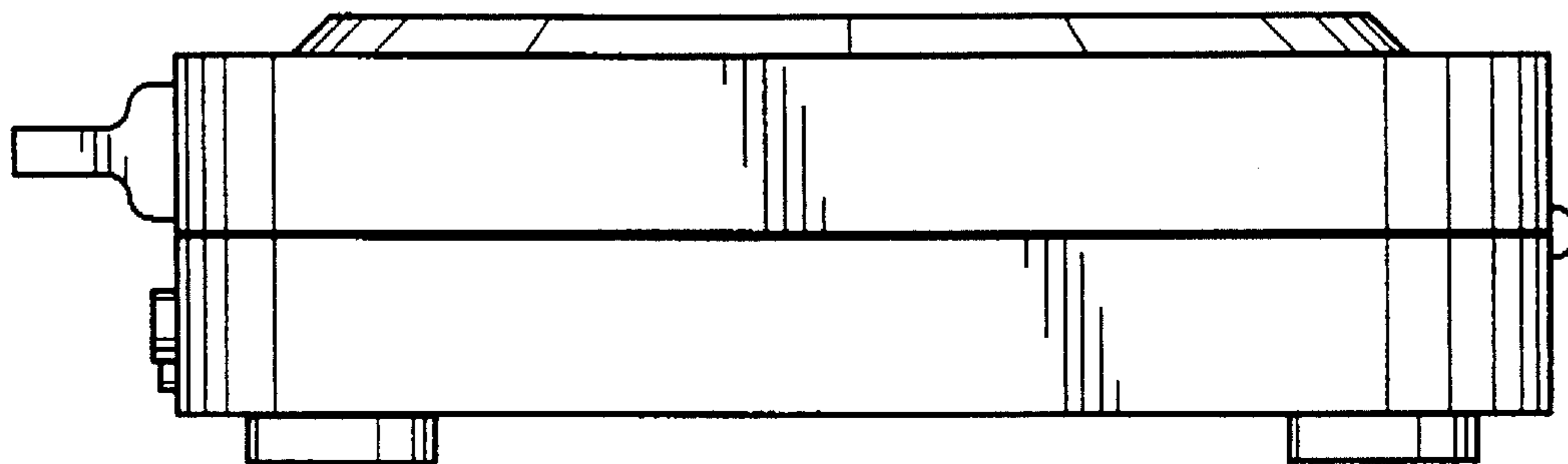


FIG. 6

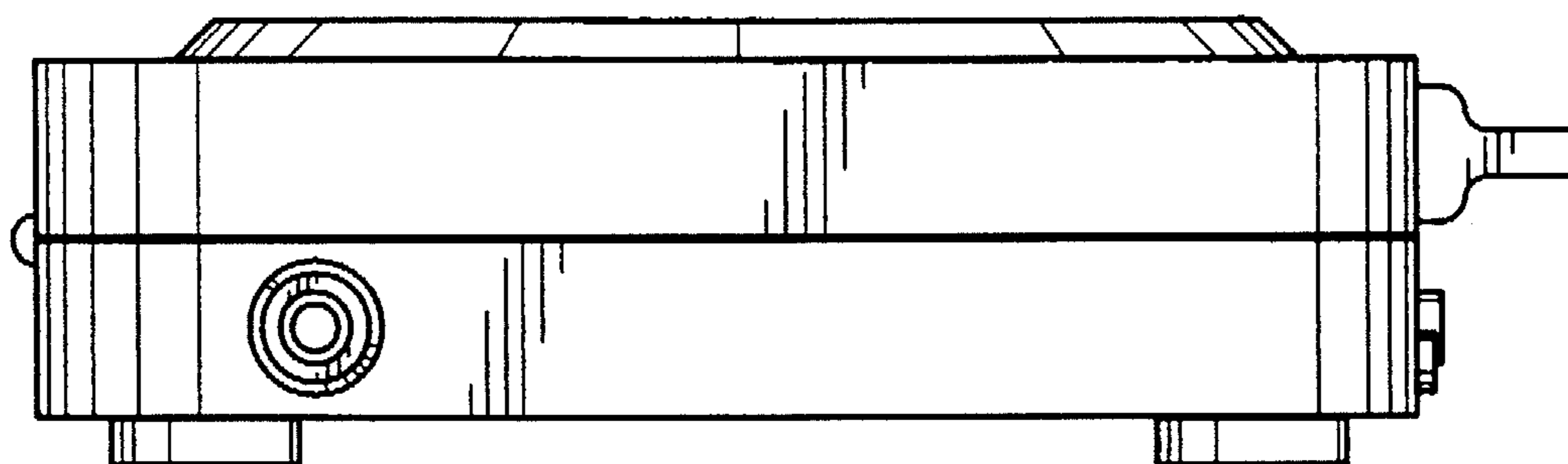


FIG. 7