



US00D378966S

United States Patent [19] Helmsderfer

[11] Patent Number: Des. 378,966
[45] Date of Patent: **Apr. 29, 1997

[54] PLATFORM FOR A BABY DIAPER
CHANGING STATION
[76] Inventor: John A. Helmsderfer, 1033 Windsor
Ct., Cincinnati, Ohio 45206
[**] Term: 14 Years
[21] Appl. No.: 41,804
[22] Filed: Jul. 24, 1995

Related U.S. Application Data

[63] Continuation of Ser. No. 478,951, Jun. 7, 1995.
[52] U.S. Cl. D6/555
[58] Field of Search D6/512, 514, 553,
D6/555, 567, 574, 509-511; 211/13, 34-35,
65, 69.1, 70.6, 70.7, 86-87

References Cited

U.S. PATENT DOCUMENTS

- D. 179,871 3/1957 Wrablica, Jr. D6/555
- D. 243,048 1/1977 Touchett .
- D. 243,213 2/1977 Kormos .
- D. 246,682 12/1977 Nakao .
- D. 248,805 8/1978 Bridges .
- D. 249,991 10/1978 Bridges .
- D. 250,800 1/1979 Trossman .
- D. 251,039 2/1979 Reppas .
- D. 255,734 7/1980 Liebman .
- D. 260,827 9/1981 Sommer .
- D. 263,532 3/1982 Ferdinand et al. .
- D. 265,703 8/1982 Zaro .
- D. 267,843 2/1983 Sundberg .
- D. 272,402 1/1984 Marrujo D6/511 X
- D. 274,105 6/1984 Brescia et al. .
- D. 277,819 3/1985 Brescia et al. .
- D. 283,189 4/1986 Hampton .
- D. 284,530 7/1986 Riehm .
- D. 284,531 7/1986 Riehm .
- D. 284,723 7/1986 Morris et al. .
- D. 287,200 12/1986 Gecchelin .
- D. 287,318 12/1986 Garduno .
- D. 293,403 12/1987 Umanoff .
- D. 293,404 12/1987 Murphy .
- D. 294,096 2/1988 Murphy .
- D. 295,007 4/1988 Hardy et al. .

- D. 299,687 2/1989 Handler et al. .
- D. 302,088 7/1989 Burt D6/555
- D. 312,185 11/1990 Prater, Sr. .
- D. 313,516 1/1991 Socher .
- D. 314,112 1/1991 Dainty .
- D. 314,486 2/1991 Day .
- D. 318,307 7/1991 Hahn et al. .
- D. 322,531 12/1991 Hobson .
- D. 325,309 4/1992 Worrell D6/509
- D. 325,826 5/1992 Brunner et al. .
- D. 326,384 5/1992 Burt et al. .
- D. 327,786 7/1992 Ferrell .
- D. 332,197 1/1993 Chase .
- D. 333,389 2/1993 Saito et al. .
- D. 333,923 3/1993 Dainty .
- D. 336,192 6/1993 Wedecking D6/511
- D. 344,869 3/1994 Paradis et al. .
- 2,174,363 9/1939 Eubank 211/87 X
- 4,074,635 2/1978 Stauble .
- 4,125,192 11/1978 Dayen .
- 4,133,063 1/1979 Jones-Steele .
- 4,205,669 6/1980 Hamann .
- 4,216,951 8/1980 Griffin .
- 4,527,830 7/1985 Meyers .
- 4,633,789 1/1987 Kortering et al. .
- 4,712,258 12/1987 Eves .
- 4,723,493 2/1988 Siani et al. .
- 4,788,726 12/1988 Rafalko .
- 4,796,314 1/1989 Garduno .
- 4,972,532 11/1990 Juan .
- 5,081,724 1/1992 Takahashi et al. .

Primary Examiner—Brian N. Vinson
Attorney, Agent, or Firm—Wood, Herron & Evans, P.L.L.

[57] CLAIM

The ornamental design for a platform for a baby diaper changing station, as shown and described.

DESCRIPTION

FIG. 1 is an upper perspective view of a baby diaper changing station with a platform in open position on a wall and incorporating the new design of the invention, shown in full lines, with the broken lines illustrating the environment of the design;

FIG. 2 is a lower perspective view thereof;

FIG. 3 is a front perspective view thereof with the platform of the baby diaper changing station in a stowed position against the wall;

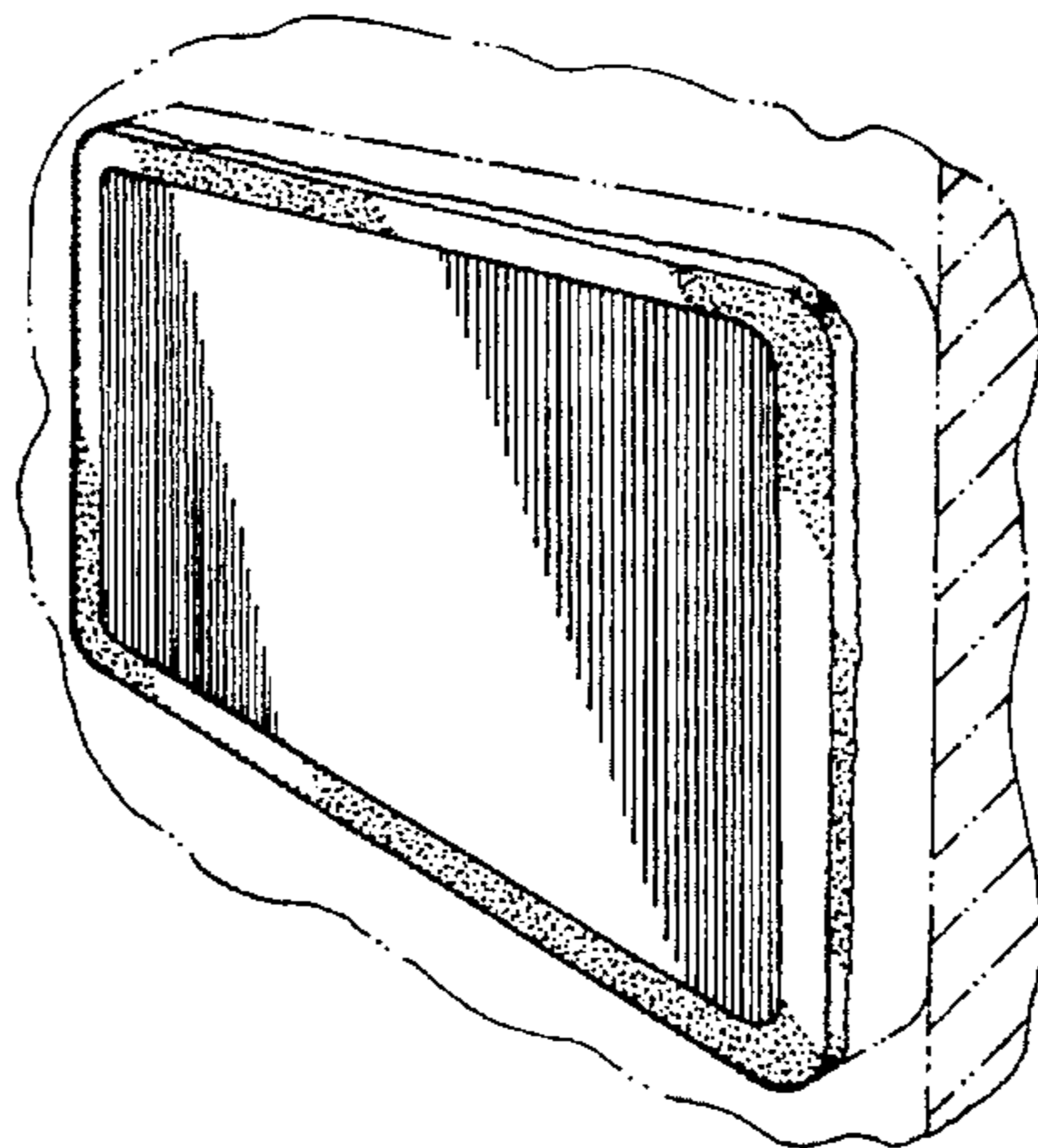


FIG. 4 is a front view of the baby diaper changing station platform;

FIG. 5 is a top view of the baby diaper changing station platform with the bottom view being a mirror image thereof; and,

FIG. 6 is a side view of the baby diaper changing station platform with the other side view being a mirror image thereof.

1 Claim, 2 Drawing Sheets

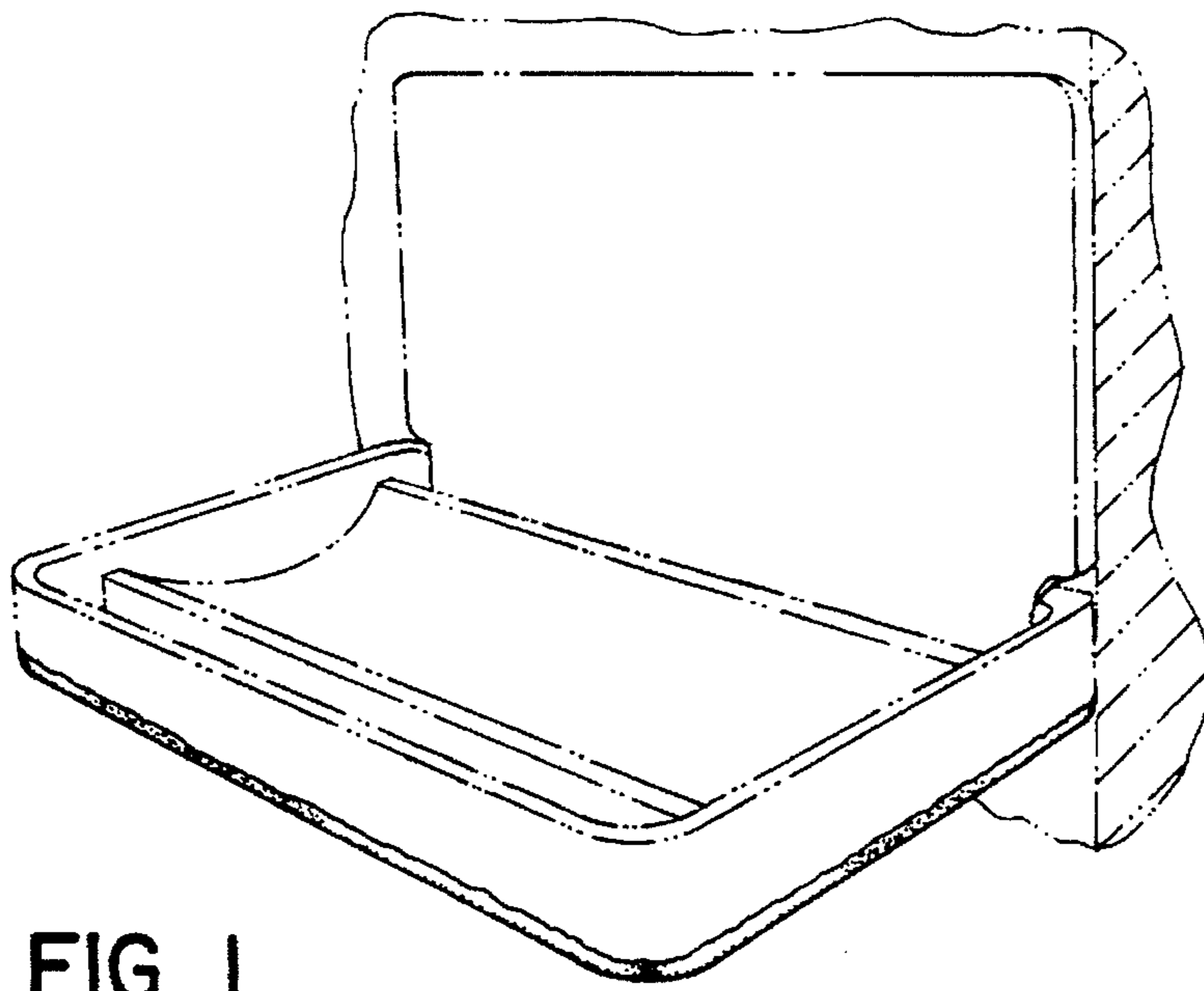


FIG. 1

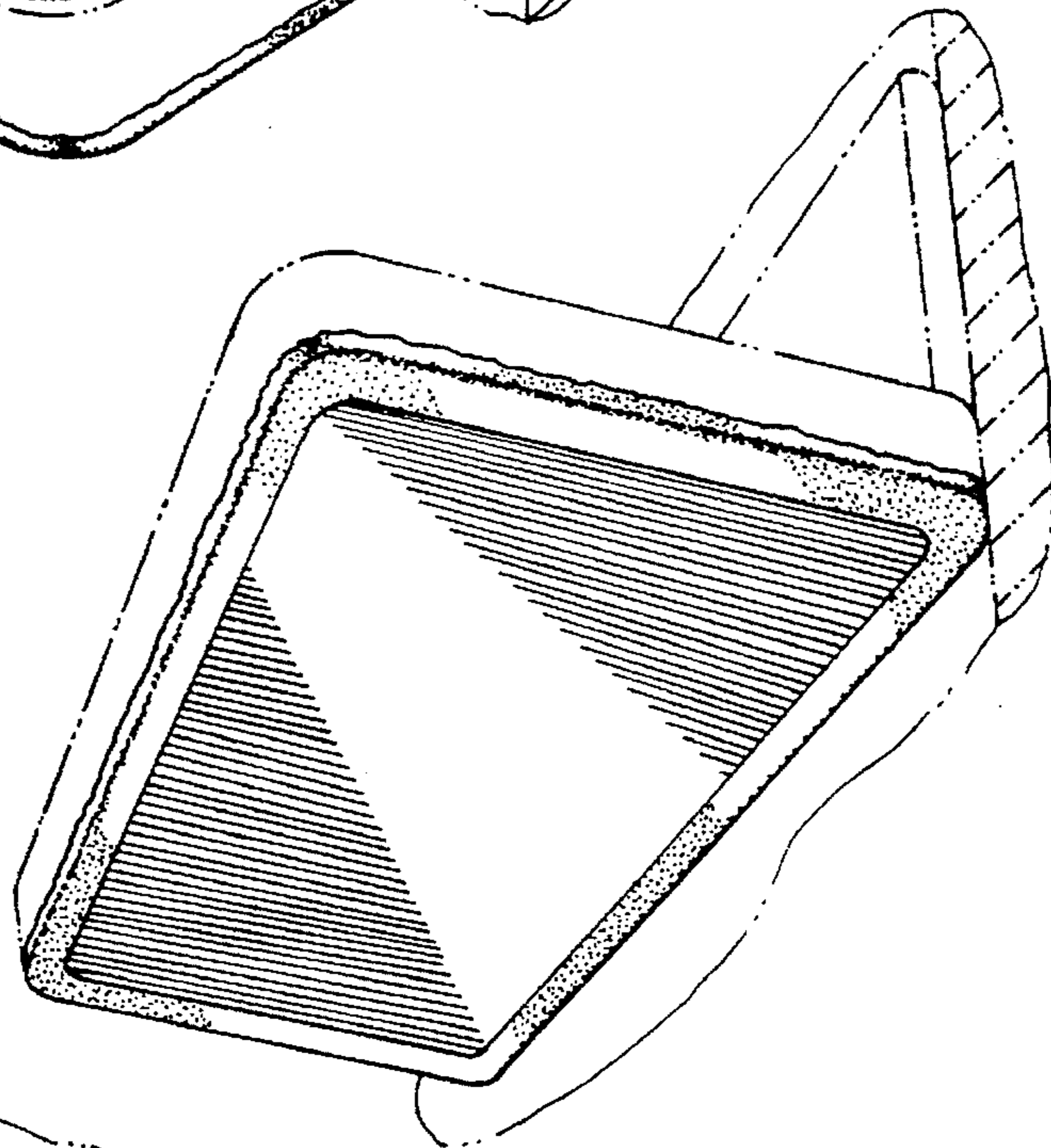


FIG. 2

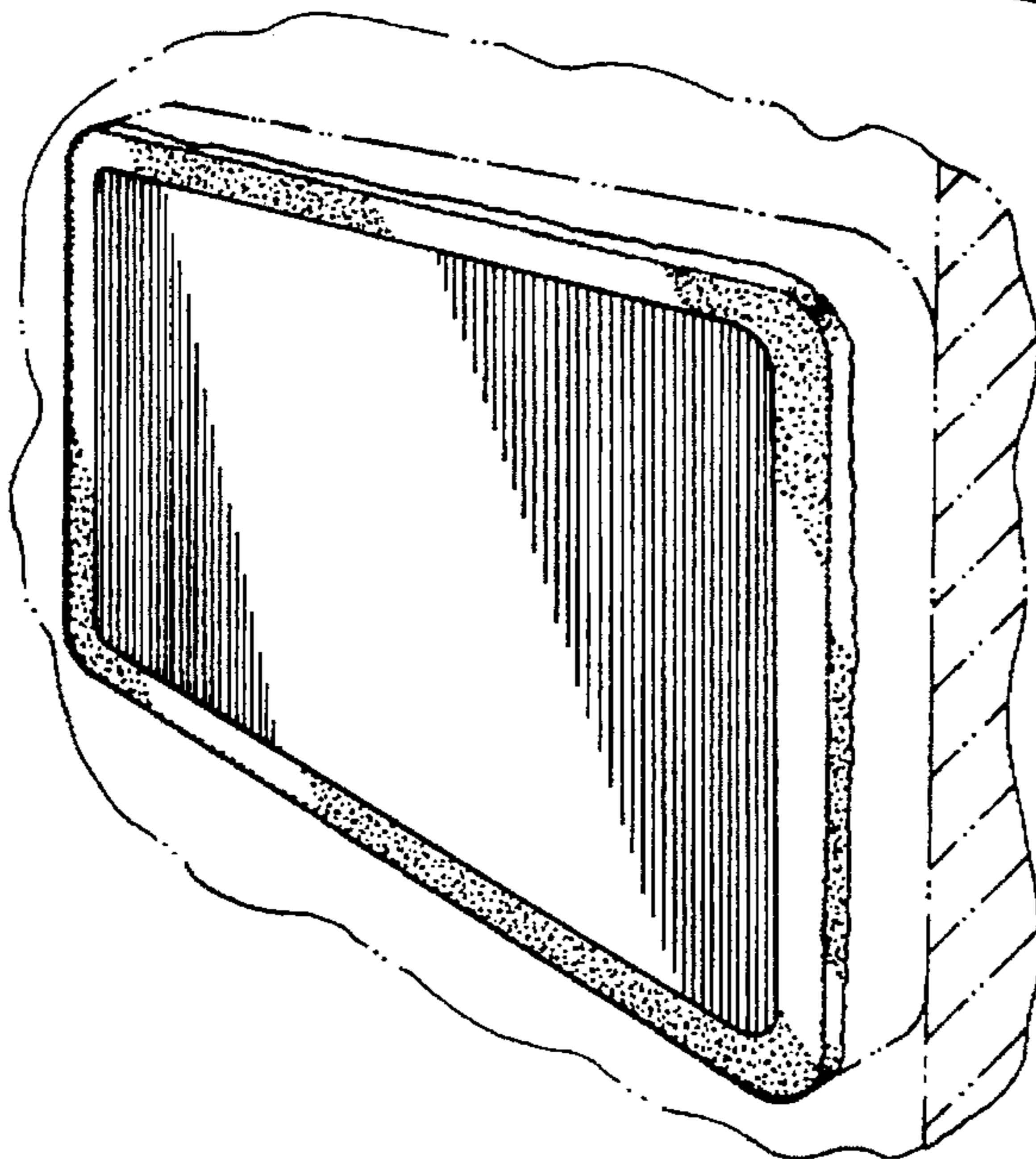


FIG. 3

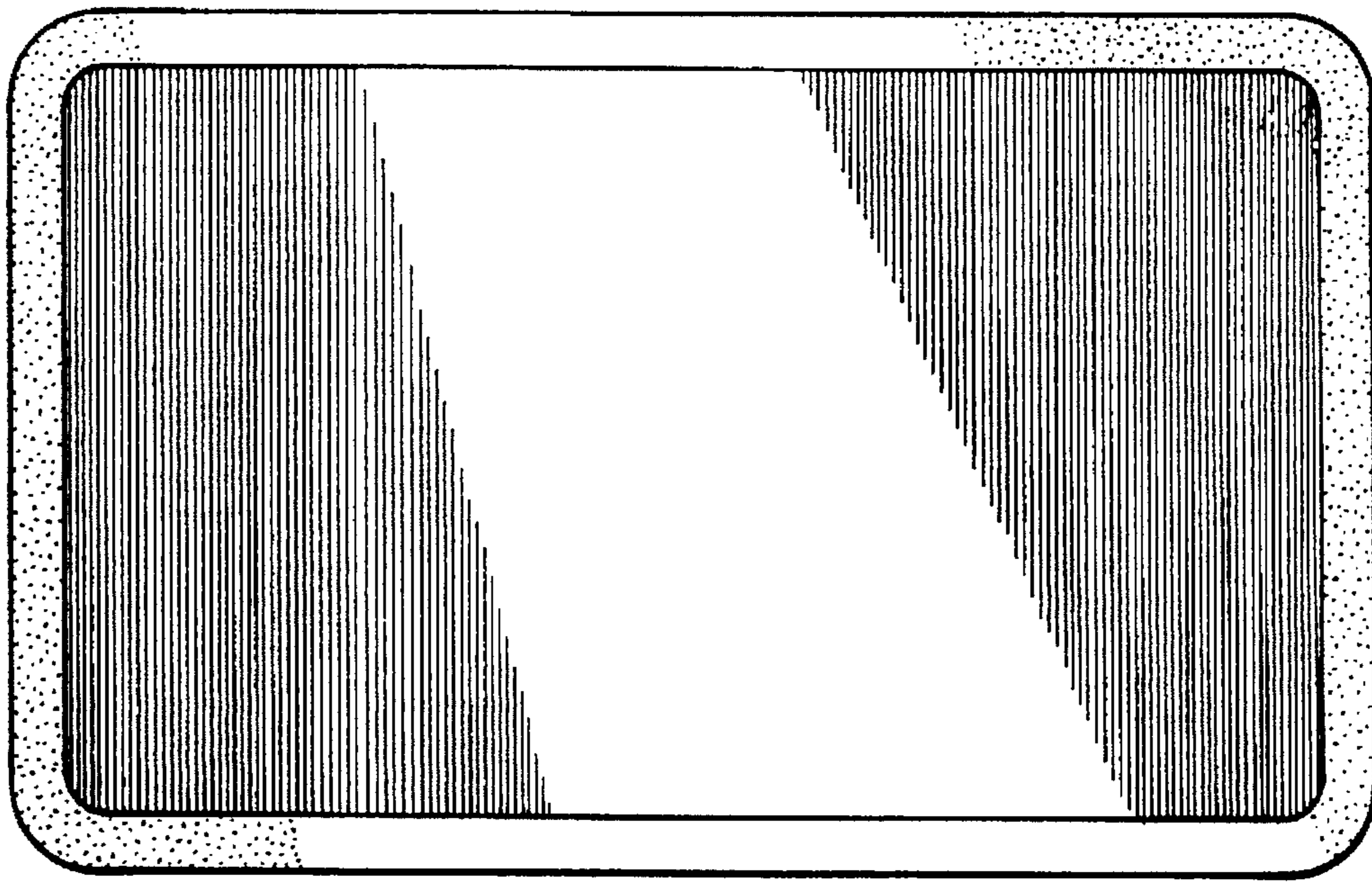


FIG. 4

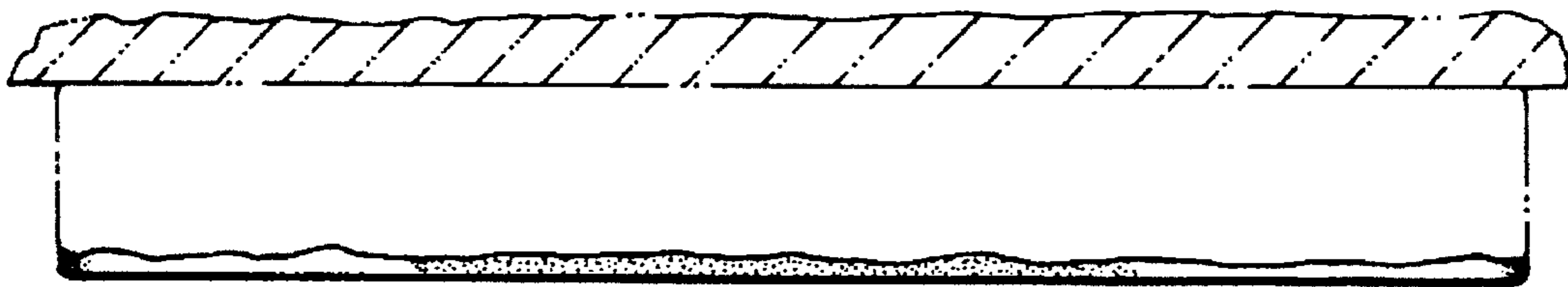


FIG. 5

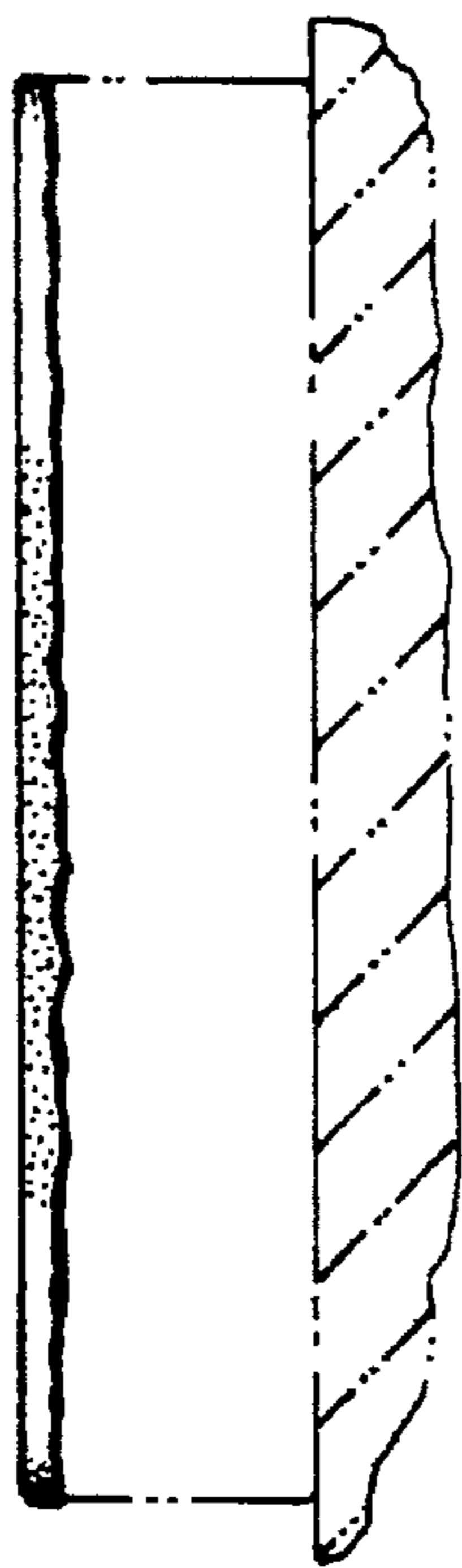


FIG. 6