

US00D378964S

United States Patent [19]
Yeh

[11] **Patent Number: Des. 378,964**

[45] **Date of Patent: **Apr. 29, 1997**

[54] **NIGHT TABLE**

[76] **Inventor: John Yeh, 660 S. Aberdeen, Anaheim Hills, Calif. 92807**

[**] **Term: 14 Years**

[21] **Appl. No.: 49,886**

[22] **Filed: Feb. 2, 1996**

[52] **U.S. Cl. D6/487; D6/376**

[58] **Field of Search D6/480-489, 495, D6/499, 451, 376, 370, 380; 108/184, 153, 156, 157, 161; 248/188, 188.1**

[56] **References Cited**

U.S. PATENT DOCUMENTS

D. 238,129	12/1975	Jay	D6/484
D. 270,410	9/1983	Sogoian	D6/480
D. 335,056	4/1993	Ma	D6/487
D. 336,797	6/1993	Stone et al.	D6/393

OTHER PUBLICATIONS

DIA 1988, p. 14, 630-11 table at lower left.

Primary Examiner—Janice E. Seeger
Attorney, Agent, or Firm—Francis X. LoJacono

[57] **CLAIM**

The ornamental design for a night table, as shown and described.

DESCRIPTION

FIG. 1 is a perspective view of a night table showing my new design thereof;
FIG. 2 is a front-elevational view thereof;
FIG. 3 is a left side-elevational view thereof;
FIG. 4 is a right side-elevational view thereof;
FIG. 5 is a rear-elevational view thereof;
FIG. 6 is a top plan view thereof; and,
FIG. 7 is a bottom plan view thereof.

1 Claim, 2 Drawing Sheets

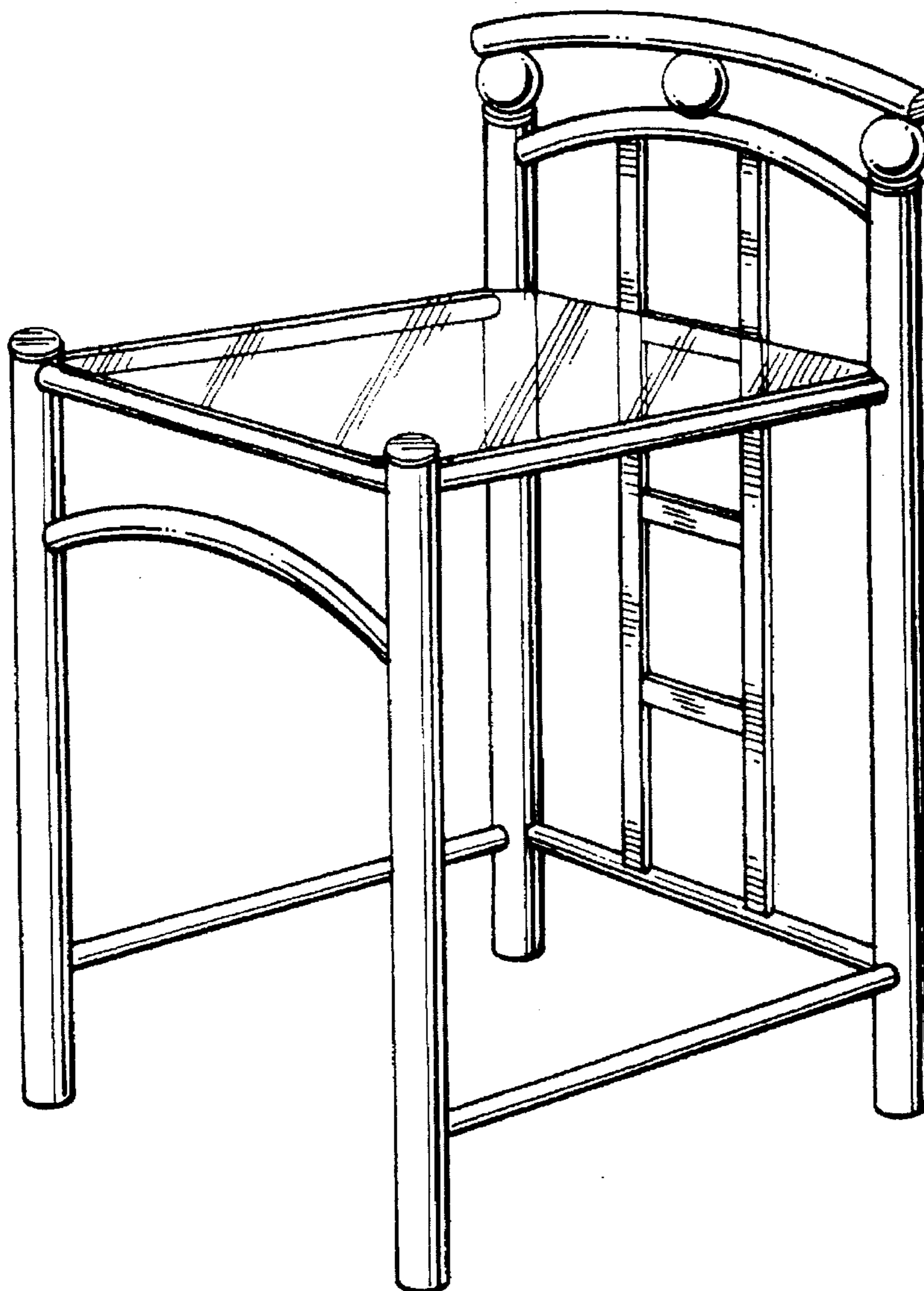


FIG. 1

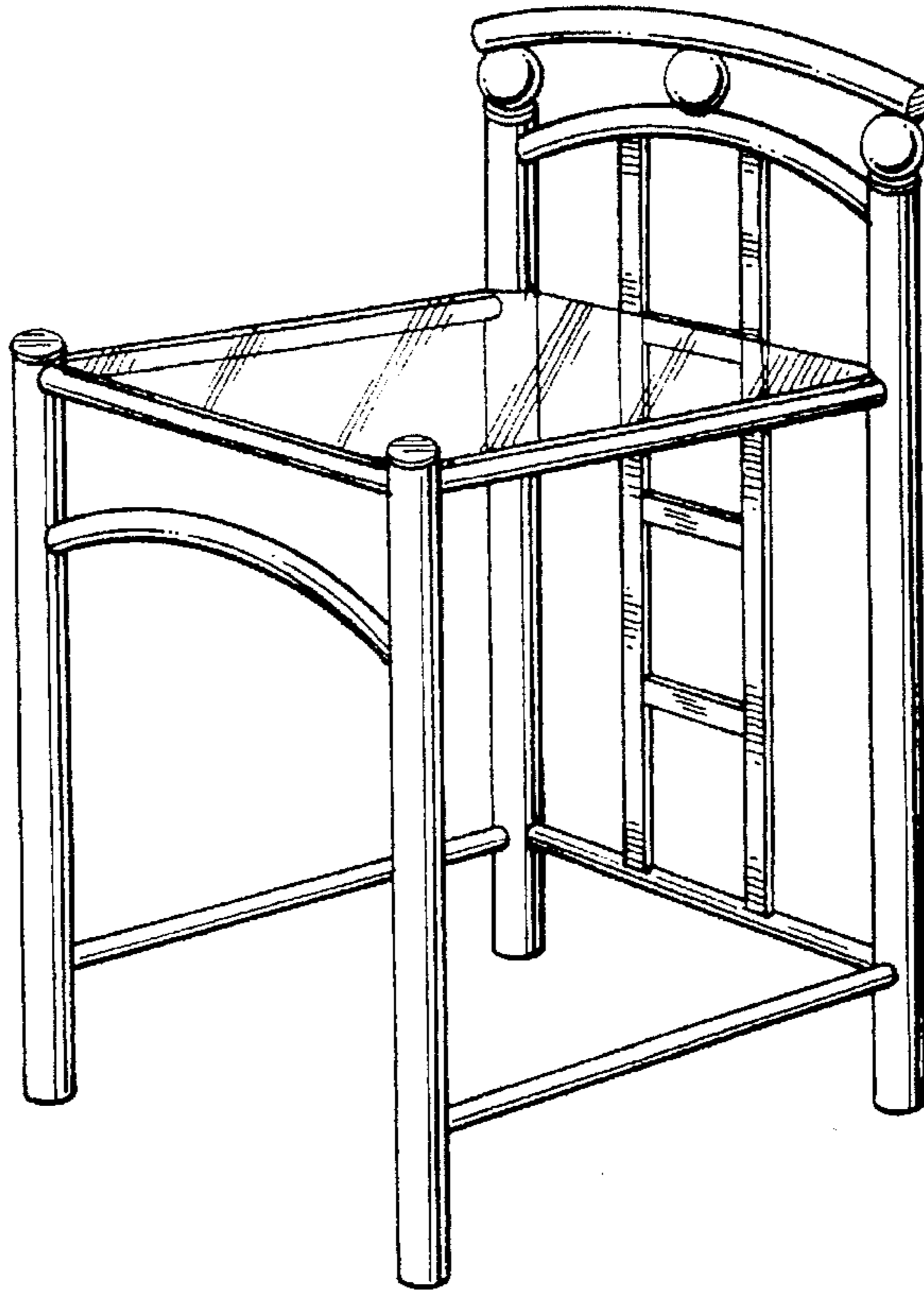


FIG. 2

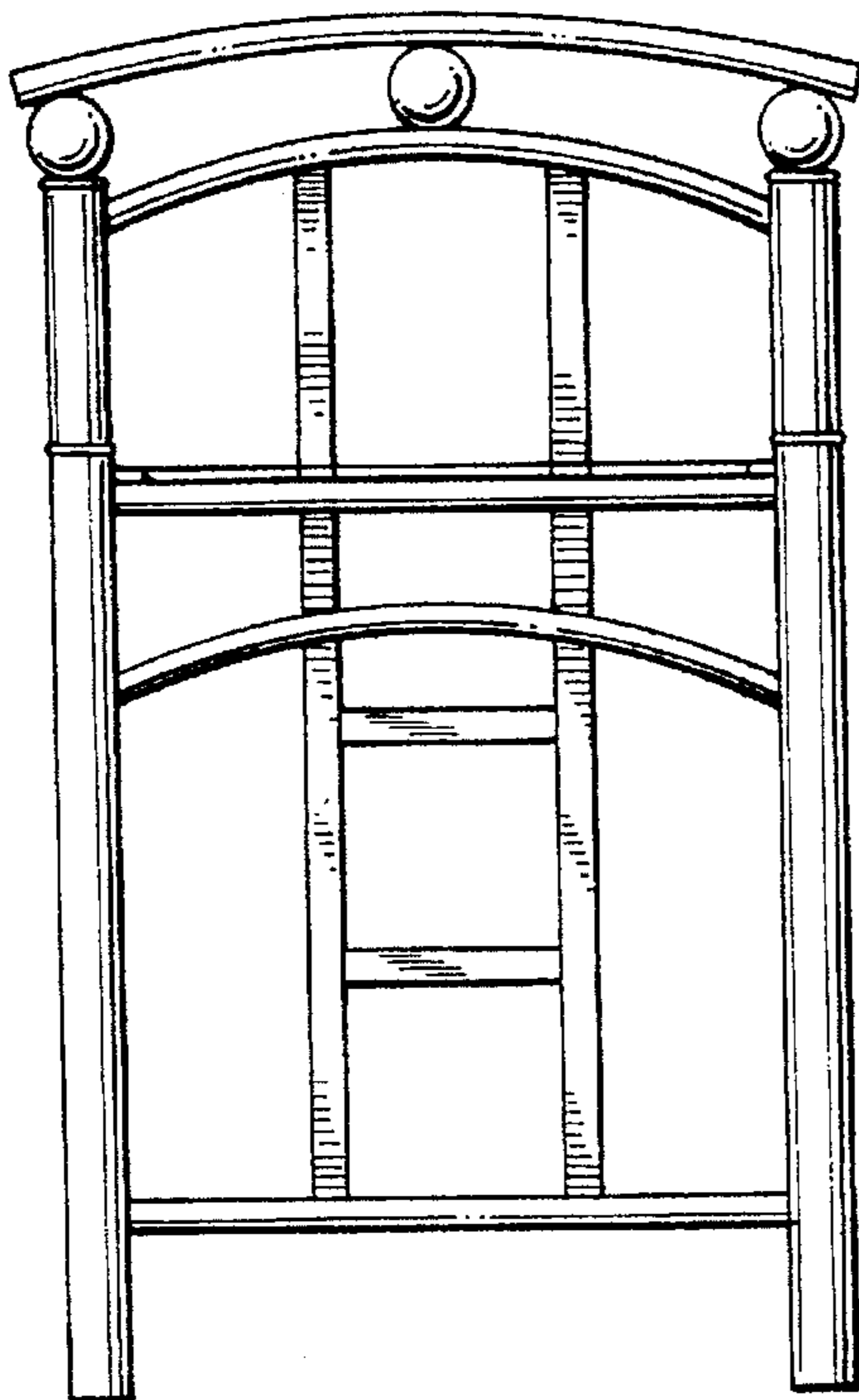


FIG. 3

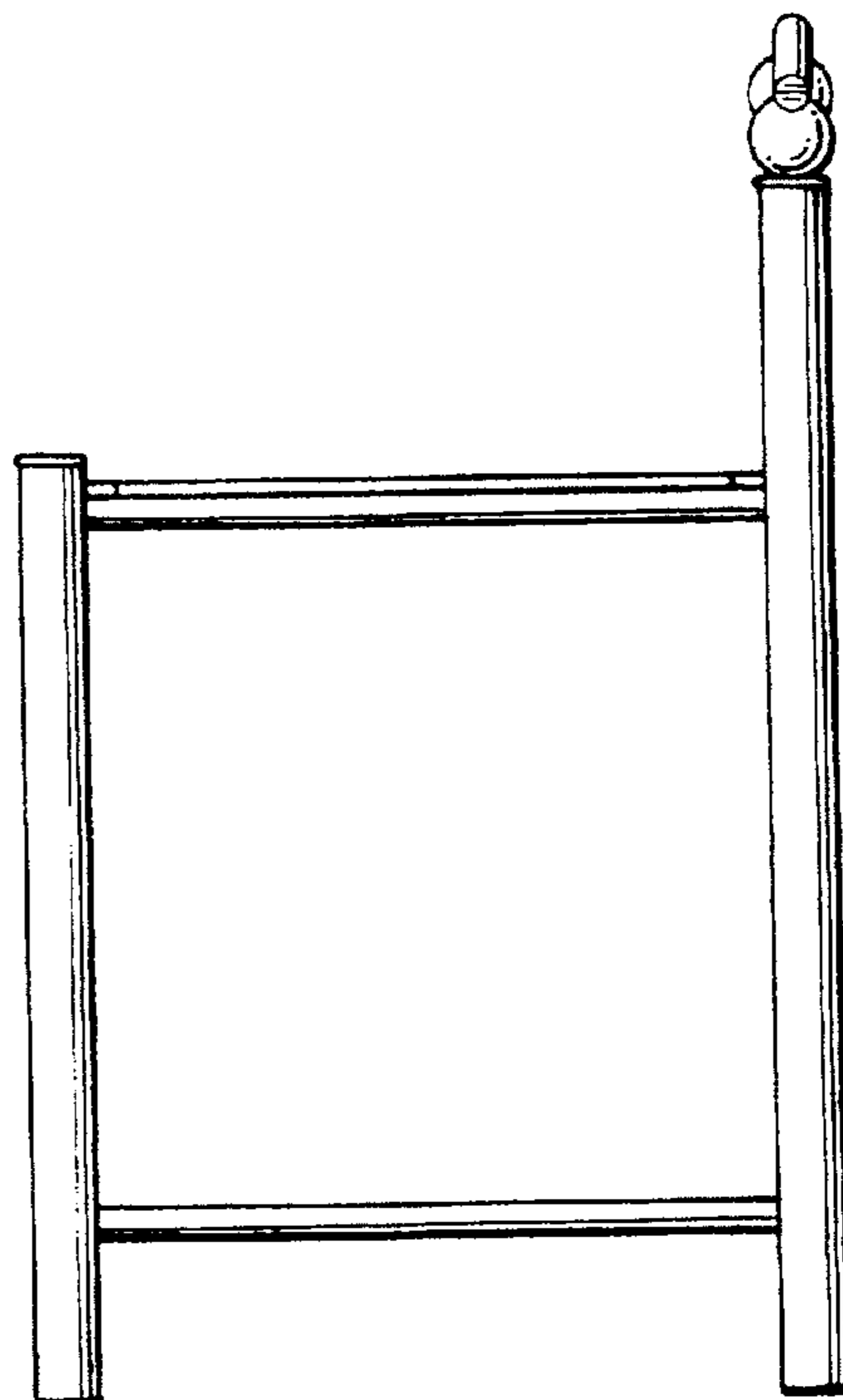


FIG. 4

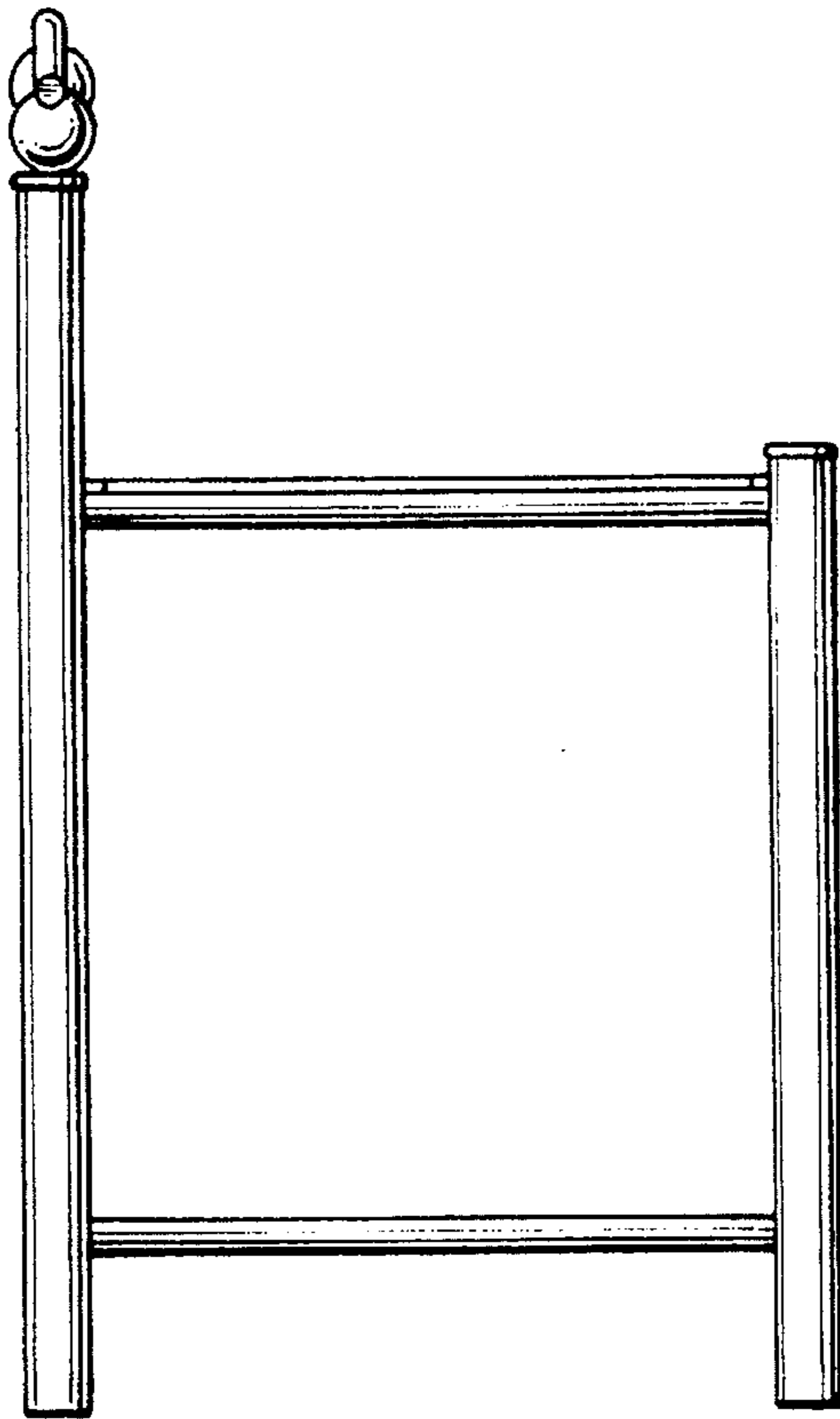


FIG. 5

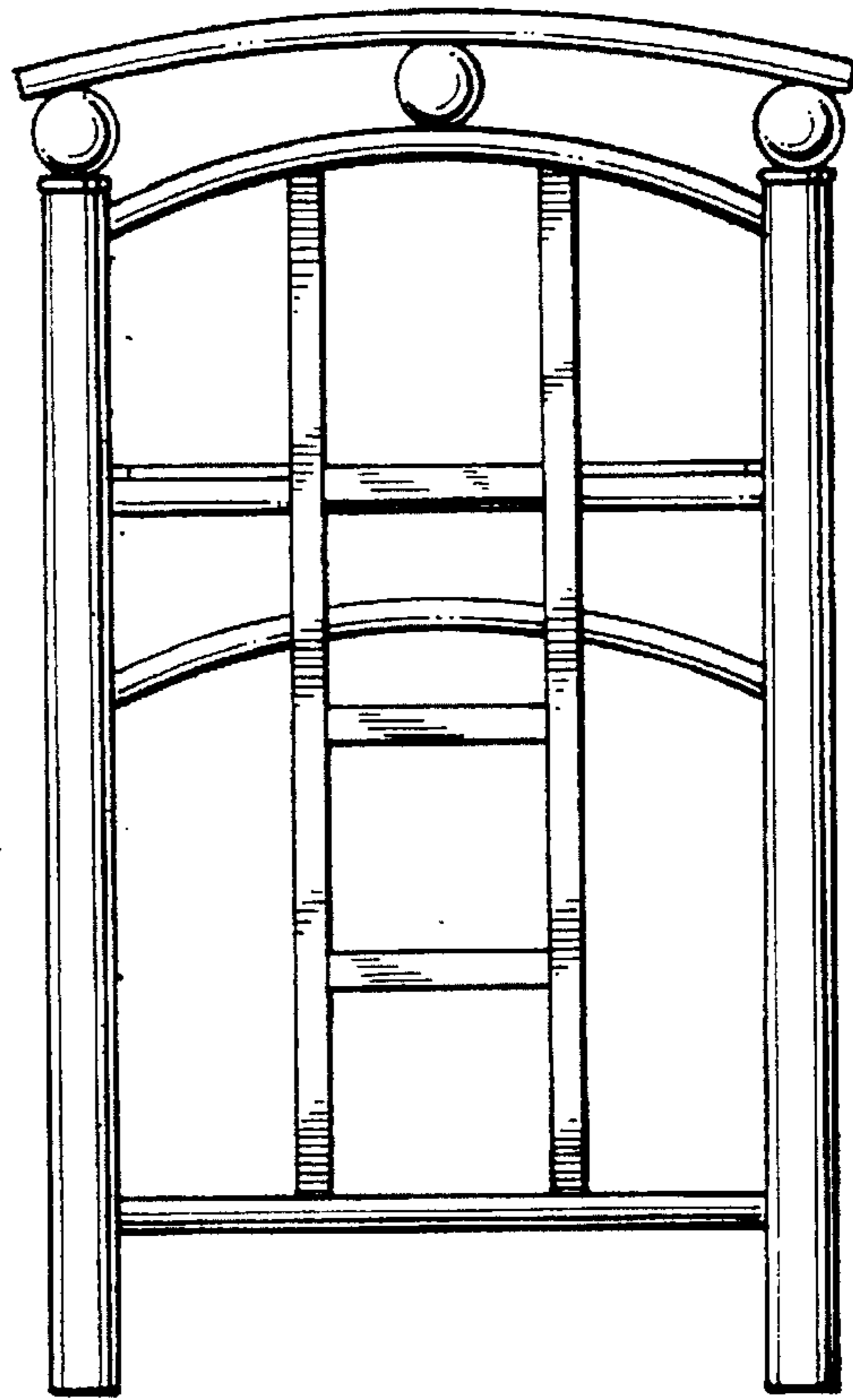


FIG. 6

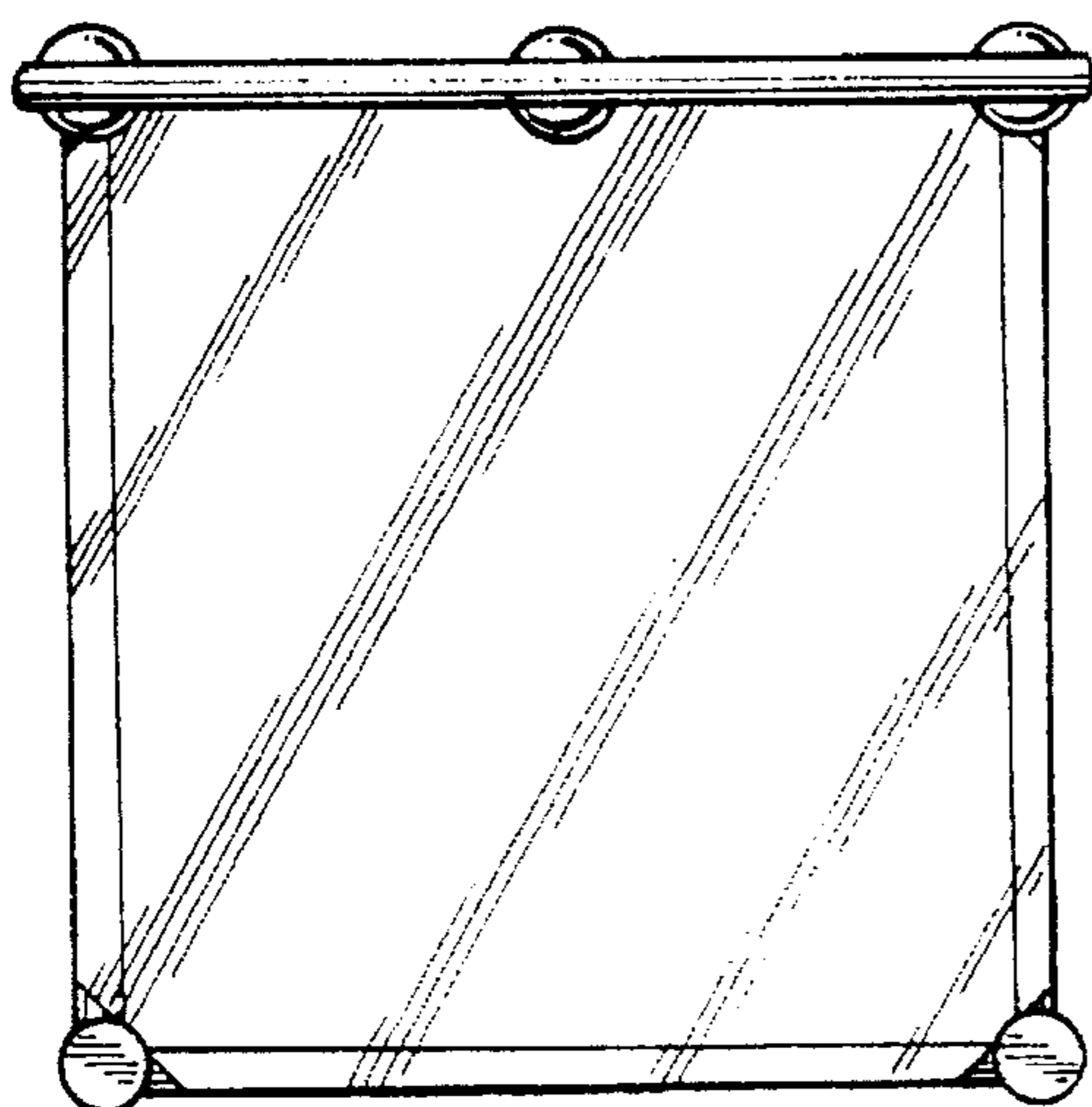


FIG. 7

