



US00D378961S

United States Patent [19]

Nordstrom et al.

[11] Patent Number: Des. 378,961

[45] Date of Patent: **Apr. 29, 1997

[54] CHAIR FOR DENTAL PATIENTS

[75] Inventors: **Carl G. Nordstrom**, Lake Oswego;
William R. Stewart, Tigard; **Victor D. Rogers**, Portland; **Brad A. Rice**,
Keizer, all of Oreg.

[73] Assignee: **A-Dec, Inc.**, Newberg, Oreg.

[**] Term: **14 Years**

[21] Appl. No.: **44,745**

[22] Filed: **Sep. 27, 1995**

[52] U.S. Cl. **D6/361; D6/361**

[58] Field of Search **D6/334, 335, 336,
D6/360, 361, 367, 500, 501, 502; 297/344.16,
344.17**

[56] References Cited

U.S. PATENT DOCUMENTS

D. 234,071	1/1975	Booth .	
D. 333,736	3/1993	Nordstrom .	
D. 336,381	6/1993	Nordstrom	D6/367
D. 347,946	6/1994	Nordstrom et al. .	
D. 351,742	10/1994	Phleps et al.	D6/367
D. 361,438	8/1995	Spencer et al.	D6/367
3,804,460	4/1974	Leffler .	
3,817,576	6/1974	Ciavattoni et al. .	
4,114,274	9/1978	Jones .	
4,541,671	9/1985	Broadhead et al. .	
4,878,709	11/1989	Okamoto .	
4,929,023	5/1990	Rasmussen .	
5,190,349	3/1993	Austin, Jr. et al. .	

FOREIGN PATENT DOCUMENTS

2157291 1/1973 Germany .

OTHER PUBLICATIONS

8-page brochure entitled "Safety Zone—PROTection for Professionals—THE PROII," Belmont Equipment Corp., New Jersey; Oct. 1986.

Catalogue excerpt, "Chairs and Stools," showing Decade® Units 2040/2041/2042 (pp. 21-22) Sep. 1991.

1-page advertisement for the "System 5000E" chair; Pelson & Crane, circa Jan. 1991.

2-page brochure entitled "2009, Prima ed Unica" Technodent, Jan. 1986.

8-page brochure entitled "PM 2002 CC," Planmeca, Inc., Illinois, circa Jan. 1990.

6-page brochure entitled "2009EU," Tecnodent, Italy Oct. 1992.

Primary Examiner—Gary D. Watson

Attorney, Agent, or Firm—Klarquist Sparkman Campbell Leigh & Winston, LLP

[57] CLAIM

The ornamental design for a chair for dental patients, as shown and described.

DESCRIPTION

FIG. 1 is a perspective view of a chair for dental patients showing our new design;

FIG. 2 is a top plan view;

FIG. 3 is a bottom plan view;

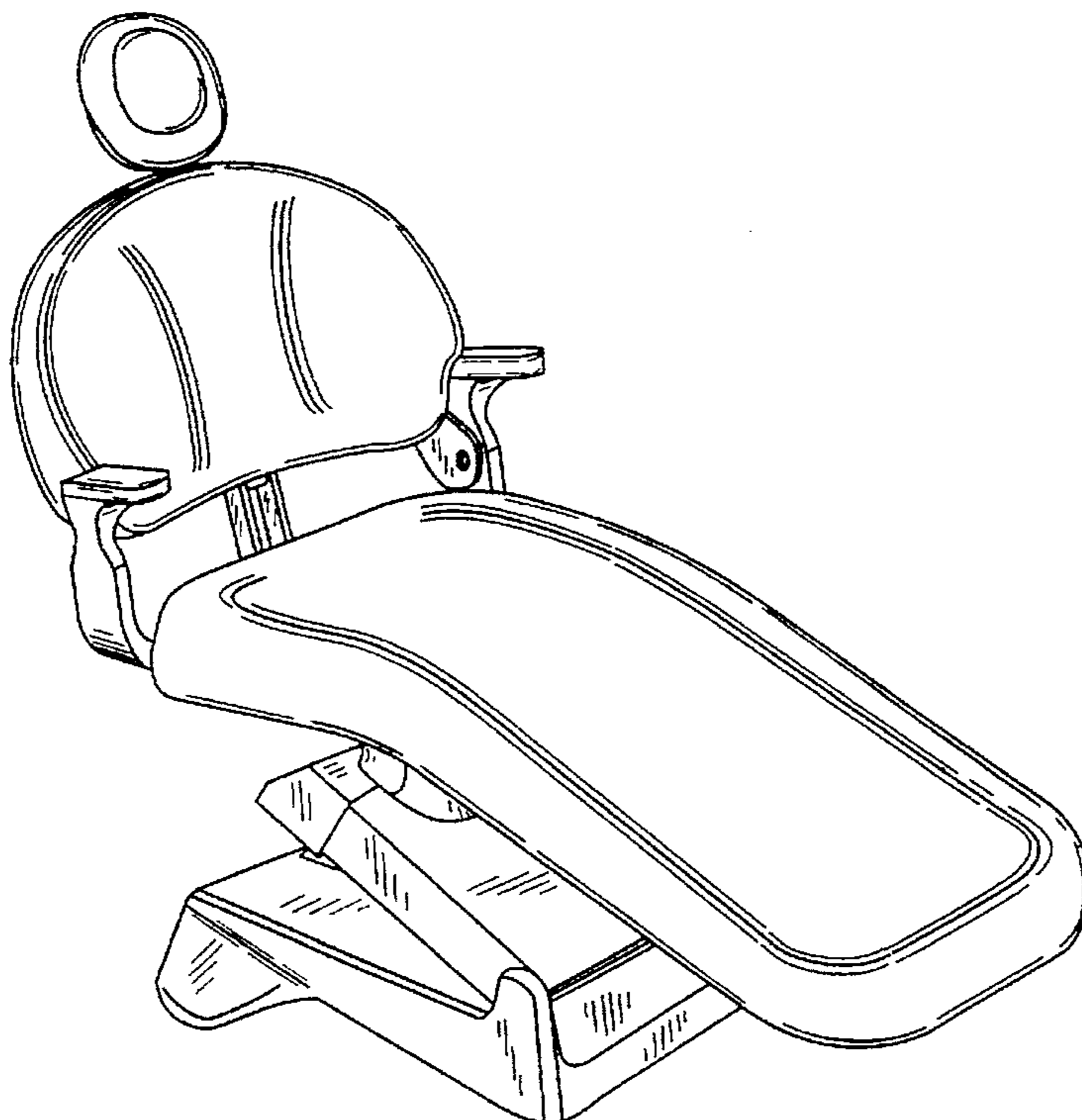
FIG. 4 is a left-side elevational view;

FIG. 5 is a right-side elevational view;

FIG. 6 is a rear elevational view; and,

FIG. 7 is a front elevational view.

1 Claim, 3 Drawing Sheets



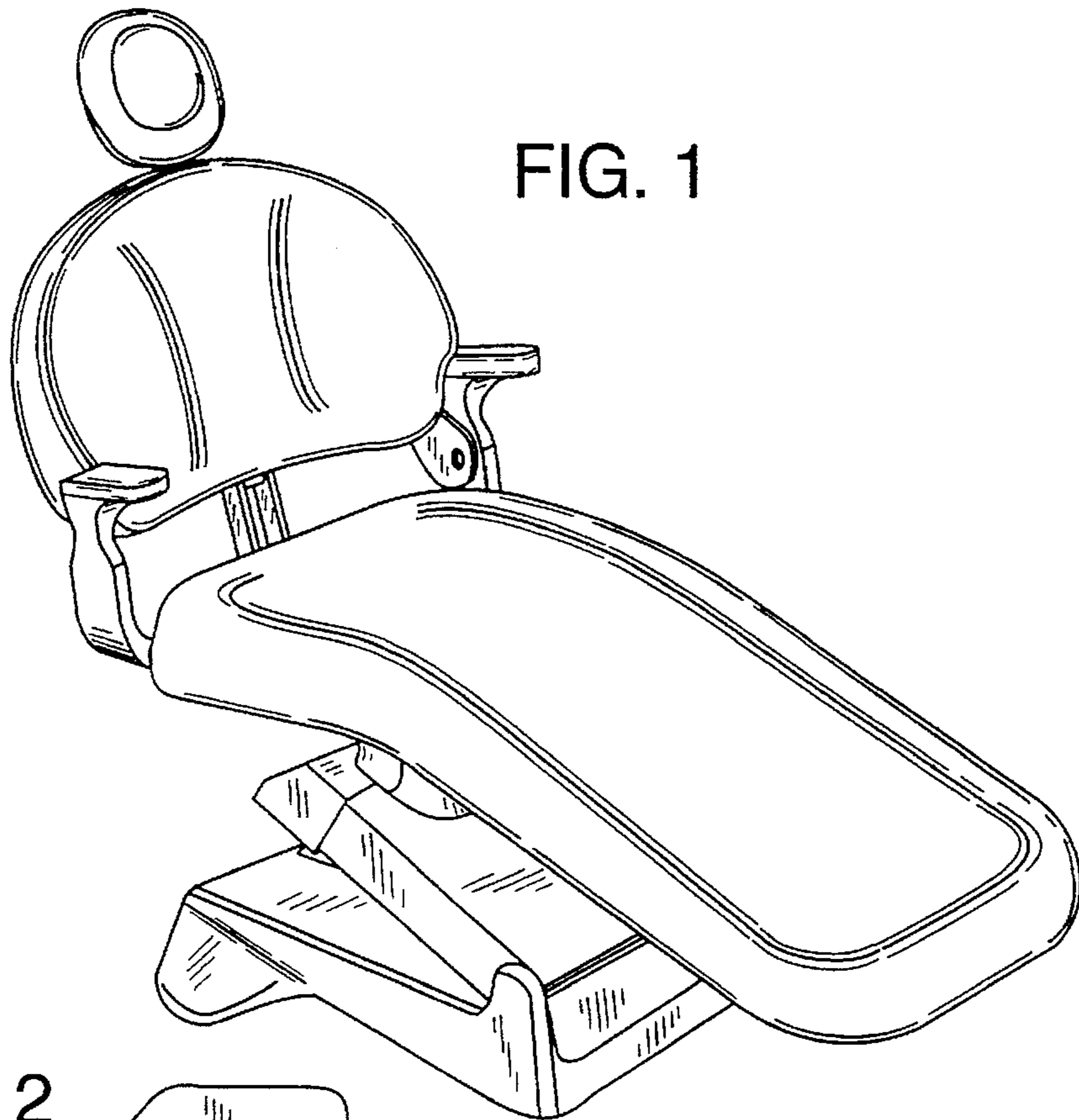


FIG. 1

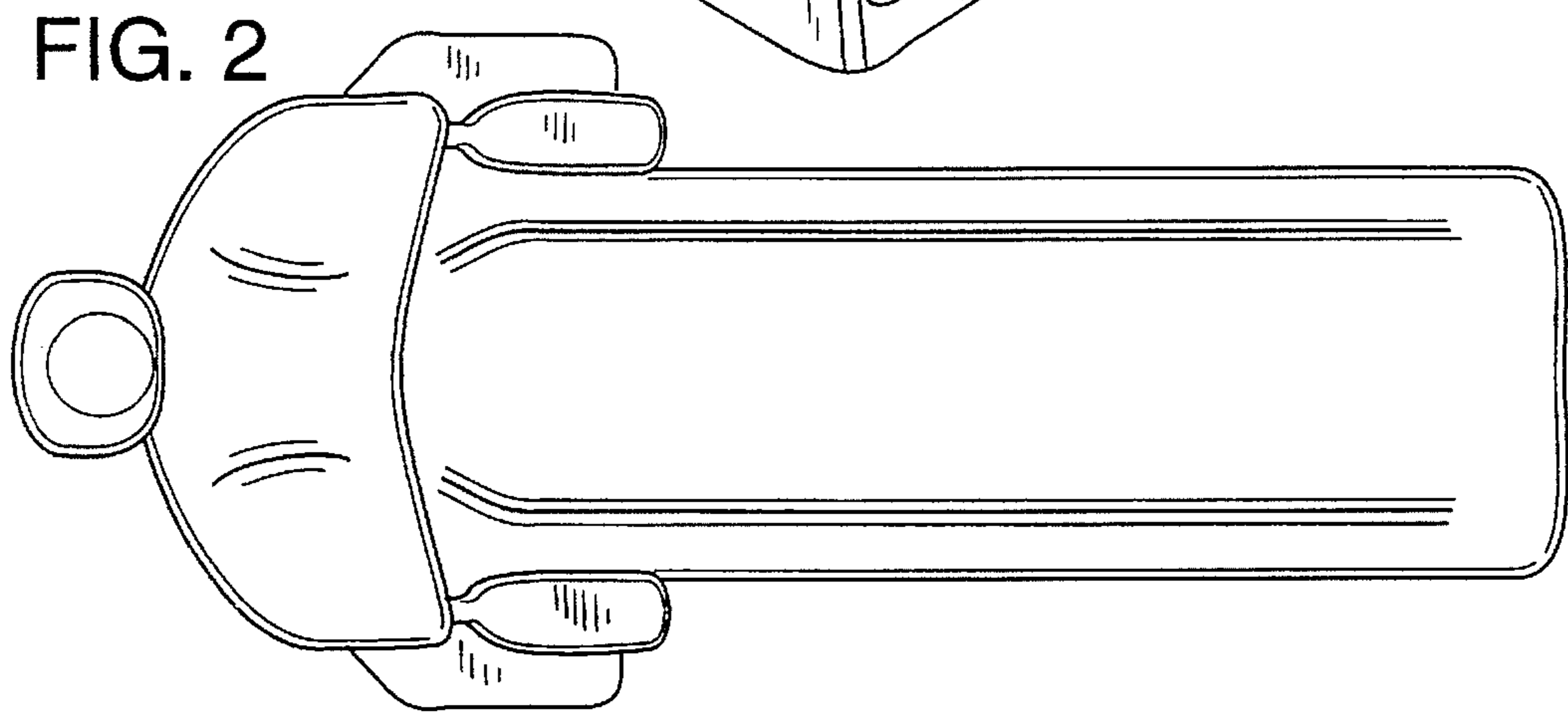


FIG. 2

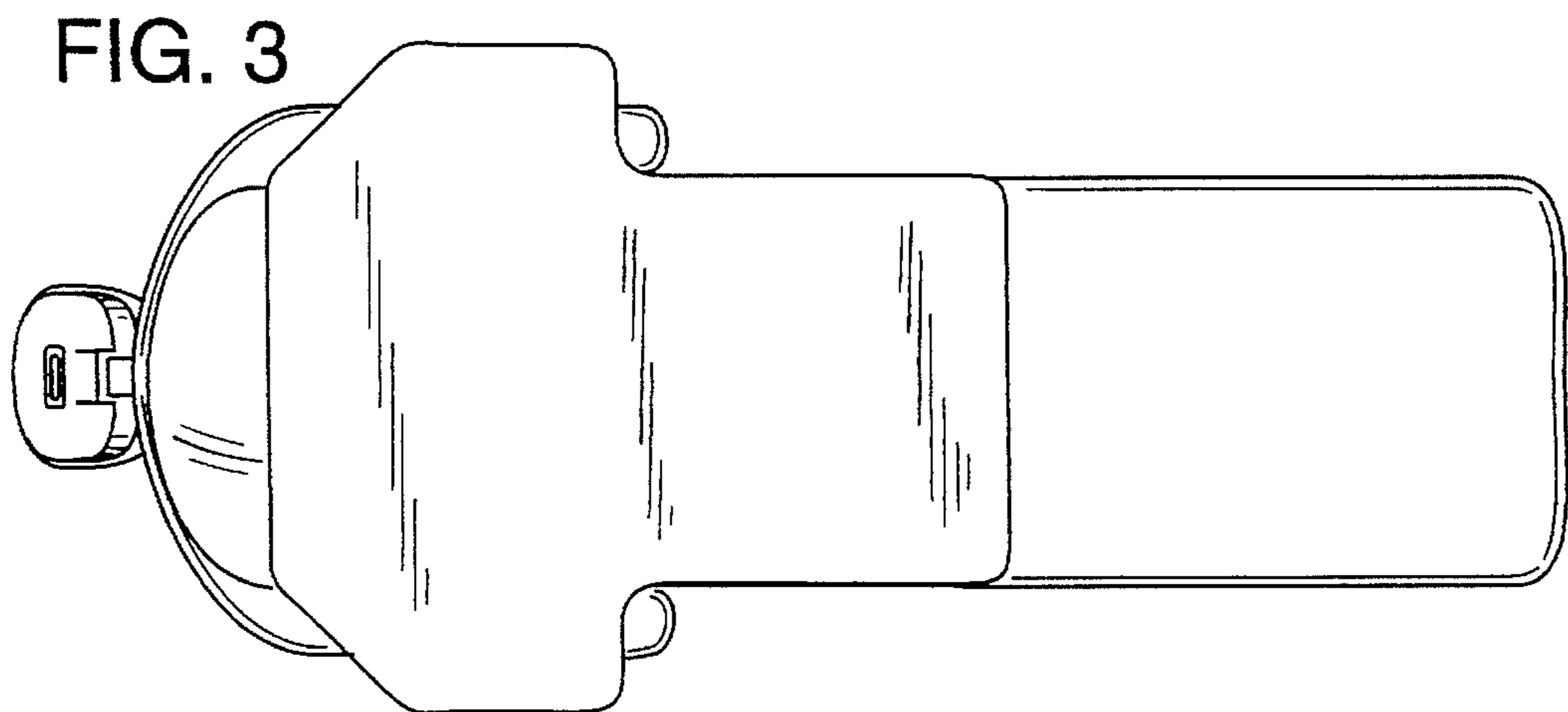


FIG. 3

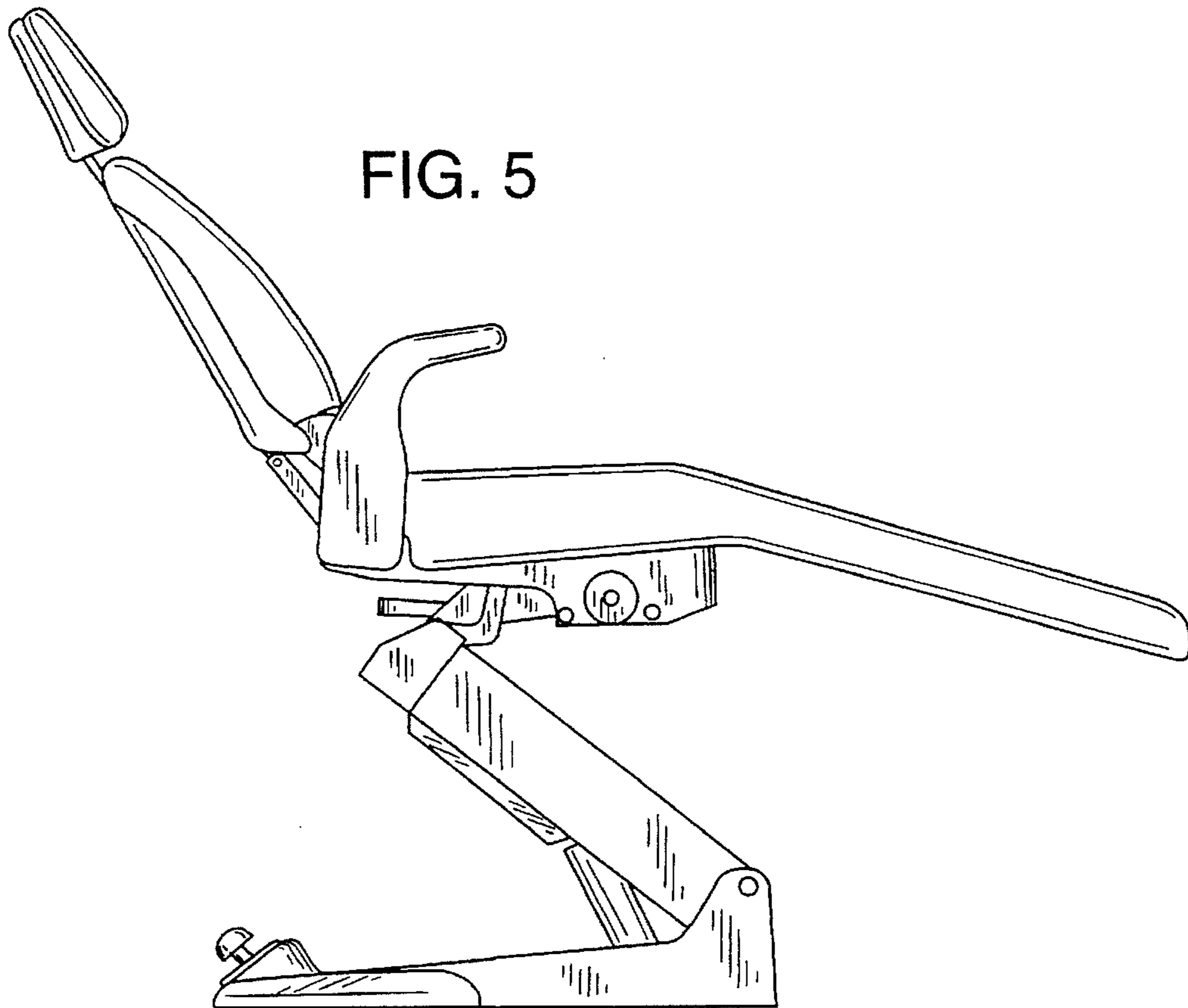
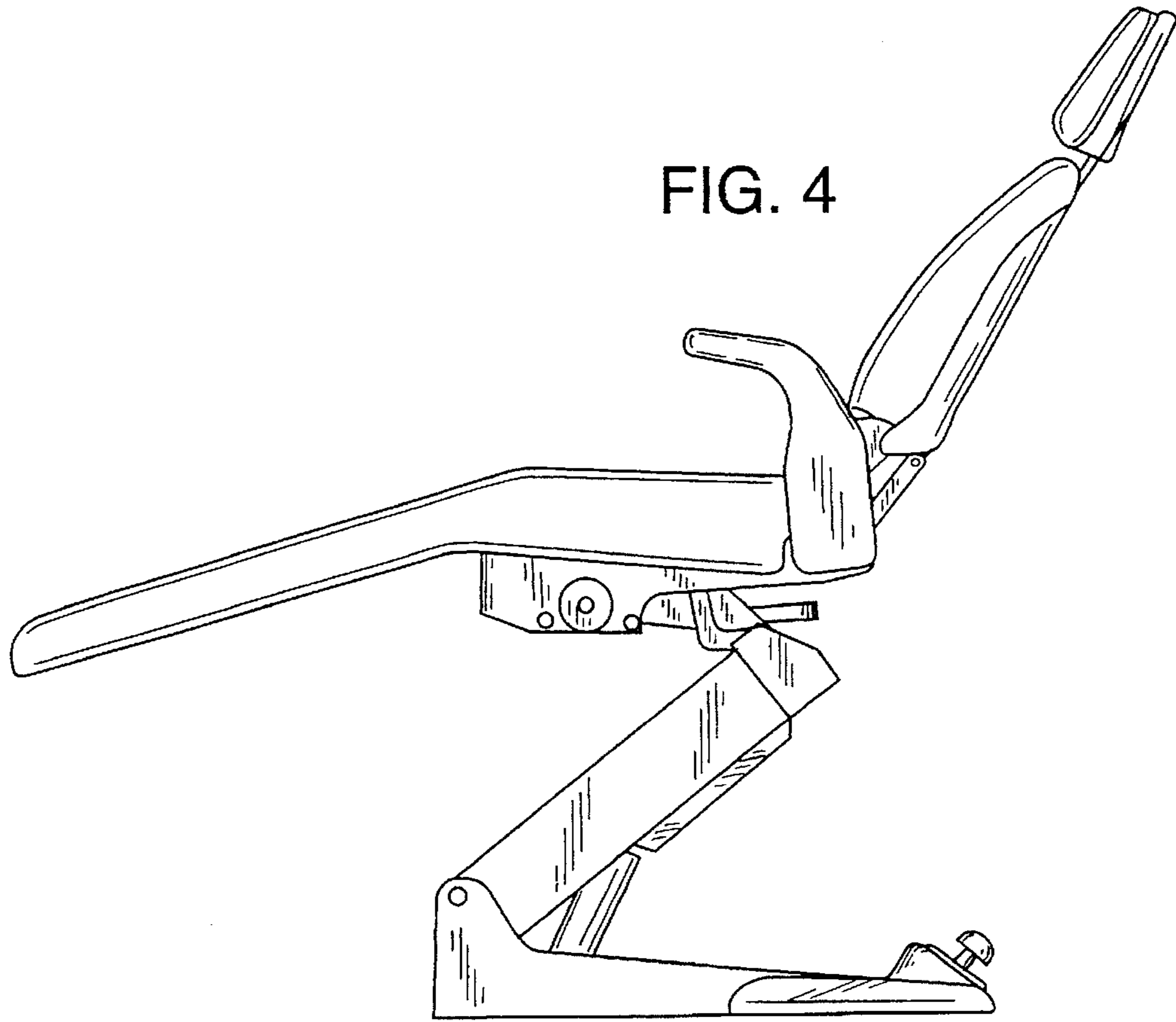


FIG. 6

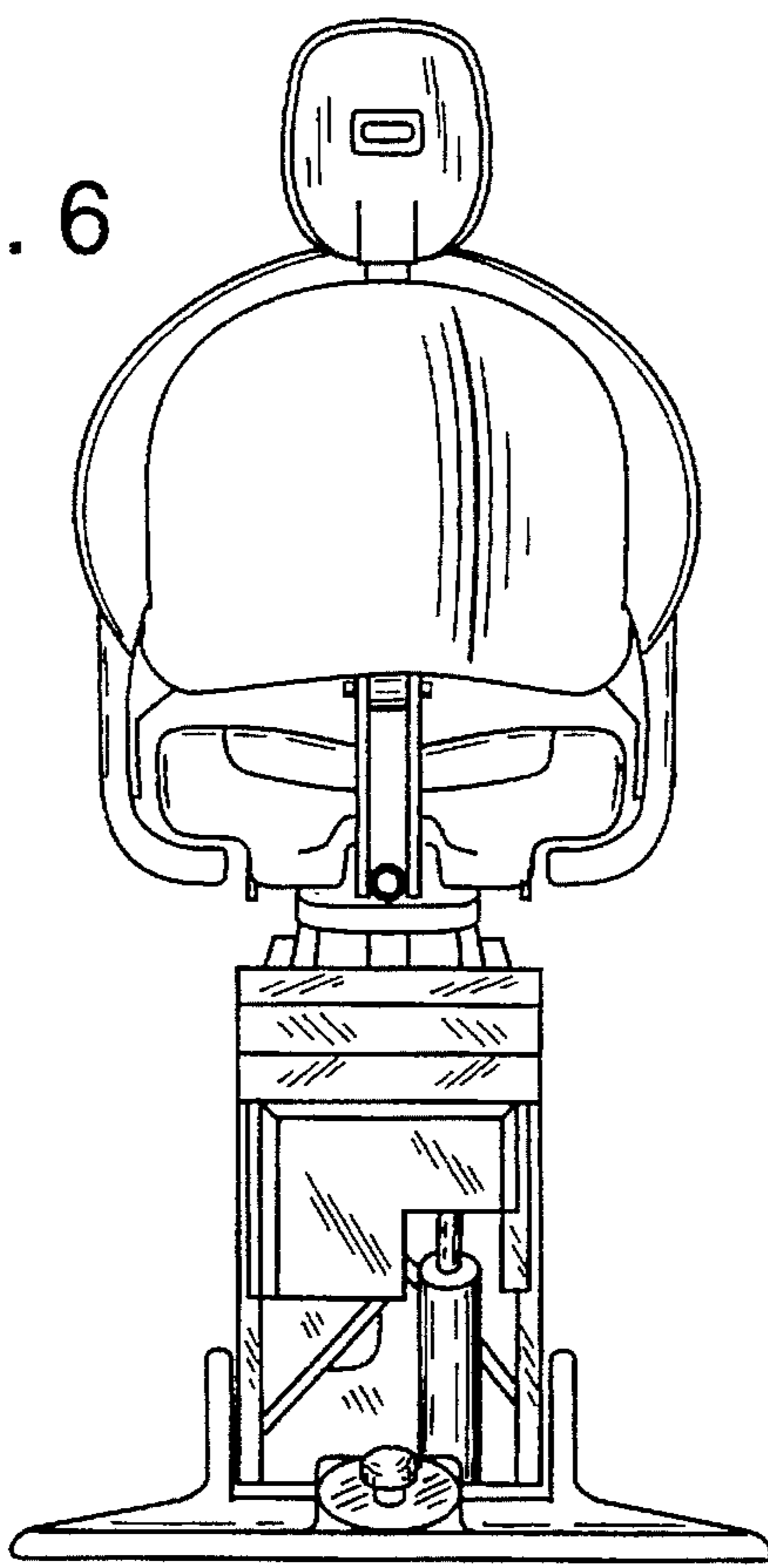


FIG. 7

