

US00D378950S

# United States Patent [19]

McKee

[11] Patent Number: Des. 378,950

[45] Date of Patent: \*\*Apr. 29, 1997

## [54] LIQUID STORAGE TANK WITH TOOL COMPARTMENT

[76] Inventor: **Scott B. McKee**, 2854 Shirley St., Eugene, Oreg. 97404

[\*\*] Term: **14 Years**

[21] Appl. No.: **49,858**

[22] Filed: **Feb. 1, 1996**

[52] U.S. Cl. .... **D3/201; D12/218**

[58] Field of Search ..... D3/202, 905, 274, D3/276, 283, 291; 224/148.1, 148.4, 904; D9/337, 341-347; 220/503, 735, 739, 740, 903, 4.12, 23.2, 23.8, 505, 555; 222/192; D6/436, 468; 206/349, 216; D12/400, 411, 423, 424, 218

### [56] References Cited

#### U.S. PATENT DOCUMENTS

D. 205,448	8/1966	Grove	.....	D12/218	X
D. 217,907	6/1970	Derenski	.....	D12/218	
D. 301,925	6/1989	DeCoster	.....	D9/347	X
D. 309,096	7/1990	Dodge	.....	D12/218	X
D. 356,904	4/1995	Wolff	.....	D3/203	X
2,602,309	7/1952	Doyle	.....	220/23.2	X

2,909,797	10/1959	White	.....	220/23.8	X
4,168,117	9/1979	Work	.....	220/23.8	X
4,261,467	4/1981	Shariff et al.	.....	220/23.8	X
4,867,331	9/1989	Task	.....	220/23.8	
5,169,012	12/1992	Labrie	.....	220/23.8	

Primary Examiner—Prabhakar G. Deshmukh  
Attorney, Agent, or Firm—Harold H. Dutton, Jr.; W. Charles L. Jamison; Diane F. Liebman

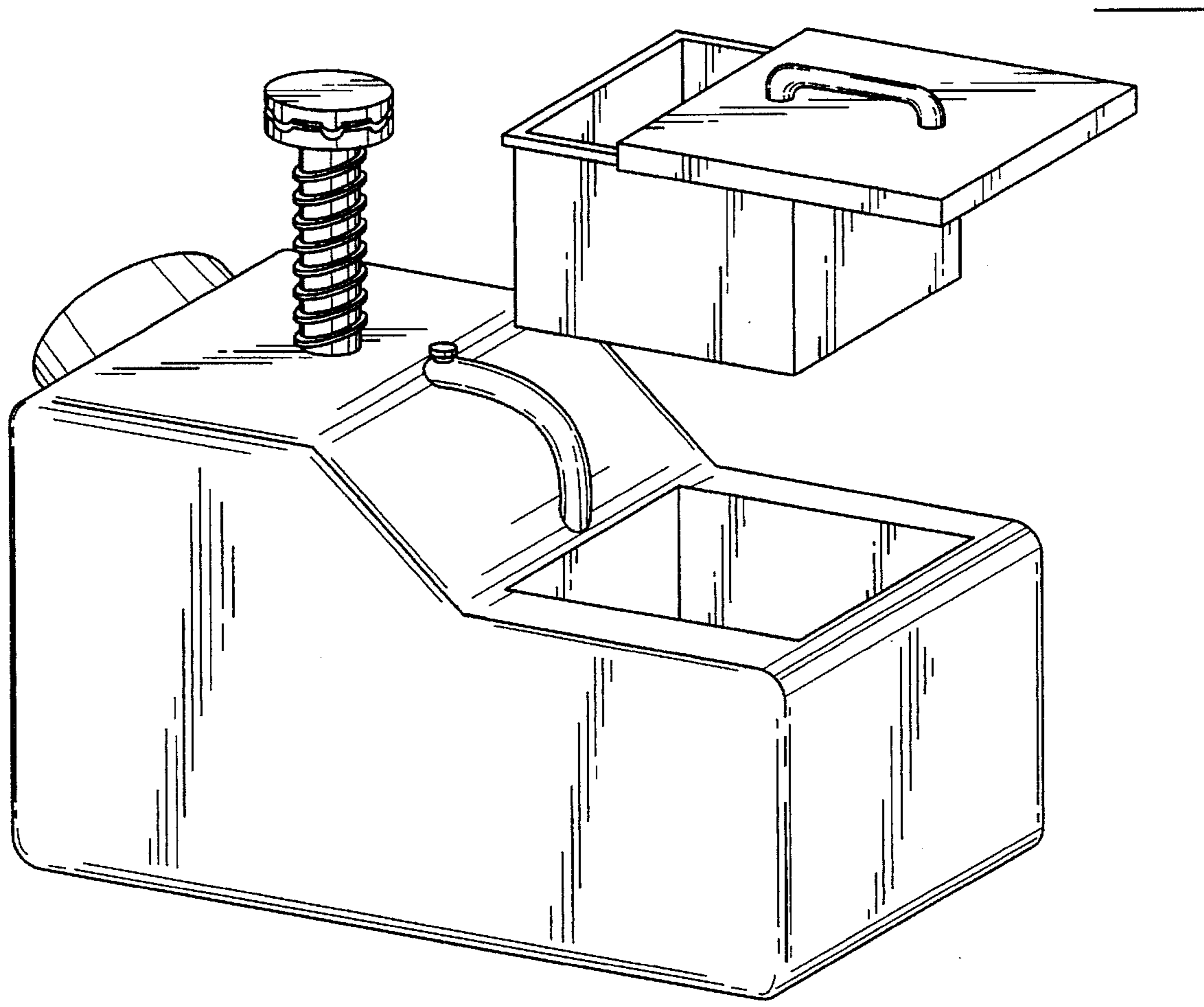
### [57] CLAIM

The ornamental design for liquid storage tank with tool compartment, as shown and described.

### DESCRIPTION

FIG. 1 is an exploded perspective view of a liquid storage tank with tool compartment showing my new design with the mounting shank shown in an extended position; FIG. 2 is a left side elevational view thereof with the mounting shank recessed; the right side elevational view being a mirror image thereof; FIG. 3 is a rear elevational view thereof; FIG. 4 is a front elevational view thereof; FIG. 5 is a top plan view thereof; and, FIG. 6 is a bottom plan view thereof. FIGS. 2-6 are shown in reduced scale.

1 Claim, 3 Drawing Sheets



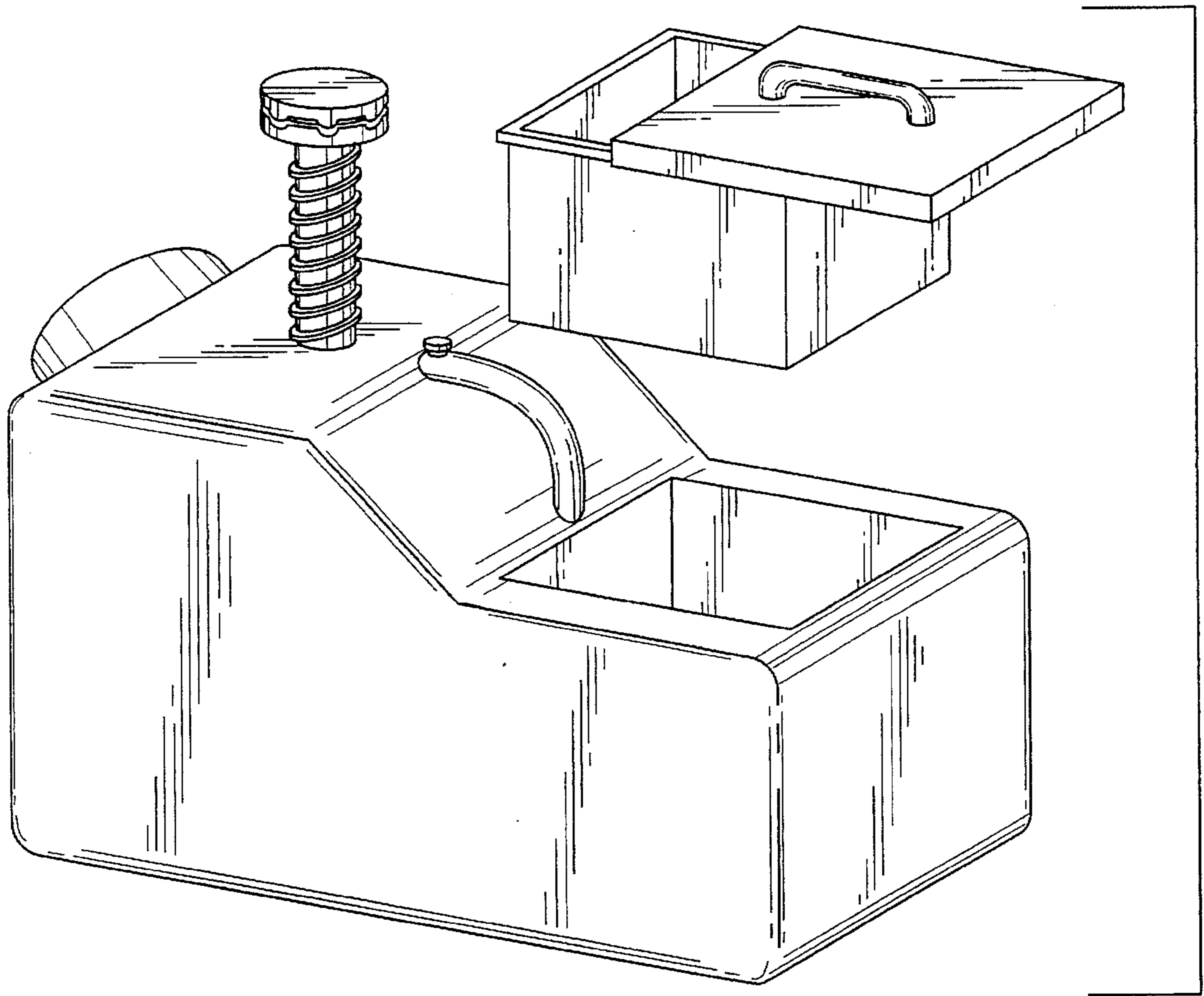


FIG. 1

FIG. 2

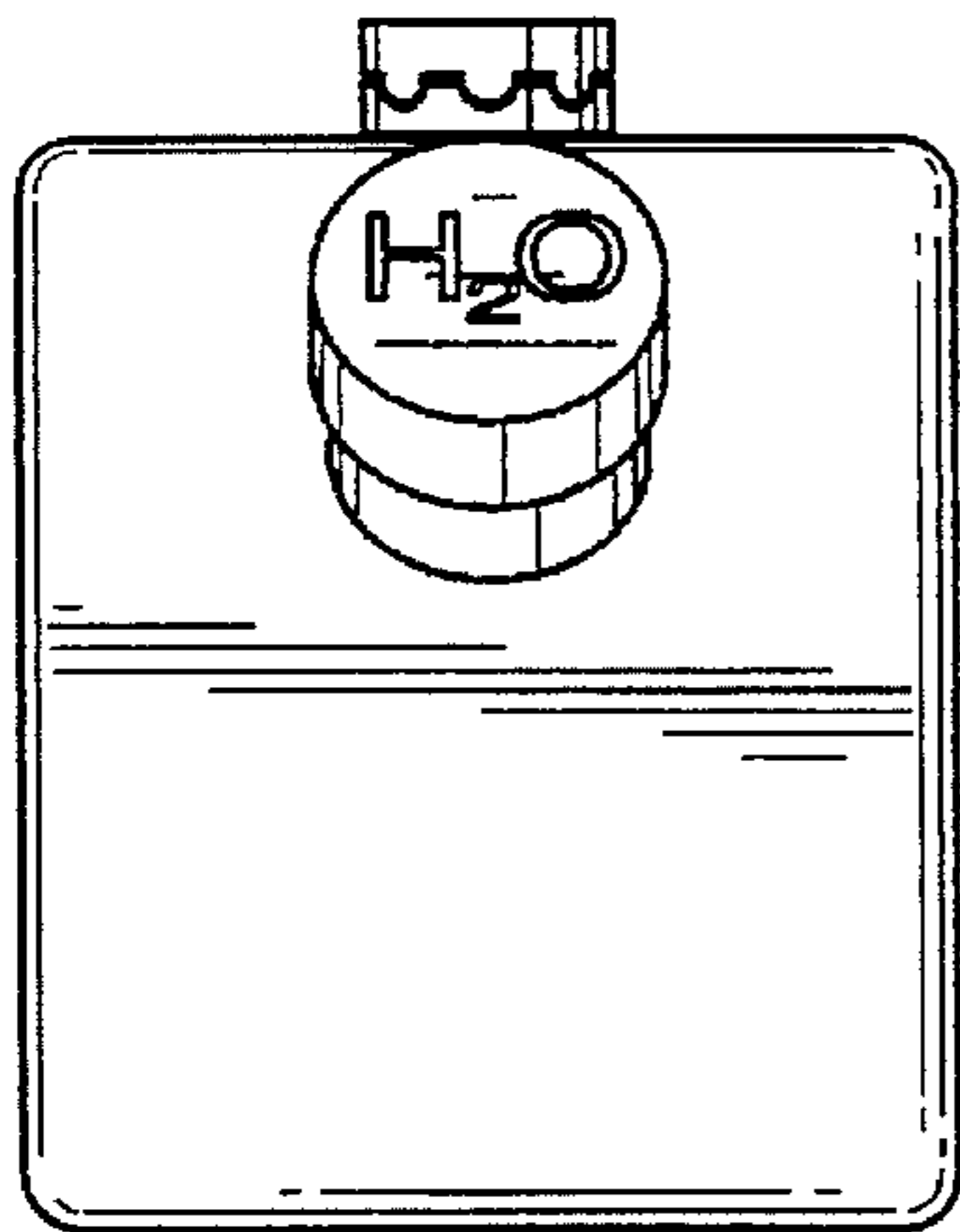
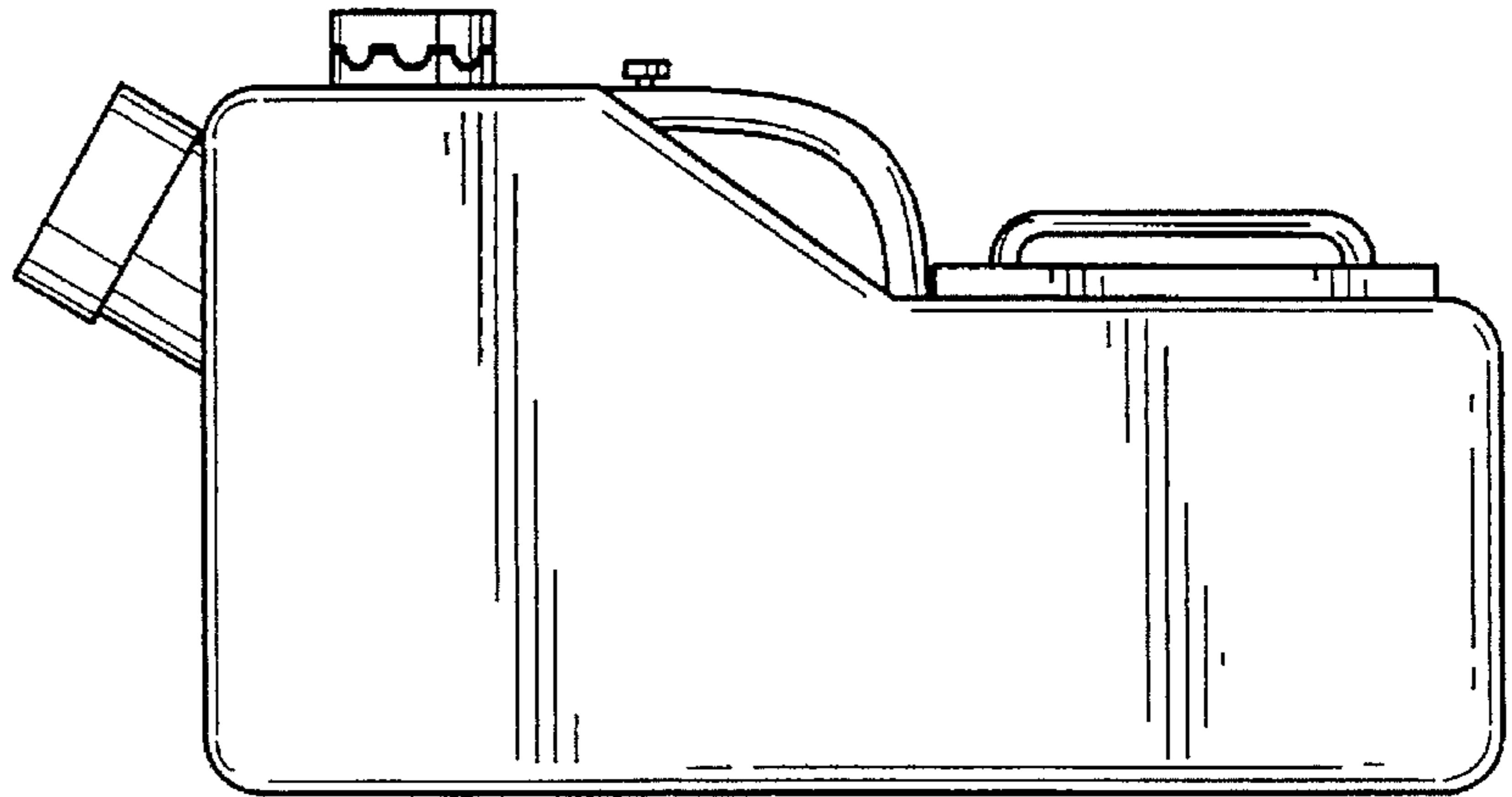
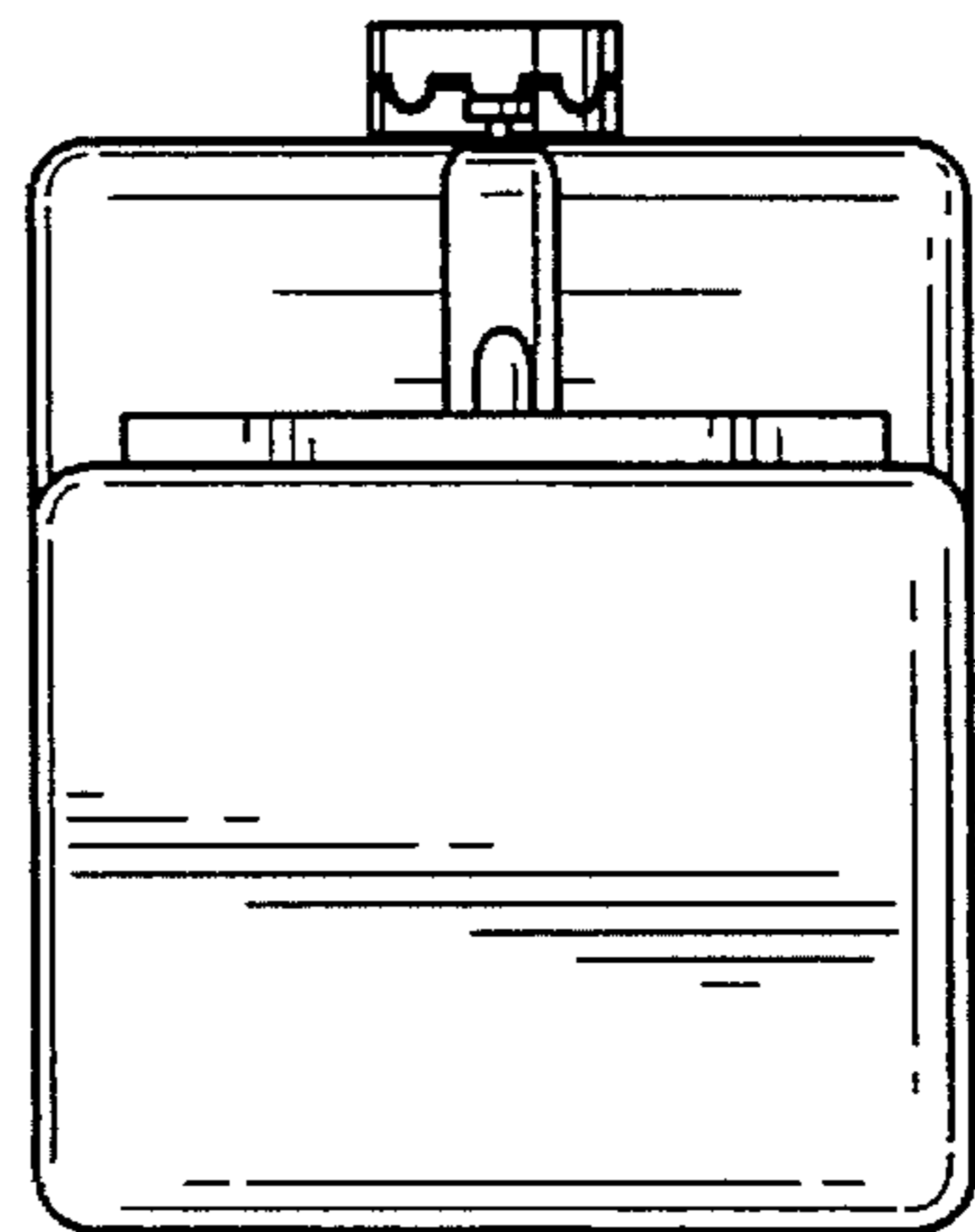


FIG. 3

FIG. 4



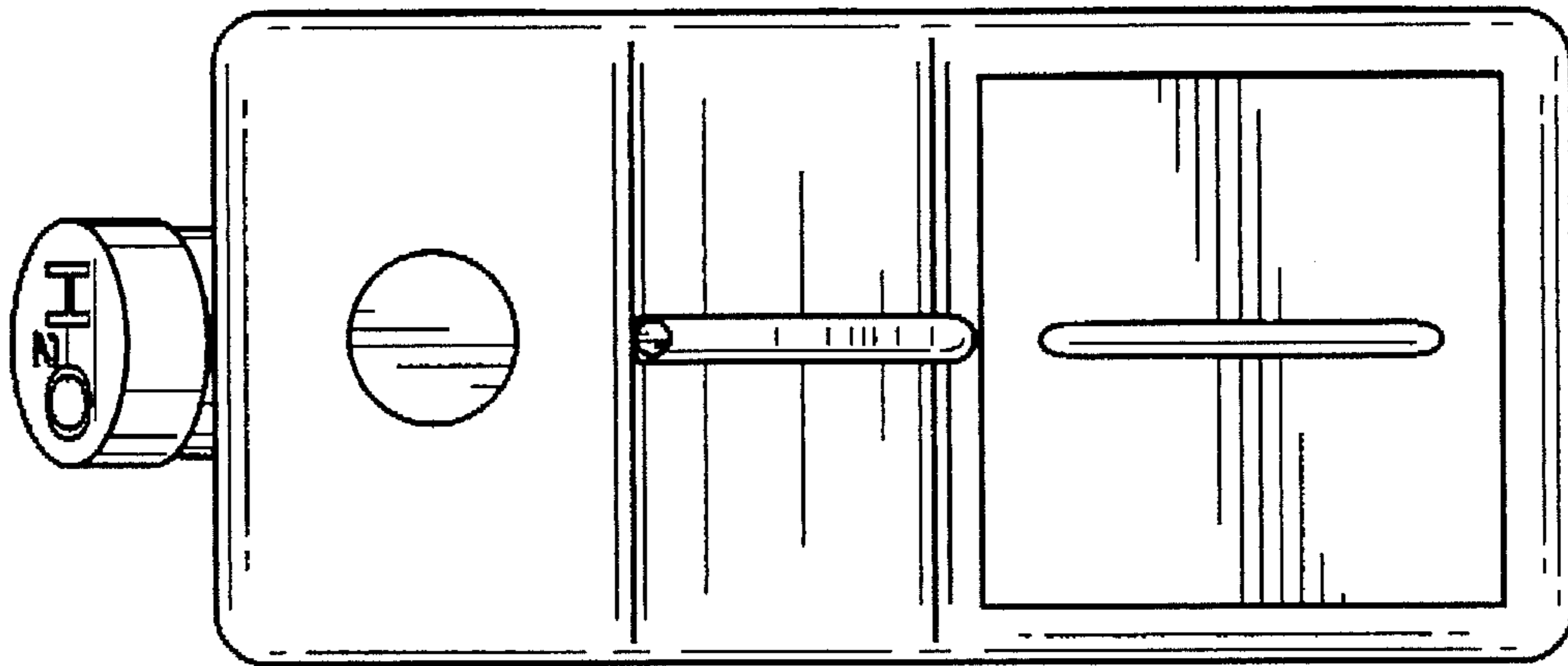


FIG. 5

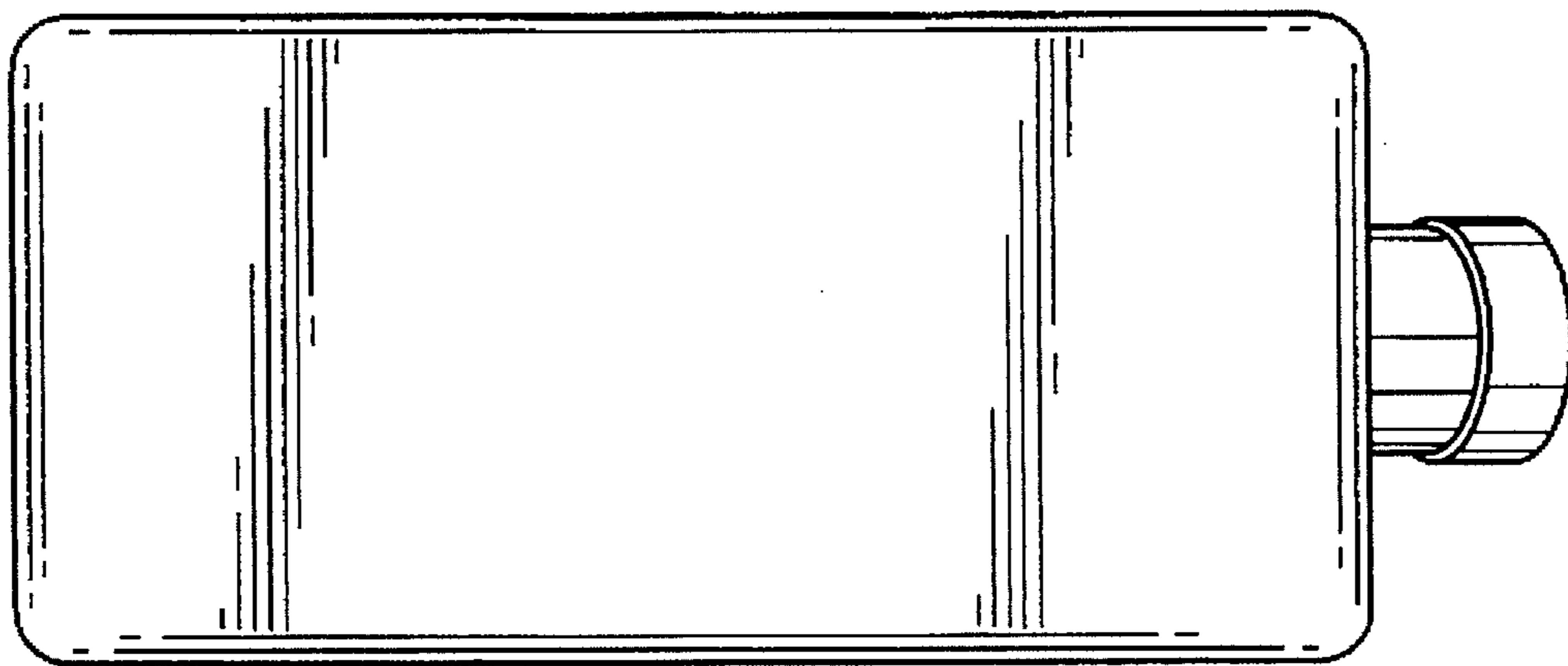


FIG. 6