



US00D378944S

United States Patent [19]
Yan

[11] **Patent Number: Des. 378,944**

[45] **Date of Patent: **Apr. 22, 1997**

[54] **GLASS SHADE**

[76] **Inventor: San-Jhy Yan, 3F., No. 23, Yuan-Huang West Rd., Fong Yuan, Taichung Hsien, Taiwan**

[**] **Term: 14 Years**

[21] **Appl. No.: 49,369**

[22] **Filed: Jan. 24, 1996**

[52] **U.S. Cl. D26/137; D11/39**

[58] **Field of Search D26/128-136, D26/137, 142, 147, 149, 152, 153; 362/326, 327, 329, 331, 333, 334, 337, 338, 339, 340, 351, 355; D23/411, 377, 385, 379**

[56] **References Cited**

U.S. PATENT DOCUMENTS

D. 49,191 6/1916 Mohrmann D26/149

D. 65,724 10/1924 Berkowitz D26/152
D. 102,167 12/1936 Kousin D11/39
D. 364,695 11/1995 Yan D26/131

Primary Examiner—Susan J. Lucas

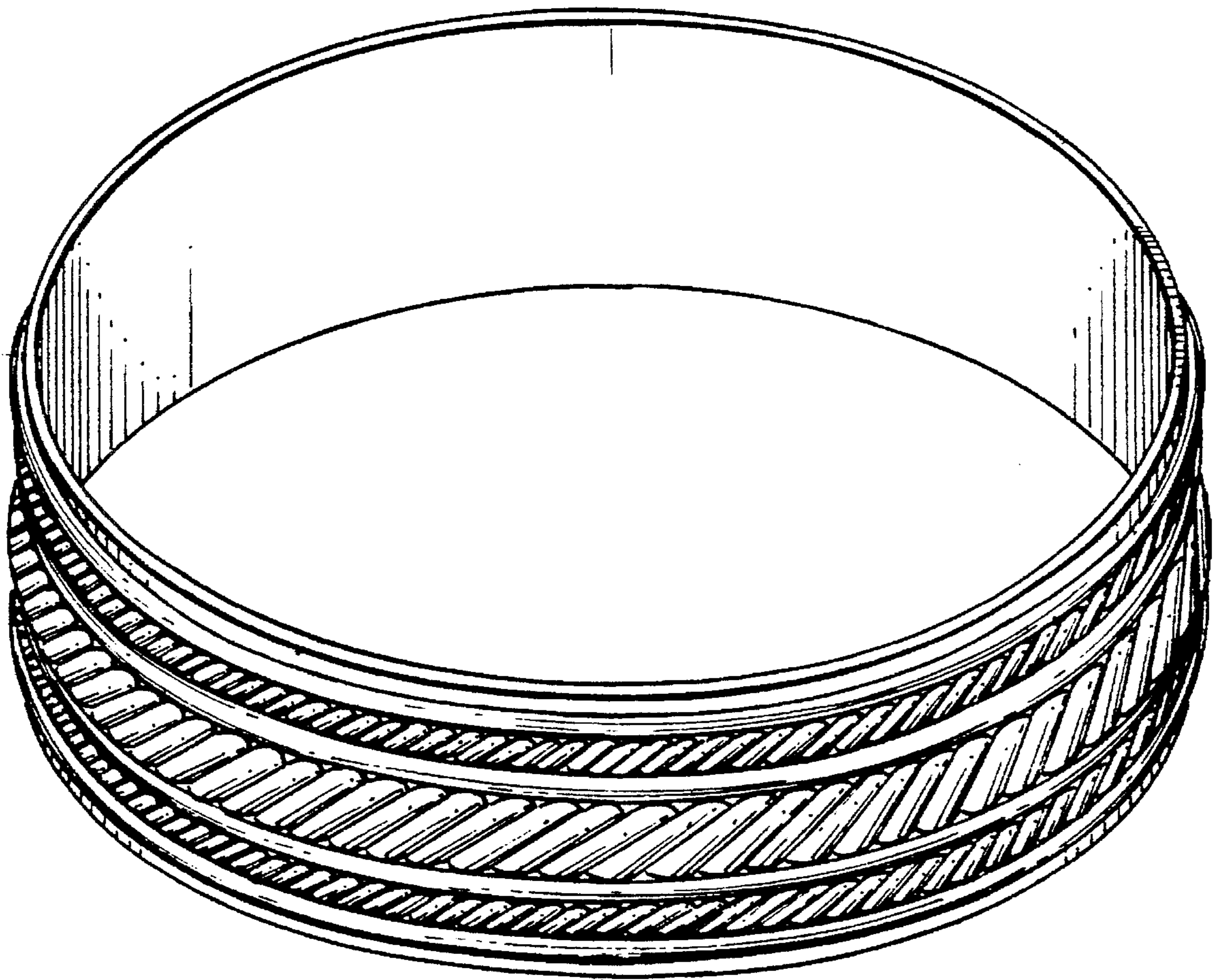
[57] **CLAIM**

The ornamental design for a glass shade, as shown and described.

DESCRIPTION

FIG. 1 is a perspective view of a glass shade showing my new design;
FIG. 2 is a front elevational view thereof;
FIG. 3 is a rear elevational view thereof;
FIG. 4 is a top plan view thereof;
FIG. 5 is a bottom plan view thereof;
FIG. 6 is a left side elevational view thereof; and,
FIG. 7 is a right side elevational view thereof.

1 Claim, 7 Drawing Sheets



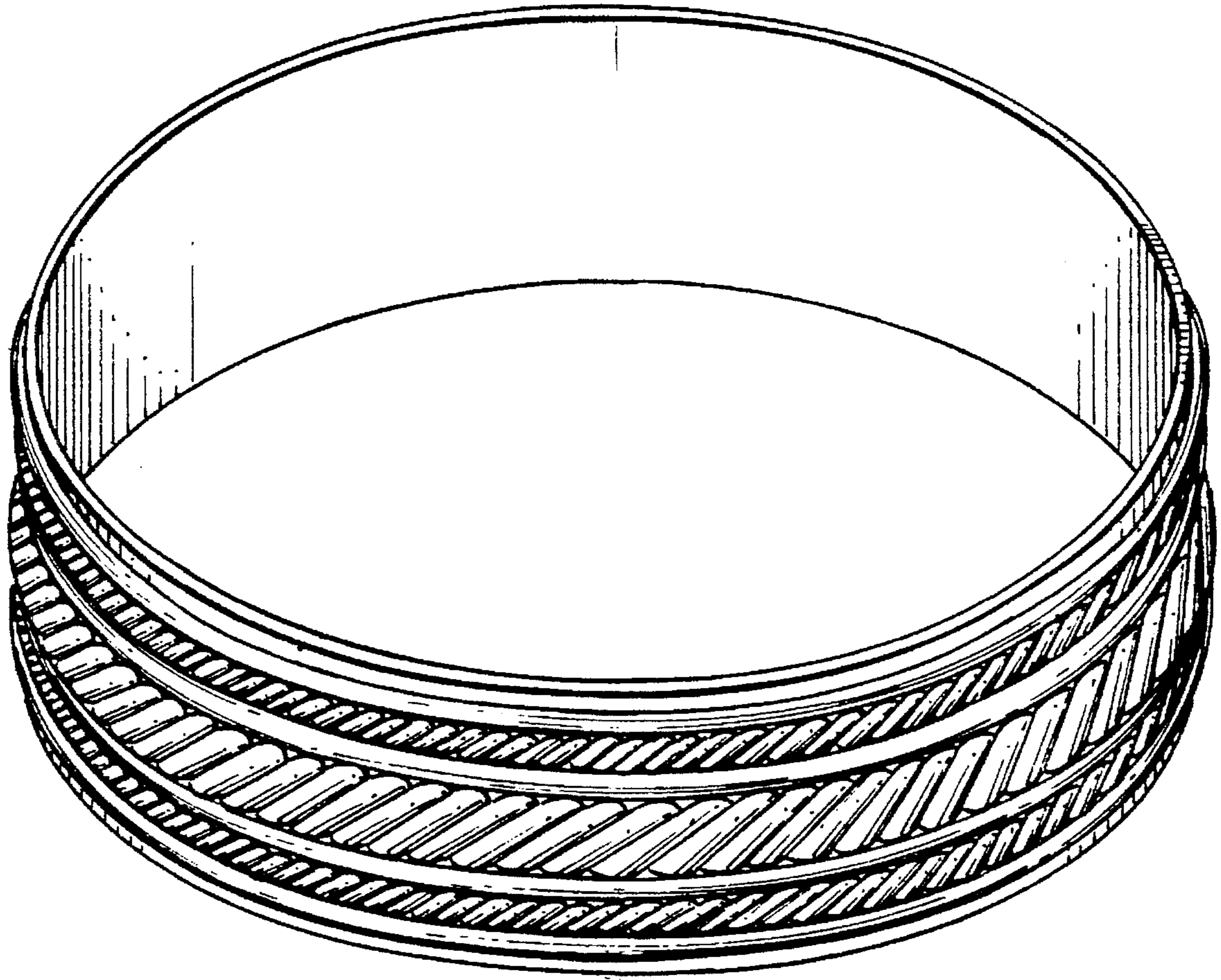


FIG. 1

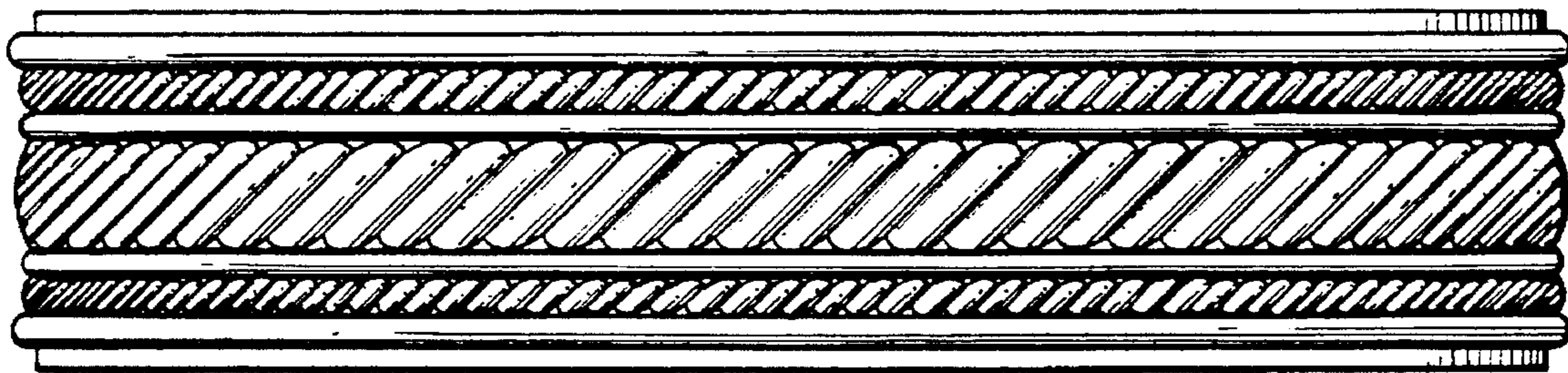


FIG. 2

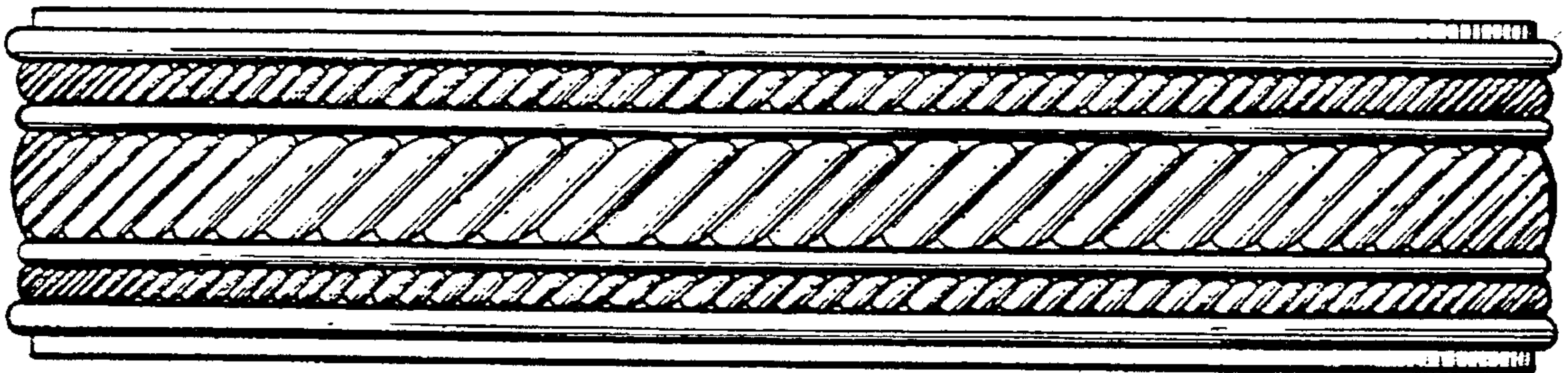


FIG. 3

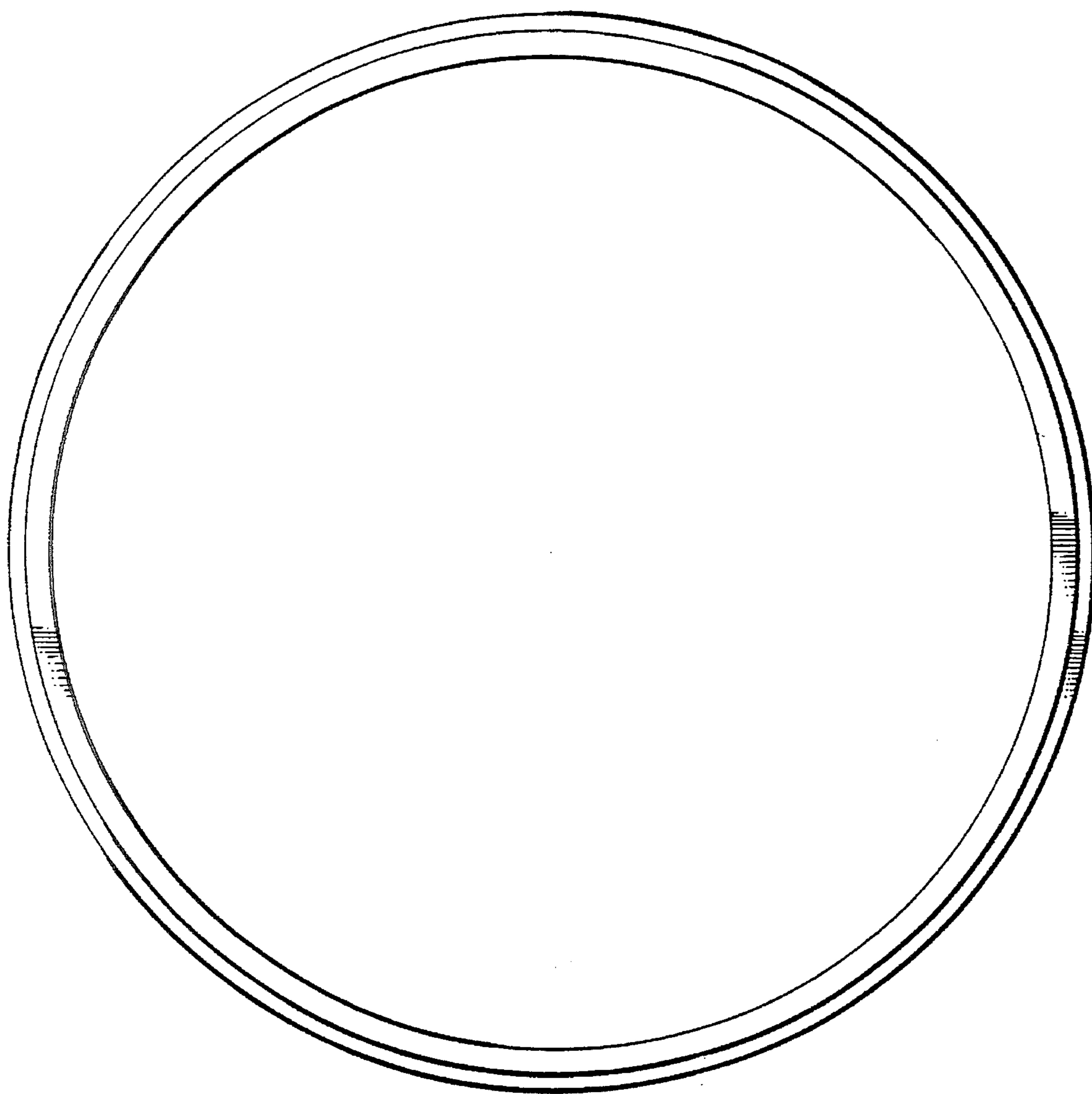


FIG. 4

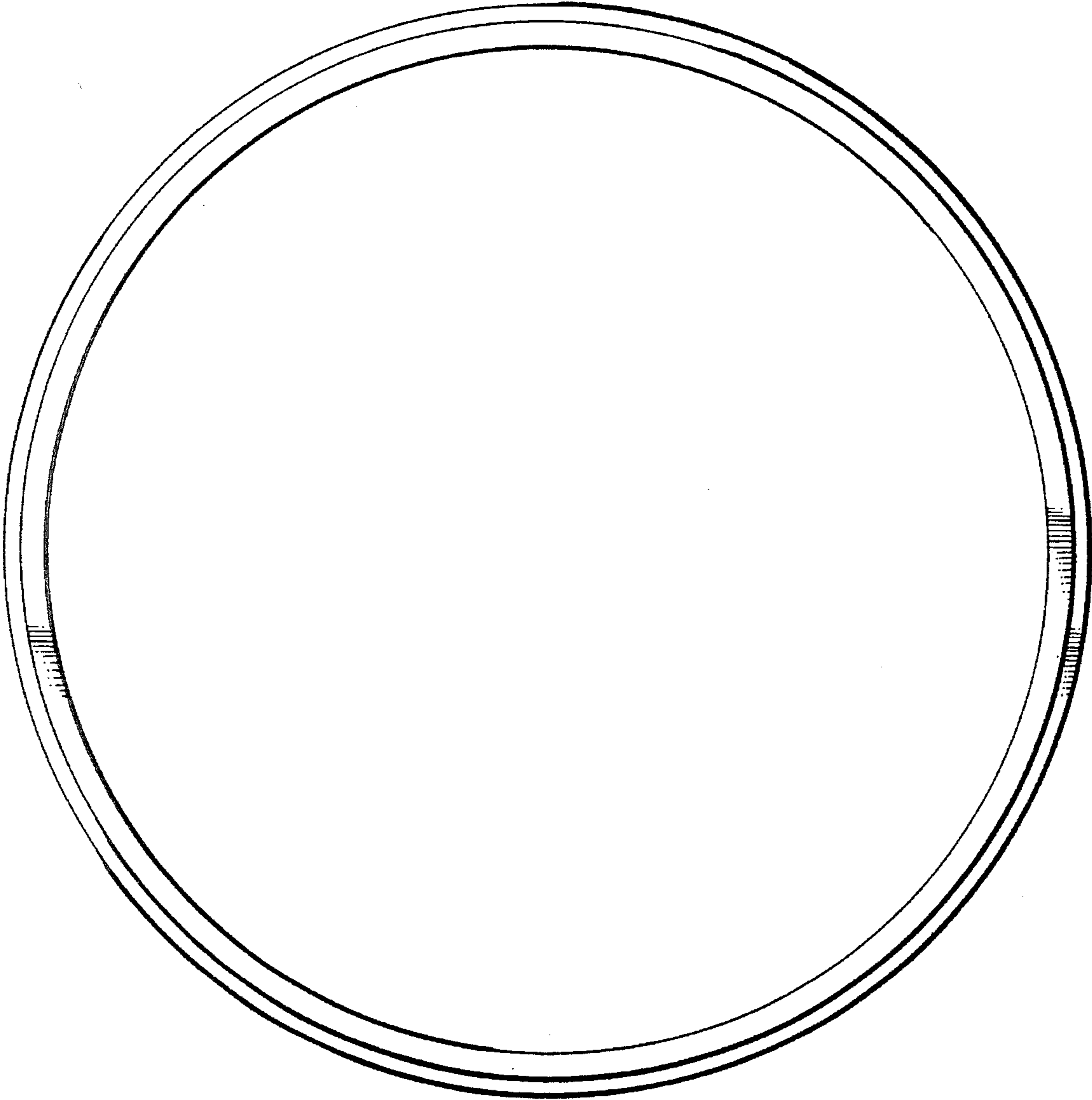


FIG. 5

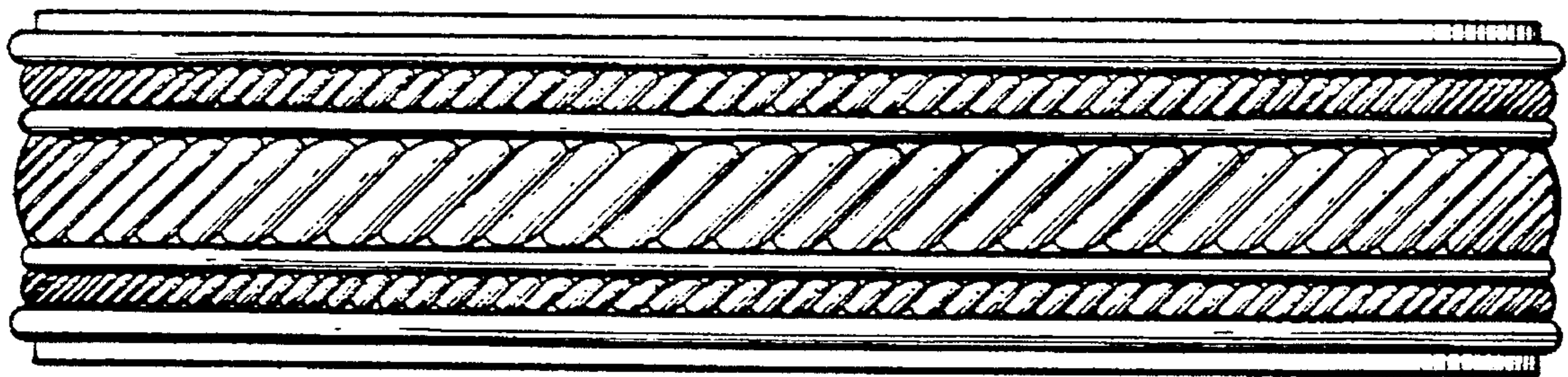


FIG. 6

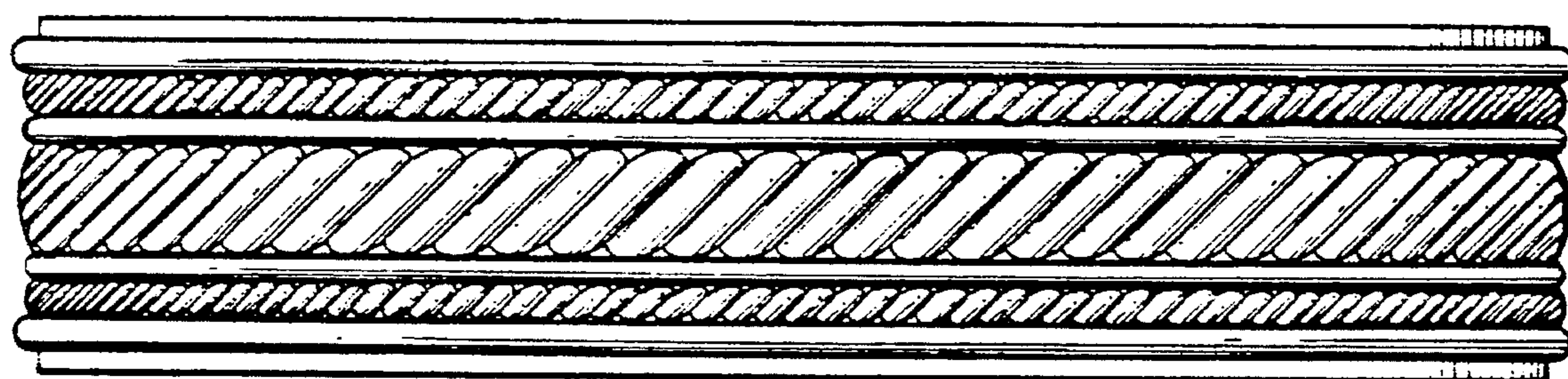


FIG. 7