



US00D378942S

# United States Patent [19]

Ueda

[11] Patent Number: **Des. 378,942**

[45] Date of Patent: **\*\*Apr. 22, 1997**

[54] **HEADLAMP**

[75] Inventor: **Takashi Ueda**, Izumi, Japan

[73] Assignee: **Cateye Co., Ltd.**, Osaka, Japan

[\*\*] Term: **14 Years**

[21] Appl. No.: **35,729**

[22] Filed: **Mar. 6, 1995**

[30] **Foreign Application Priority Data**

Feb. 3, 1995 [JP] Japan ..... 7-2696

[52] U.S. Cl. .... **D26/28**

[58] Field of Search ..... D26/28-35, 37,  
D26/38, 40; 362/72, 157, 158, 183, 189,  
191, 192, 193, 194, 196, 200-206, 208

[56] **References Cited**

**U.S. PATENT DOCUMENTS**

D. 324,577 3/1992 Tsuyama ..... D26/28

D. 346,670 5/1994 Ueda ..... D26/28  
D. 353,682 12/1994 Ueda ..... D26/28  
D. 357,989 5/1995 Nagano ..... D26/28

*Primary Examiner*—Marcus A. Jackson  
*Attorney, Agent, or Firm*—Banner & Witcoff, Ltd.

[57] **CLAIM**

The ornamental design for a headlamp, as shown.

**DESCRIPTION**

FIG. 1 is a front view of a headlamp showing my new design;  
FIG. 2 is a rear view thereof;  
FIG. 3 is a top plan view thereof;  
FIG. 4 is a bottom plan view thereof;  
FIG. 5 is a left side view thereof;  
FIG. 6 is a right side view thereof;  
FIG. 7 is a front perspective view thereof; and,  
FIG. 8 is a rear perspective view thereof.

**1 Claim, 2 Drawing Sheets**

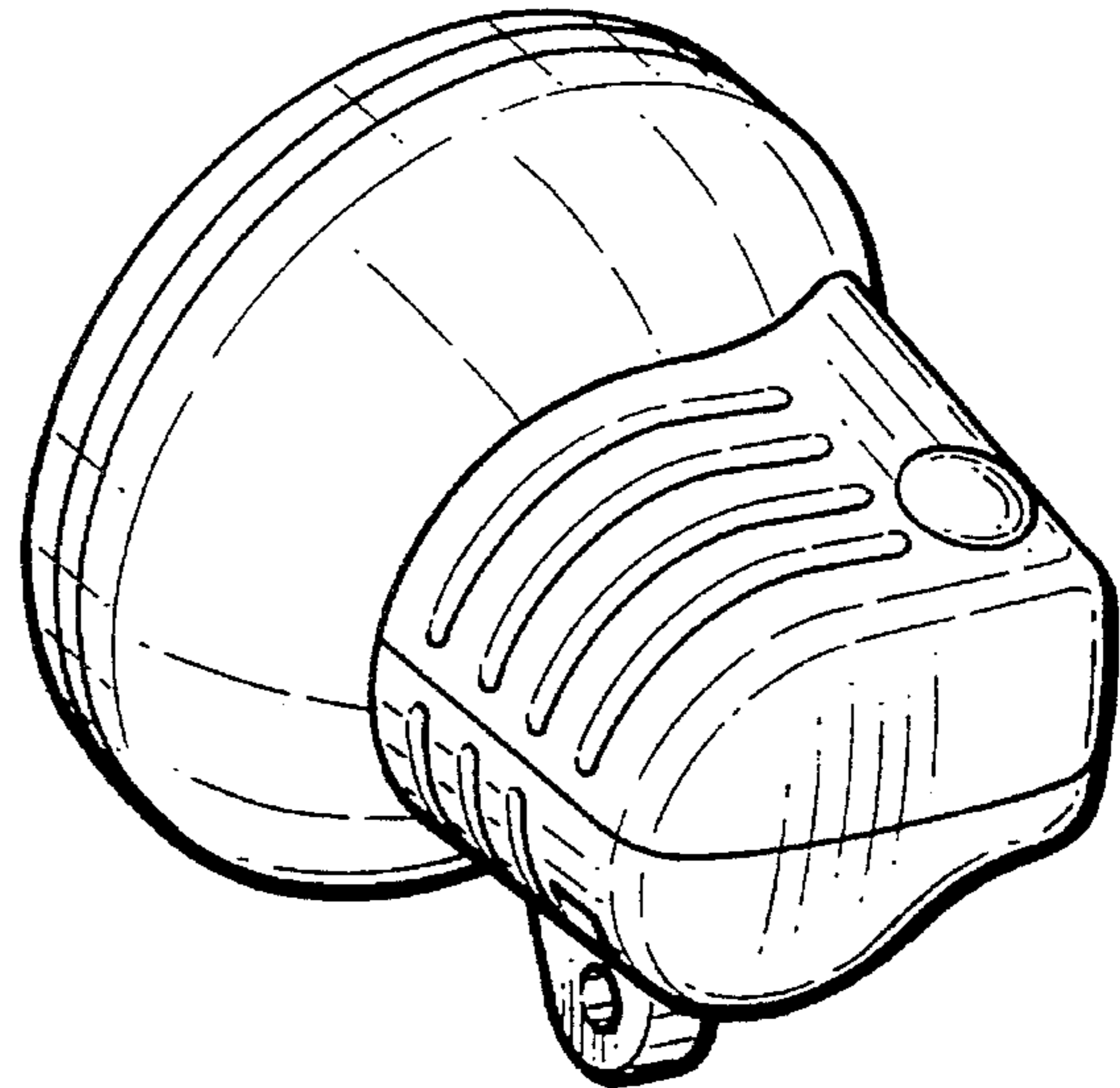
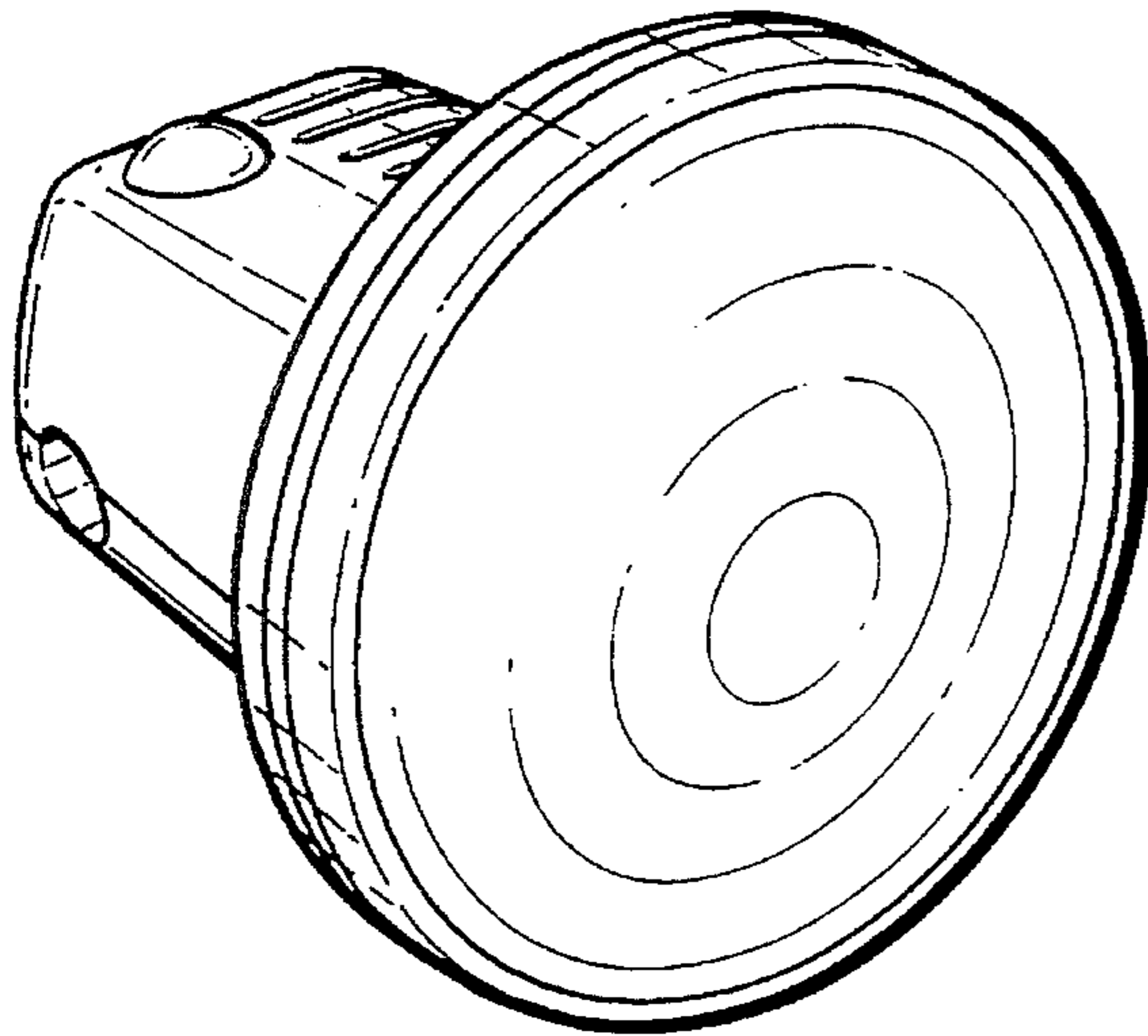


FIG. 1

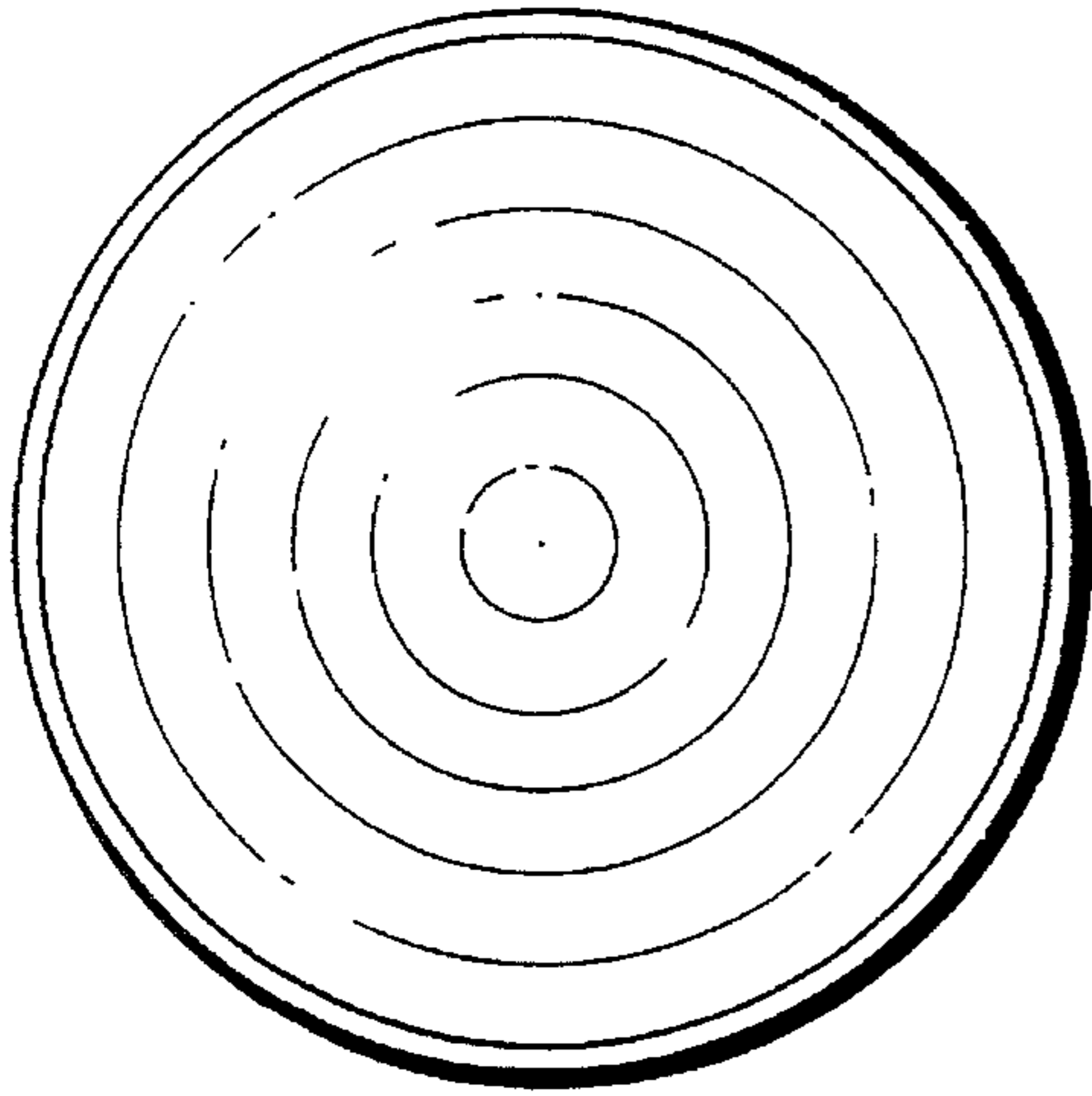


FIG. 2

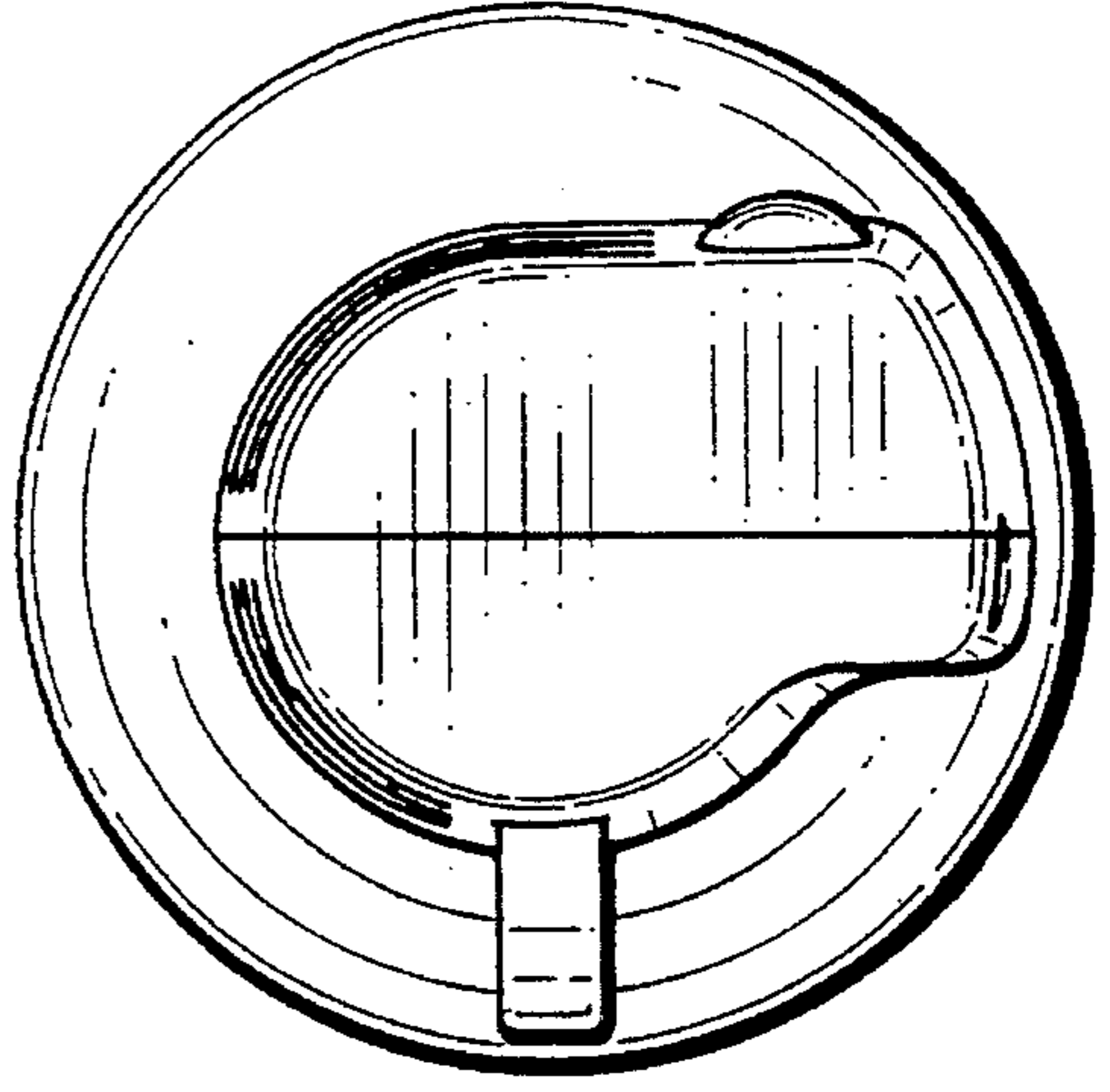


FIG. 3

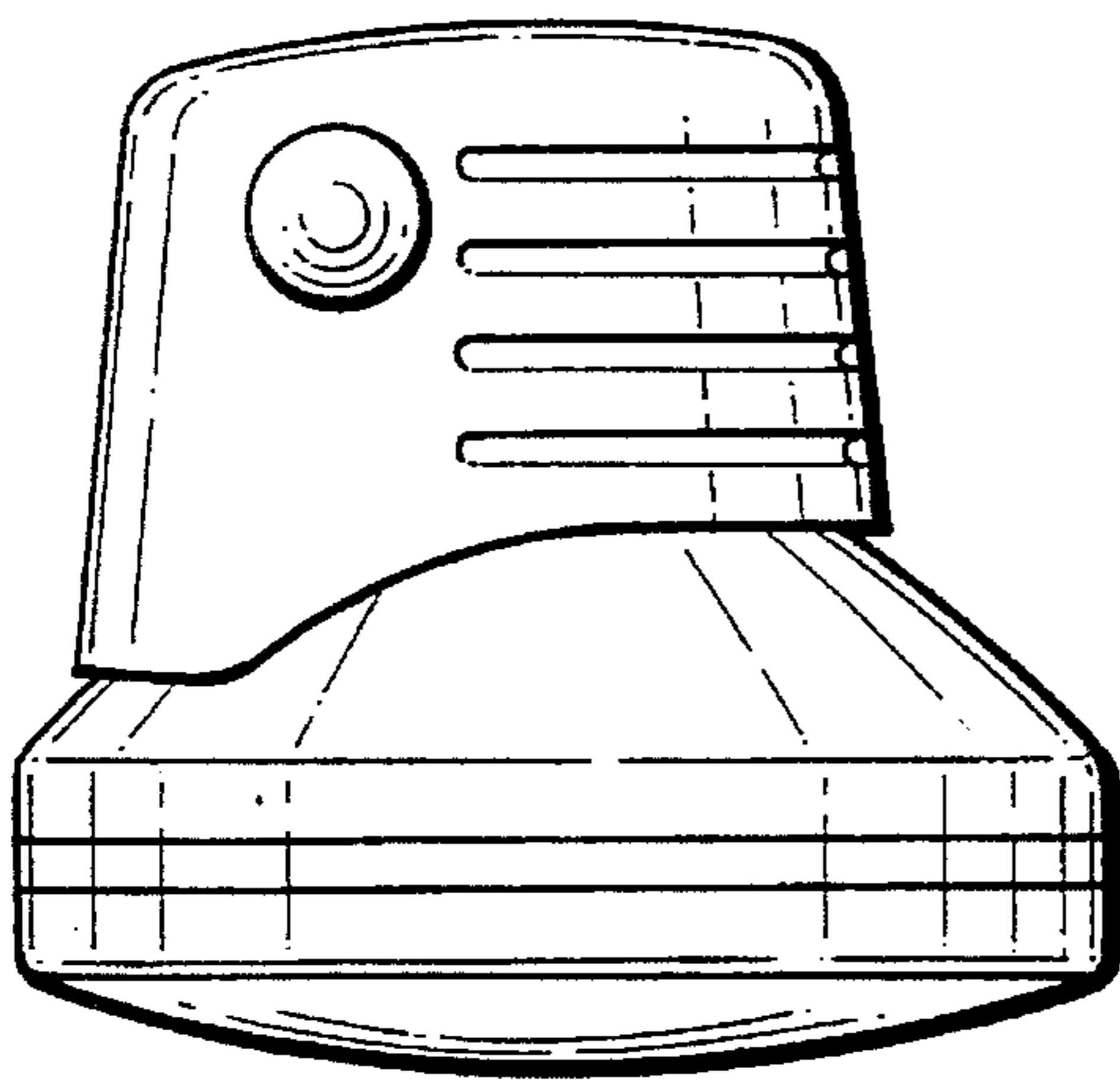


FIG. 4

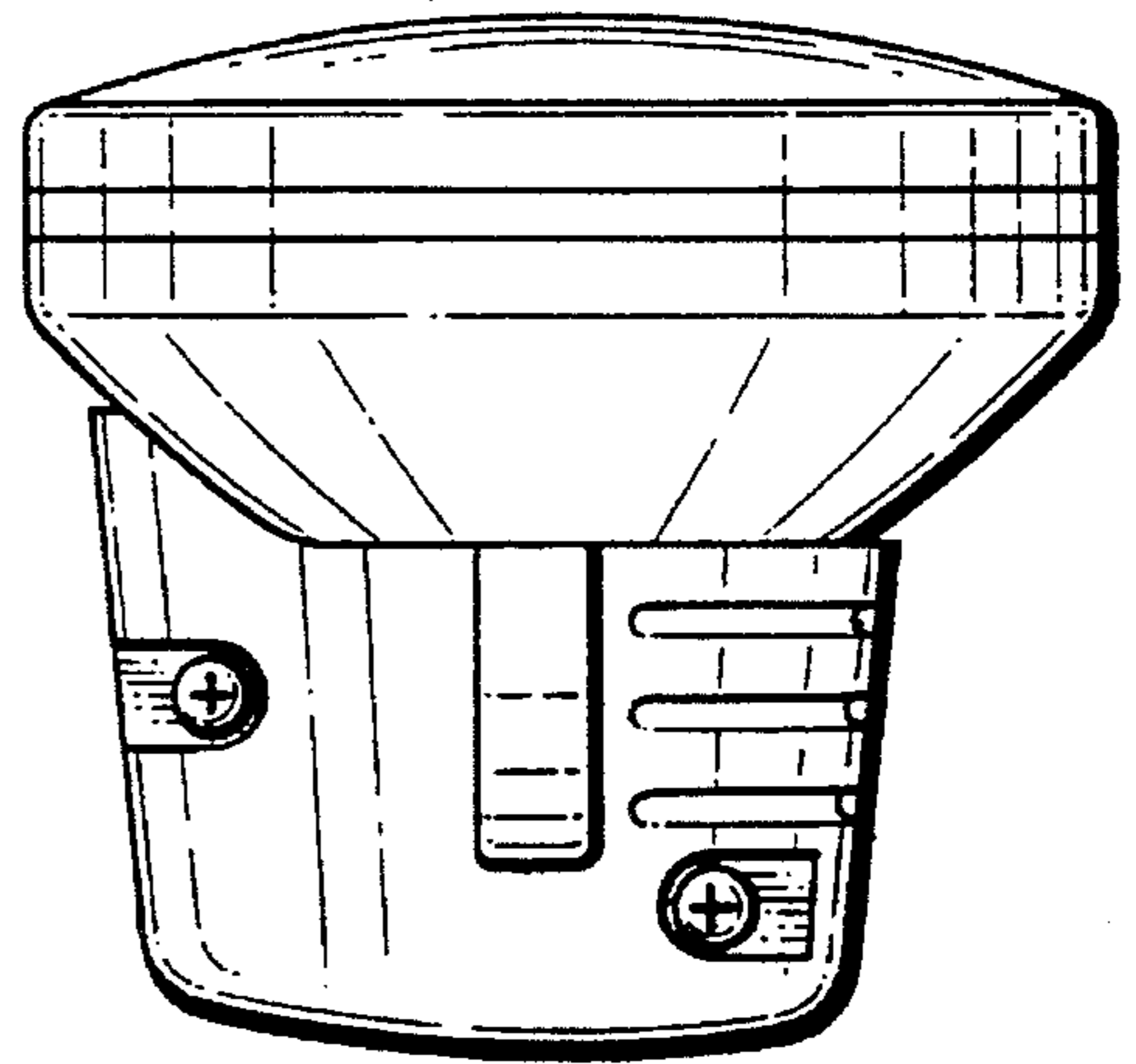


FIG. 5

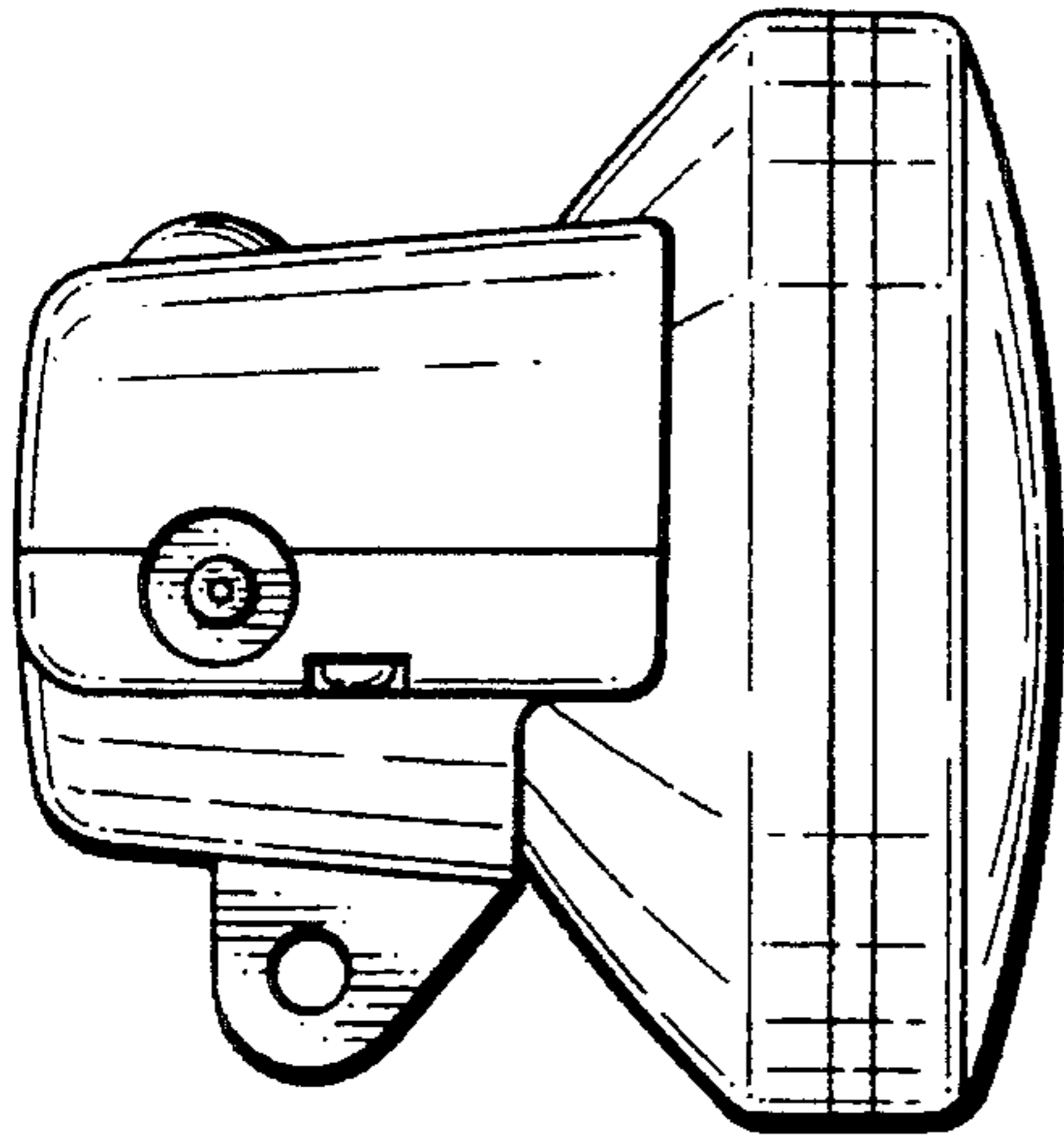


FIG. 6

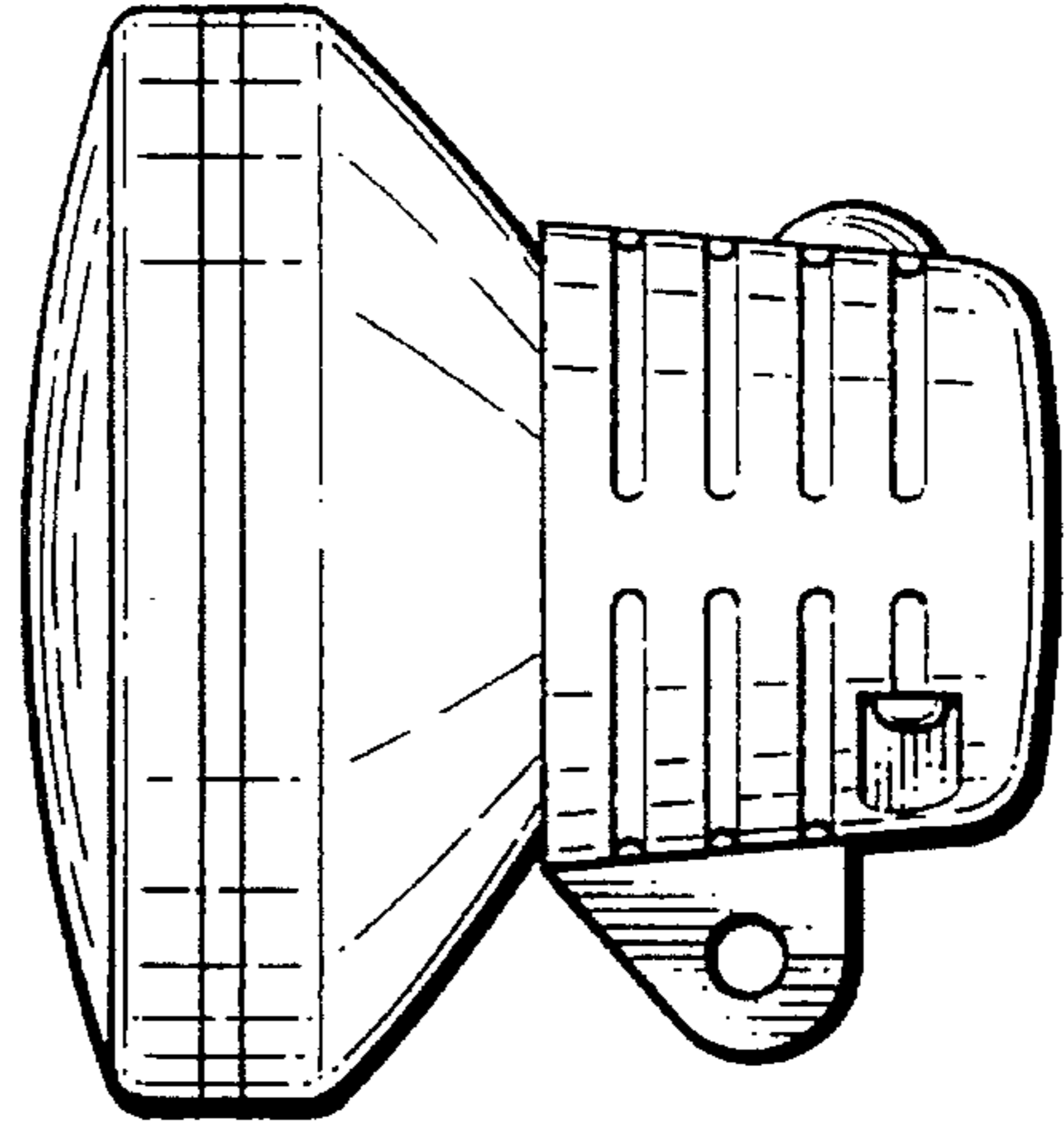


FIG. 7

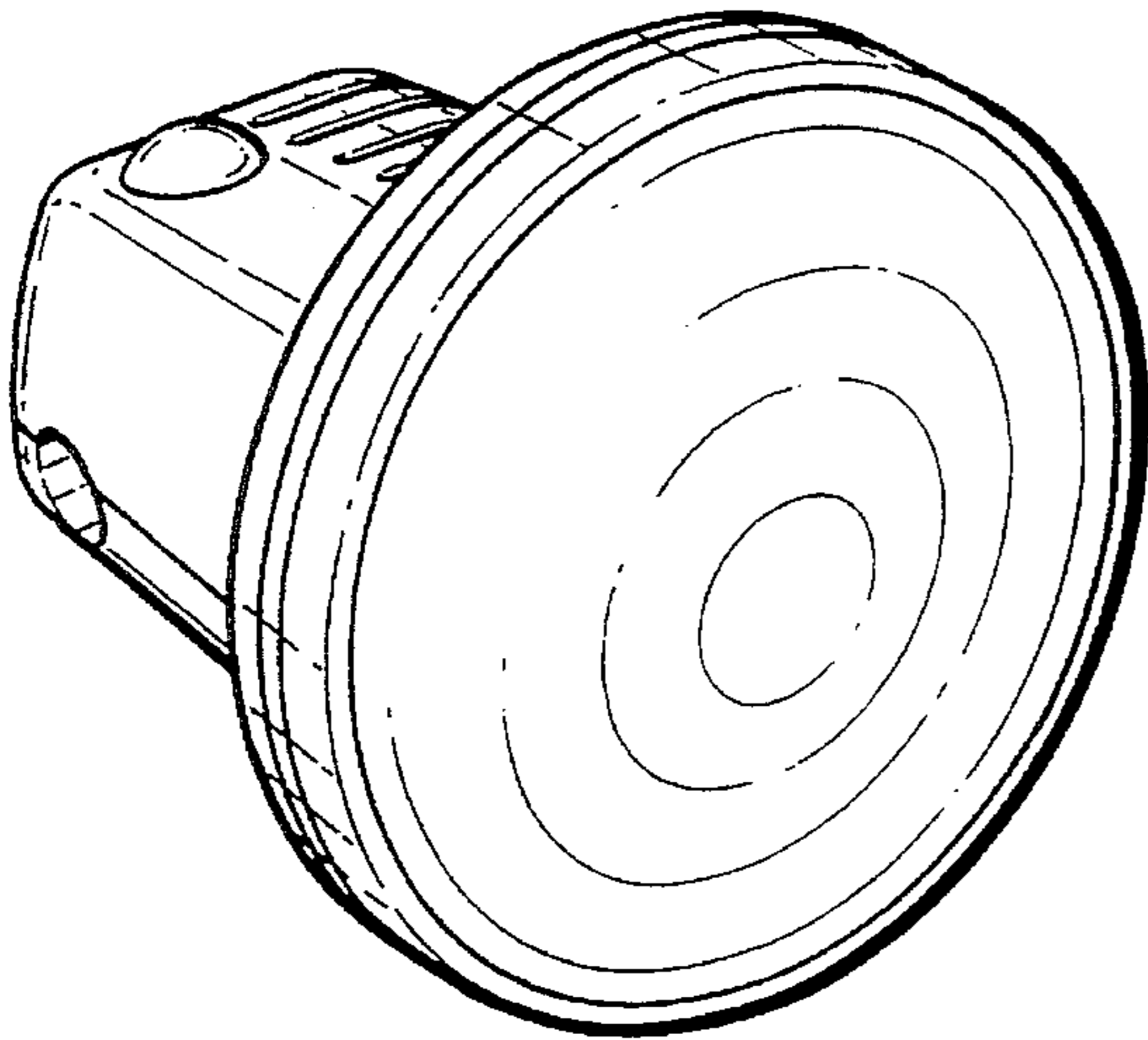


FIG. 8

