



US00D378941S

United States Patent [19]

[11] Patent Number: **Des. 378,941**

Lahm et al.

[45] Date of Patent: ****Apr. 22, 1997**

[54] **CULTURE DISH**

[75] Inventors: **William J. Lahm**, Sumter, S.C.;
Timothy A. Stevens, Warwick, N.Y.;
Alexander G. Tschumakow,
Sommerville; **Leon M. Wilkins**, North
Andover, both of Mass.; **John M.**
Janson, Piscataway, N.J.; **Stephen C.**
Conley, North Attleboro, Mass.

4,871,674	10/1989	Matsui et al.	435/284
5,026,649	6/1991	Lyman et al.	435/284
5,130,105	7/1992	Carter et al.	D24/224 X
5,139,951	8/1992	Butz et al.	435/284
5,215,920	6/1993	Lyman et al.	435/284
5,272,083	12/1993	Butz et al.	435/240.241
5,358,871	10/1994	Stevens et al.	435/284
5,366,893	11/1994	Stevens et al.	435/284
5,468,638	11/1995	Barker et al.	435/304.1
5,514,343	5/1996	Verwohlt et al.	211/74 X

[73] Assignee: **Becton, Dickinson and Company**,
Franklin Lakes, N.J.

FOREIGN PATENT DOCUMENTS

0401660A1 12/1990 European Pat. Off. C12M 1/22

[**] Term: **14 Years**

Primary Examiner—Louis S. Zarfaz
Assistant Examiner—L. Simmons
Attorney, Agent, or Firm—Nanette S. Thomas

[21] Appl. No.: **44,624**

[22] Filed: **Sep. 27, 1995**

[52] U.S. Cl. **D24/224; D24/227**

[58] Field of Search D24/224, 227,
D24/229, 226; D9/341, 345, 346; 422/100,
102; 435/305.1, 305.4, 284, 286.2, 286.6;
206/561, 565, 584, 557; 220/507, 517,
518

[57] **CLAIM**

The ornamental design for a culture dish as shown and described.

DESCRIPTION

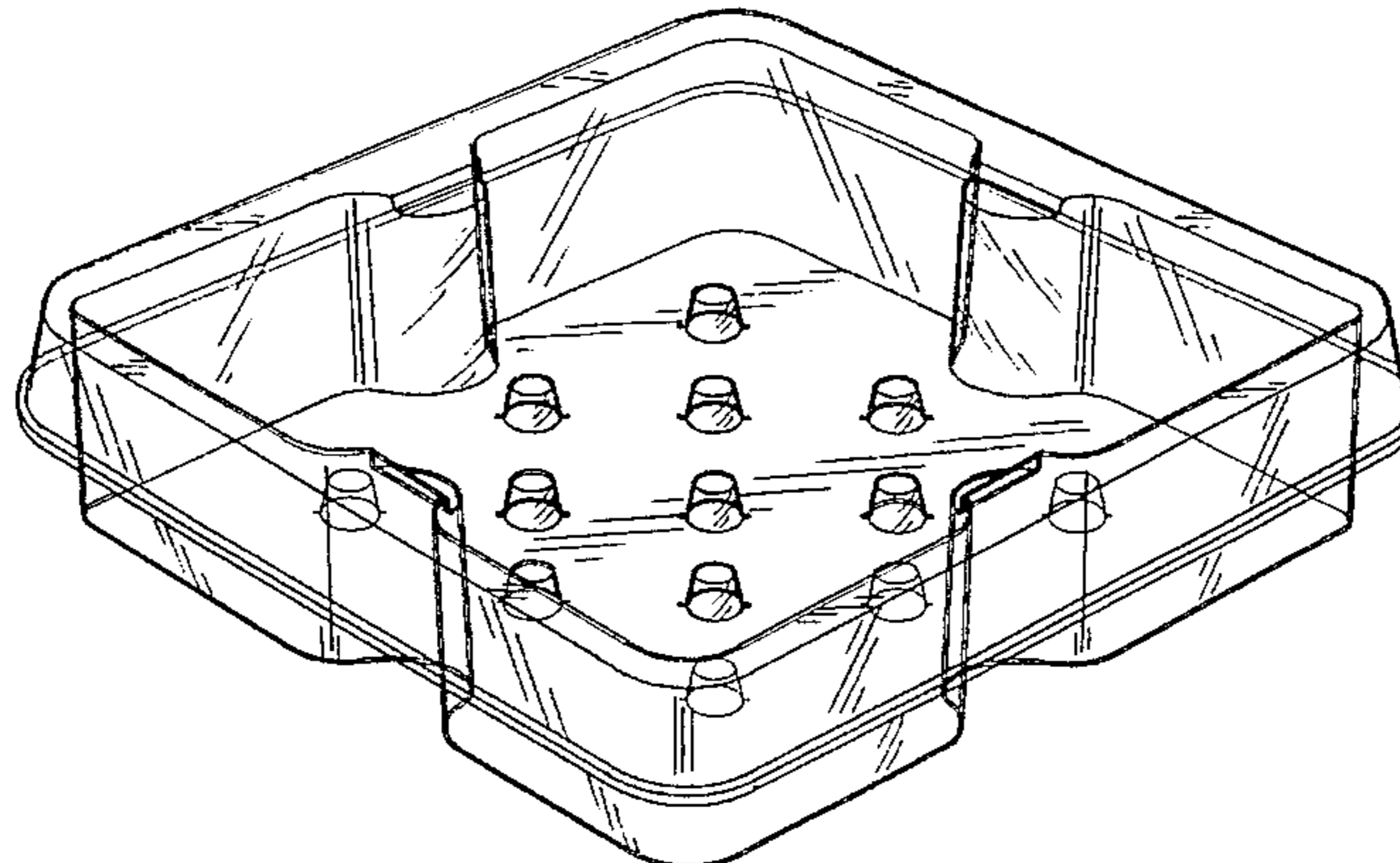
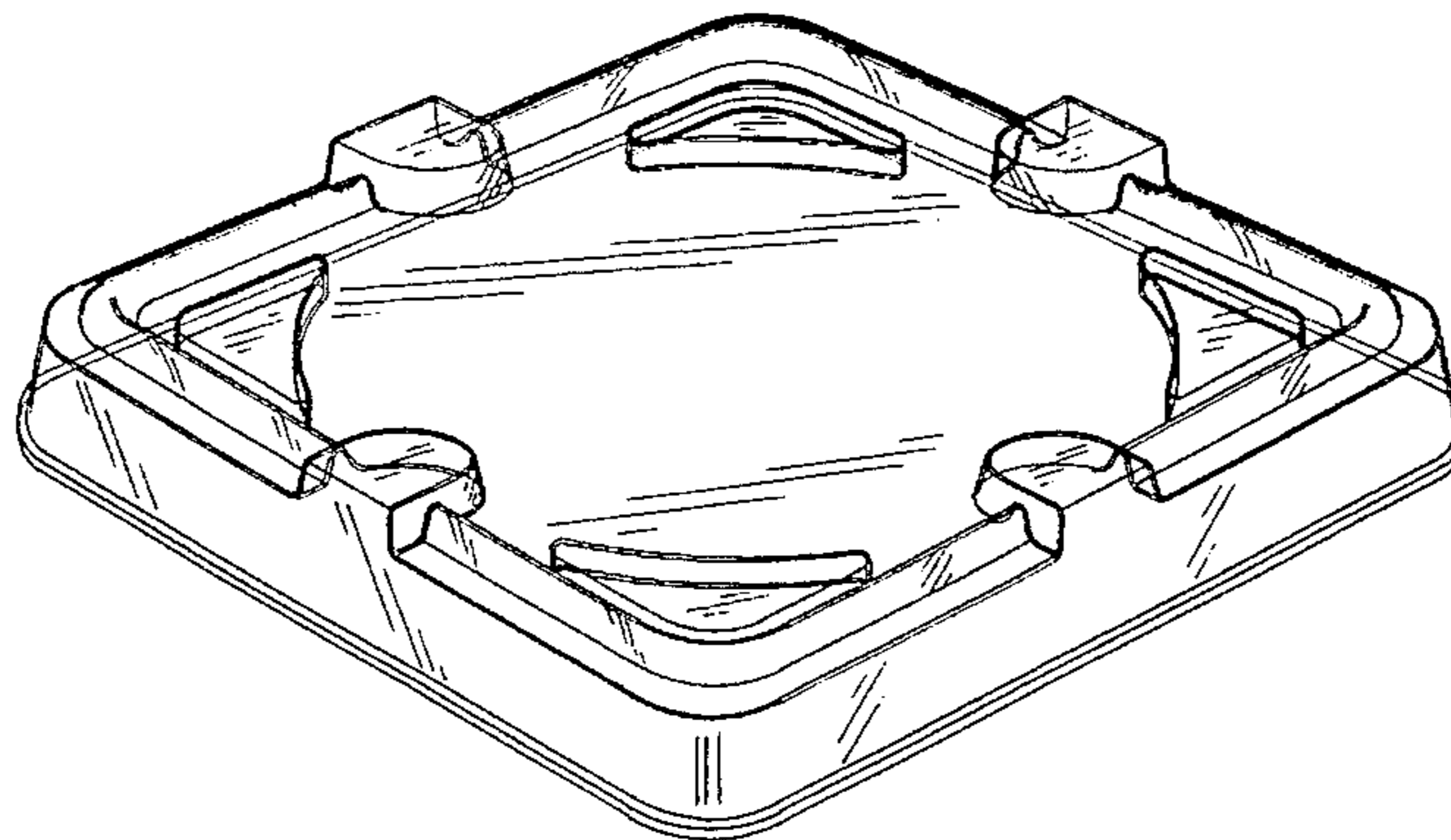
FIG. 1 is a top and front perspective view of the culture dish;
FIG. 2 is a top plan view thereof;
FIG. 3 is a front elevational view thereof;
FIG. 4 is a side elevational view thereof;
FIG. 5 is a bottom plan view thereof; and,
FIG. 6 is an exploded perspective view thereof.

[56] **References Cited**

U.S. PATENT DOCUMENTS

3,986,935	10/1976	Jackson, Jr. et al.	D24/226 X
4,407,943	10/1983	Cole et al.	435/7
4,686,190	8/1987	Cramer et al.	435/291

1 Claim, 6 Drawing Sheets



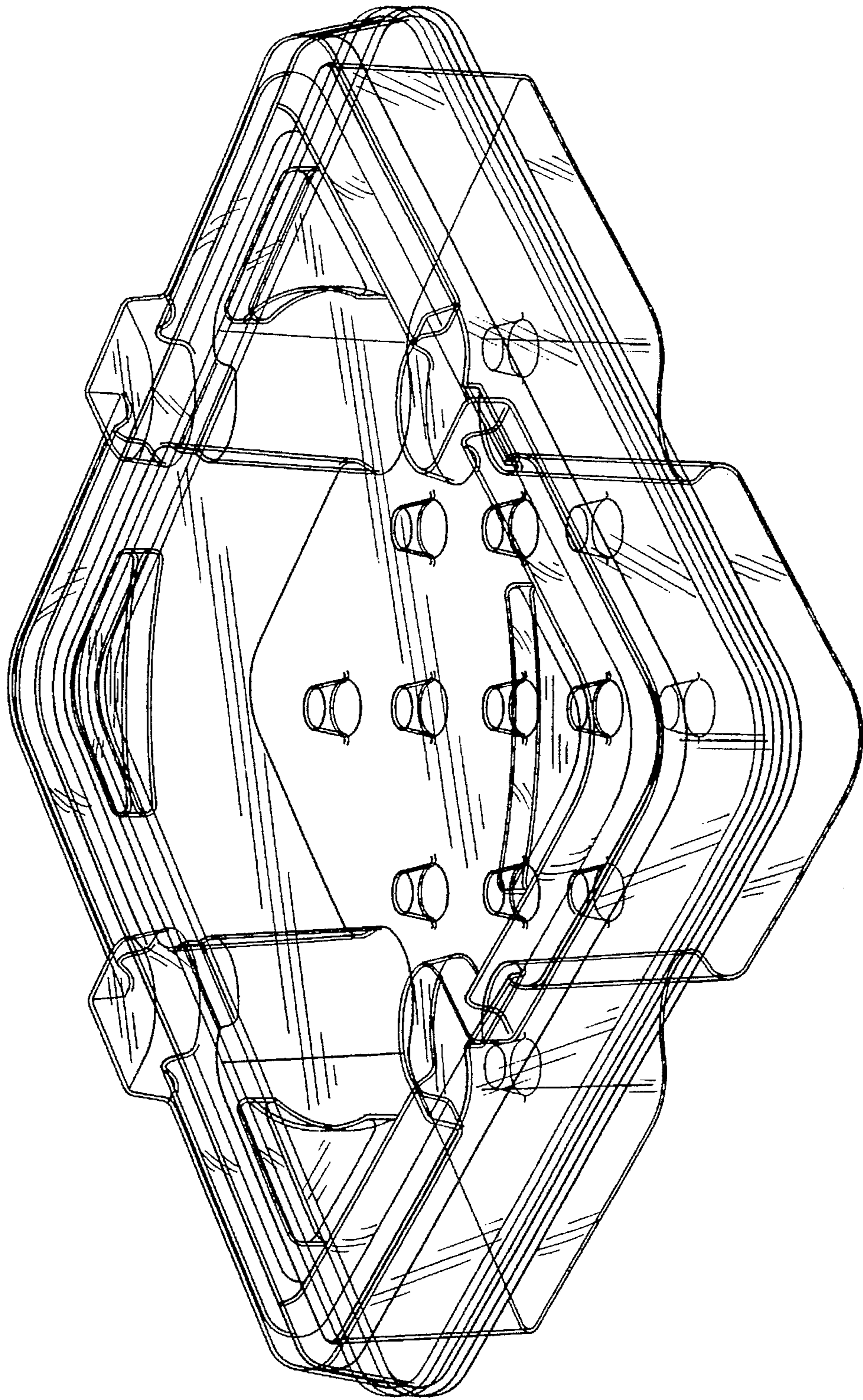


FIG-1

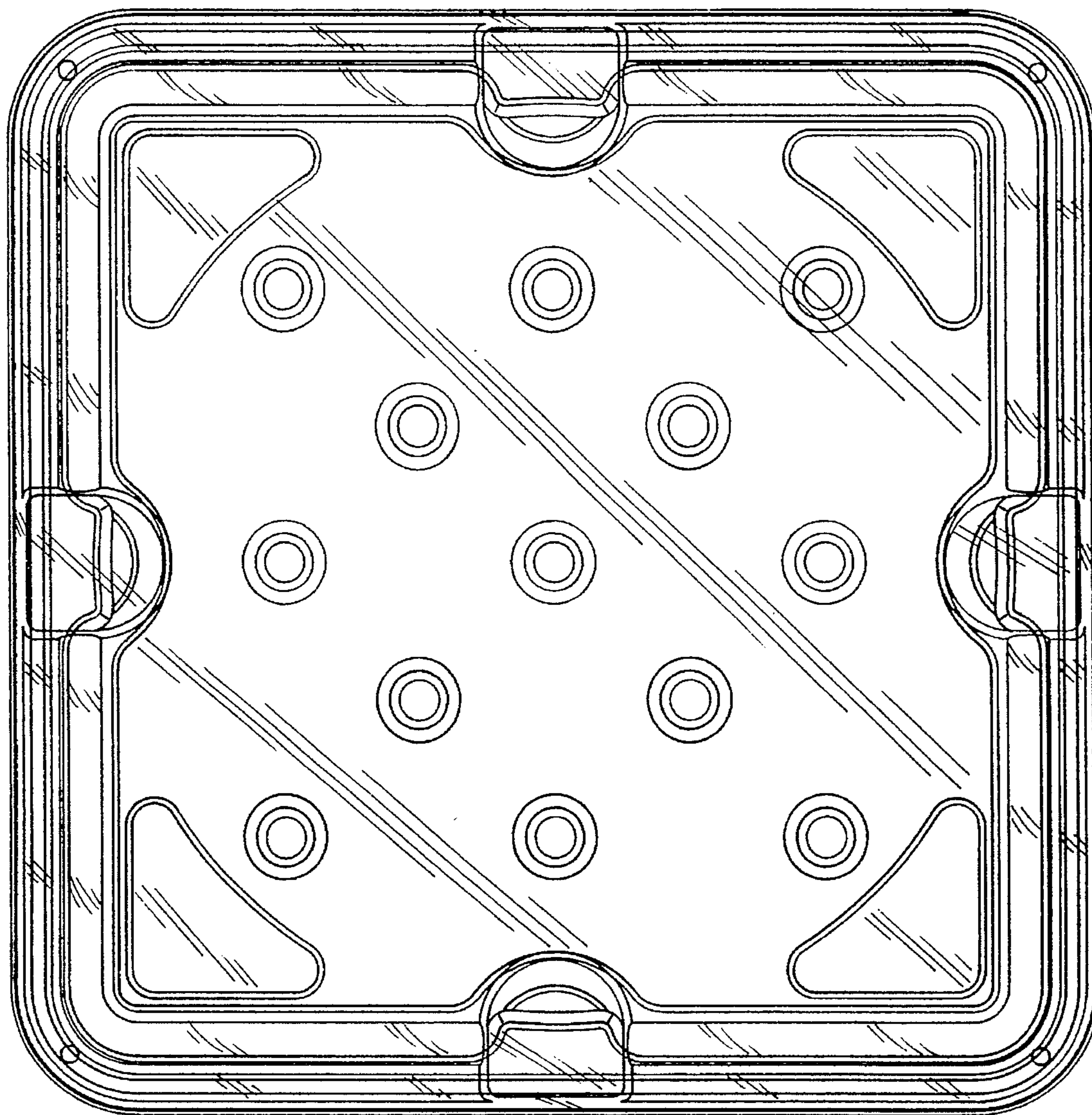
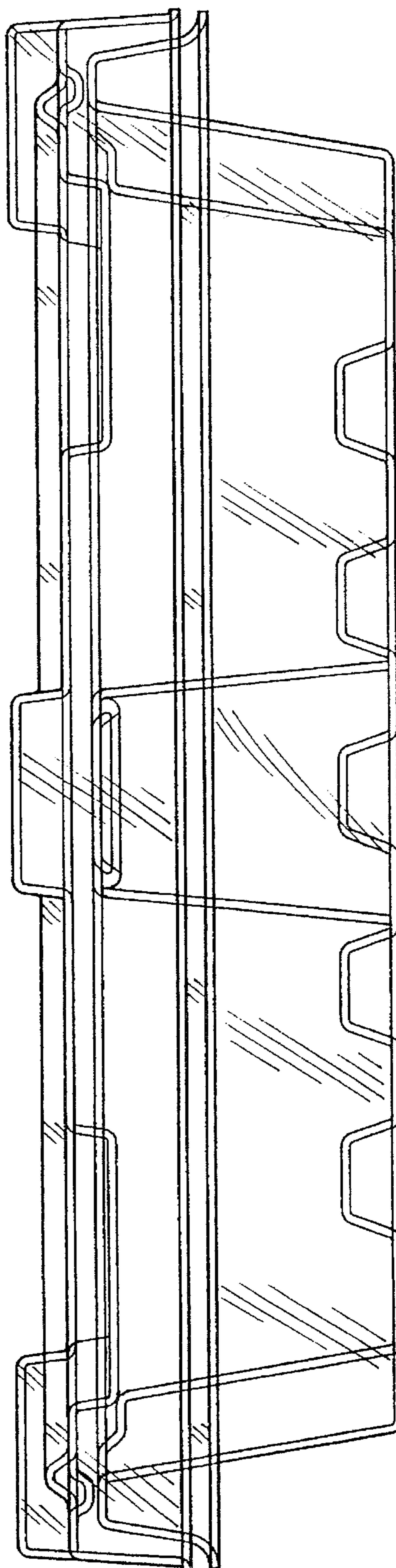


FIG-2

FIG-3



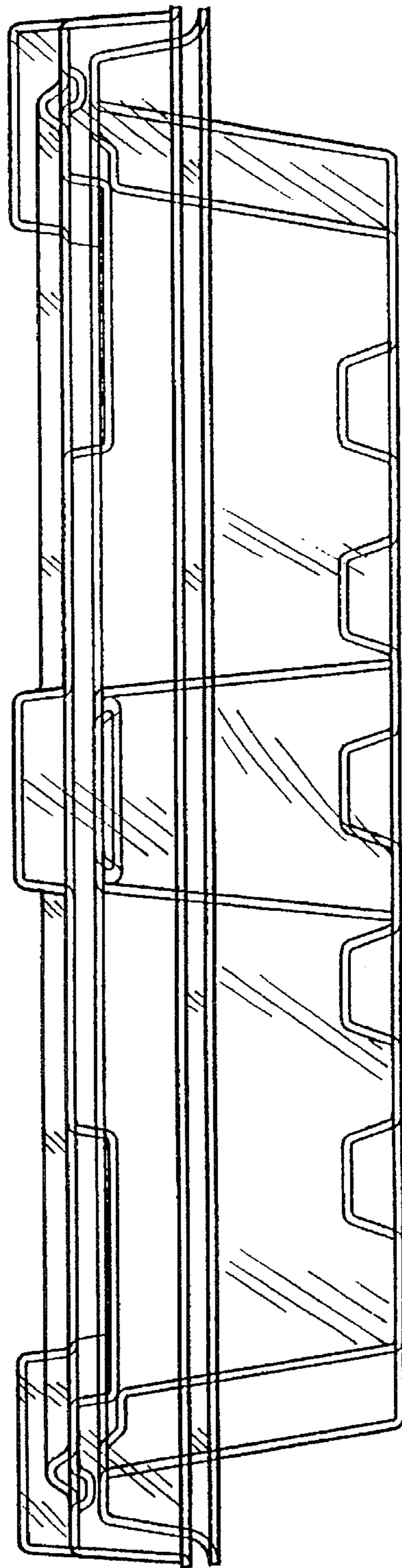


FIG-4

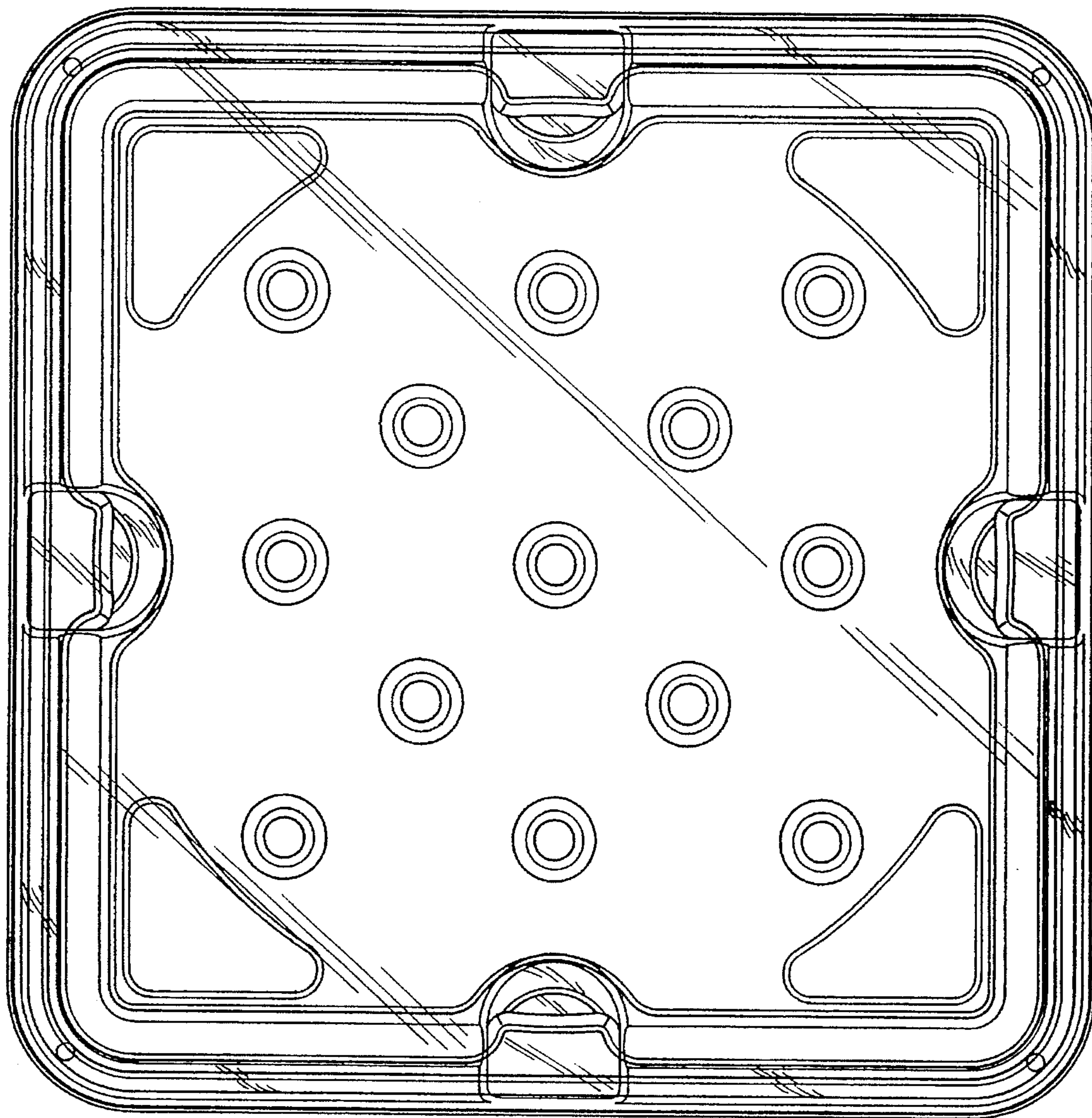
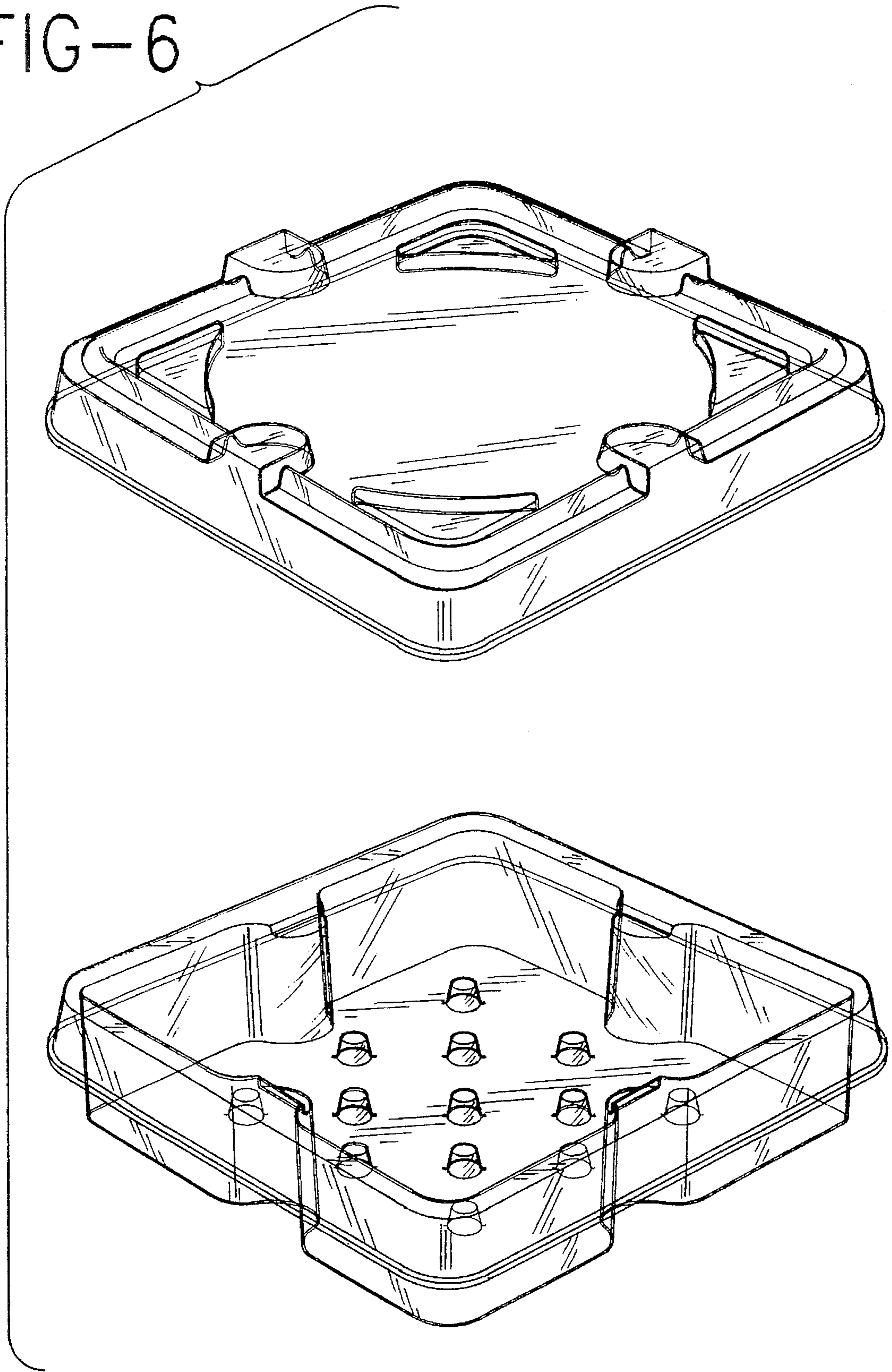


FIG-5

FIG-6



UNITED STATES PATENT AND TRADEMARK OFFICE
CERTIFICATE OF CORRECTION

PATENT NO : Des. 378,941
DATED : April 22, 1997
INVENTOR(S): Lahm et al.

It is certified that error appears in the above-identified patent and that said Letters Patent is hereby corrected as shown below:

at [73] Assignee, add the following:

Organogenesis, Inc.
Canton, MA

Signed and Sealed this
Sixteenth Day of June, 1998

Attest:



BRUCE LEHMAN

Attesting Officer

Commissioner of Patents and Trademarks