



US00D378938S

**United States Patent** [19]  
**Solomon**

[11] **Patent Number: Des. 378,938**

[45] **Date of Patent: \*\*Apr. 22, 1997**

[54] **NEUROLOGICAL PINWHEEL**

5,474,083 12/1995 Cunniff ..... 128/744

[76] Inventor: **Charles L. Solomon**, 4571 Balcom Canyon, Somis, Calif. 93066

*Primary Examiner*—Louis S. Zarfes  
*Assistant Examiner*—I. Simmons  
*Attorney, Agent, or Firm*—Louis J. Bachand

[\*\*] Term: **14 Years**

[57] **CLAIM**

[21] Appl. No.: **46,530**

The ornamental design for a neurological pinwheel as shown and described.

[22] Filed: **Nov. 17, 1995**

[52] U.S. Cl. .... **D24/142; D24/147**

**DESCRIPTION**

[58] Field of Search ..... **D24/142, 133, D24/147; 128/744, 743; D4/104**

FIG. 1 is a perspective view of my new neurological pinwheel design;  
FIG. 2 is a top view thereof;  
FIG. 3 is a bottom view thereof;  
FIG. 4 is a left side view thereof;  
FIG. 5 is a front view thereof;  
FIG. 6 is a right side view thereof; and,  
FIG. 7 is a rear view thereof.

[56] **References Cited**

**U.S. PATENT DOCUMENTS**

D. 296,470	6/1988	Leopoldi	.....	D24/142 X
5,222,504	6/1993	Solomon	.....	128/744
5,316,012	5/1994	Siegal	.....	128/744
5,433,212	7/1995	Gareenfield	.....	128/744
5,445,163	8/1995	Machacek	.....	128/744

**1 Claim, 2 Drawing Sheets**

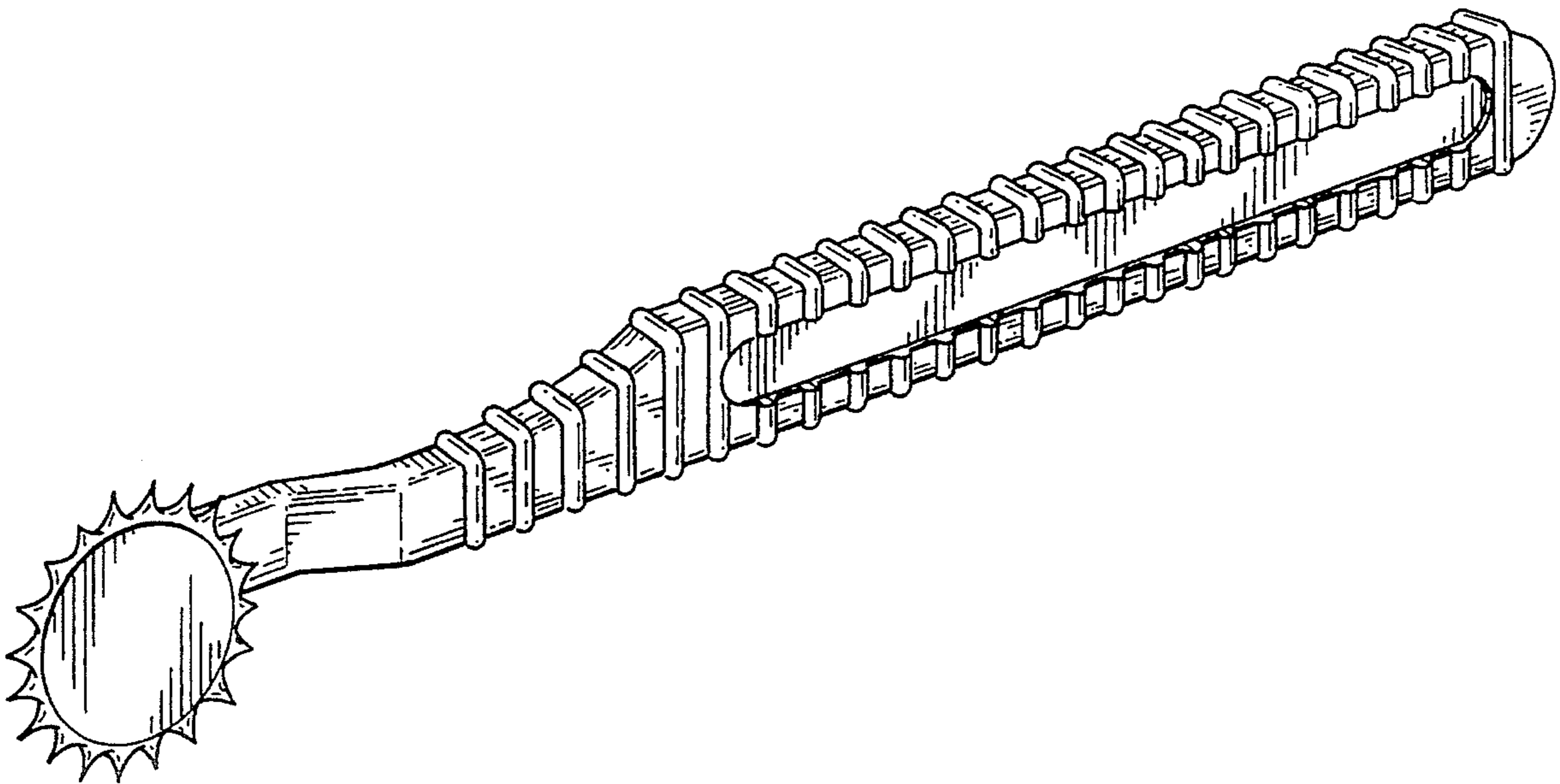


FIG. 1

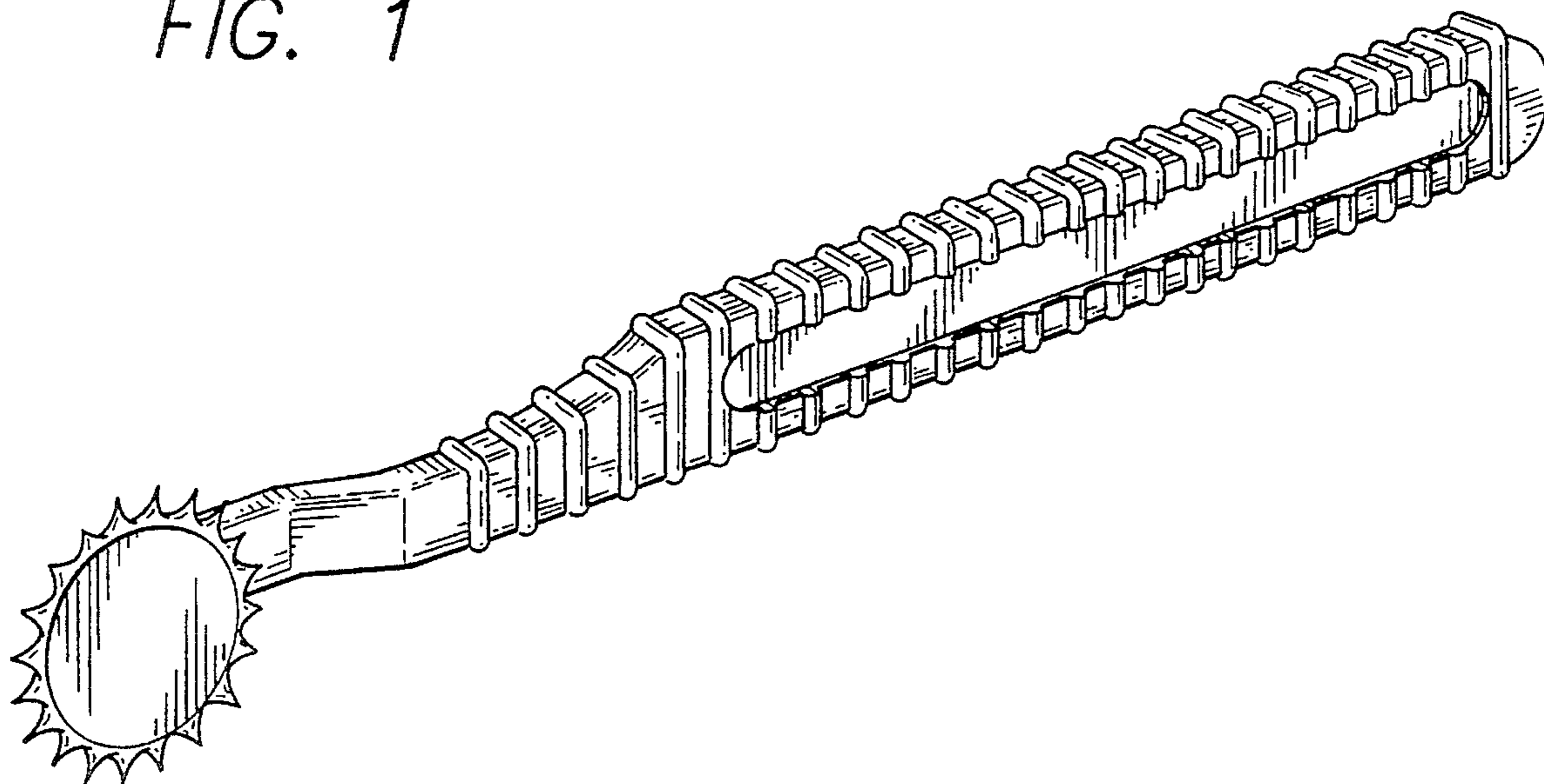


FIG. 2

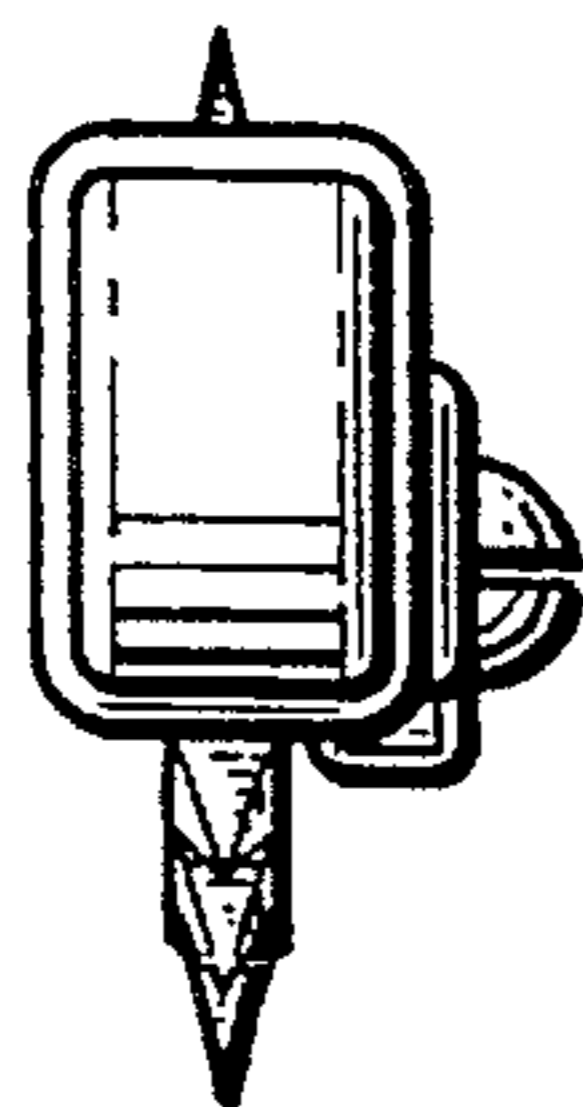
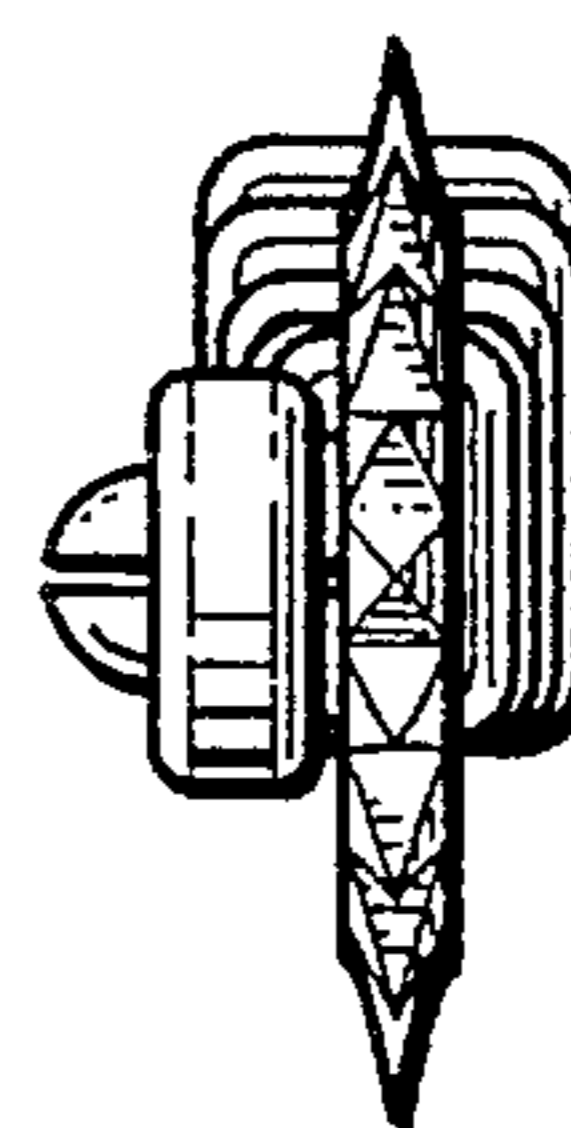


FIG. 3

FIG. 4

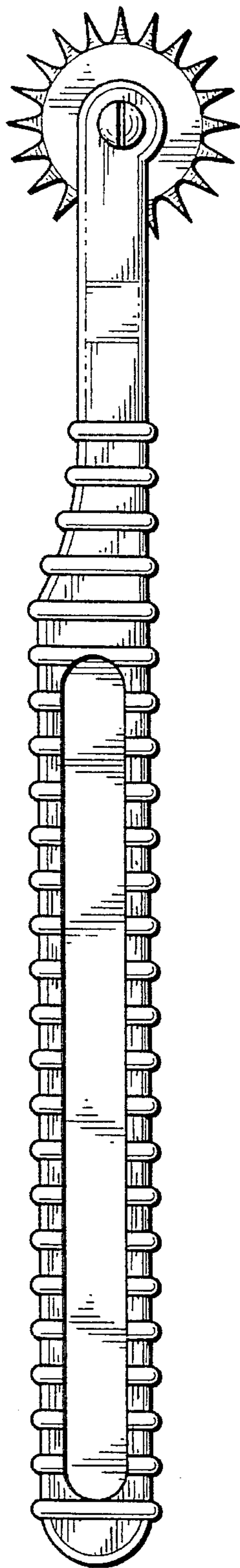


FIG. 5

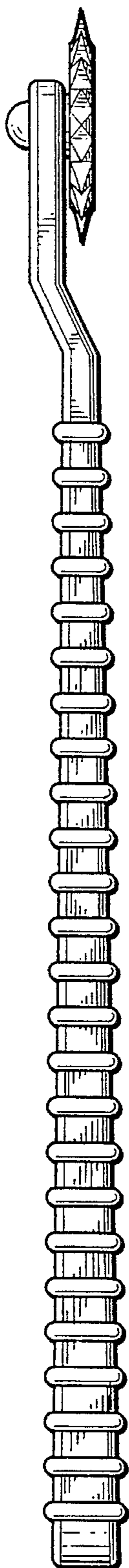


FIG. 6

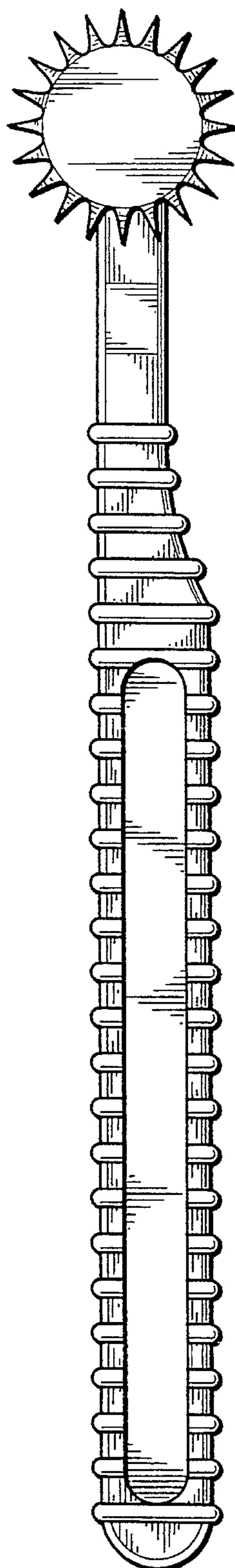


FIG. 7

