



US00D378936S

**United States Patent** [19]  
**DePaoli**

[11] **Patent Number: Des. 378,936**

[45] **Date of Patent: \*\*Apr. 22, 1997**

[54] **GUN SIGHT WITH CONTROLS**

[76] Inventor: **Alfred C. DePaoli**, 1 Wyman St.,  
Woburn, Mass. 01801

[\*\*] Term: **14 Years**

[21] Appl. No.: **18,939**

[22] Filed: **Feb. 18, 1994**

[52] U.S. Cl. .... **D22/109; D22/110**

[58] Field of Search ..... D16/130, 131,  
D16/132, 134, 135, 235; D22/110, 109,  
199; 33/233, 241, 245, 252; 250/330, 333;  
350/1, 2; 353/74, 142, 241, 149, 251; 354/74;  
356/142, 149, 241, 251; 359/353, 382,  
383, 384, 399, 405, 407, 412, 413, 415,  
419, 430, 480, 802, 803, 804, 805, 810,  
811; 362/110, 259

[56] **References Cited**

**U.S. PATENT DOCUMENTS**

D. 359,061	6/1995	Omi	.....	D16/136
4,084,326	4/1978	Numbers	.....	33/245
5,025,564	6/1991	Sanders	.....	33/241

*Primary Examiner*—Louis S. Zarfes

*Assistant Examiner*—Monica A. Hannon

*Attorney, Agent, or Firm*—Robert T. Dunn, Esq.

[57] **CLAIM**

The ornamental design for gun sight with controls, as shown and described.

**DESCRIPTION**

FIG. 1 of the drawings is a perspective partially back, side and top view of the gun sight with controls of the present invention in which the broken lines show environmental structure for illustrative purposes only and form no part of the claimed design;

FIG. 2 of the drawings is a view of the top of the gun sight with controls;

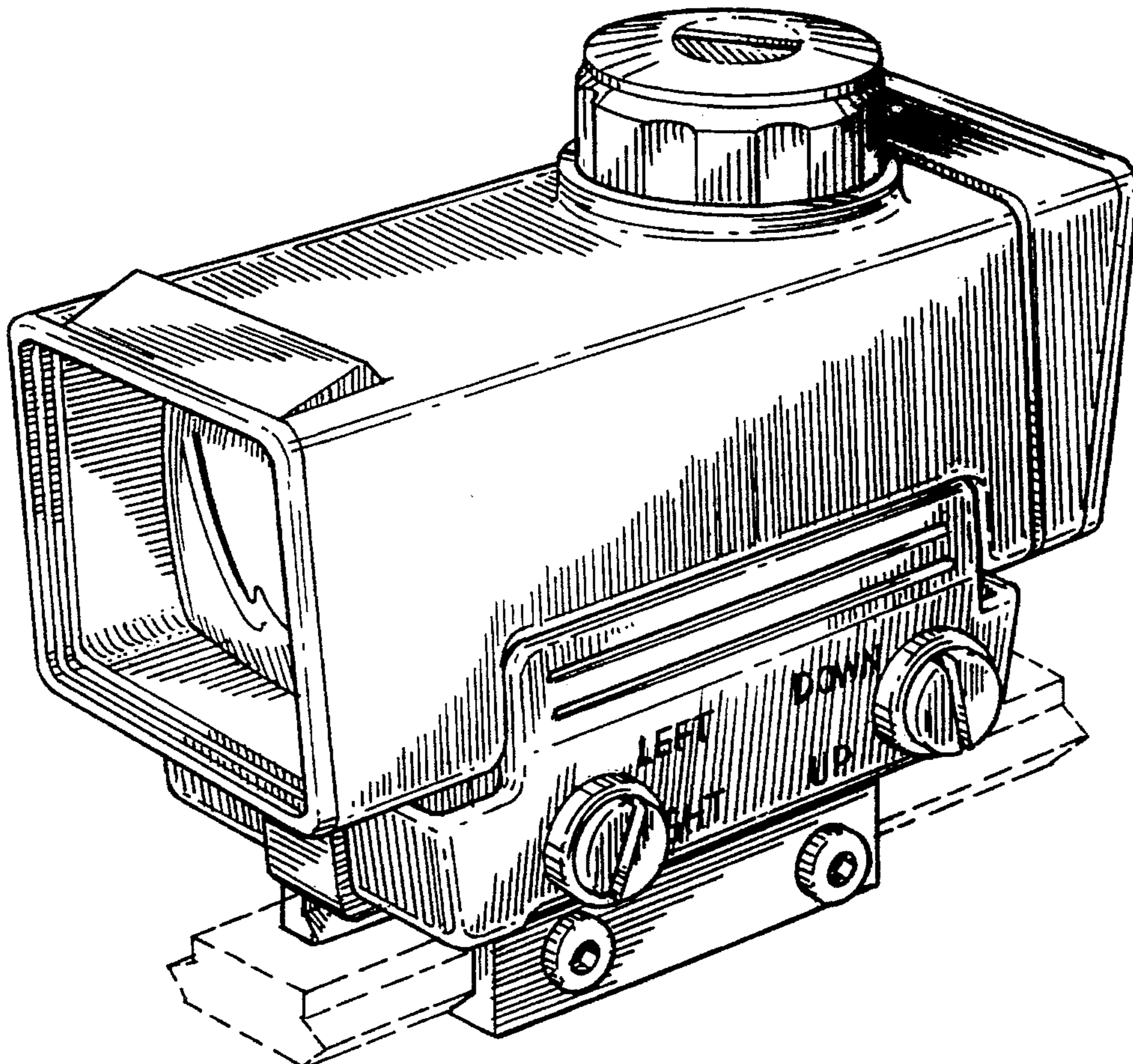
FIG. 3 of the drawings is a view of the back of the gun sight with controls in which the broken lines show environmental structure for illustrative purposes only and form no part of the claimed design;

FIG. 4 of the drawings is view of the front of the gun sight with controls in which the broken lines show environmental structure for illustrative purposes only and form no part of the claimed design;

FIG. 5 of the drawings is a view of the right side of the gun sight with controls; and,

FIG. 6 of the drawings is a view of the left side of the gun sight with controls.

**1 Claim, 3 Drawing Sheets**



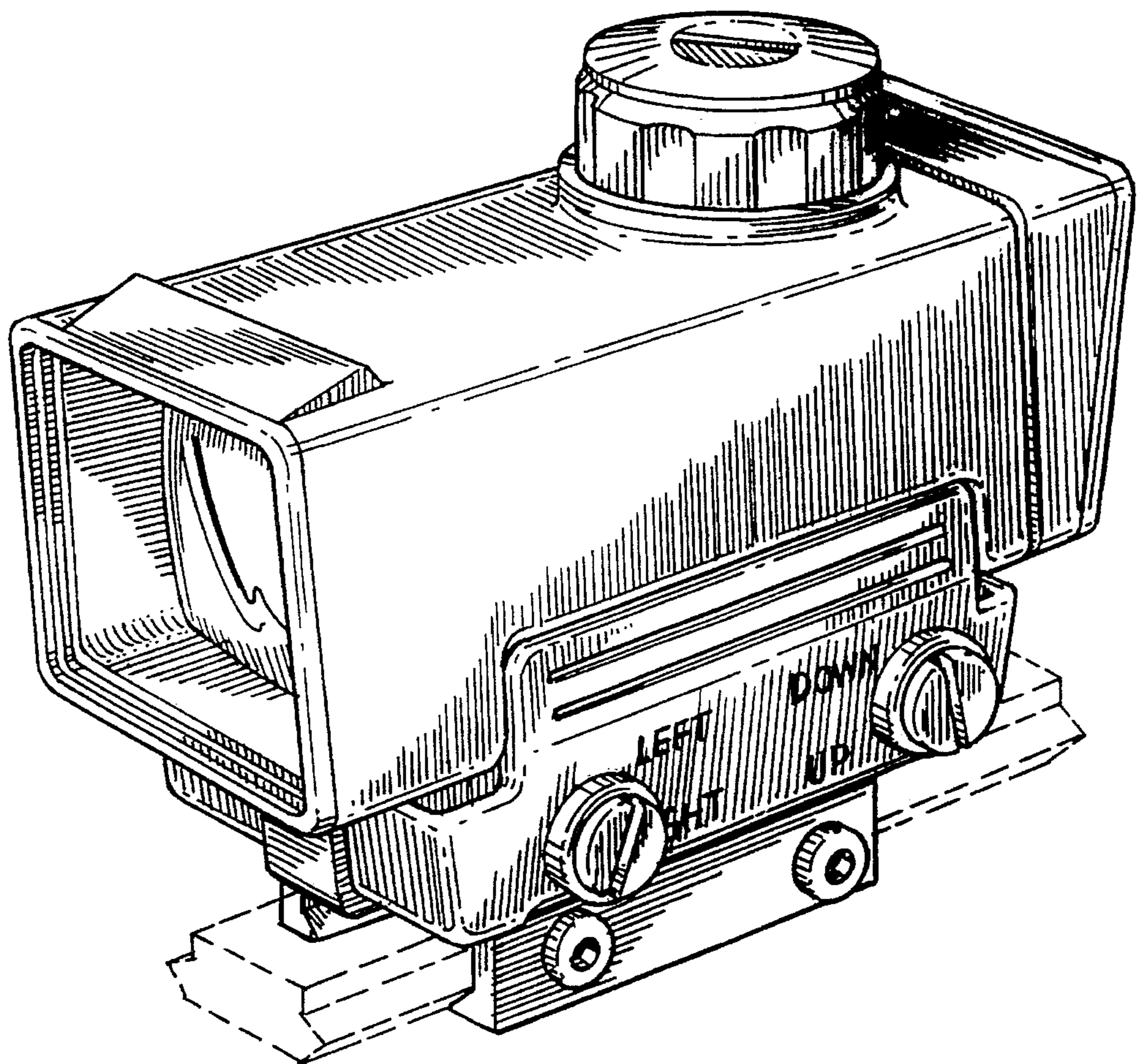


FIG. 1

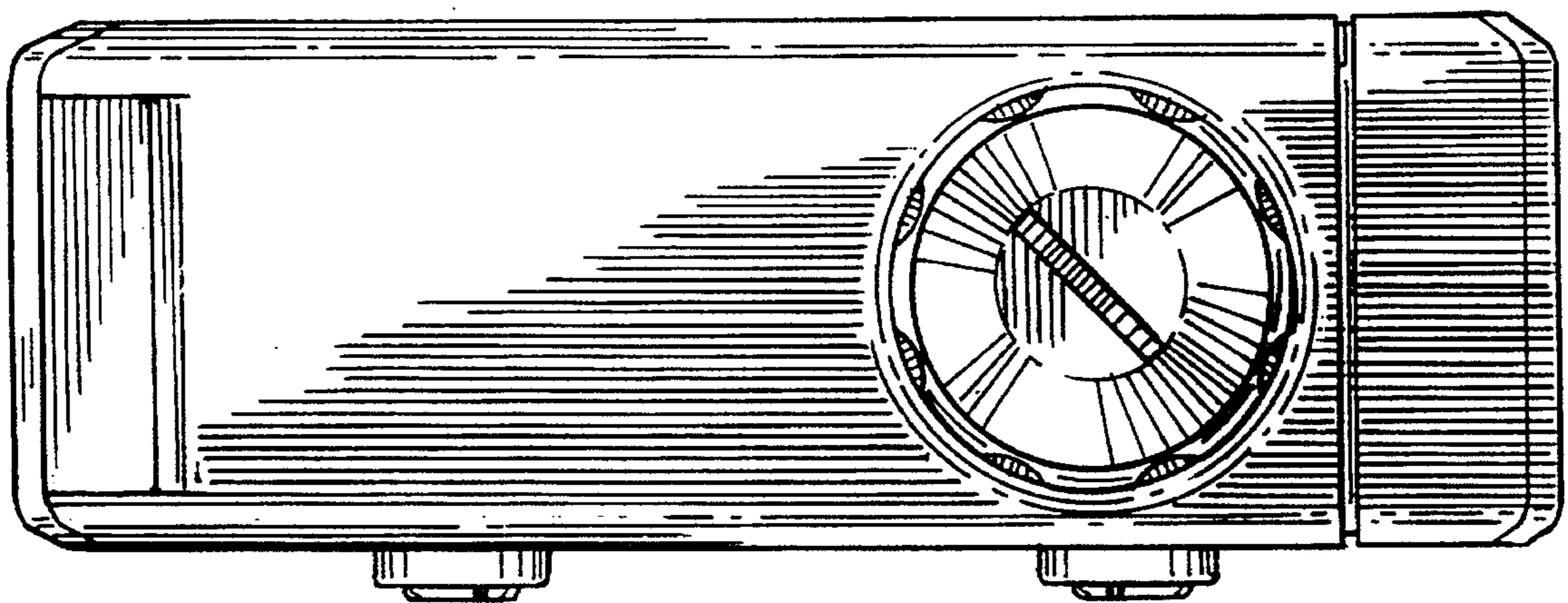


FIG. 2

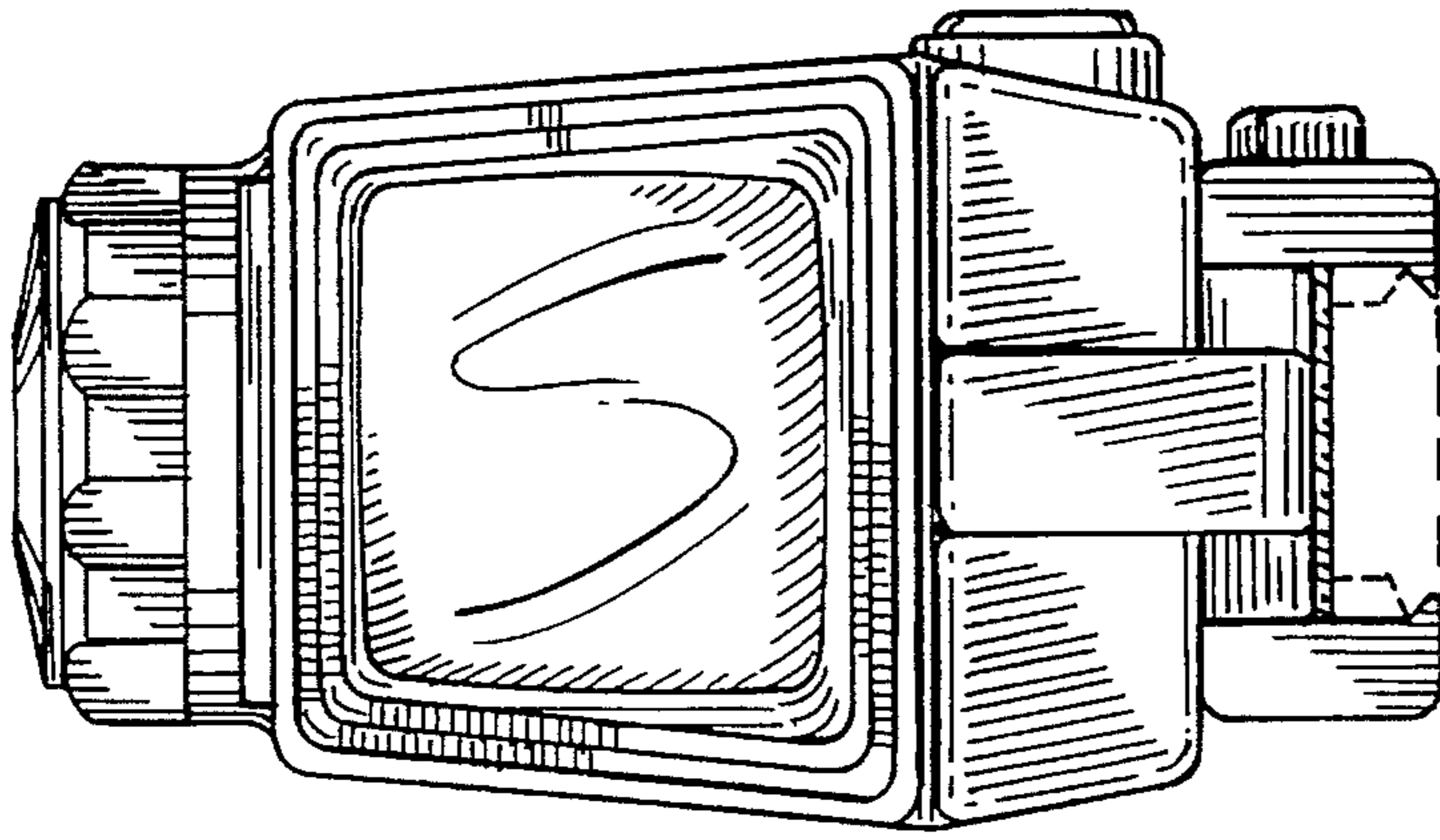


FIG. 3

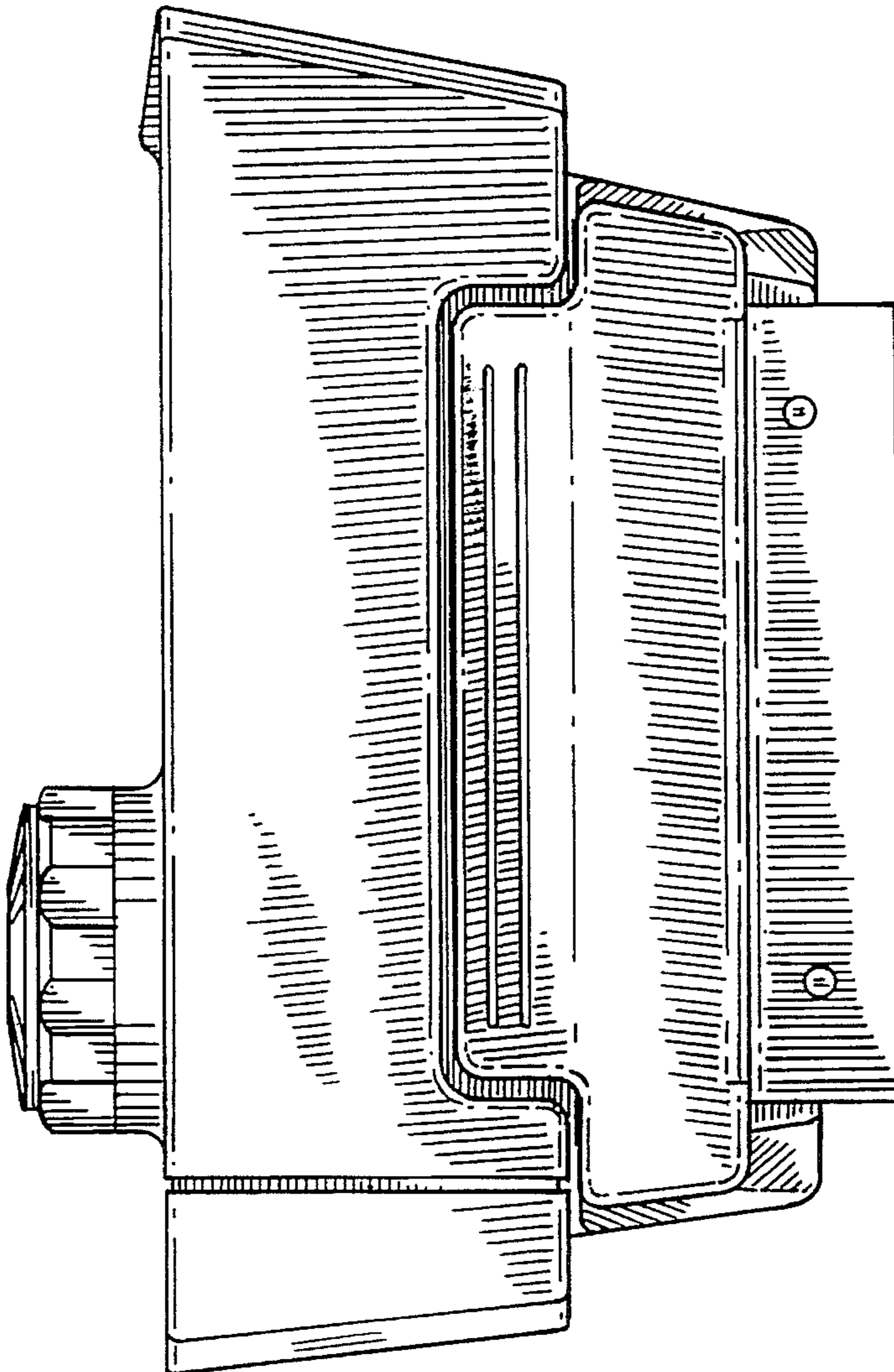


FIG. 6

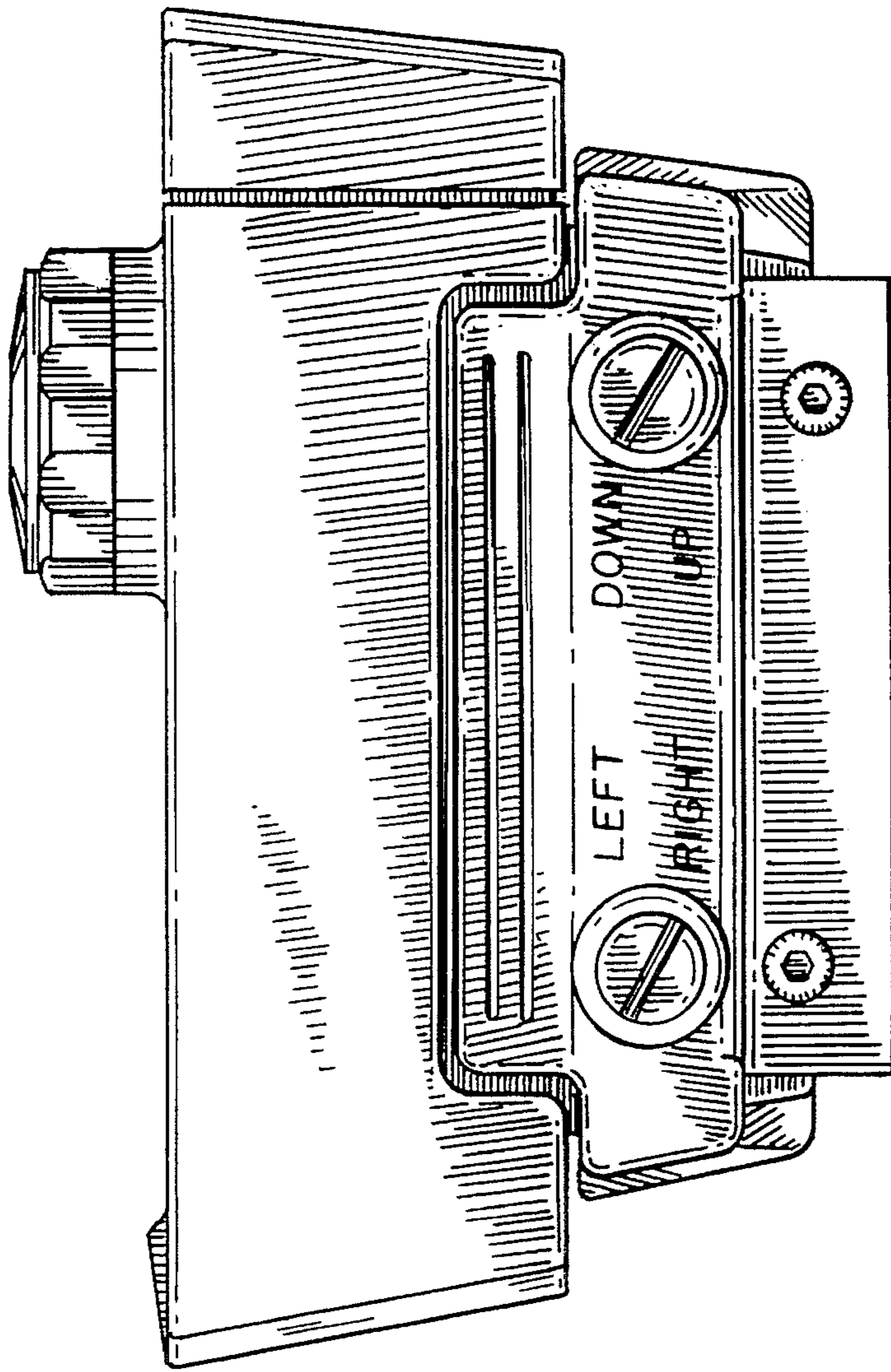


FIG. 4

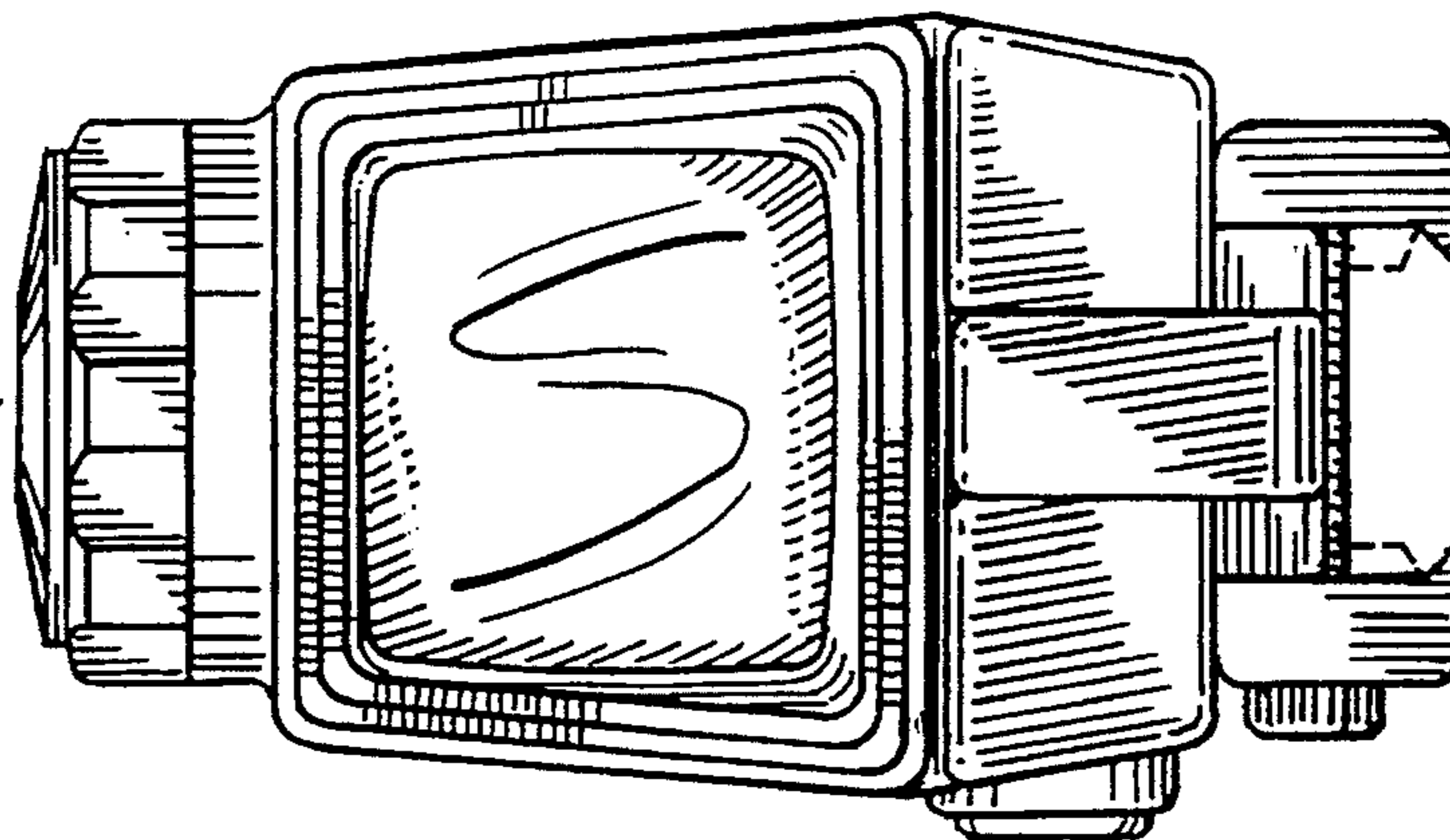


FIG. 5