



US00D378935S

**United States Patent** [19]  
**Blonski**

[11] **Patent Number: Des. 378,935**

[45] **Date of Patent: \*\*Apr. 22, 1997**

[54] **GRIP FOR TENNIS RACQUET HANDLE**

4,984,793 1/1991 Chen ..... 273/75  
5,171,011 12/1992 Squadroni ..... 273/75 X

[75] Inventor: **Brian J. Blonski**, Yardley, Pa.

**FOREIGN PATENT DOCUMENTS**

[73] Assignee: **Prince Sports Group, Inc.**,  
Bordentown, N.J.

217272 6/1924 United Kingdom .

[\*] Notice: The portion of the term of this patent  
subsequent to May 21, 2010, has been  
disclaimed.

*Primary Examiner*—Ted Shooman  
*Assistant Examiner*—Mitchell I. Siegel  
*Attorney, Agent, or Firm*—White & Case

[\*\*] Term: **14 Years**

[57] **CLAIM**

The ornamental design for a grip for a tennis racquet handle,  
as shown and described.

[21] Appl. No.: **35,047**

**DESCRIPTION**

[22] Filed: **Feb. 17, 1995**

[52] U.S. Cl. .... **D21/222; D21/212**

[58] Field of Search ..... D21/212, 213,  
D21/222; 273/81 R, 81 B, 75

FIG. 1 is a front elevational view of a grip for a tennis  
racquet handle showing my new design, the undisclosed  
opposite side being identical; and,

FIG. 2 is a side view thereof, the undisclosed opposite side  
being identical.

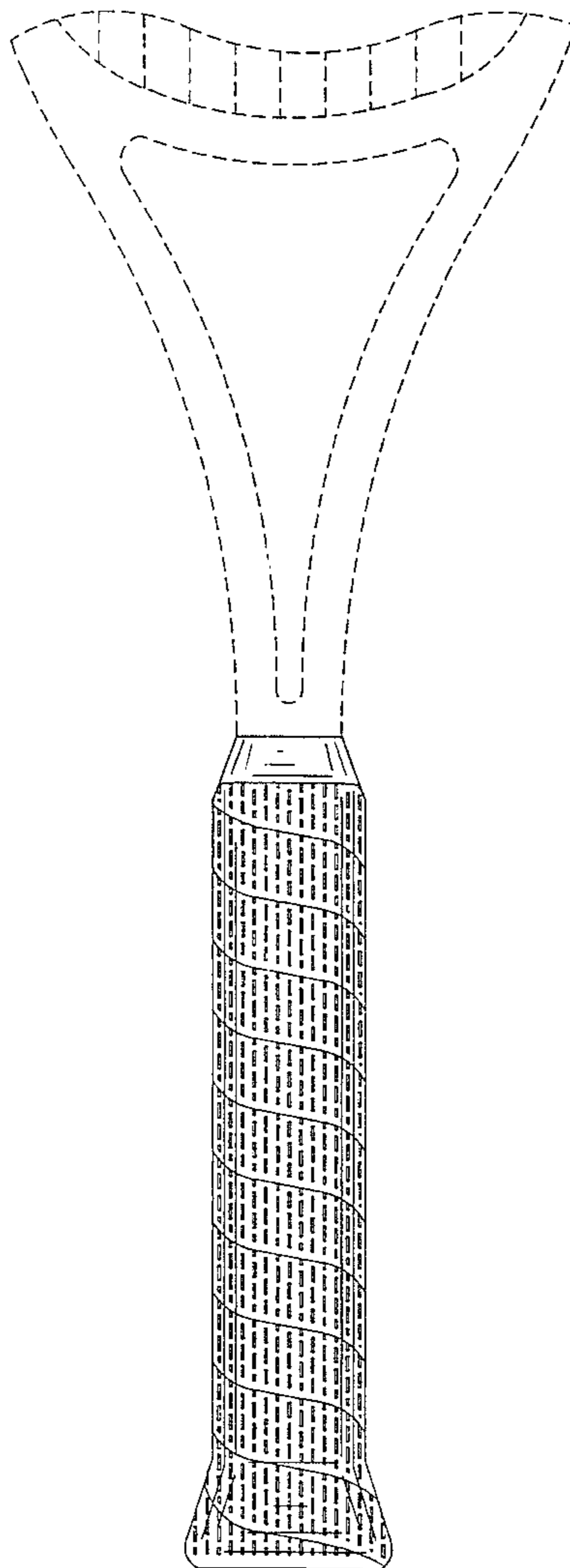
The broken line showing of the neck and fragmented head  
portion of the tennis racquet is for illustrative purposes only  
and forms no part of the claimed design.

[56] **References Cited**

**U.S. PATENT DOCUMENTS**

D. 172,416 6/1954 Brandon et al. .... D21/222  
D. 306,054 2/1990 Chen ..... D21/212  
4,478,416 10/1984 Gibello ..... D21/212 X

**1 Claim, 1 Drawing Sheet**



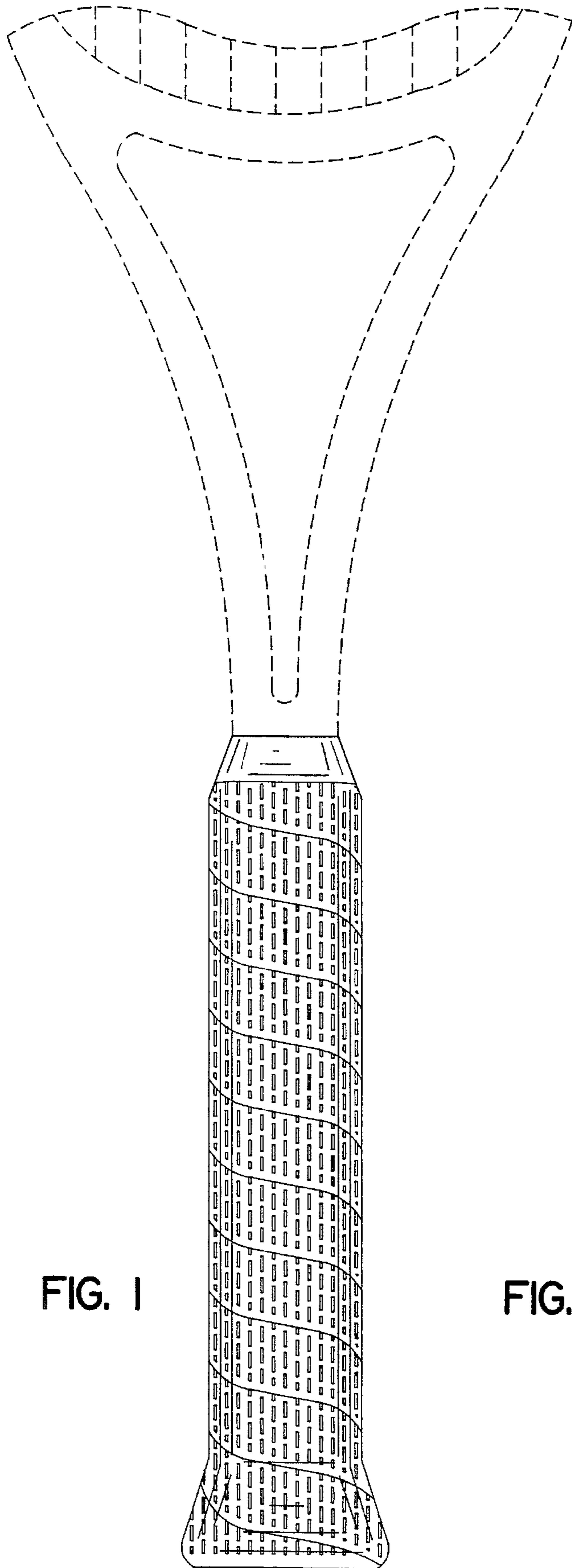


FIG. 1

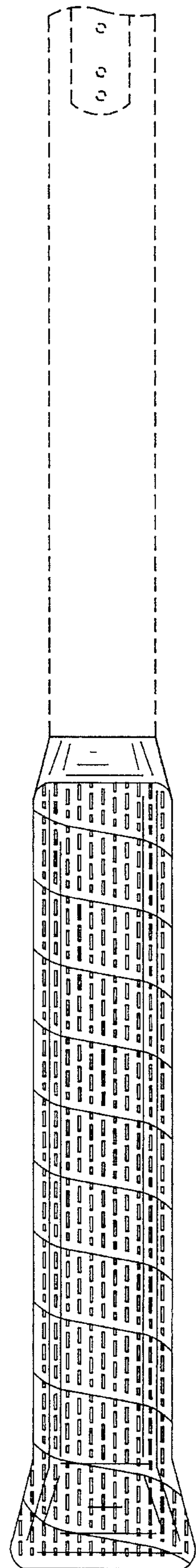


FIG. 2