



US00D378934S

United States Patent [19]

[11] Patent Number: **Des. 378,934**

Clanton

[45] Date of Patent: ****Apr. 22, 1997**

[54] GOLF PUTTER

OTHER PUBLICATIONS

[76] Inventor: **Radford O. Clanton**, 403 Meadow Lark Dr., Greeneville, Tenn. 37743

Edwin Watts Pro-Line; 1993; p. 27; putter 3rd row down on left, item C and D "Wilson 8813 or 8802".

[**] Term: **14 Years**

Primary Examiner—Ted Shooman
Assistant Examiner—Mitchel I. Siegel
Attorney, Agent, or Firm—Pitts & Brittan, P.C.

[21] Appl. No.: **28,414**

[22] Filed: **Sep. 14, 1994**

[57] CLAIM

[52] U.S. Cl. **D21/217**

The ornamental design of a golf putter, as shown and described.

[58] Field of Search D21/217-219;
273/167-175

DESCRIPTION

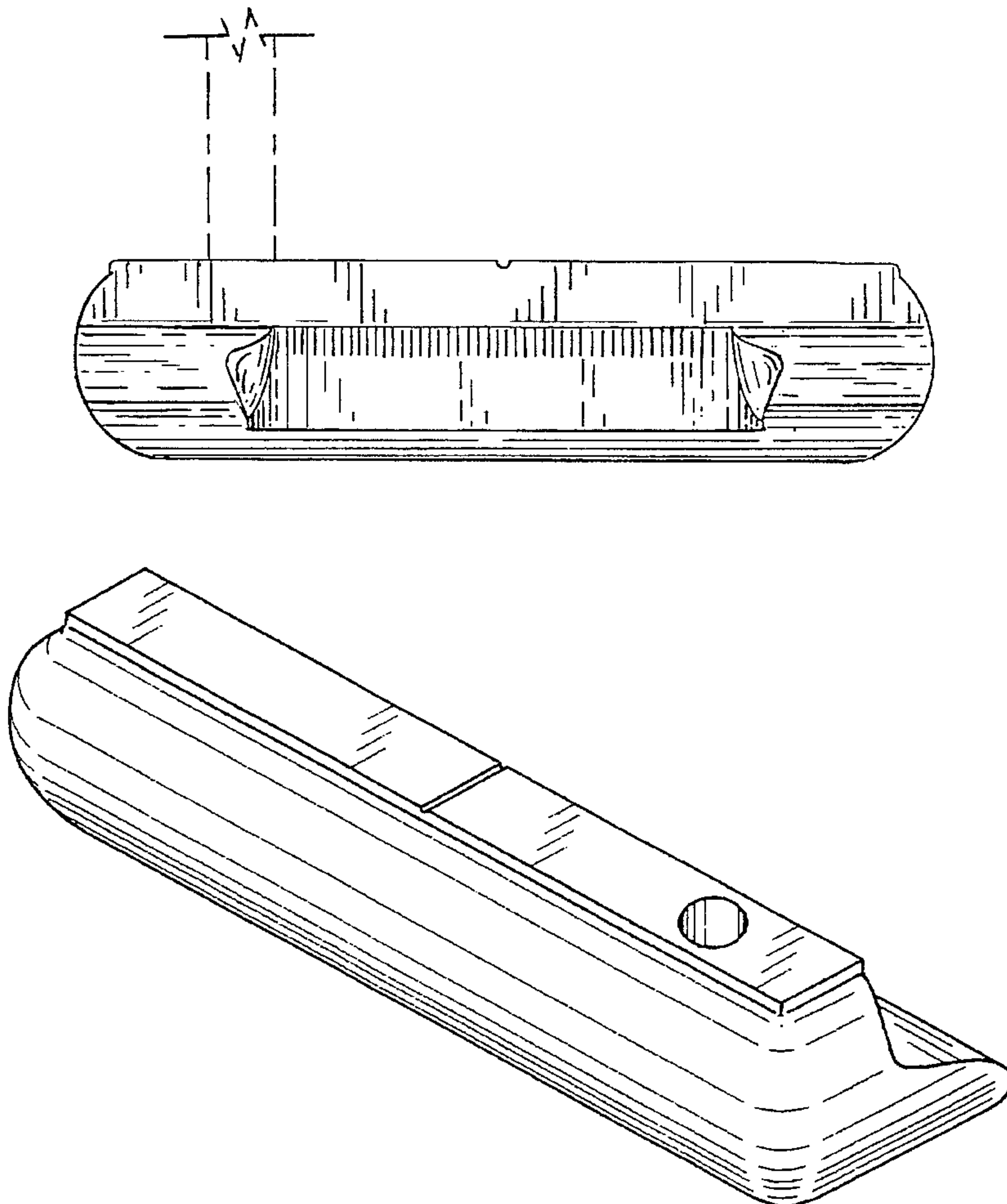
[56] References Cited

FIG. 1 is a front elevational view of a golf putter showing my new design;
FIG. 2 is a rear elevation thereof;
FIG. 3 is a right side elevational view thereof, the undisclosed opposite side being a mirror image;
FIG. 4 is a top plan view thereof;
FIG. 5 is a bottom plan view thereof; and,
FIG. 6 is an enlarged perspective view thereof.
The broken line showing of a fragmented shaft is for illustrative purposes only and forms no part of the claimed design.

U.S. PATENT DOCUMENTS

D. 234,209	1/1975	Bizovi	273/167 F X
D. 238,285	12/1975	Ross	D34/5 GH
D. 263,980	4/1982	Kobayashi	D21/219
D. 300,758	4/1989	Antonious	D21/217
4,156,526	5/1979	Huggins et al.	273/78
4,222,566	9/1980	Berry	273/164
4,834,387	5/1989	Waites et al.	273/164
5,082,277	1/1992	Gingold	273/164
5,190,290	3/1993	Take	273/169
5,211,401	5/1993	Hainey	273/167
5,312,106	5/1994	Cook	273/169

1 Claim, 3 Drawing Sheets



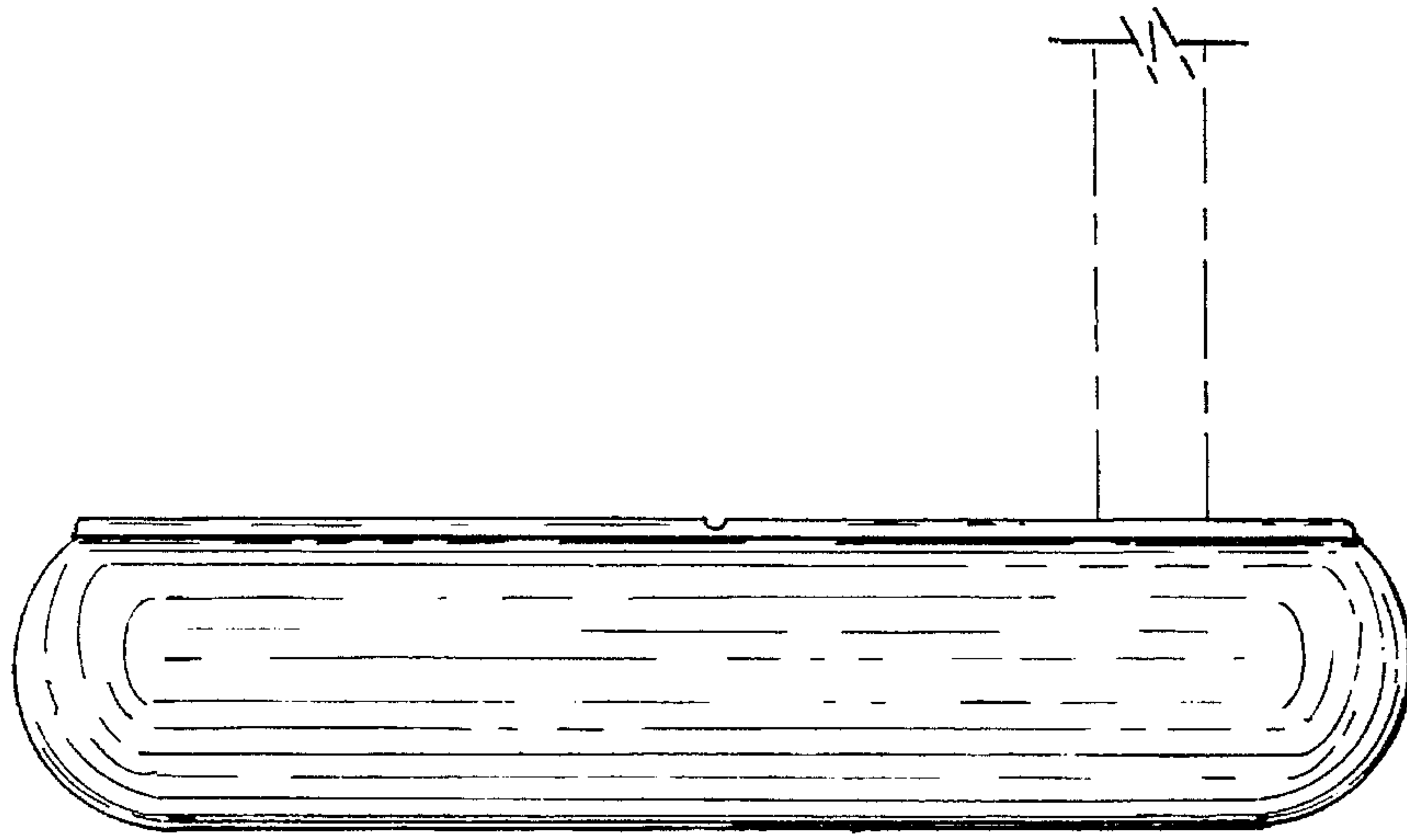


FIG. 1

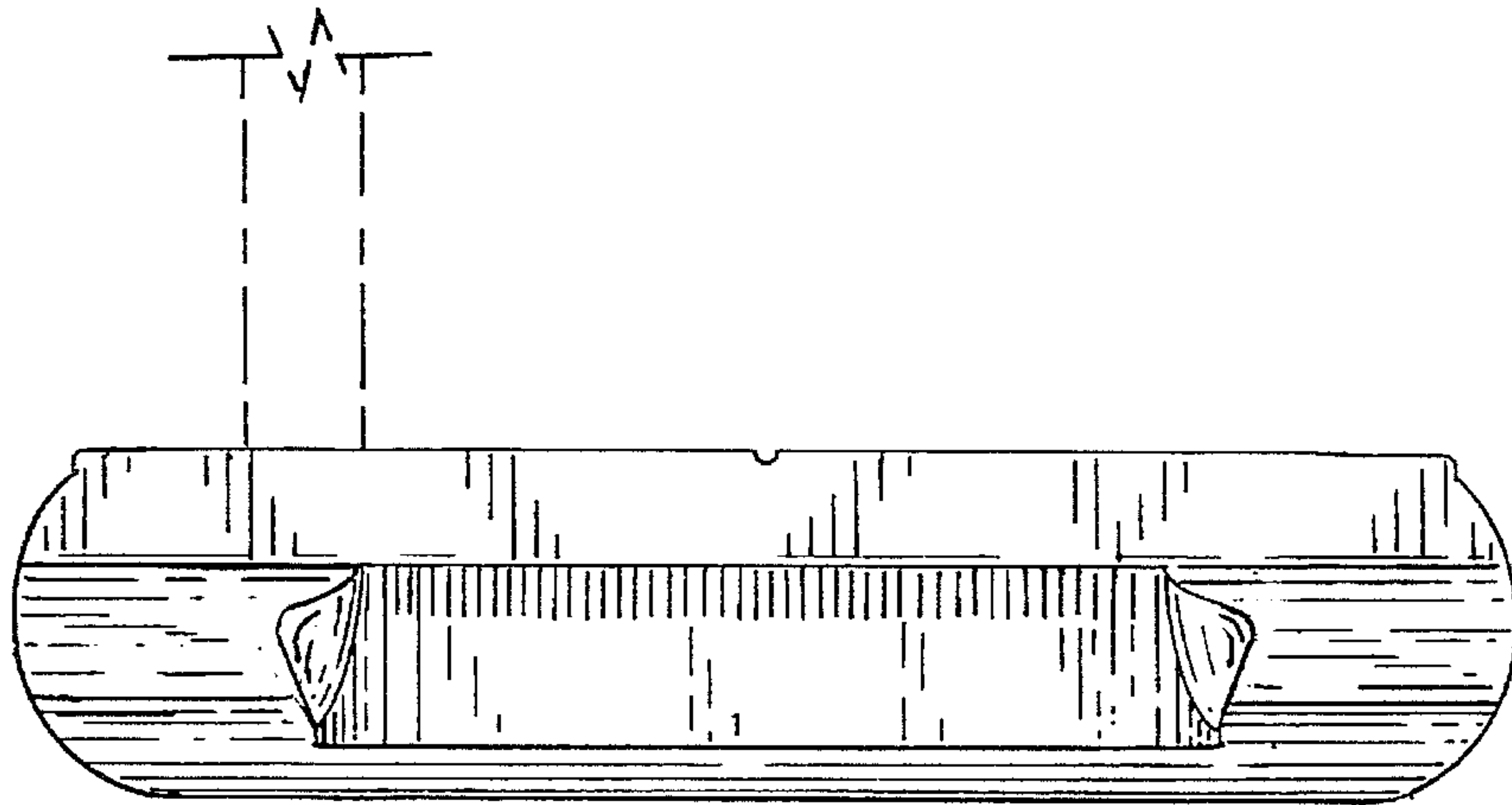


FIG. 2

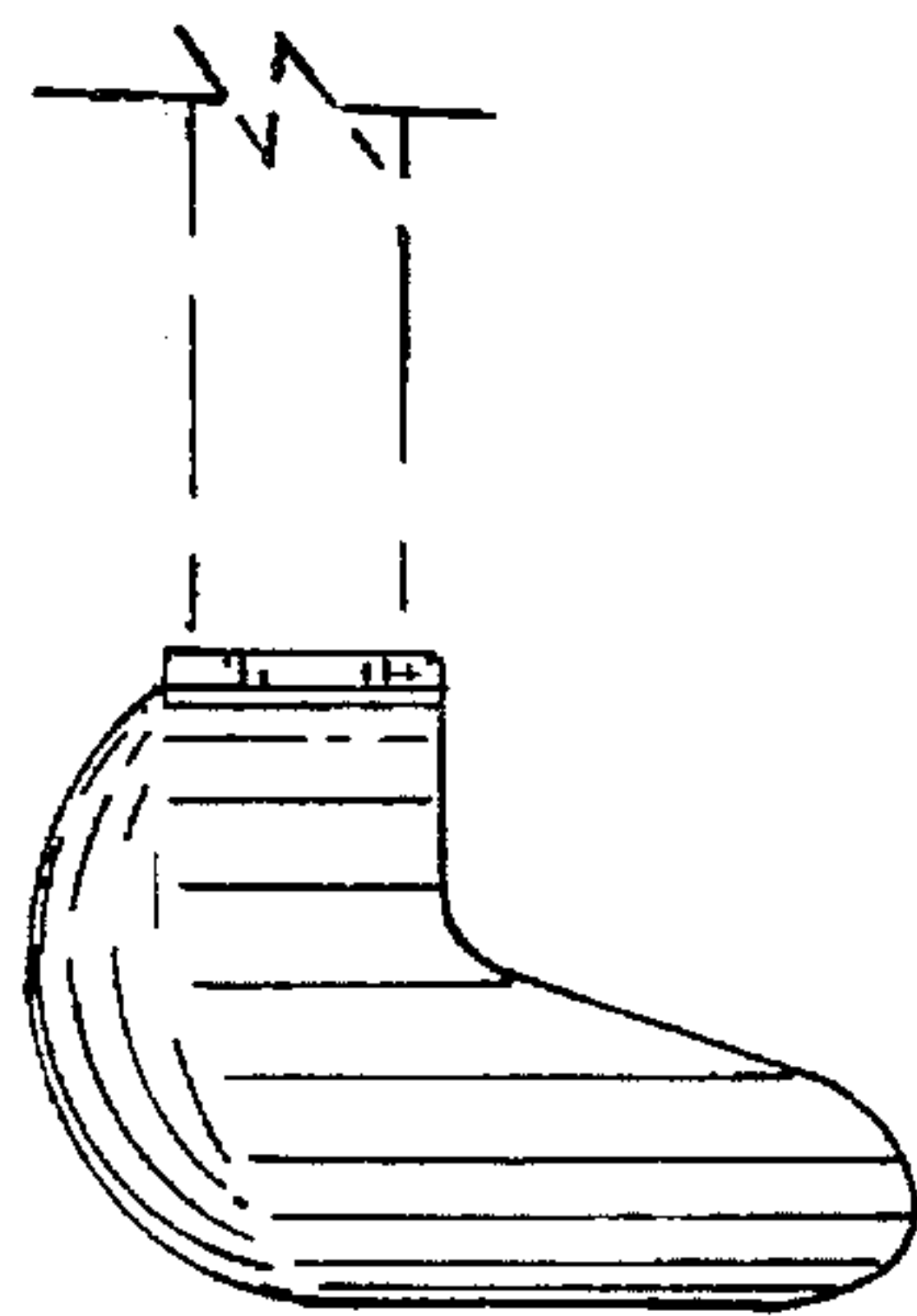


FIG. 3

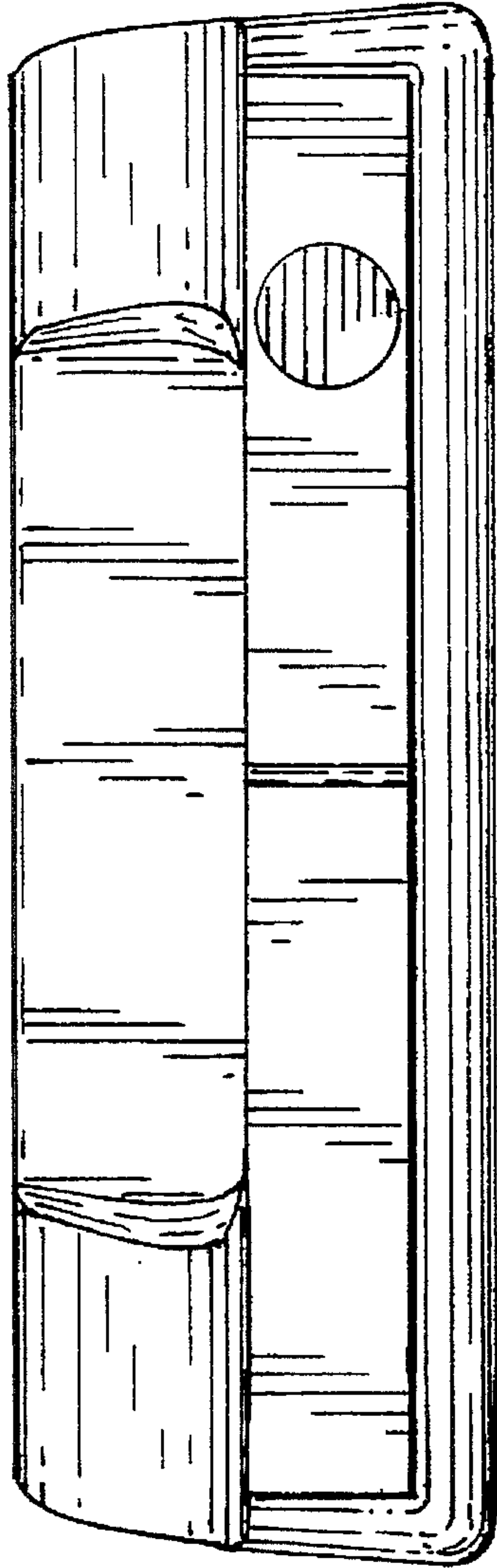


FIG. 4

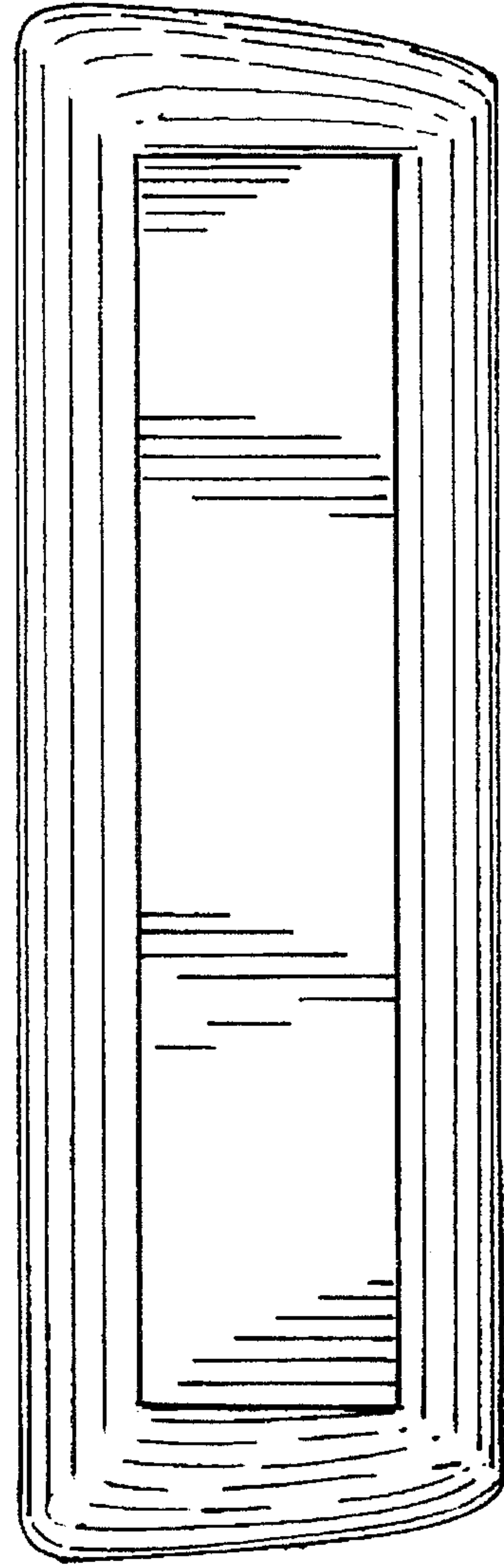


FIG. 5

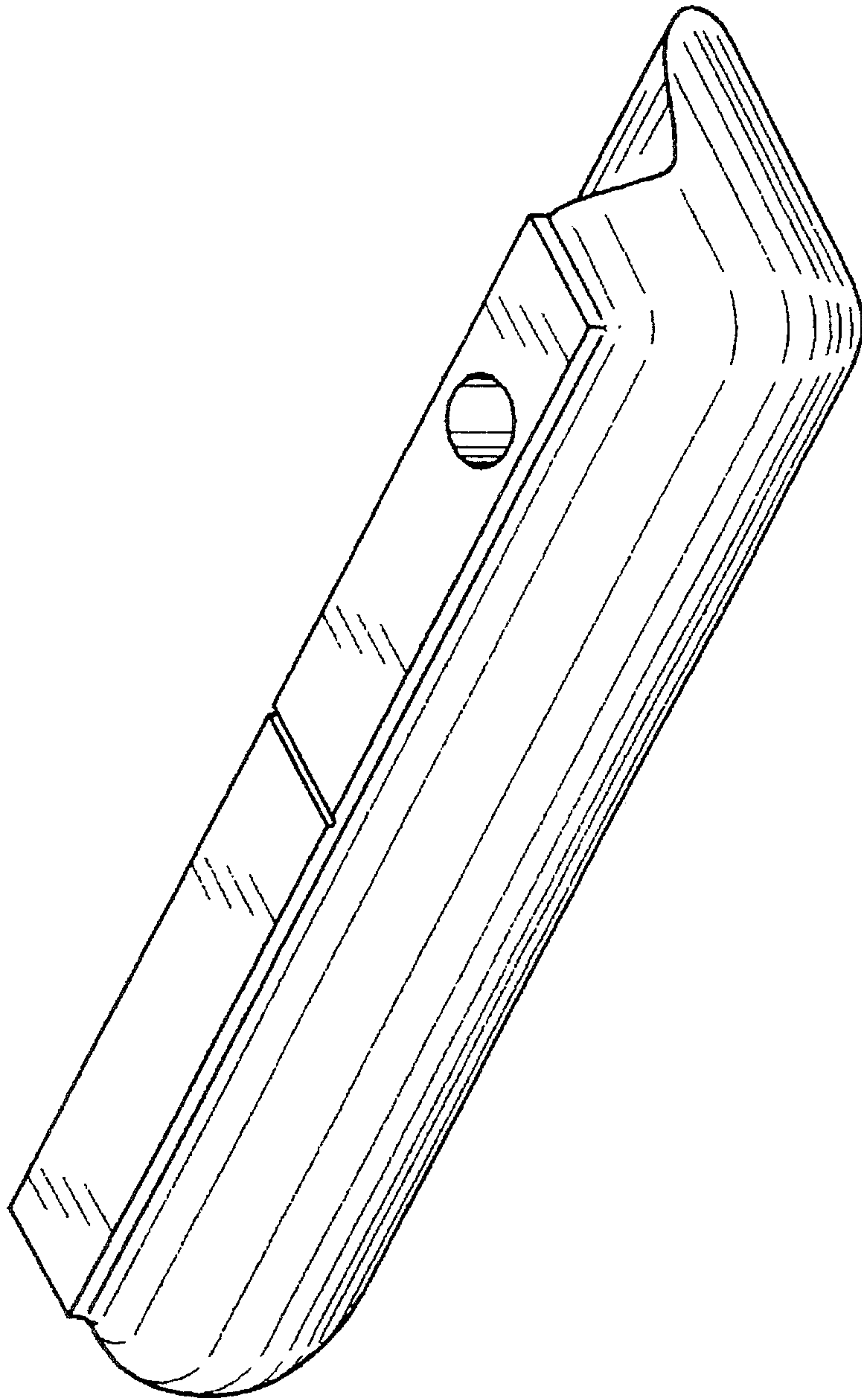


FIG. 6