



US00D378933S

United States Patent [19] Johansson

[11] Patent Number: **Des. 378,933**

[45] Date of Patent: ****Apr. 22, 1997**

[54] **BACK BENCH**

[75] Inventor: **Staffan Johansson**, Eskilstuna, Sweden

[73] Assignee: **Svensk Maskin & Djurexport AB**,
Eskilstuna, Sweden

[**] Term: **14 Years**

[21] Appl. No.: **18,849**

[22] Filed: **Feb. 16, 1994**

[30] **Foreign Application Priority Data**

Feb. 3, 1994 [SE] Sweden 94-0254

[52] U.S. Cl. **D21/191**; D24/183

[58] Field of Search D8/191, 195; D24/183;
D6/361, 382; 482/142, 143, 144, 145

[56] **References Cited**

U.S. PATENT DOCUMENTS

- D. 196,411 9/1963 Larson D24/183
- D. 231,864 6/1974 Berne D24/183
- D. 249,359 9/1978 Stott et al. D24/183
- D. 250,043 10/1978 Shine D24/183

- D. 269,543 6/1983 Walper et al. D21/195
- D. 304,614 11/1989 Guttormsen D24/183
- D. 342,838 1/1994 Peterson D24/183
- D. 347,946 6/1994 Nordstrom et al. D24/183

Primary Examiner—Philip S. Hyder
Attorney, Agent, or Firm—Young & Thompson

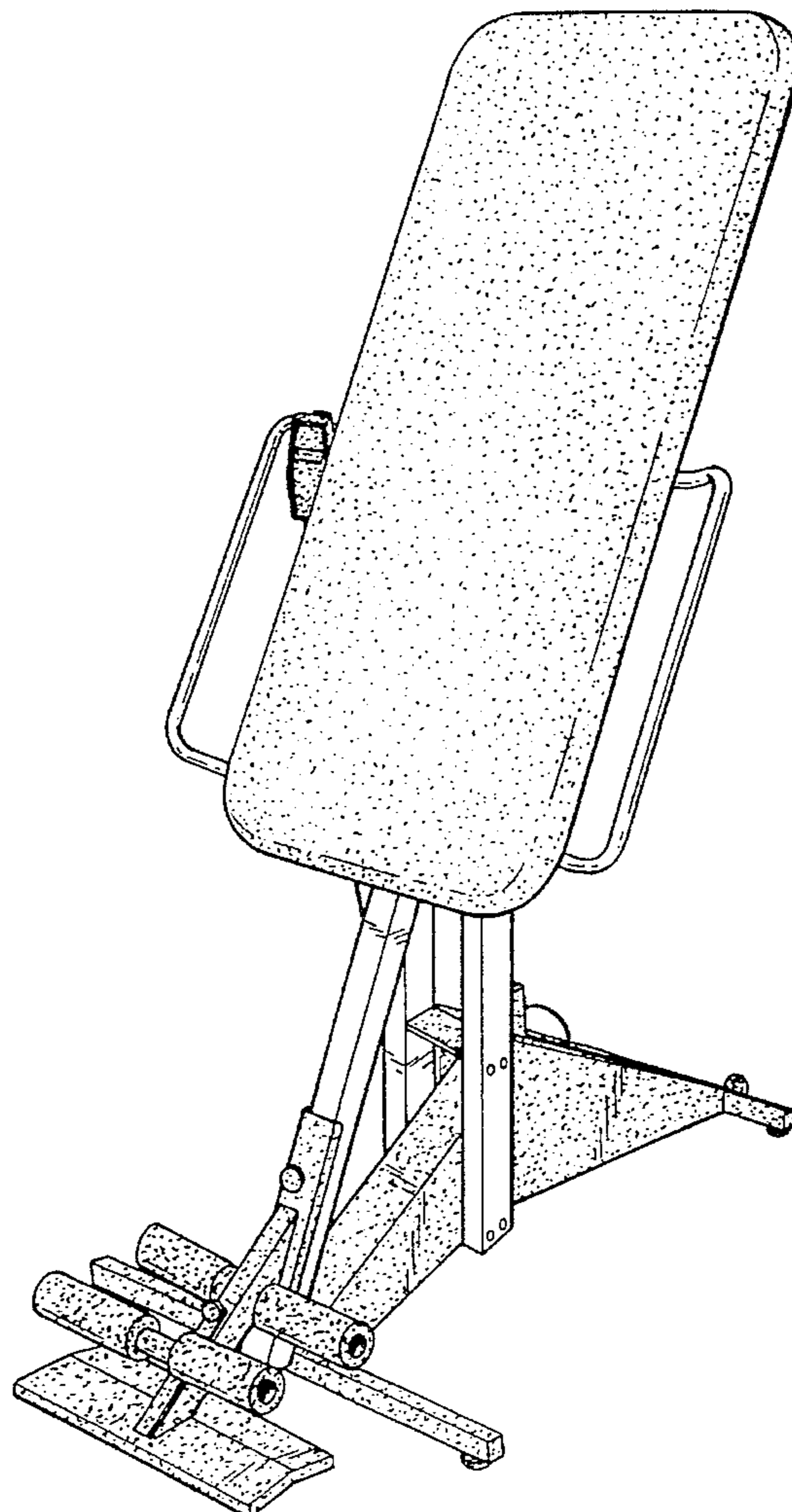
[57] **CLAIM**

The ornamental design for a back bench, as shown.

DESCRIPTION

FIG. 1 is a front perspective view of a back bench showing my new design;
 FIG. 2 is a side perspective view thereof from the left of FIG. 1;
 FIG. 3 is a rear perspective view thereof;
 FIG. 4 is another front perspective view thereof taken at 90° to the view shown in FIG. 1;
 FIG. 5 is a side perspective view thereof showing the side opposite that shown in FIG. 2; and,
 FIG. 6 is a rear perspective view thereof taken at 90° from the view shown in FIG. 3.

1 Claim, 6 Drawing Sheets



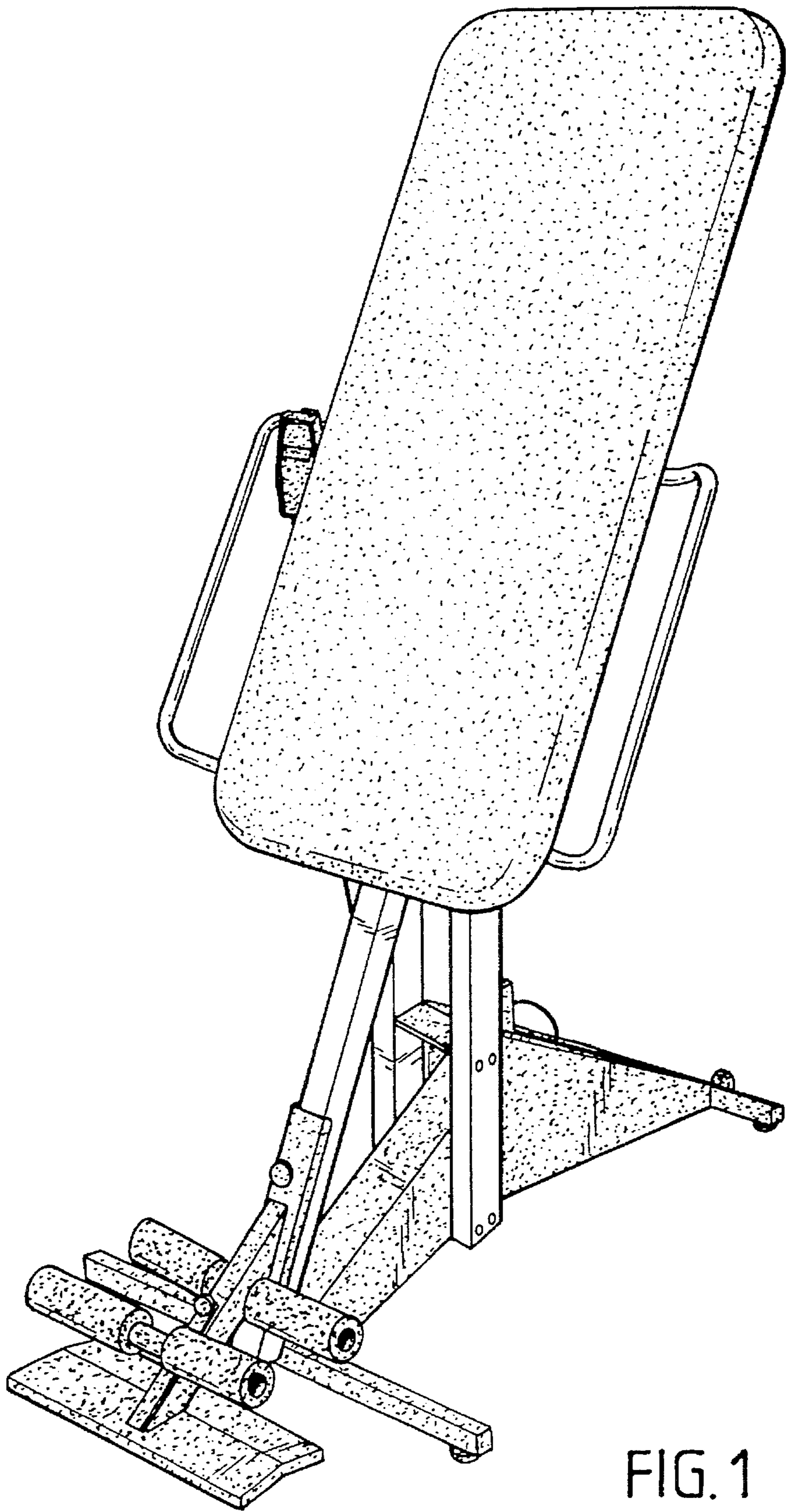


FIG. 1

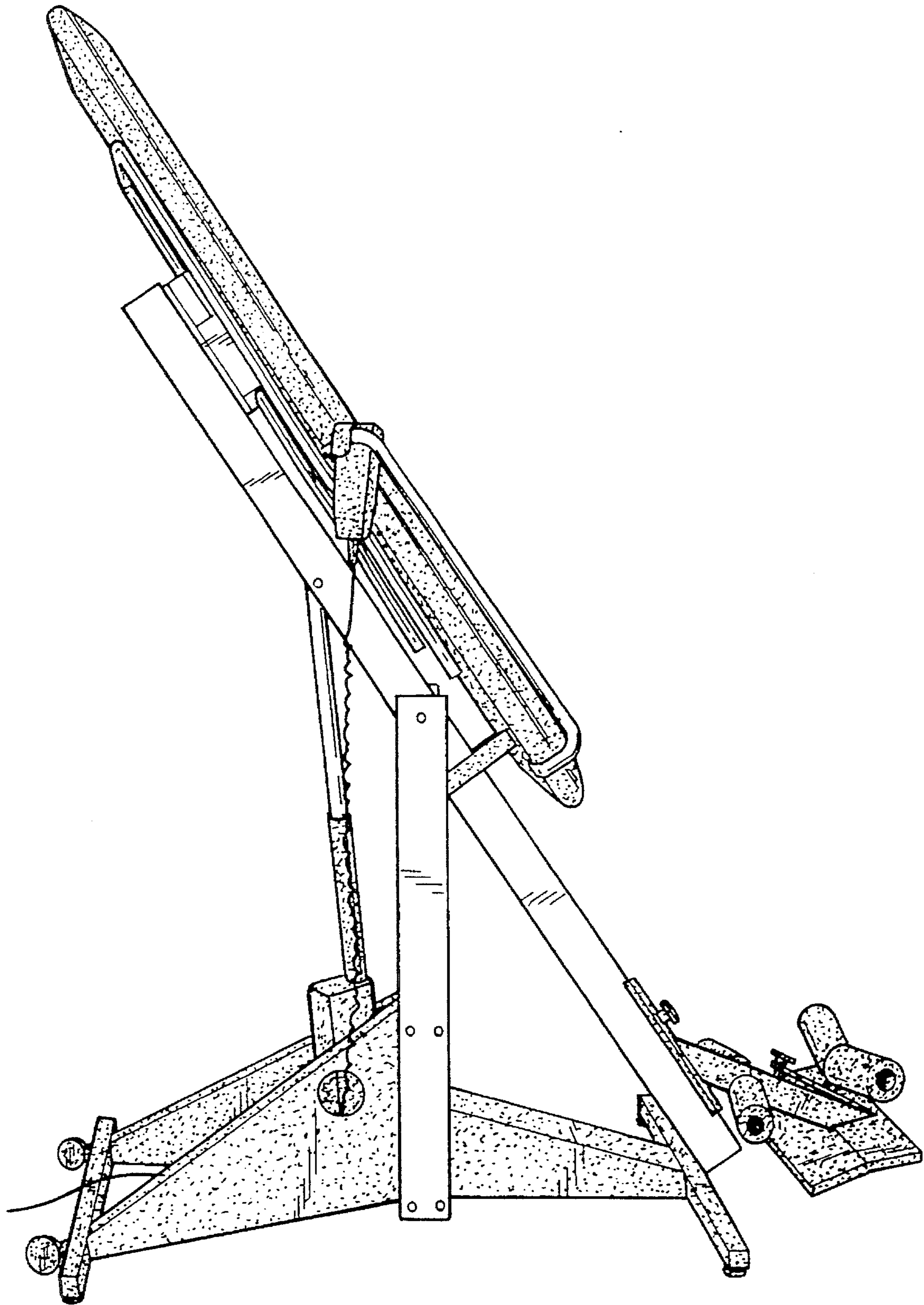


FIG. 2

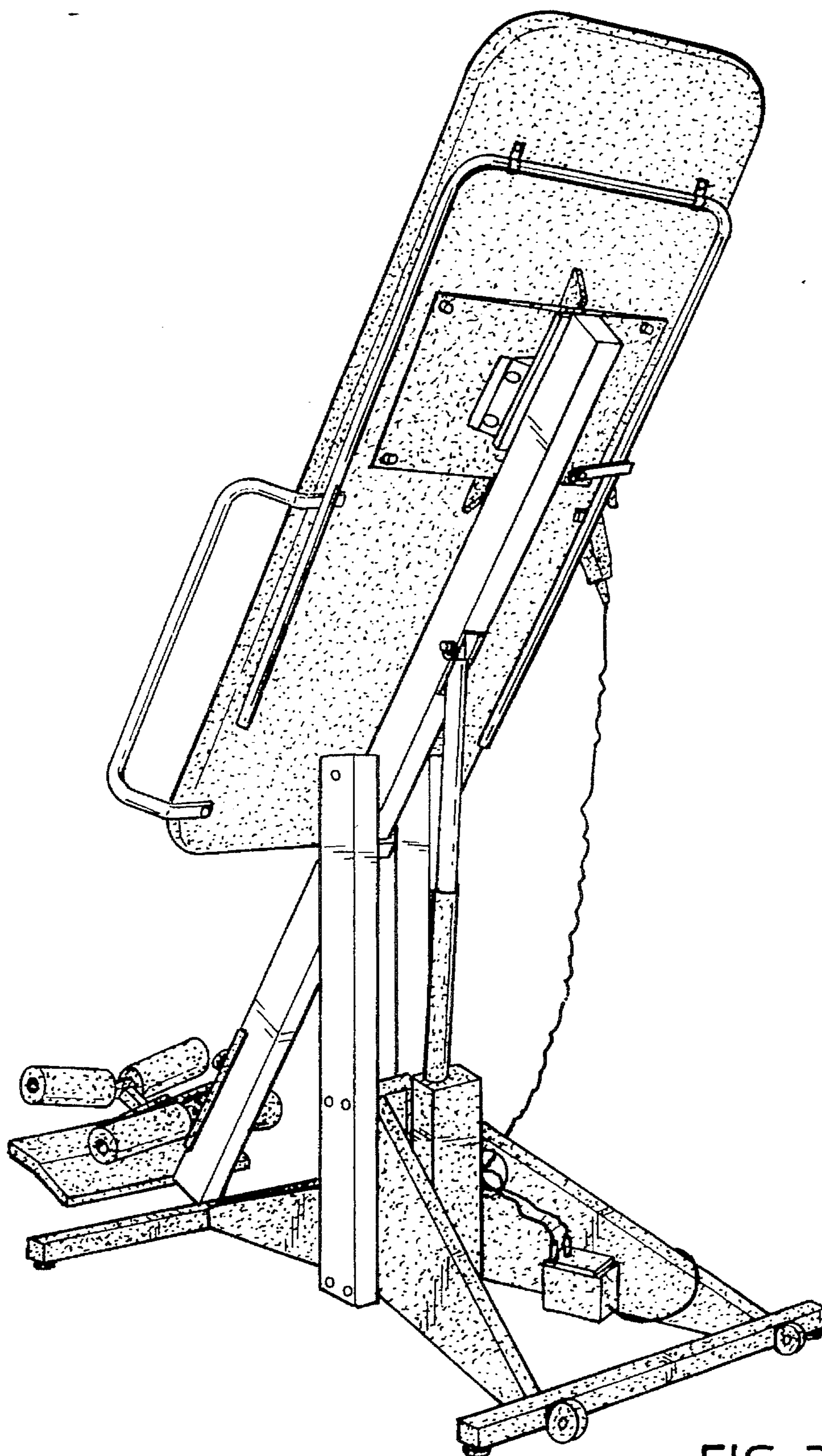


FIG. 3

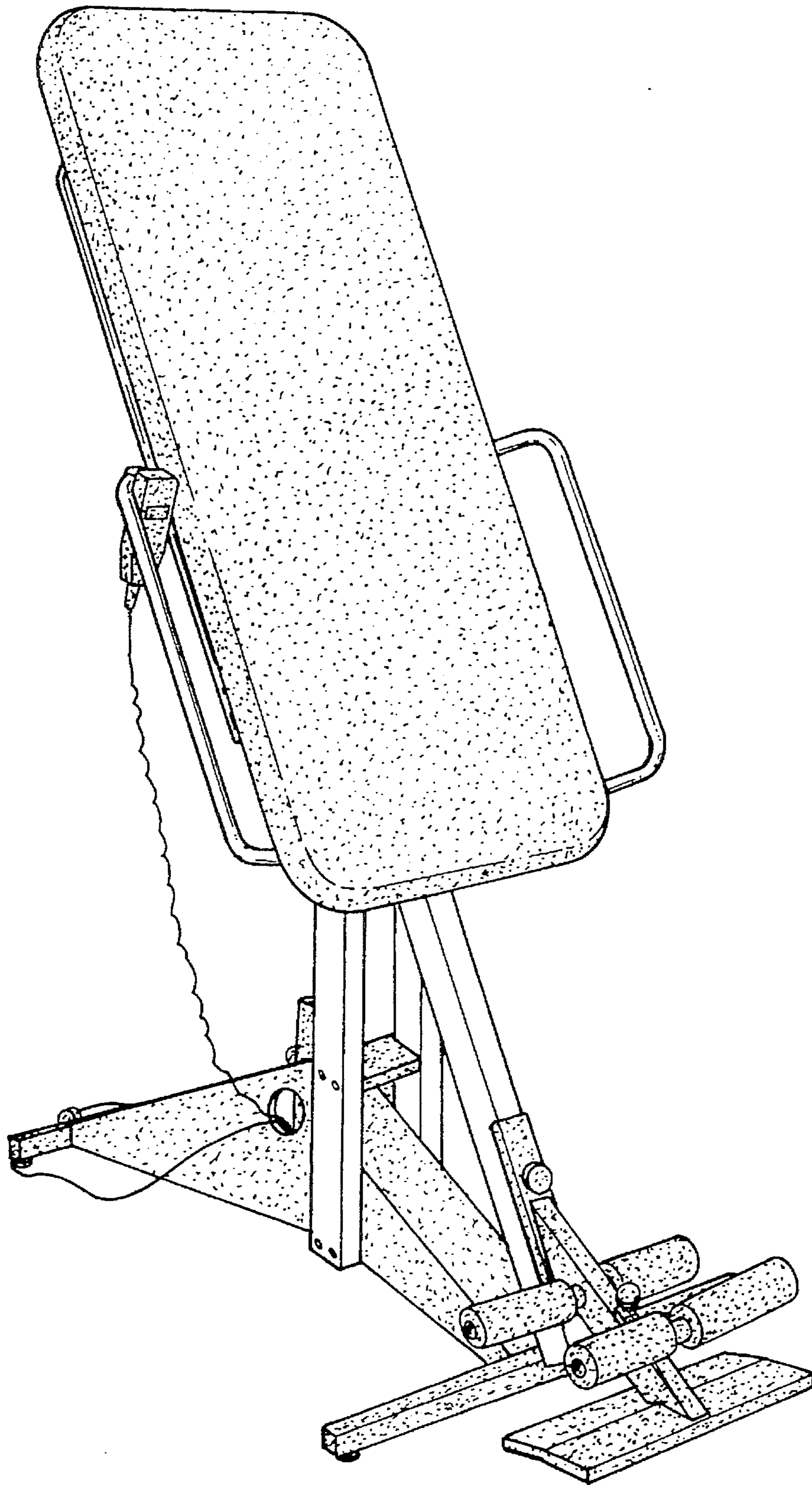


FIG. 4

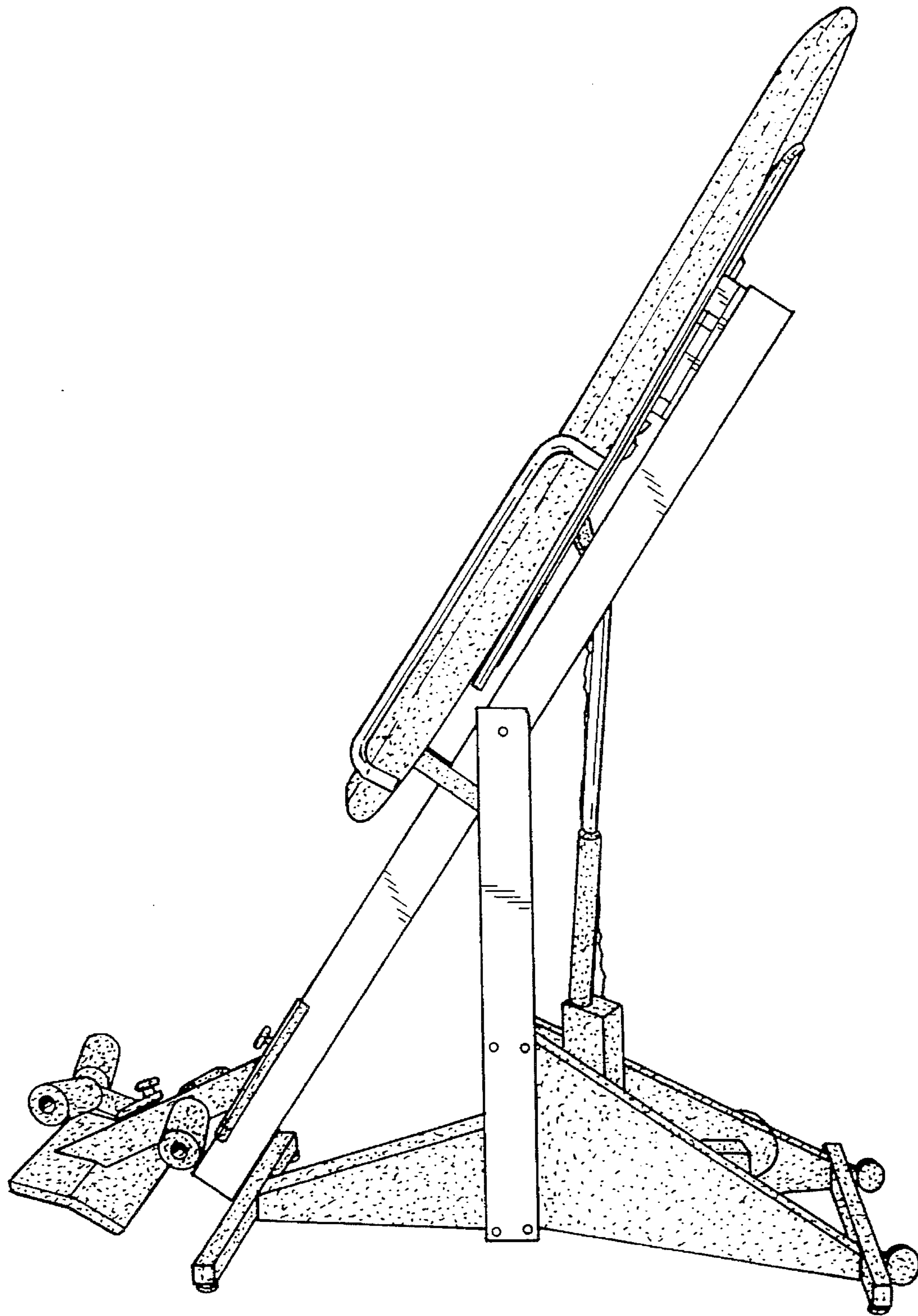


FIG. 5

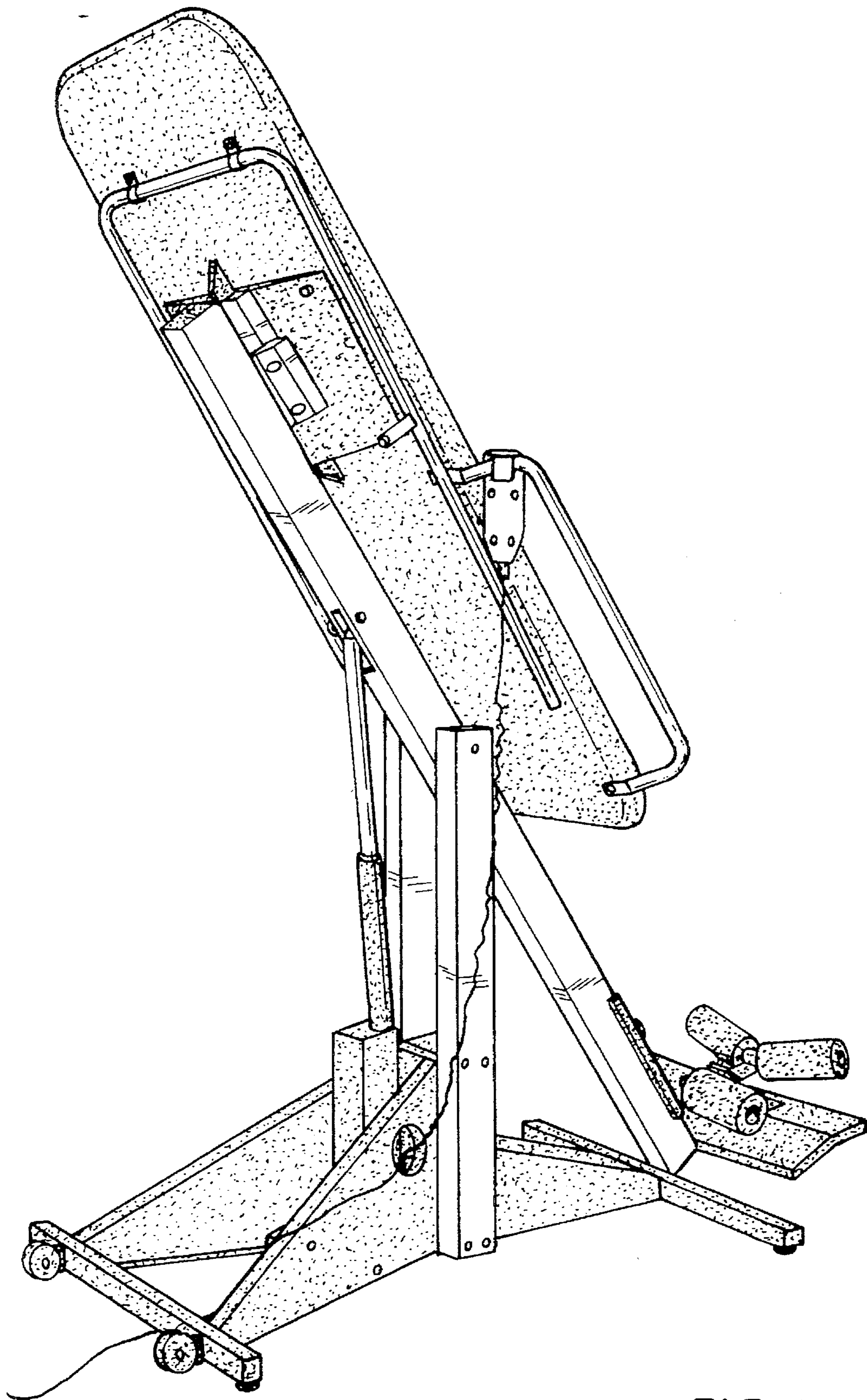


FIG. 6