



US00D378931S

United States Patent [19]

[11] Patent Number: **Des. 378,931**

Couch et al.

[45] Date of Patent: *****Apr. 22, 1997**

[54] **CONTROL PAD WITH CONTROL STICK**

[75] Inventors: **Johnny D. Couch**, San Jose; **Sarah M. Richmond**, Foster City; **Ira L. Velinsky**, Saratoga, all of Calif.; **Stephen K. Guerrera**, Milford, Mass.; **Gregory H. Hunter**, Westwood, Mass.; **John D. Gundlach**, Rowley, Mass.

[73] Assignee: **Sega Enterprises, Ltd.**, Japan

[*] Notice: The portion of the term of this patent subsequent to Apr. 8, 2011, has been disclaimed.

[**] Term: **14 Years**

[21] Appl. No.: **36,221**

[22] Filed: **Mar. 15, 1995**

[52] U.S. Cl. **D21/48**

[58] Field of Search D21/1, 13, 48;
273/148 B, 433-438, DIG. 28; D14/125,
126, 218

[56] **References Cited**

U.S. PATENT DOCUMENTS

- D. 317,153 5/1991 MacKenzie D21/48 X
- D. 345,994 4/1994 Shian D21/48
- D. 351,625 10/1994 Carter et al. D21/48

- D. 352,331 11/1994 Wu D21/48
- 4,509,383 4/1985 Yeh 273/438 X
- 4,688,443 8/1987 Fabre et al. 273/DIG. 28 X
- 5,114,157 5/1992 Kita 273/148 B X
- 5,375,831 12/1994 Hsien-Chung 273/148 B

OTHER PUBLICATIONS

- Merchandising, Mar. 1983, p. 53.
- Vending Times, Jul. 1982, p. 40.
- Hong Kong Electronics, 1985, p. 175.

Primary Examiner—Prabhakar G. Deshmukh
Attorney, Agent, or Firm—Skjerven, Morrill, MacPherson, Franklin & Friel; David W. Heid

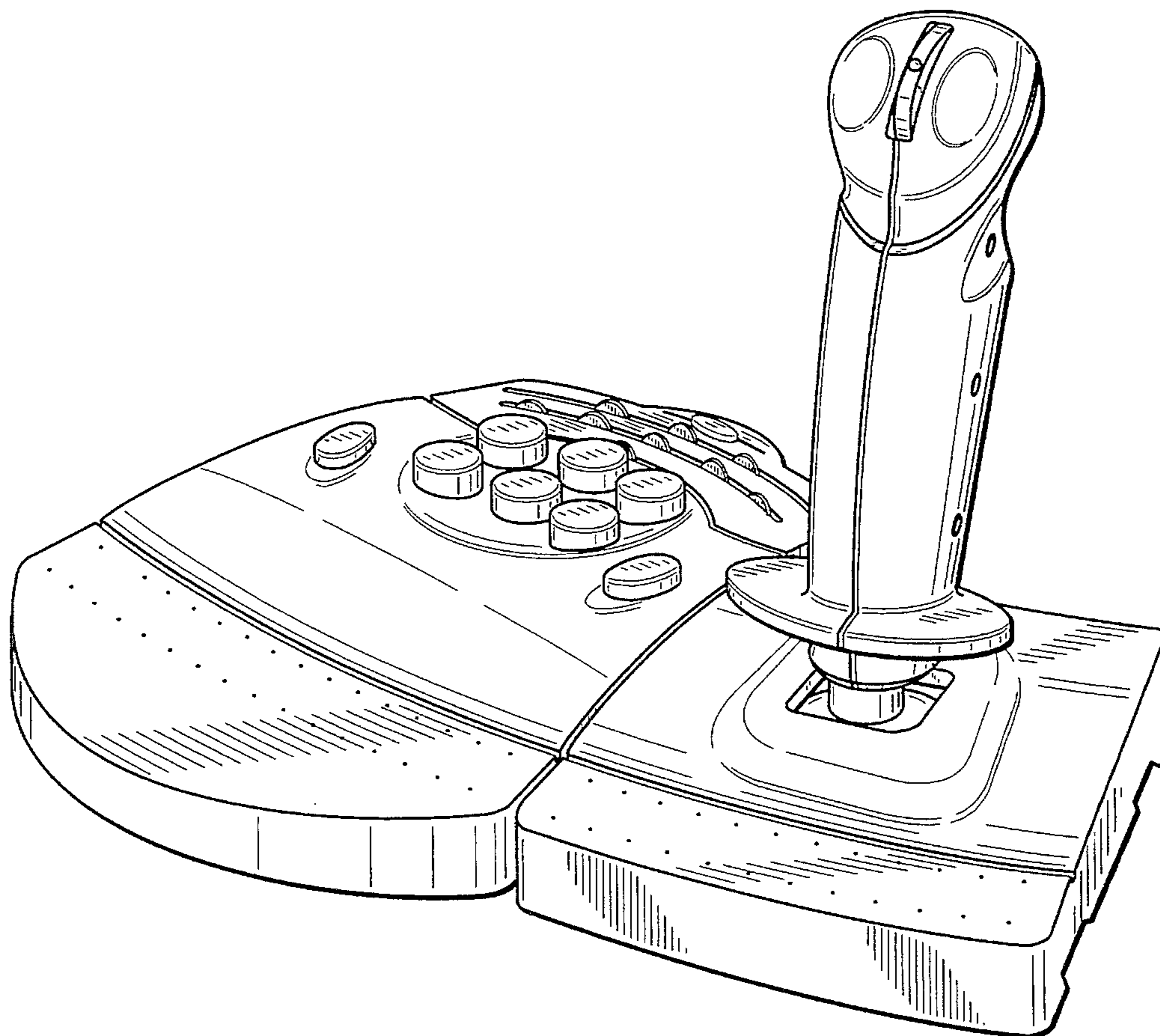
[57] **CLAIM**

The ornamental design for a control pad with control stick, as shown and described.

DESCRIPTION

FIG. 1 is a perspective front elevation view of a control pad with control stick;
FIG. 2 is a top plan view thereof;
FIG. 3 is a bottom plan view thereof;
FIG. 4 is a front elevation view thereof;
FIG. 5 is a rear elevation view thereof;
FIG. 6 is a right side elevational view thereof; and,
FIG. 7 is a left side elevational view thereof.

1 Claim, 7 Drawing Sheets



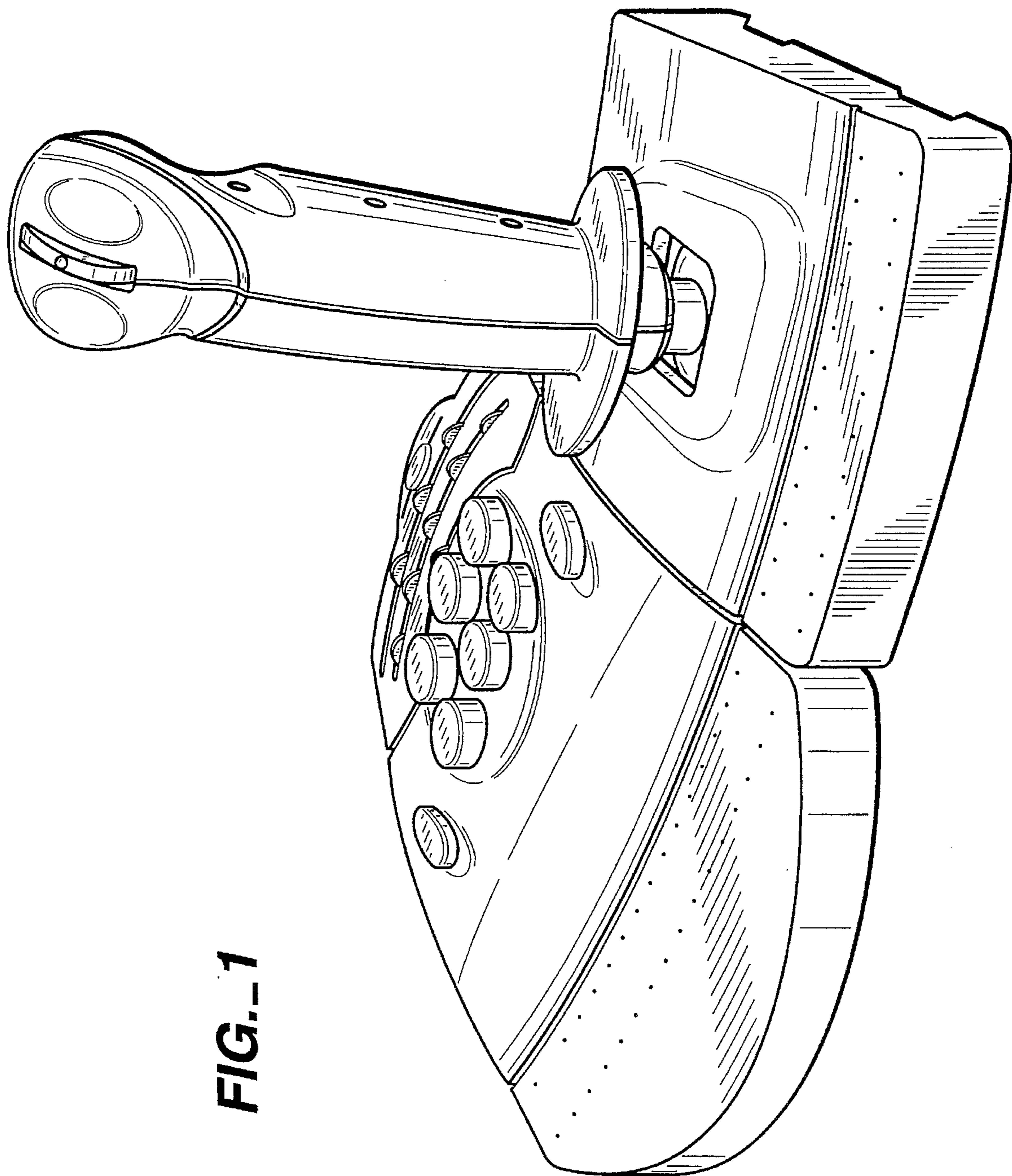


FIG.-1

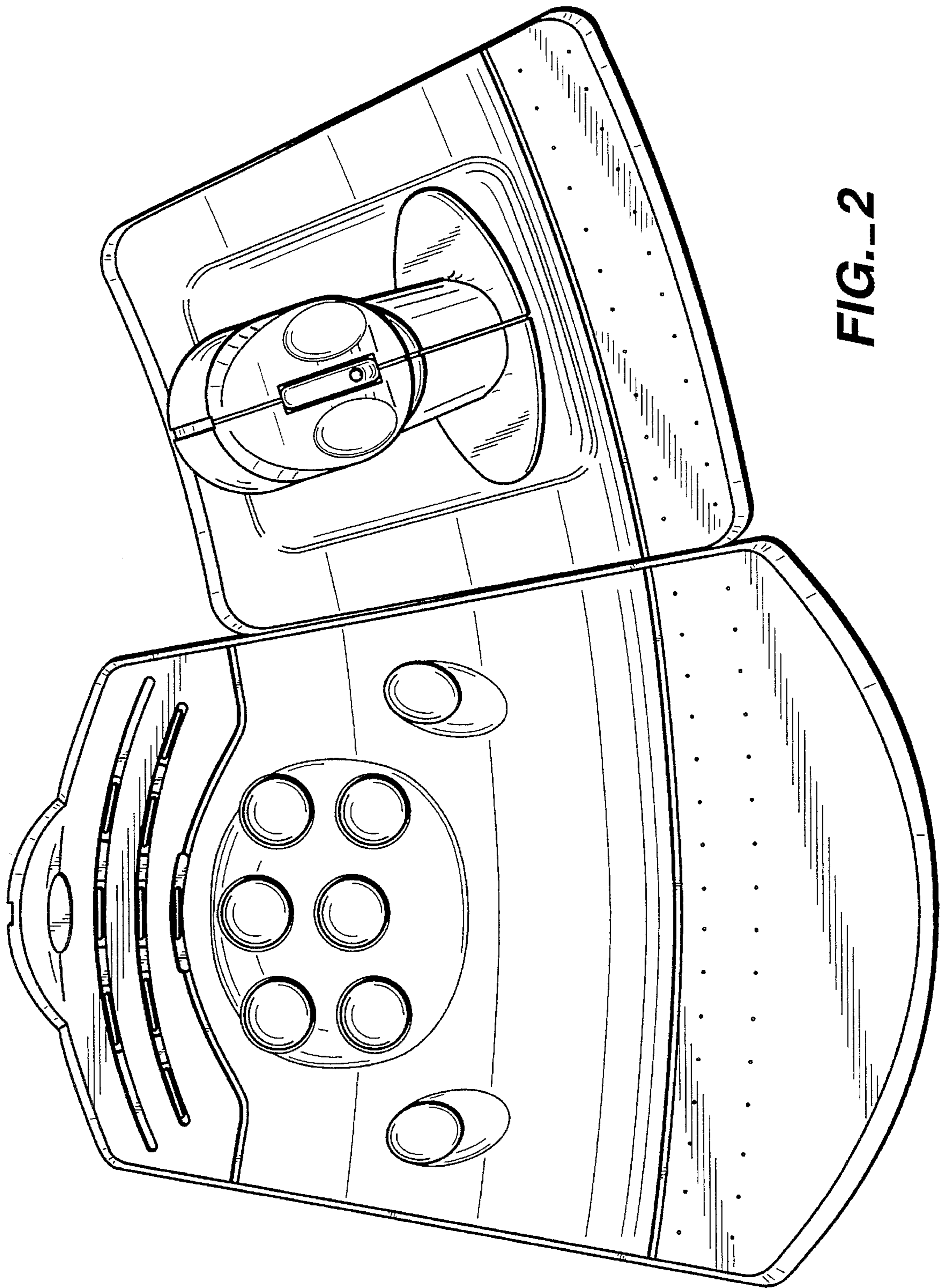


FIG.-2

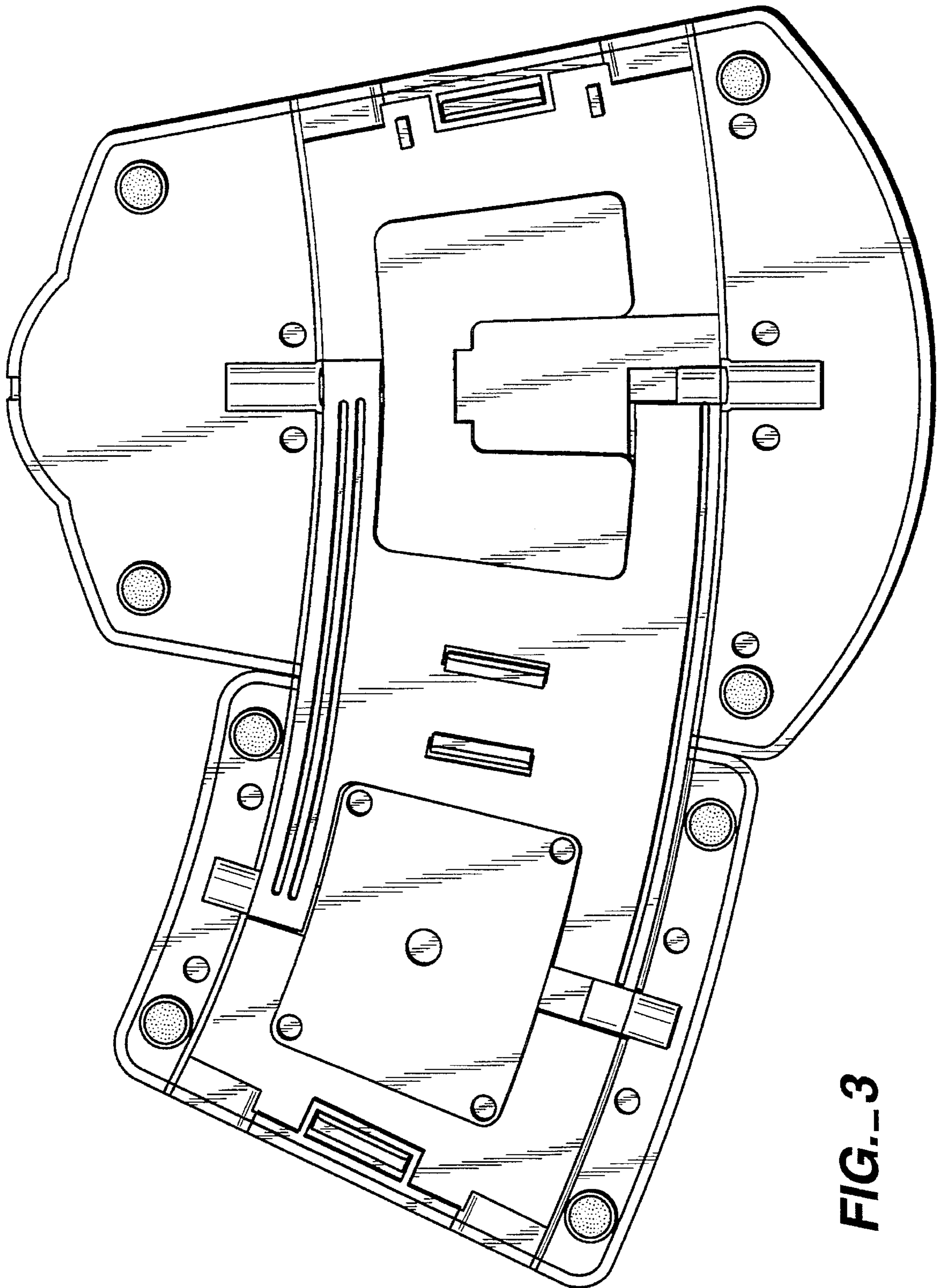


FIG.-3

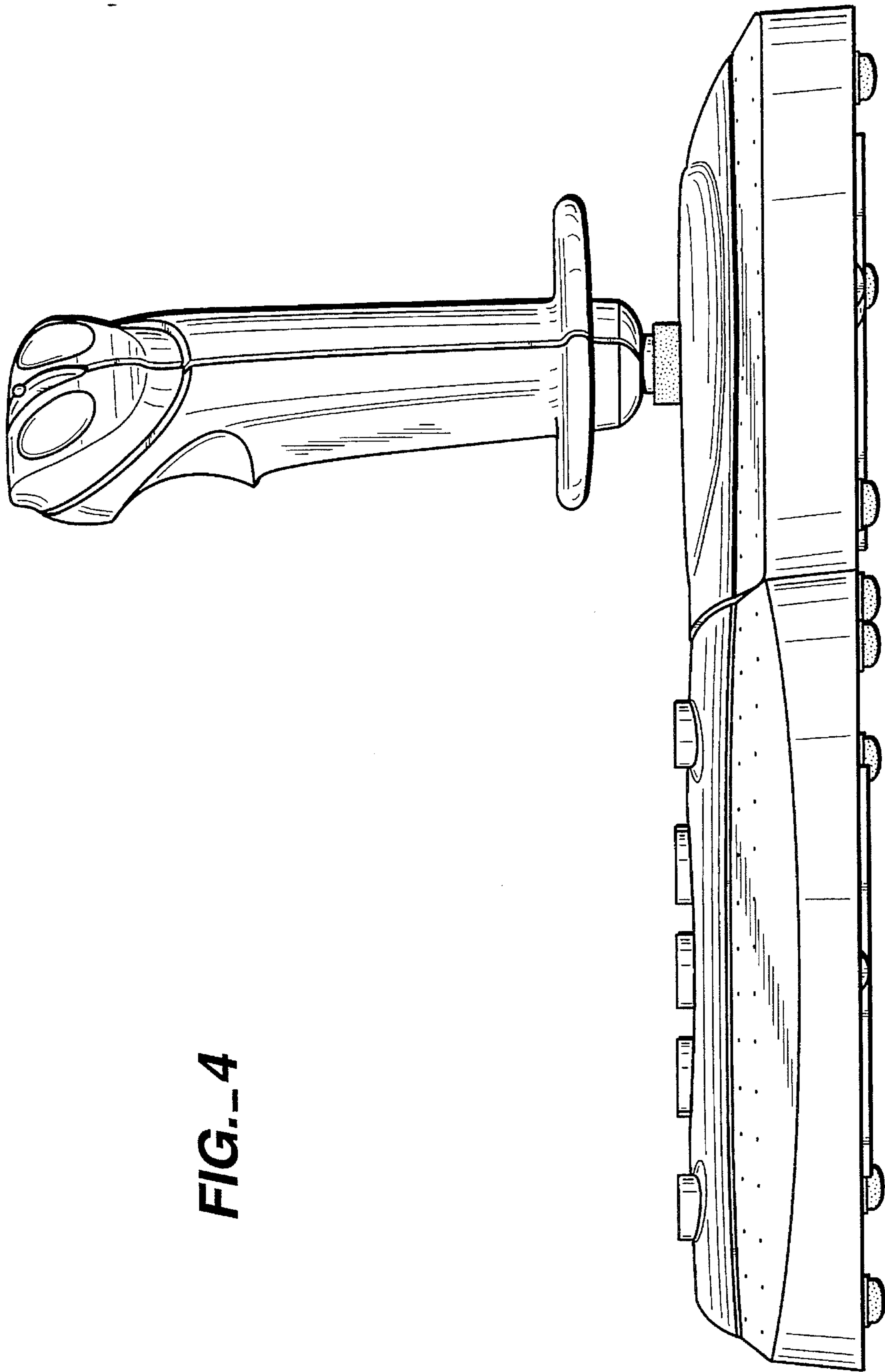
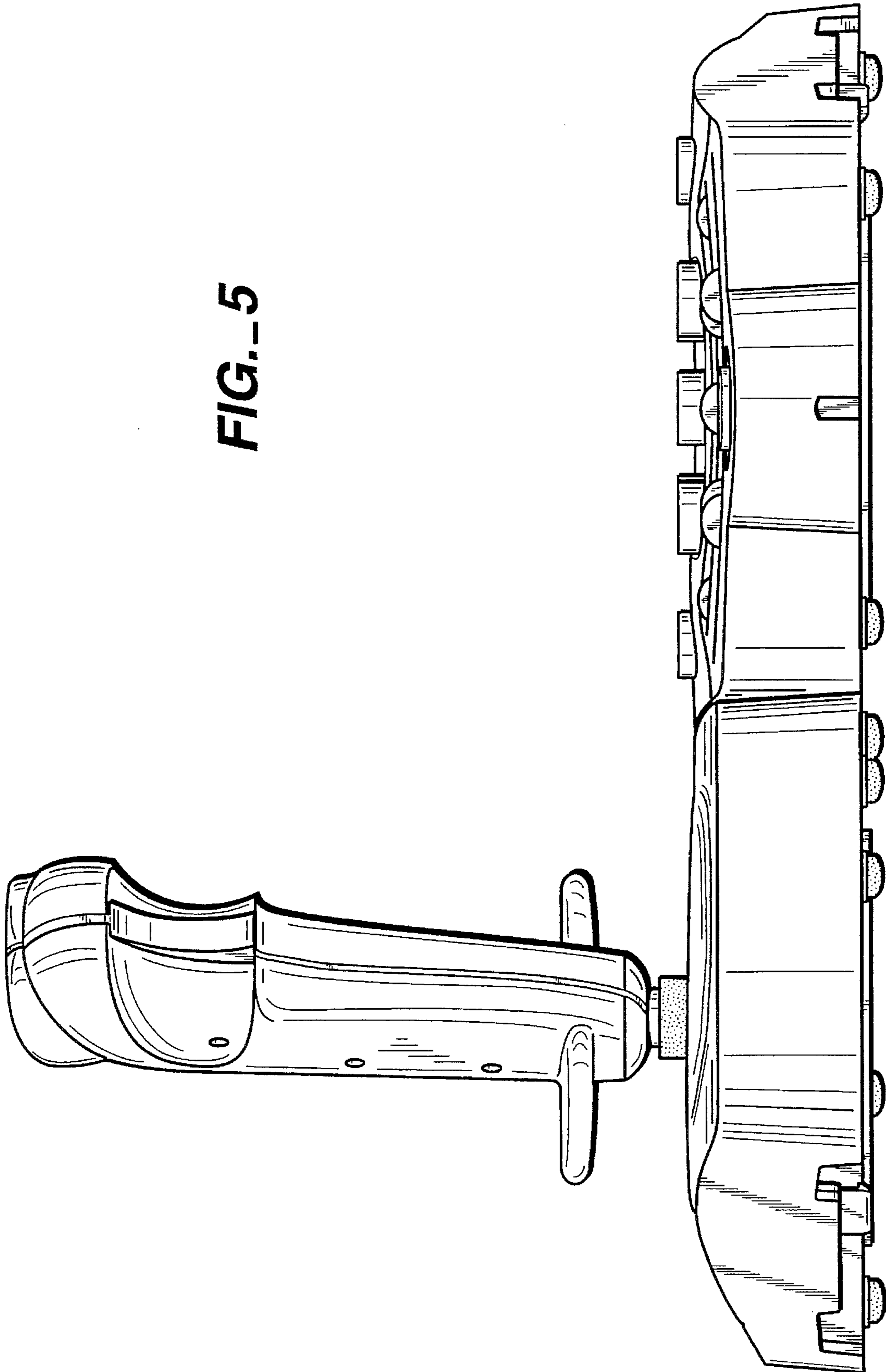


FIG. 4

FIG. 5



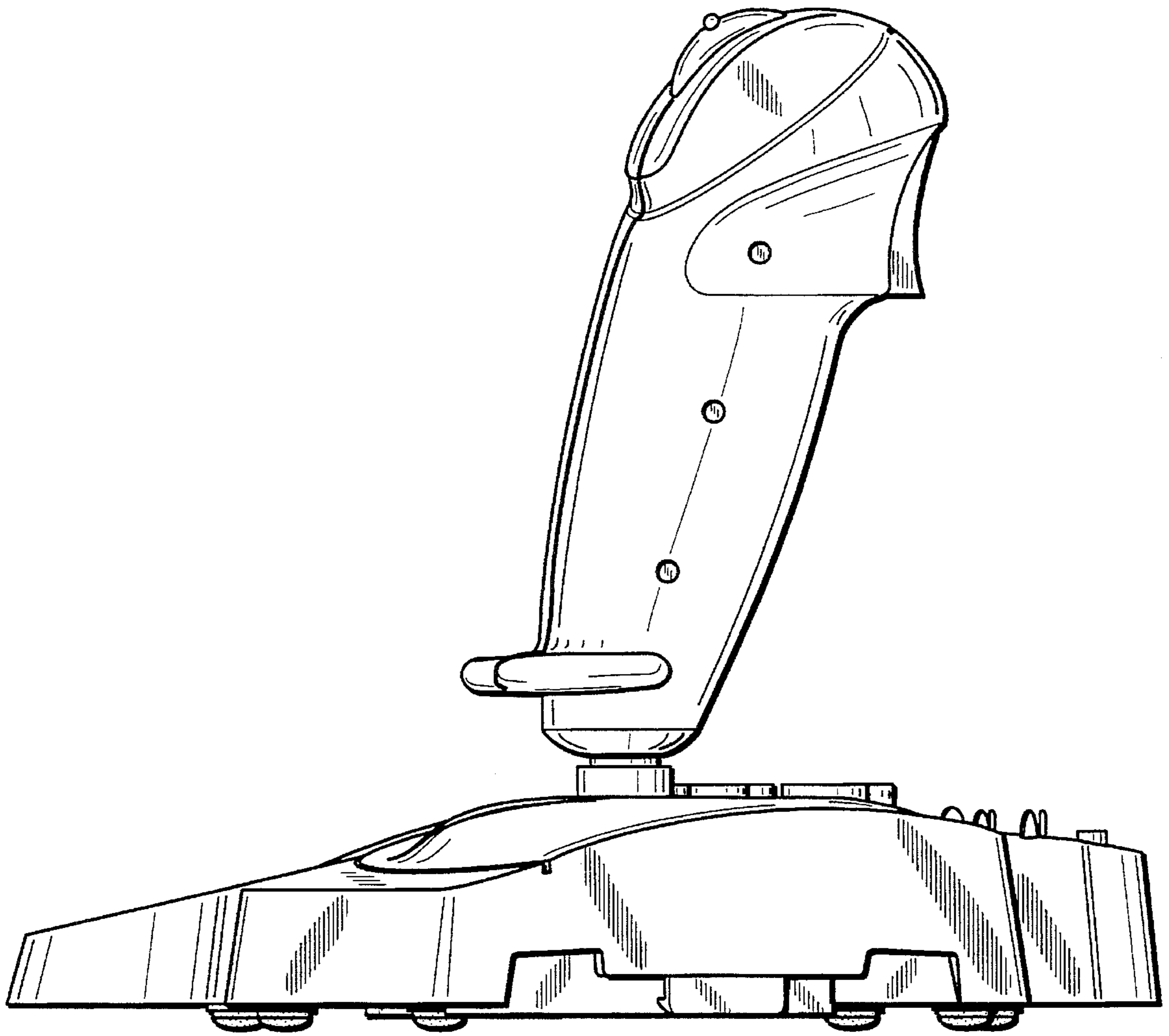


FIG._6

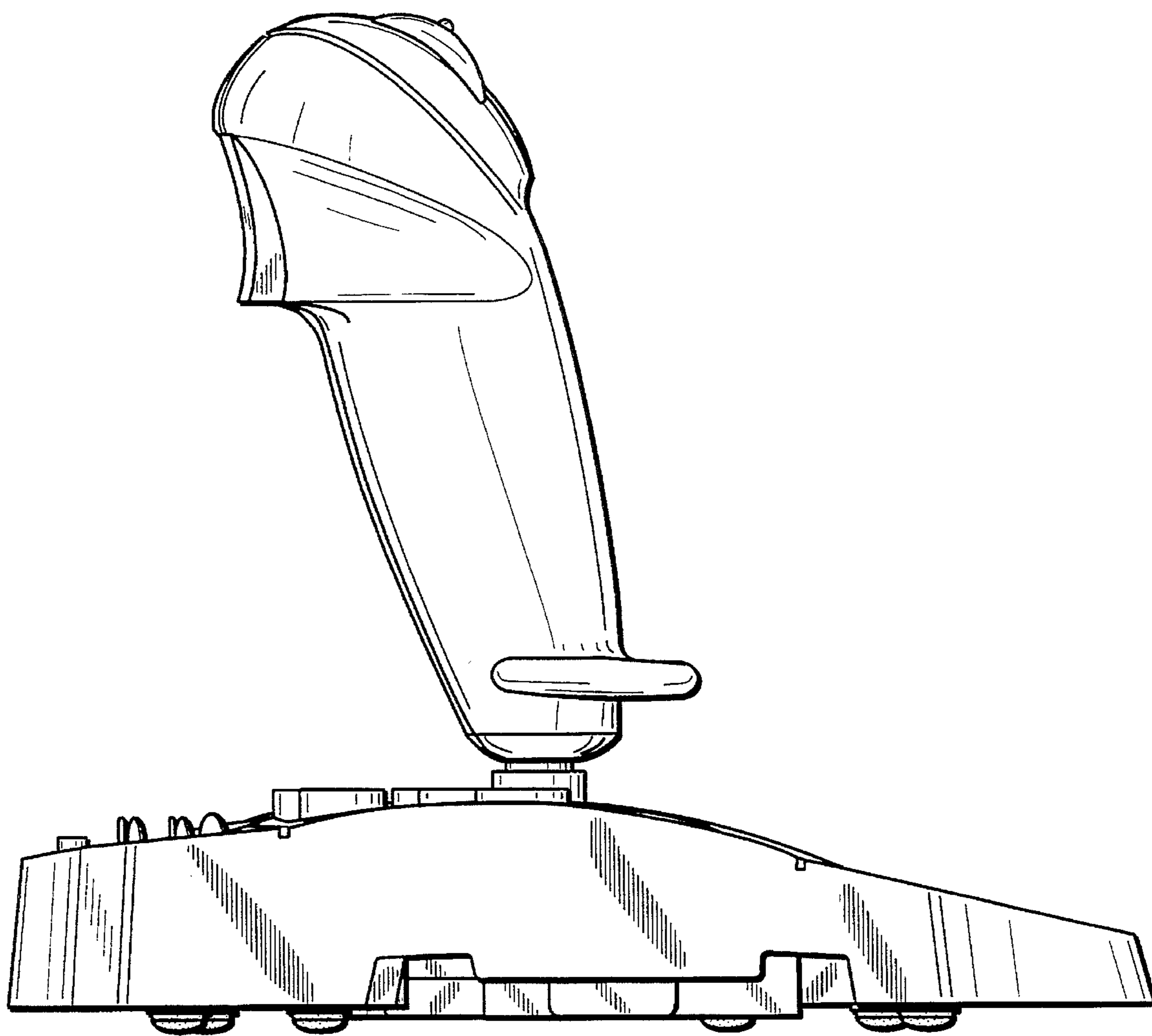


FIG. 7