



US00D378927S

United States Patent [19]

Kasahara et al.

[11] Patent Number: **Des. 378,927**

[45] Date of Patent: ****Apr. 22, 1997**

[54] COMPUTER OUTPUT PRINTER

[75] Inventors: **Yoshihiro Kasahara; Masami Goto; Wataru Senoo; Tetsuya Nagata**, all of Tokyo, Japan

[73] Assignee: **NEC Corporation**, Tokyo, Japan

[**] Term: **14 Years**

[21] Appl. No.: **36,658**

[22] Filed: **Mar. 24, 1995**

[30] Foreign Application Priority Data

Sep. 26, 1994 [JP] Japan 6-29047

[52] U.S. Cl. **D18/50; D18/55**

[58] Field of Search D18/50, 54, 55; 400/691-694, 690.1-690.4, 613, 613.1-613.4

[56] References Cited

U.S. PATENT DOCUMENTS

D. 333,835	3/1993	Israely et al.	D18/55
D. 340,470	10/1993	Tsutsui	D18/55
3,375,781	4/1968	Grimm et al.	D18/50
4,806,036	2/1989	Ward et al.	400/691

OTHER PUBLICATIONS

Daisywriter© brochure; Sep. 1983; Daisywriter One 2000 Printer & Sheet Feeder.

Primary Examiner—Cathy Anne MacCormac
Attorney, Agent, or Firm—Sughrue, Mion, Zinn, Macpeak & Seas

[57] CLAIM

The ornamental design for a computer output printer, as shown.

DESCRIPTION

FIG. 1 is a perspective view of the top, front and right side of a computer output printer showing our new design;

FIG. 2 is a front elevational view thereof;

FIG. 3 is a rear elevational view thereof;

FIG. 4 is a top plan view thereof;

FIG. 5 is a left side elevational view thereof;

FIG. 6 is a right elevational view thereof; and,

FIG. 7 is a bottom plan view thereof.

1 Claim, 3 Drawing Sheets

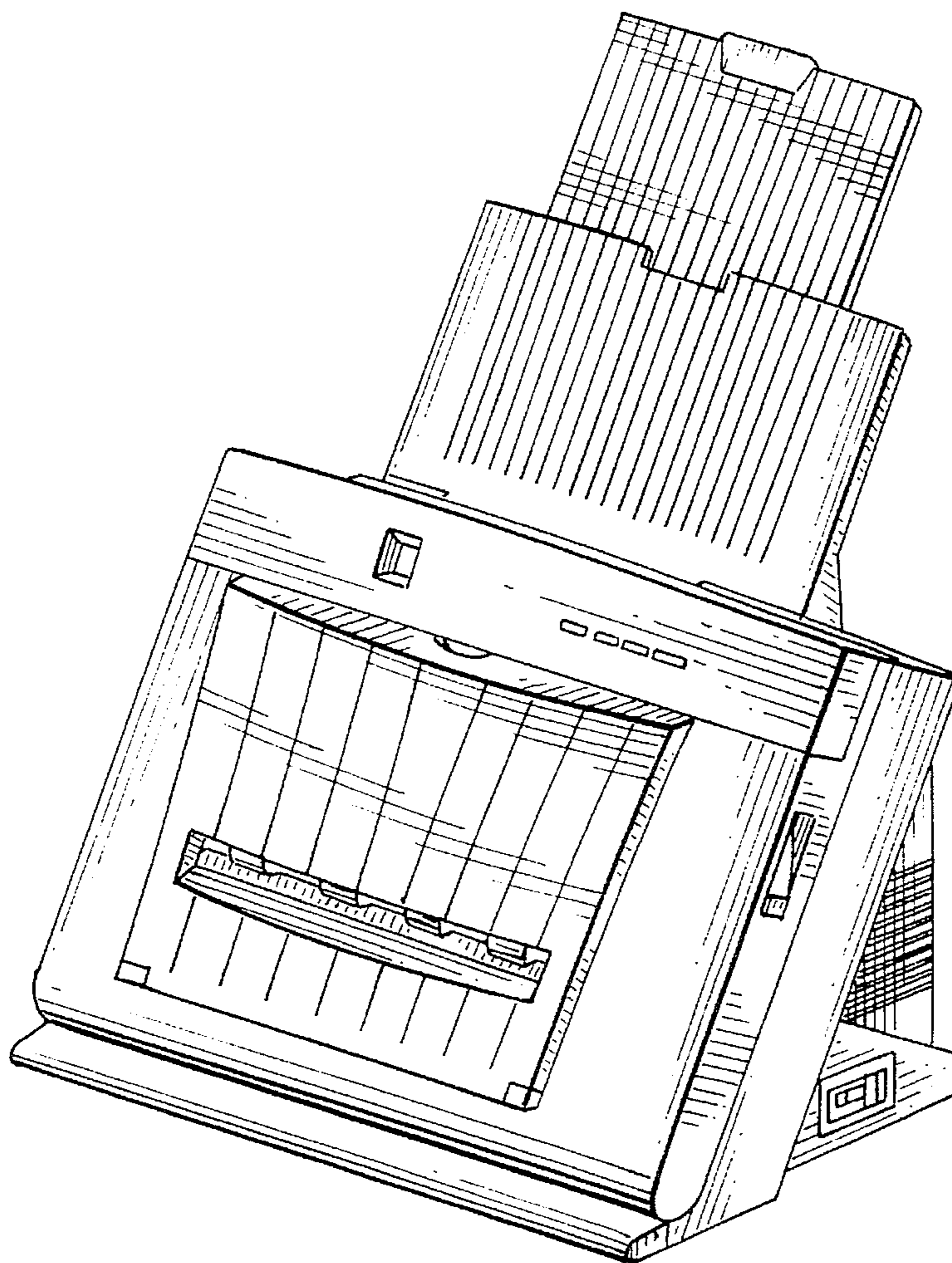


FIG. 1

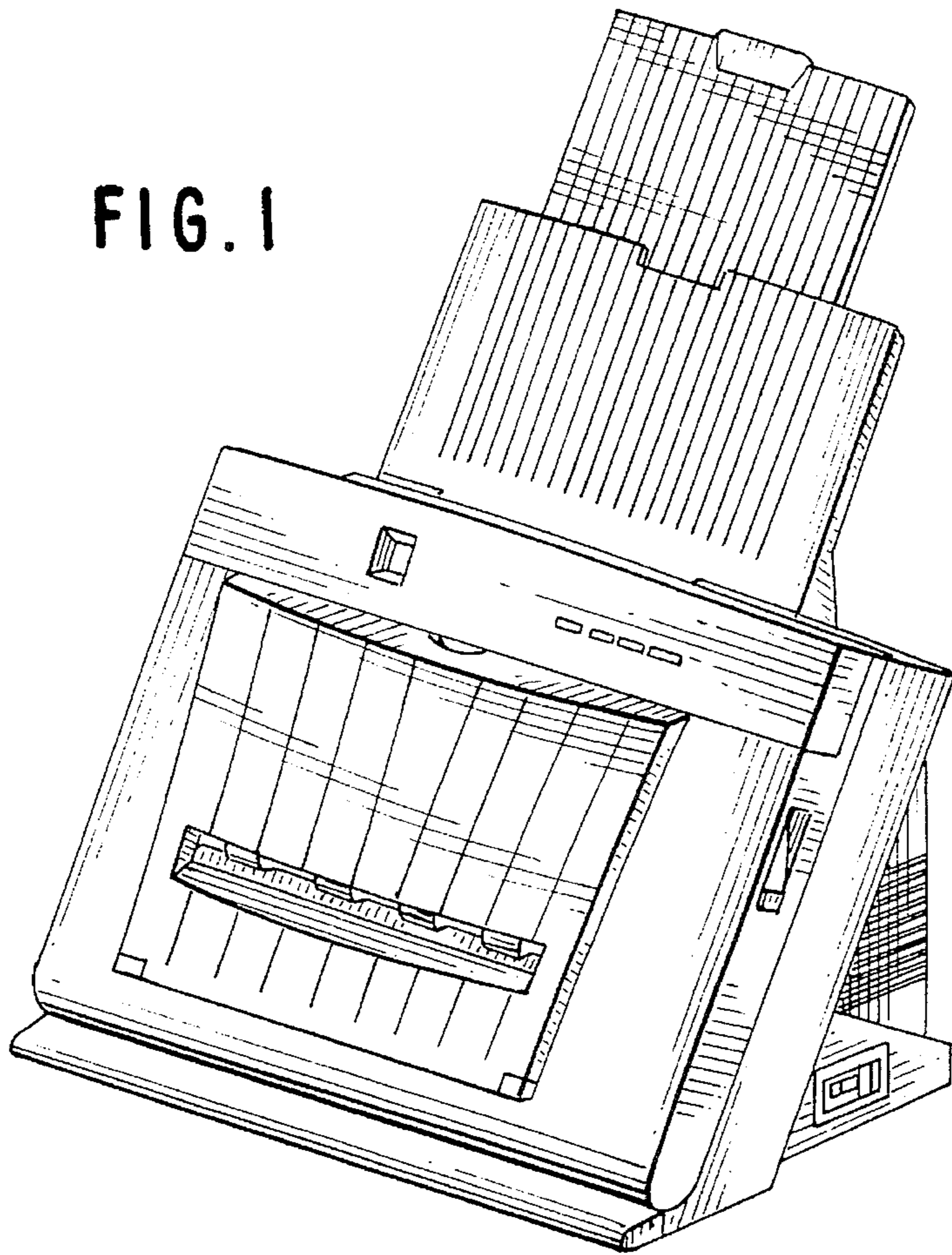


FIG. 2

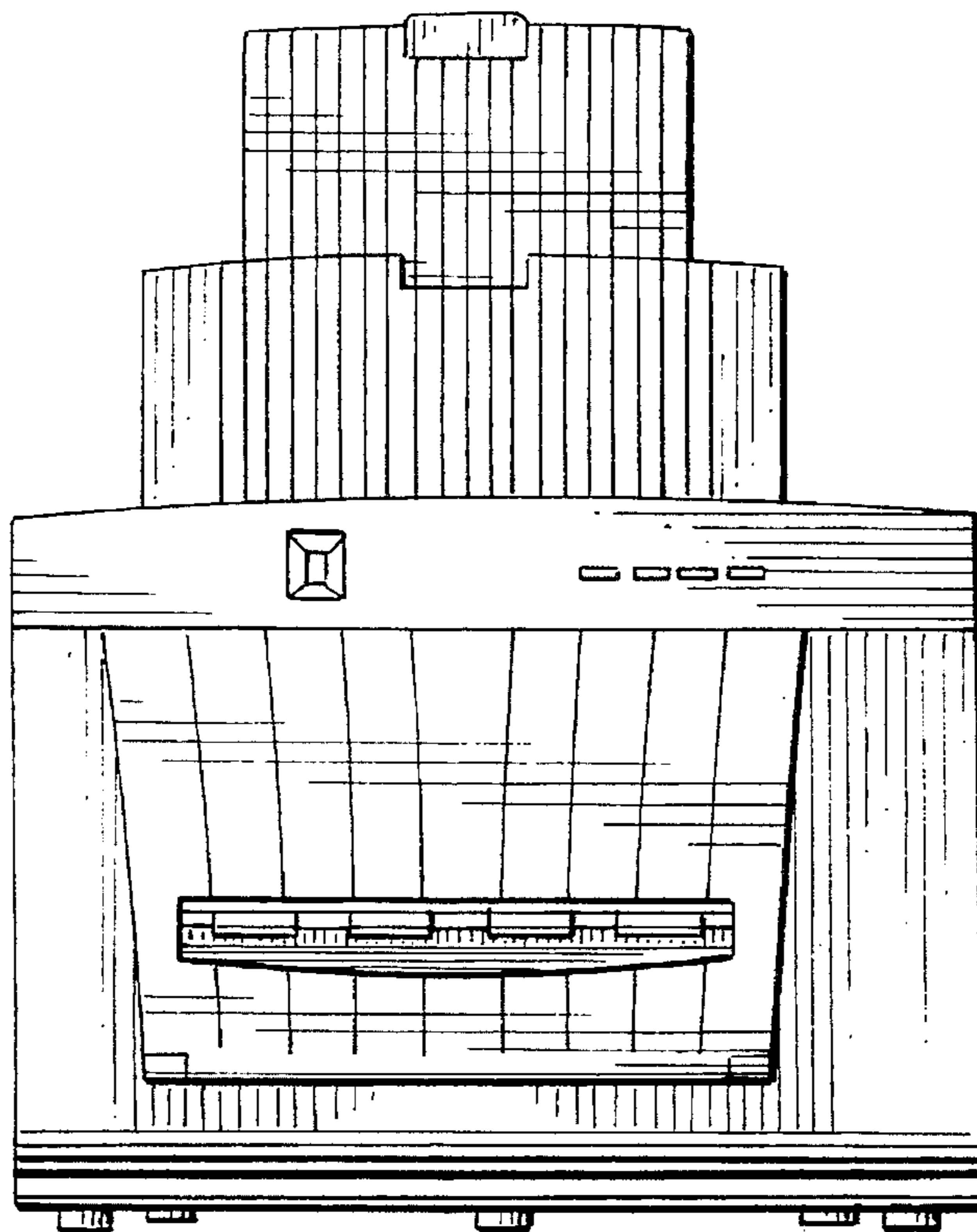


FIG. 3

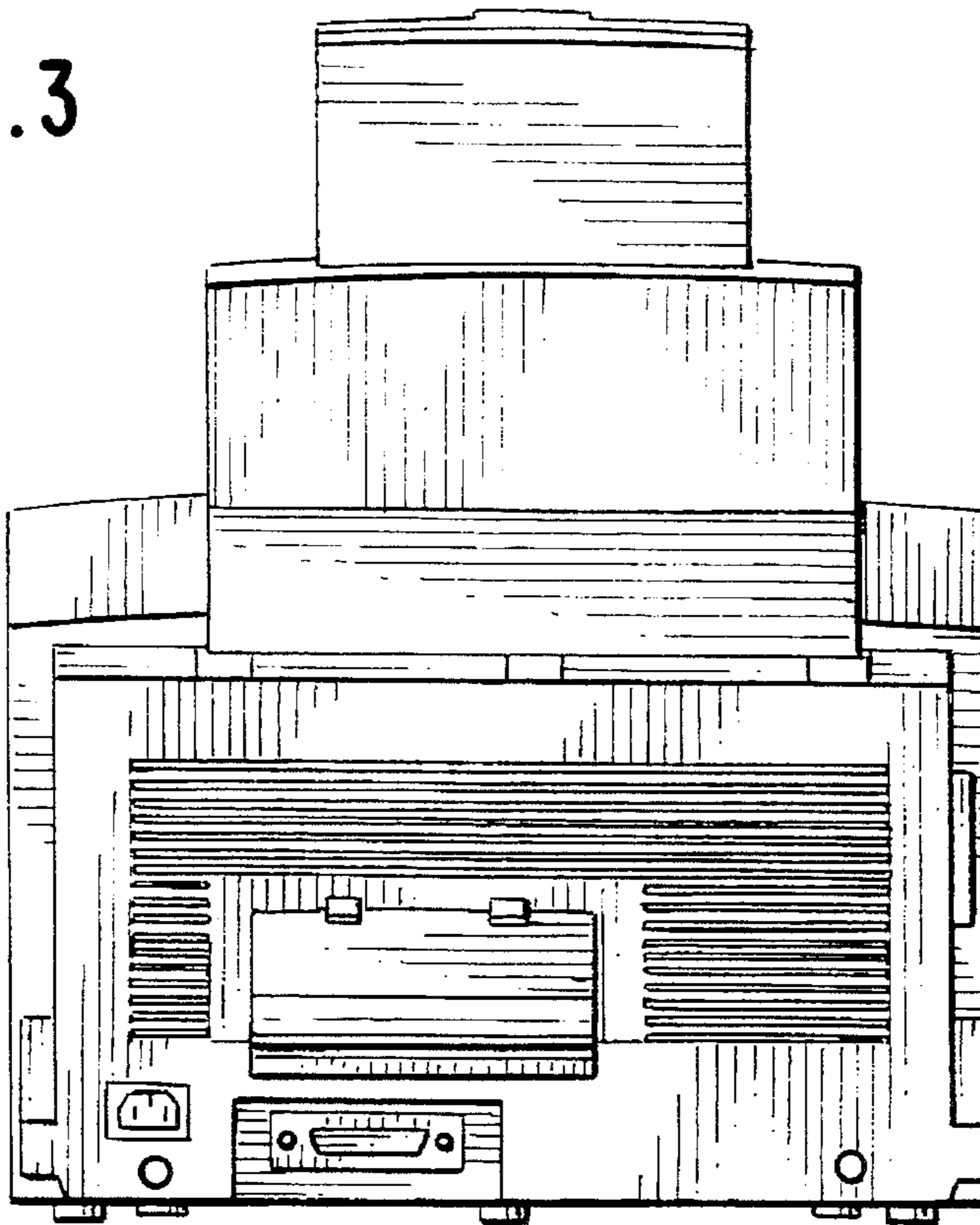


FIG. 4

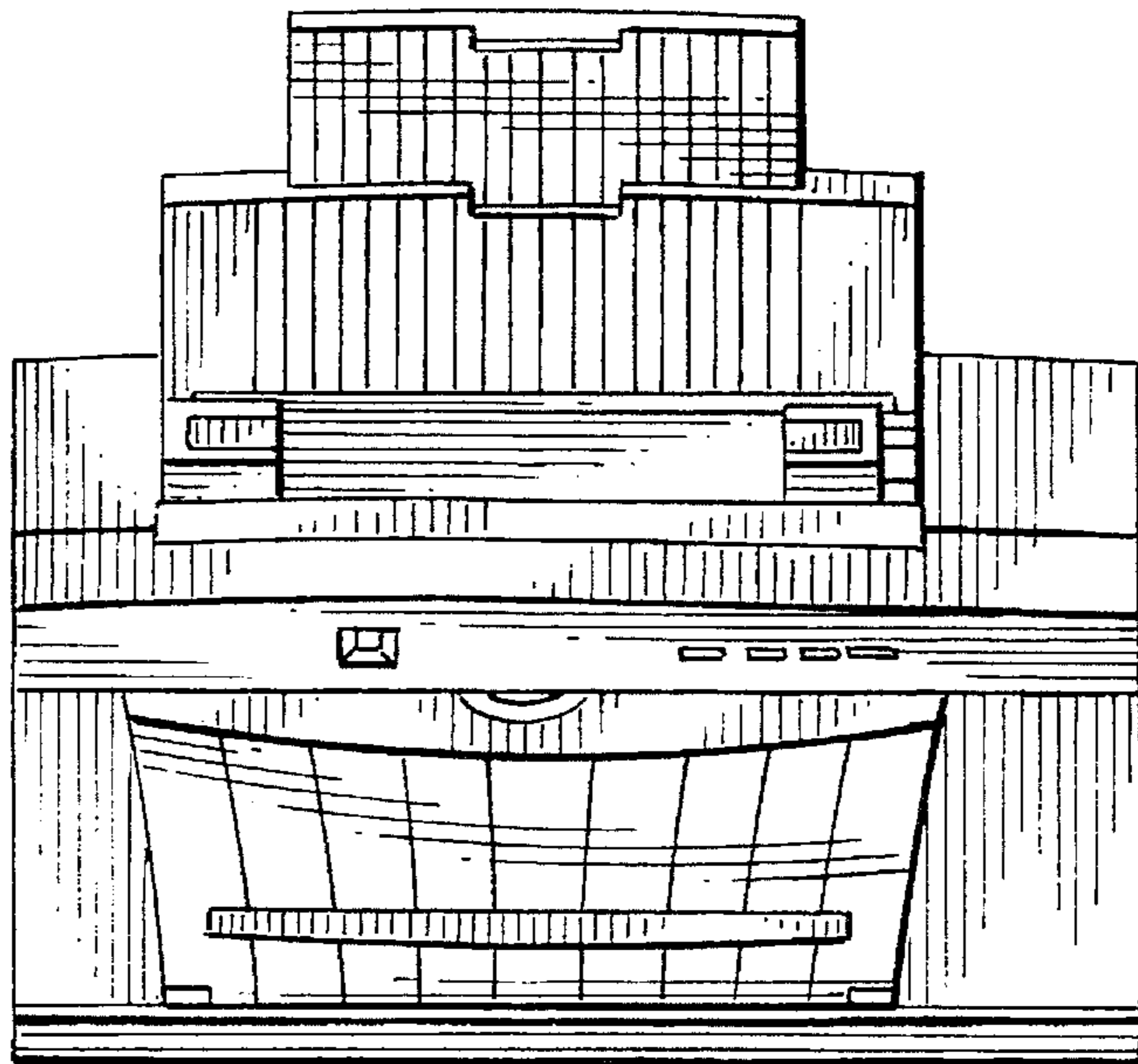


FIG. 5

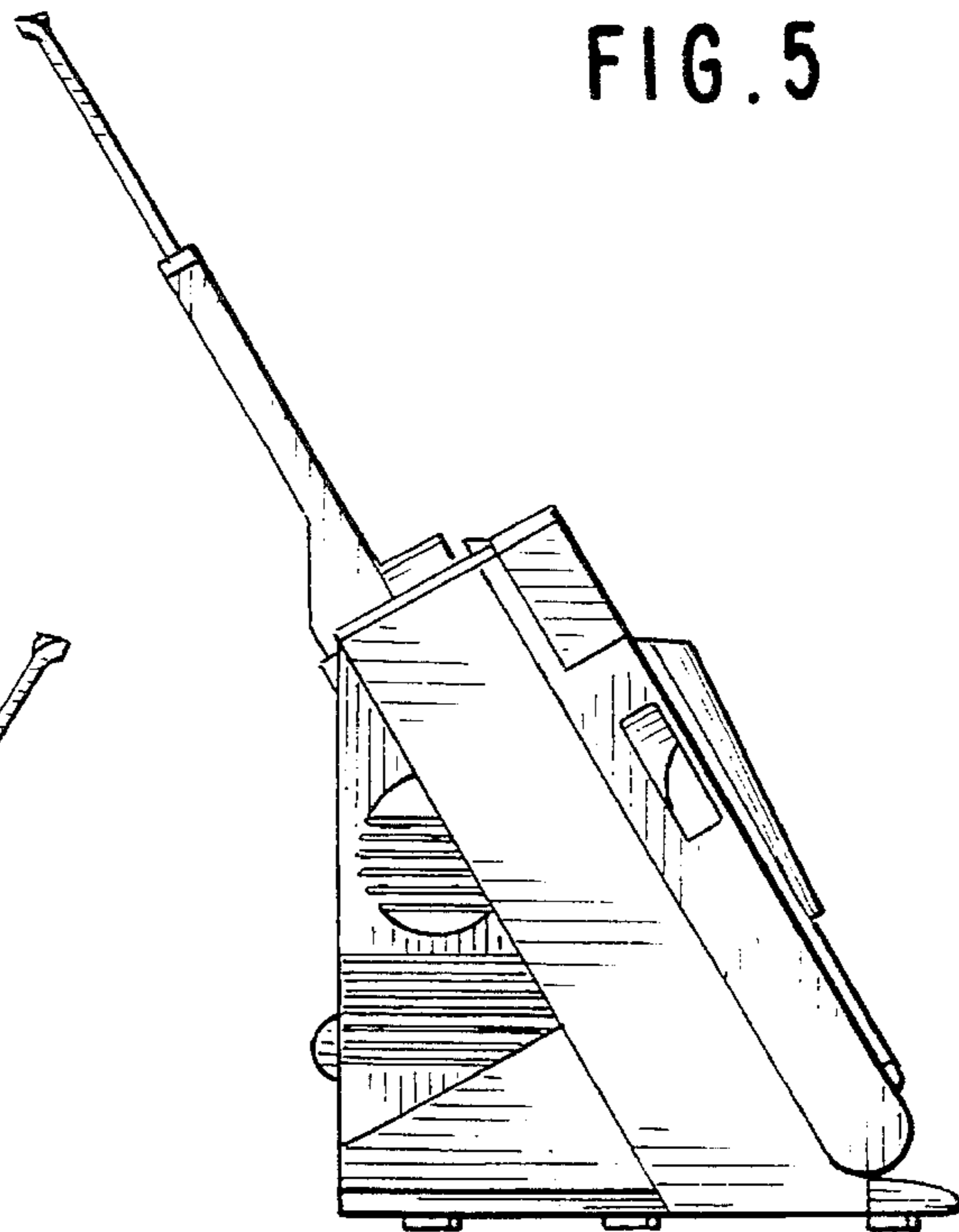


FIG. 6

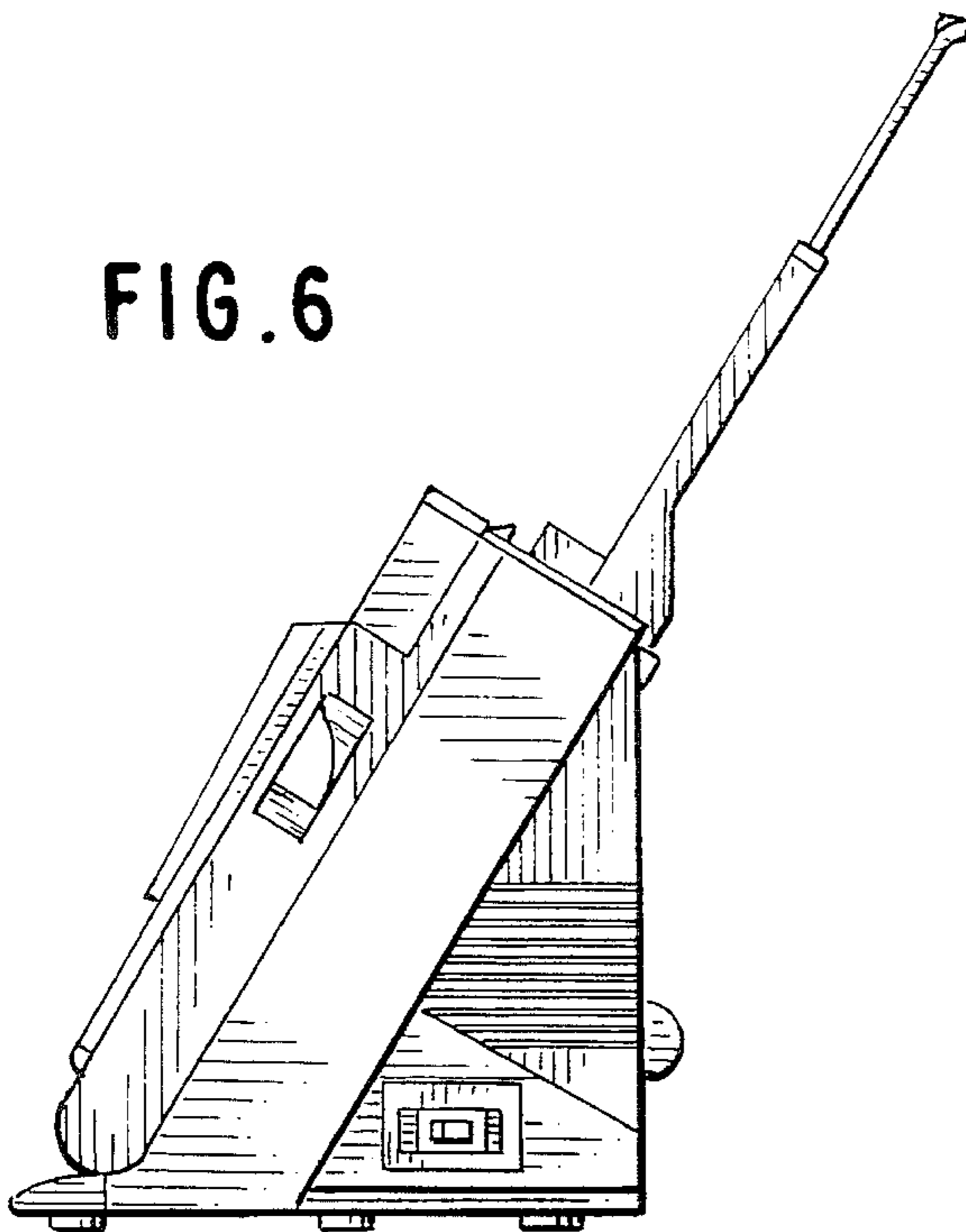


FIG. 7

