



US00D378923S

United States Patent [19]

Ito et al.

[11] Patent Number: **Des. 378,923**

[45] Date of Patent: ****Apr. 22, 1997**

[54] CAMERA

[75] Inventors: **Hitomi Ito**, Tokyo; **Akihiro Namai**,
Kawasaki; **Mitsuo Uchida**, Tokyo, all
of Japan

[73] Assignee: **Canon Kabushiki Kaisha**, Tokyo,
Japan

[**] Term: **14 Years**

[21] Appl. No.: **47,193**

[22] Filed: **Nov. 28, 1995**

[30] Foreign Application Priority Data

May 30, 1995 [JP] Japan 7-15265

[52] U.S. Cl. **D16/209; D16/218**

[58] Field of Search D16/200-205,
D16/208, 209, 216-218; 354/126, 149.11,
195.12, 202, 288

[56] References Cited

U.S. PATENT DOCUMENTS

D. 350,554 9/1994 Shirai D16/209

D. 352,518	11/1994	Fukushima et al.	D16/209
D. 354,762	1/1995	Koinuma	D16/209
D. 359,298	6/1995	Matsuda	D16/218
D. 369,372	4/1996	Ishikawa et al.	D16/217
4,990,945	2/1991	Cho et al.	354/195.12

Primary Examiner—Prabhakar G. Deshmukh
Assistant Examiner—Adir Aronovich
Attorney, Agent, or Firm—Fitzpatrick, Cella, Harper &
Scinto

[57] CLAIM

The ornamental design for a camera, as shown and described.

DESCRIPTION

FIG. 1 is a front view of a camera showing our new design;
FIG. 2 is a rear view thereof;
FIG. 3 is a top plan view thereof;
FIG. 4 is a bottom plan view thereof;
FIG. 5 is a left side view thereof;
FIG. 6 is a right side view thereof; and,
FIG. 7 is a perspective view thereof.

1 Claim, 3 Drawing Sheets

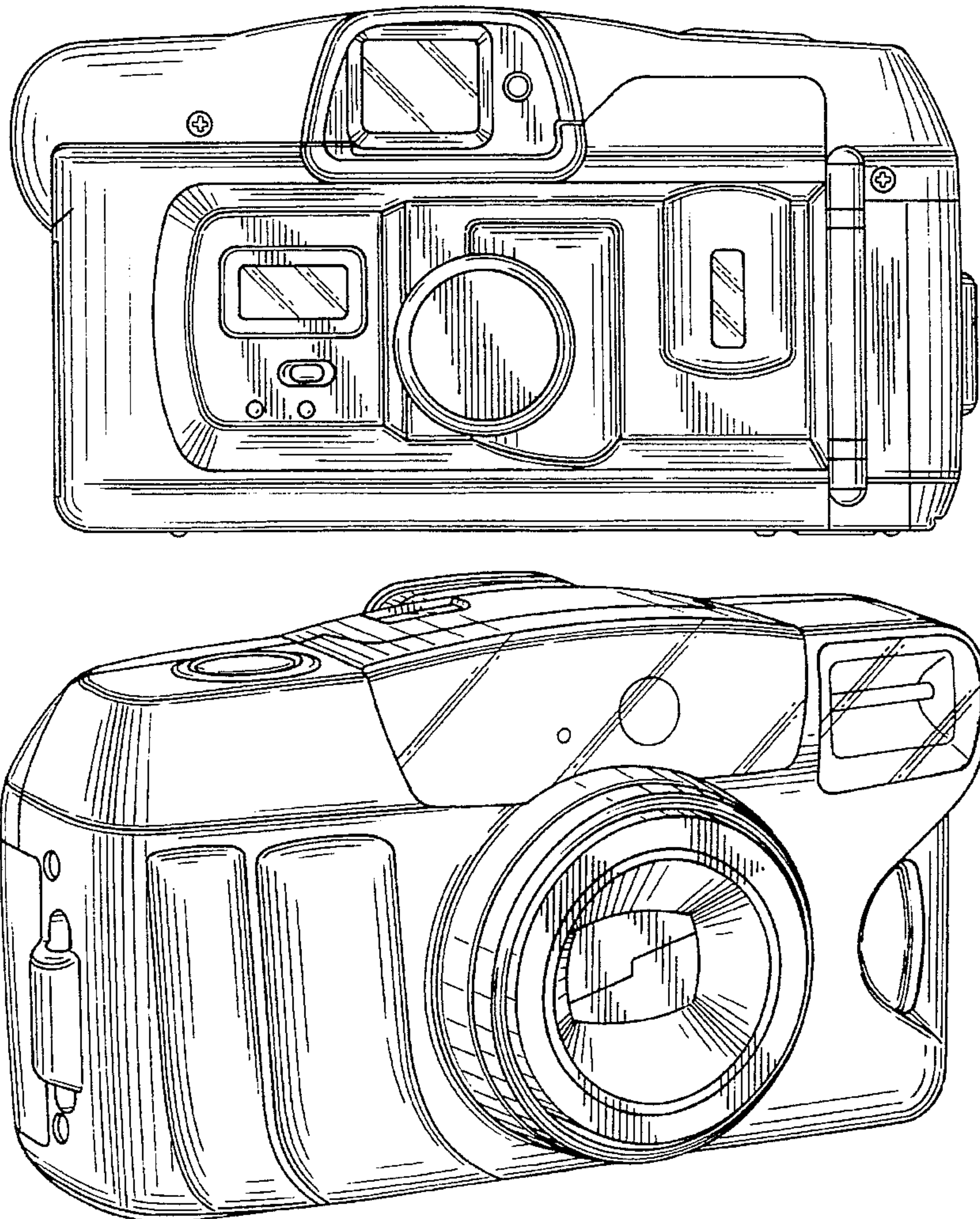


FIG. 1

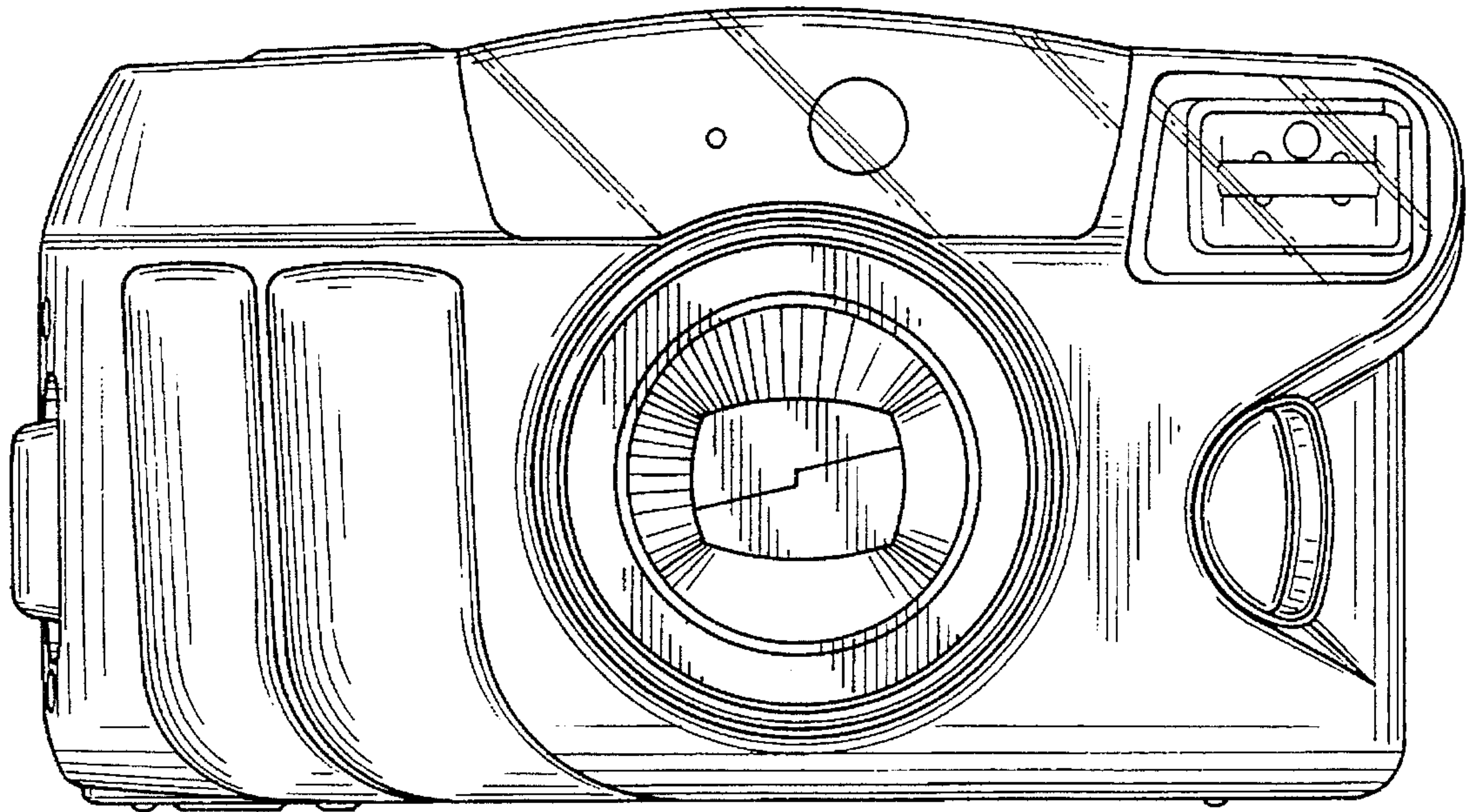


FIG. 2

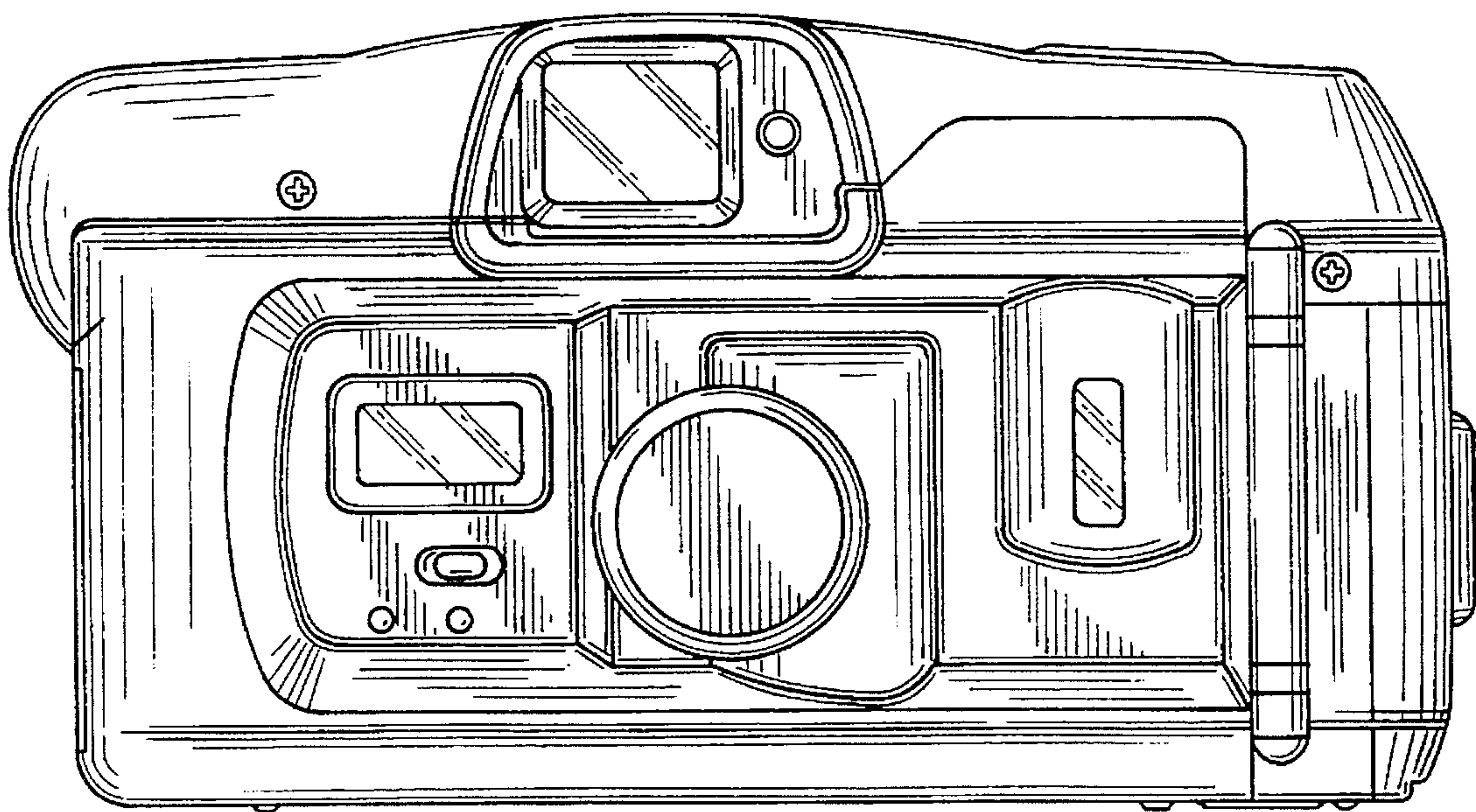


FIG. 3

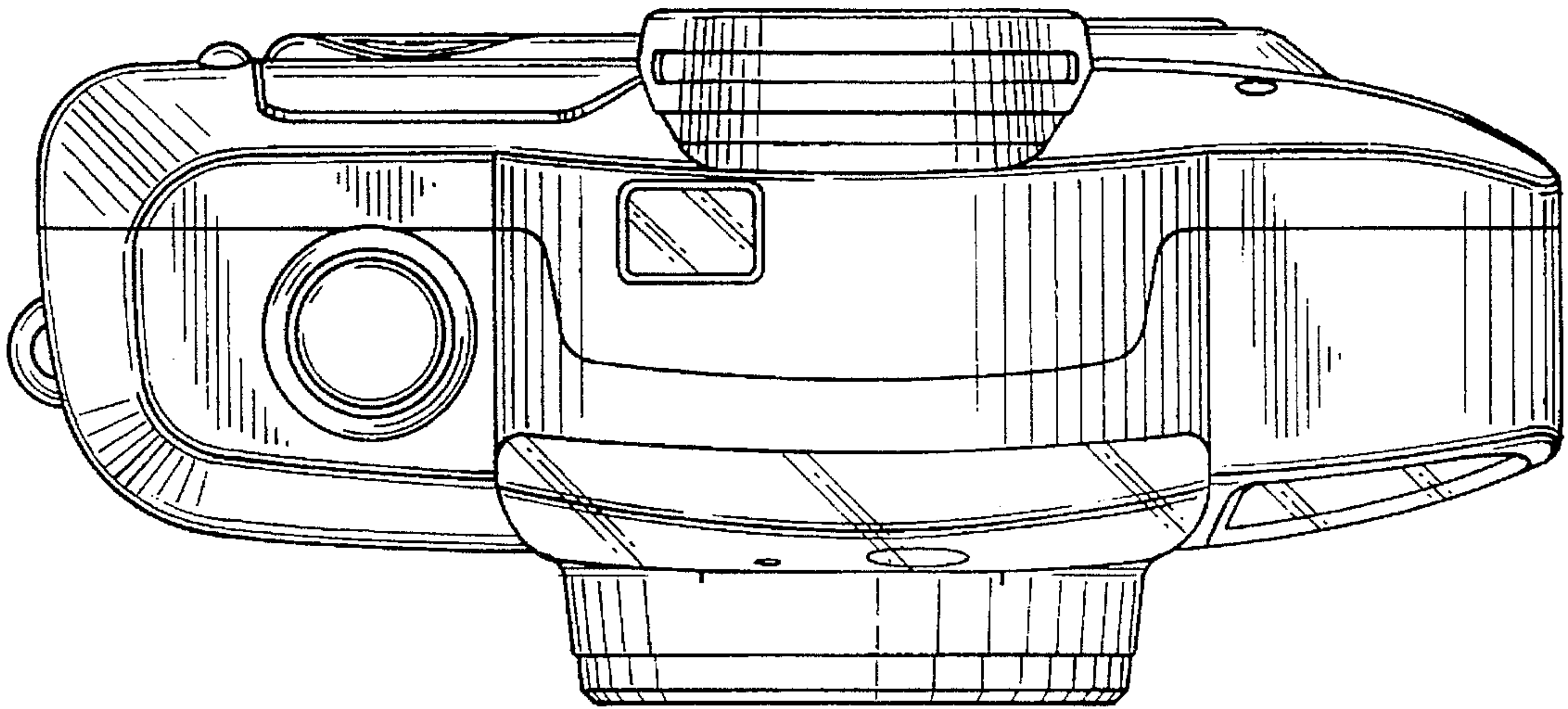


FIG. 4

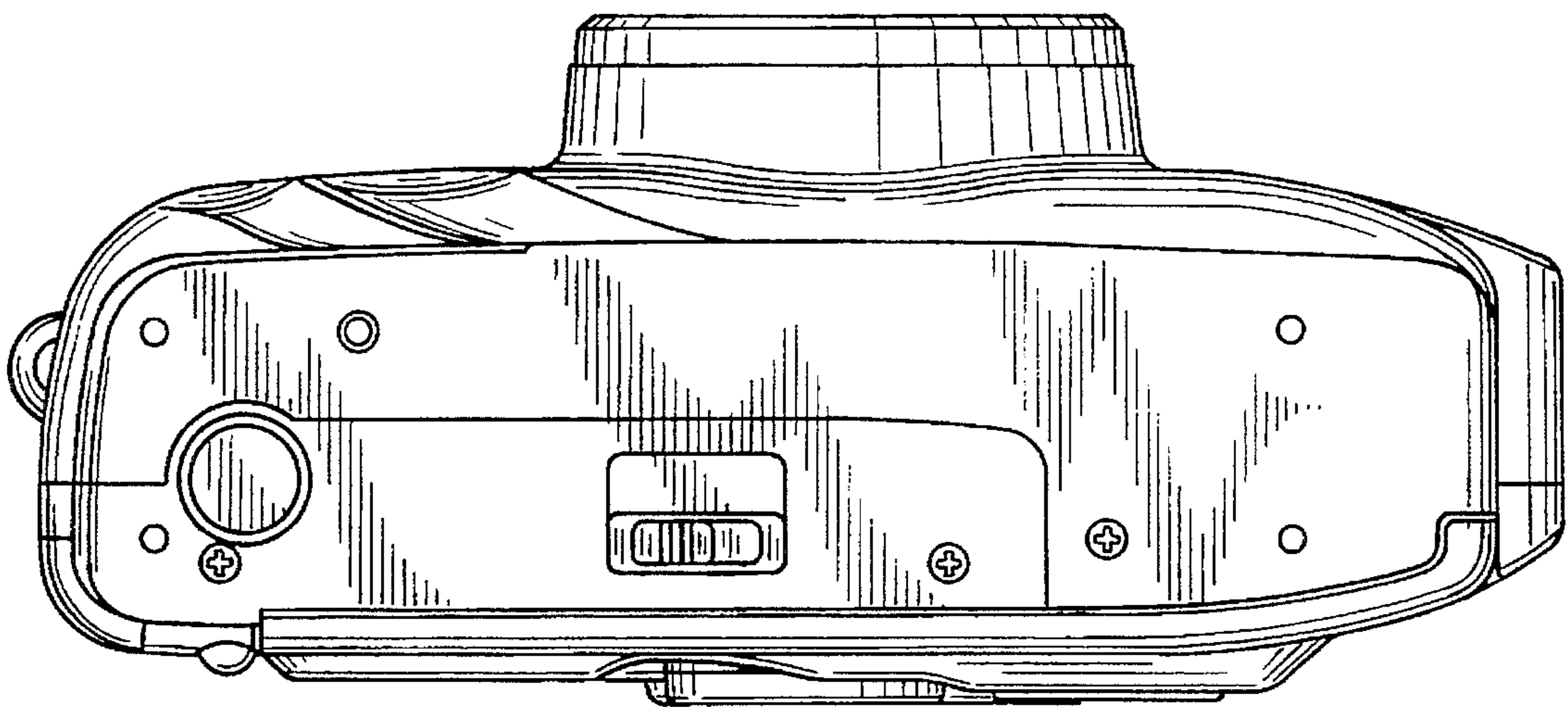


FIG. 5

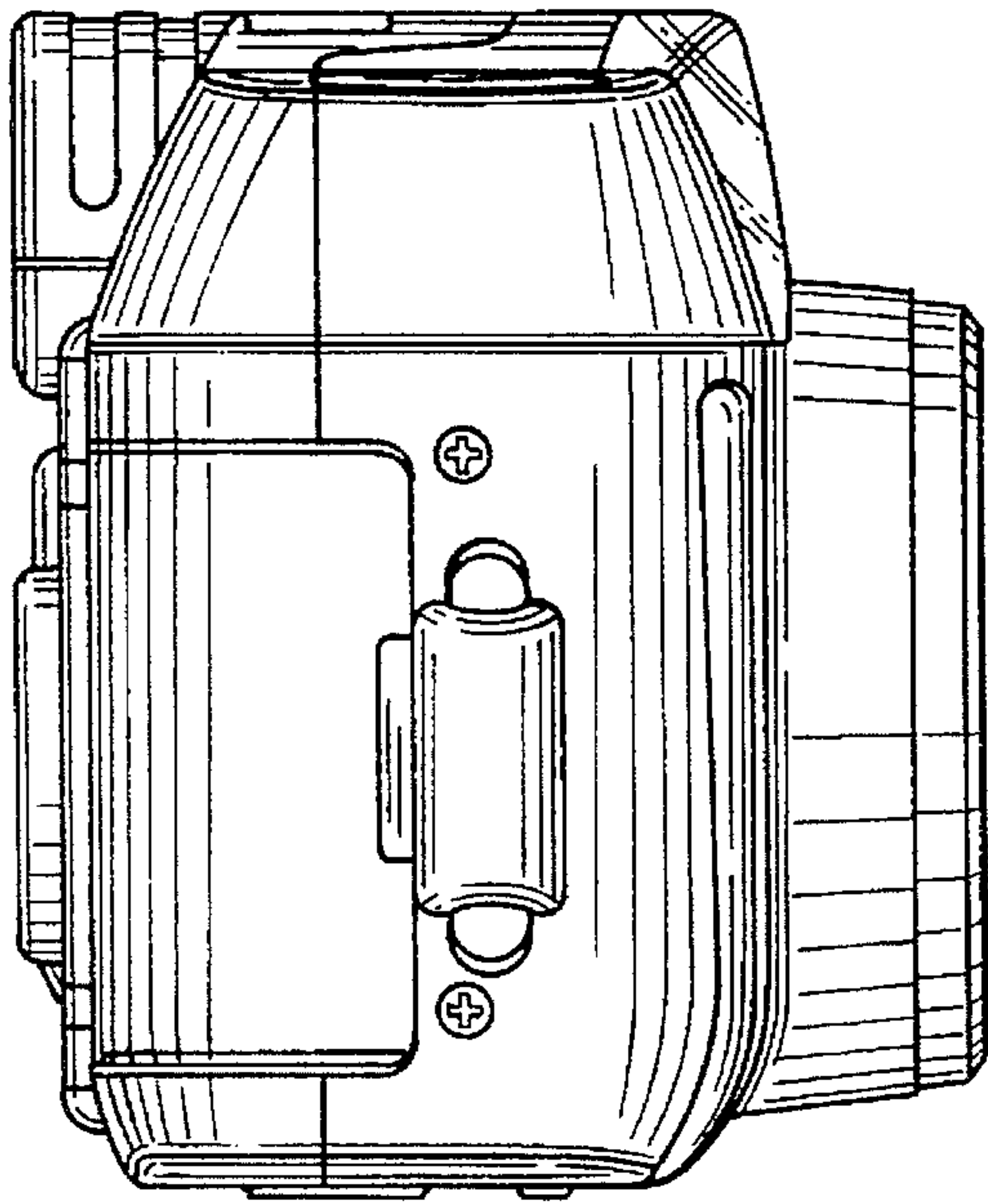


FIG. 6

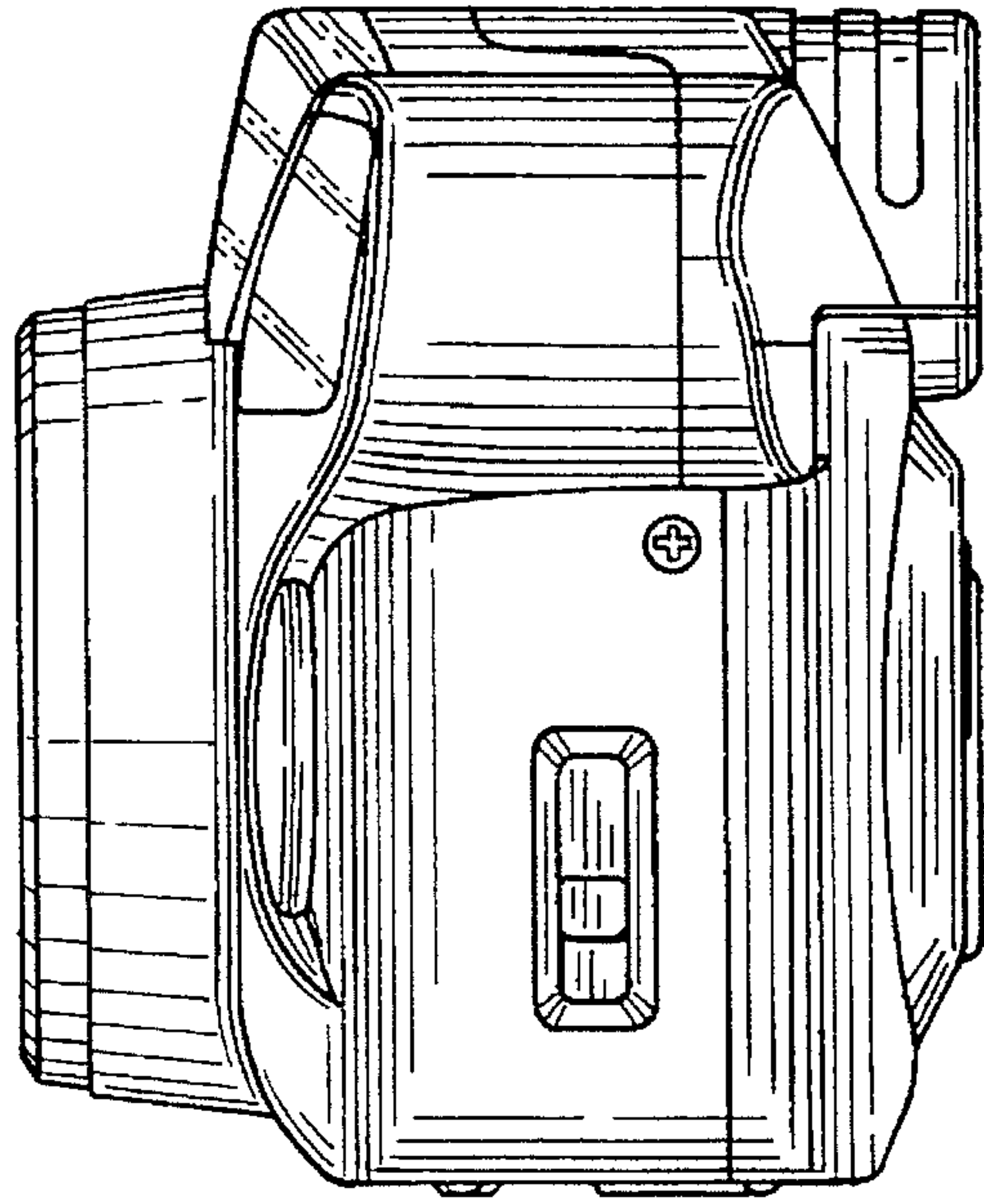


FIG. 7

