



US00D378921S

**United States Patent** [19]  
**Bohannan**

[11] **Patent Number: Des. 378,921**

[45] **Date of Patent: \*\*Apr. 22, 1997**

[54] **HORN TWEETER**

[75] Inventor: **Jerry L. Bohannan**, Albuquerque, N.M.

[73] Assignee: **Motorola, Inc.**, Schaumburg, Ill.

[\*\*] Term: **14 Years**

[21] Appl. No.: **48,517**

[22] Filed: **Jan. 2, 1996**

[52] U.S. Cl. .... **D14/208; D10/120**

[58] Field of Search ..... **D10/120; D14/204, D14/207-216, 219-222; 181/144-145, 148, 152-153, 159, 199; 381/156**

[56] **References Cited**

**U.S. PATENT DOCUMENTS**

D. 182,351 3/1958 Avedon ..... D14/204  
D. 235,747 7/1975 Sweany ..... D10/120

D. 264,841 6/1982 Pickrel ..... D14/204  
D. 275,852 10/1984 Brisson ..... D14/204  
4,071,112 1/1978 Keele, Jr. .... 181/159 X  
5,004,067 4/1991 Partonis ..... 381/156

*Primary Examiner*—Sandra L. Morris  
*Assistant Examiner*—Nanda Bondade  
*Attorney, Agent, or Firm*—Gary J. Cunningham

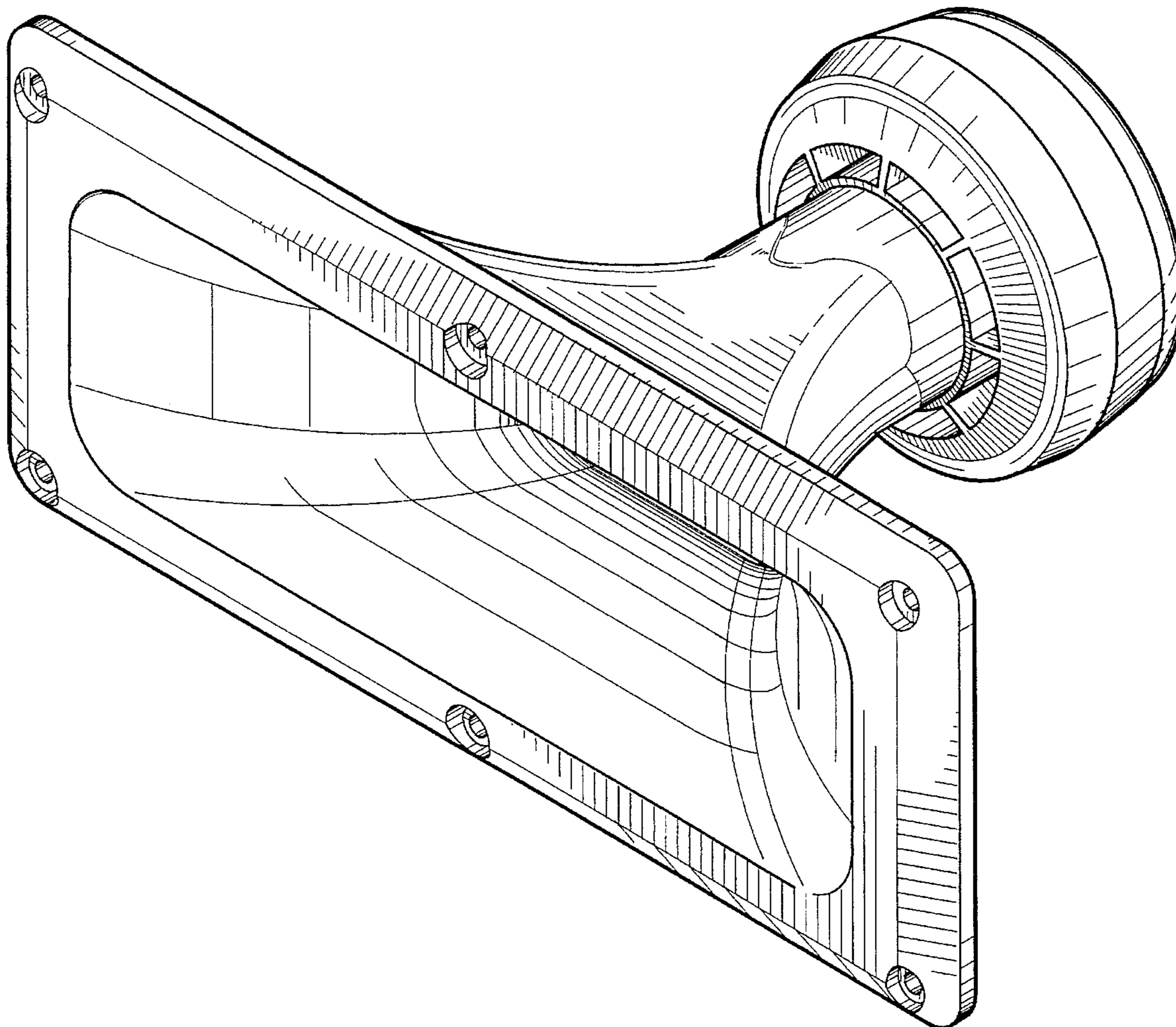
[57] **CLAIM**

The ornamental design for a “horn tweeter”, as shown and described.

**DESCRIPTION**

FIG. 1 is a front, top and right side perspective view of a “horn tweeter” showing my new design;  
FIG. 2 is a left side elevational view thereof;  
FIG. 3 is a rear elevational view thereof; and,  
FIG. 4 is a bottom plan view thereof.

**1 Claim, 2 Drawing Sheets**



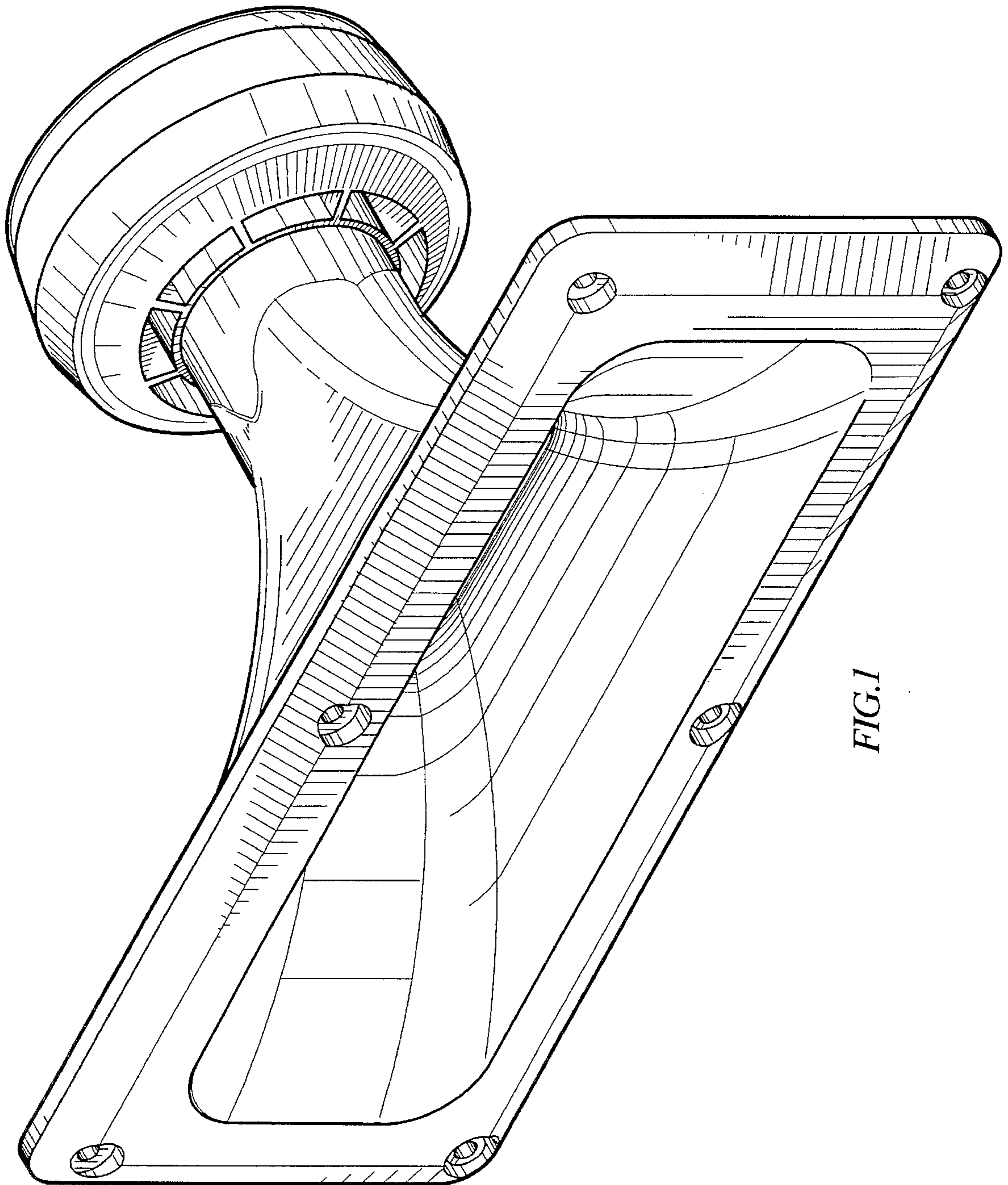


FIG. 1

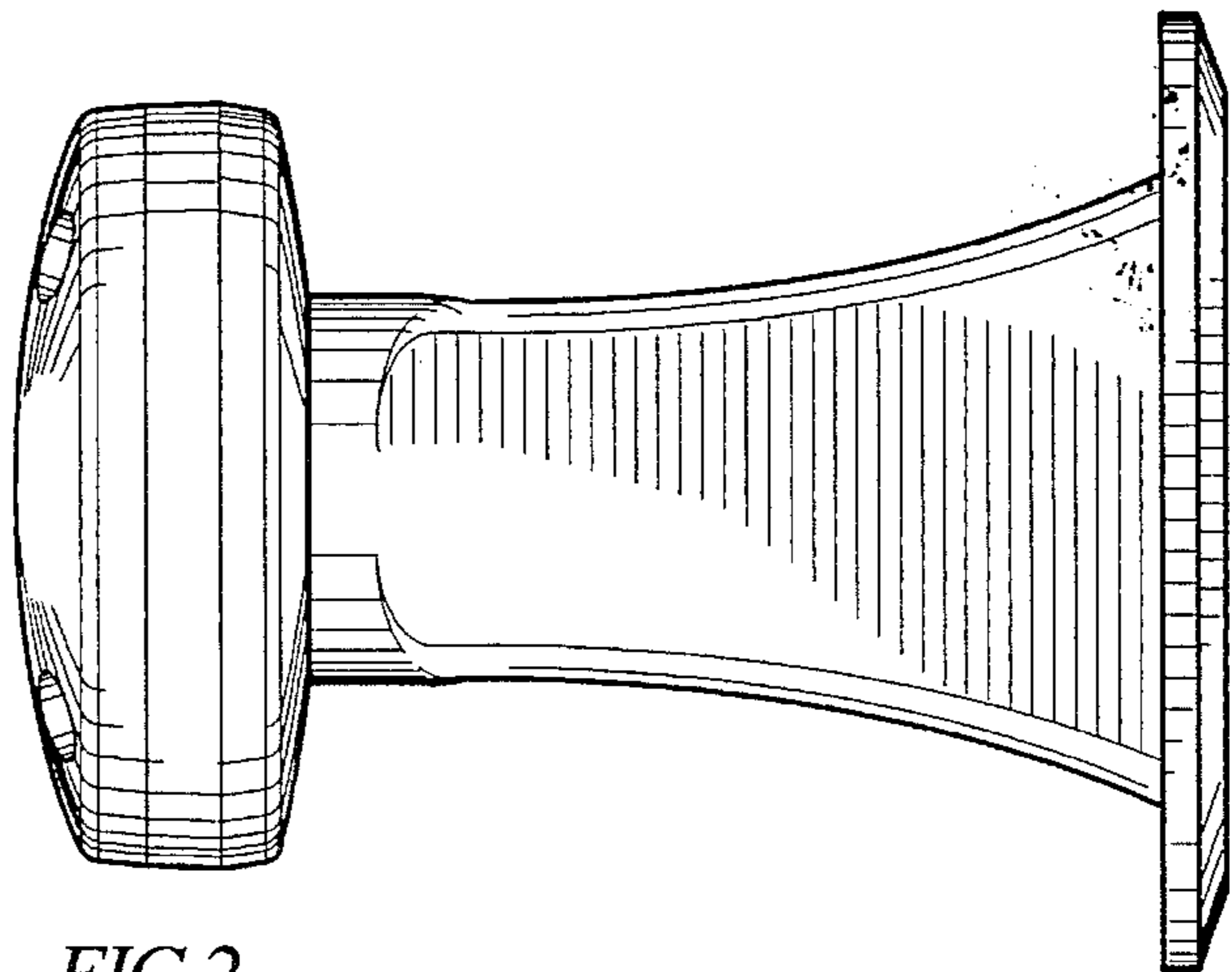


FIG. 2

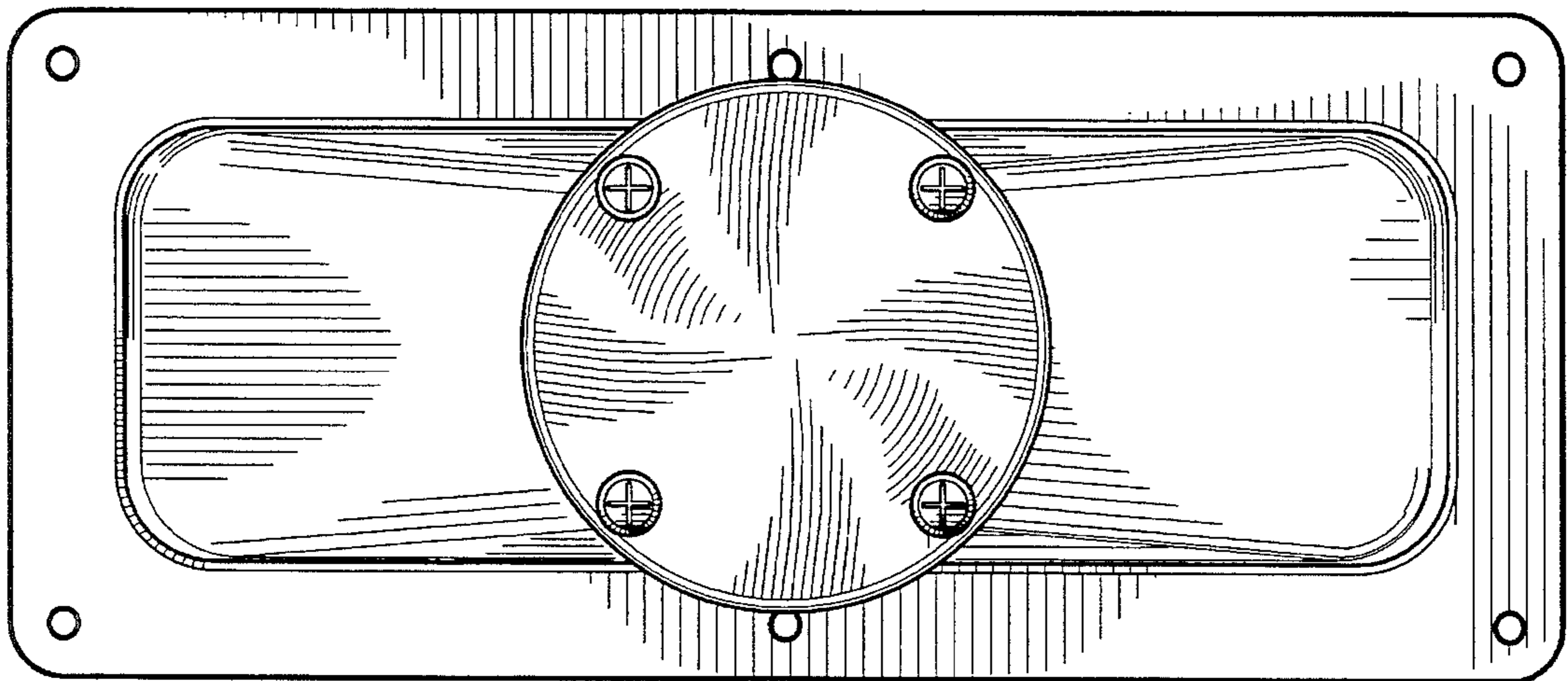


FIG. 3

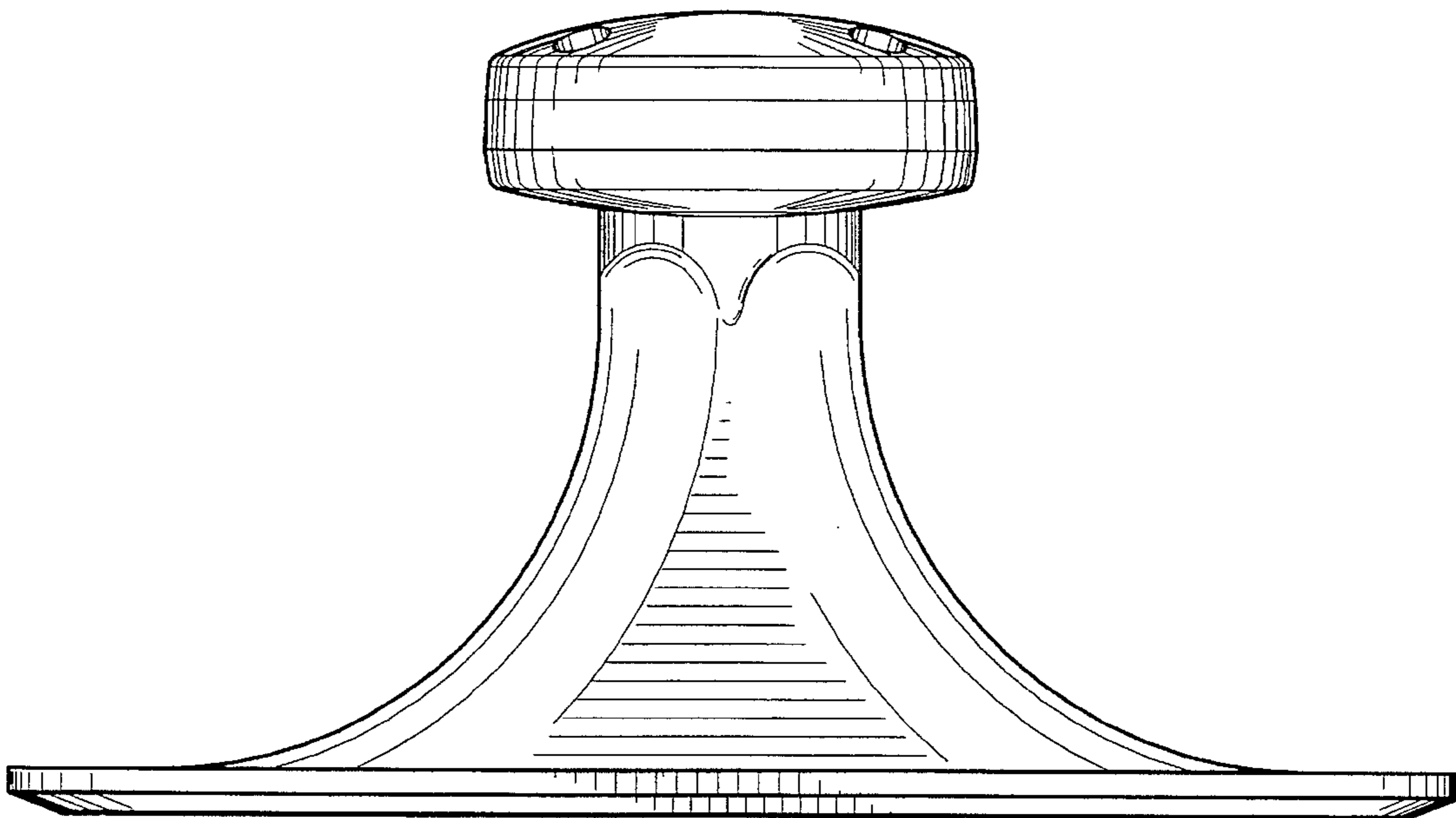


FIG. 4