



US00D378916S

# United States Patent [19]

[11] Patent Number: **Des. 378,916**

Kanno et al.

[45] Date of Patent: **\*\*Apr. 22, 1997**

[54] **COMBINED CRADLE AND RECEIVER FOR A BAR CODE READER**

D. 353,131	12/1994	Nagele	.....	D14/108 X
D. 357,990	5/1995	Cheng et al.	.....	D13/108 X
D. 363,917	11/1995	Kanou et al.	.....	D13/108
D. 366,659	1/1996	Ross et al.	.....	D14/114

[75] Inventors: **Tsutomu Kanno; Takashi Kondo; Hisashi Murata**, all of Miyagi-ken, Japan

*Primary Examiner*—M. H. Tung  
*Attorney, Agent, or Firm*—Guy W. Shoup; Patrick T. Bever

[73] Assignee: **Alps Electric Co., Ltd.**, Tokyo, Japan

[57] **CLAIM**

[\*\*] Term: **14 Years**

The ornamental design for combined cradle and receiver for a bar code reader, as shown.

[21] Appl. No.: **43,894**

**DESCRIPTION**

[22] Filed: **Sep. 14, 1995**

[52] U.S. Cl. .... **D14/116**

[58] Field of Search ..... D14/100, 107,  
D14/116, 114; D13/107-8

FIG. 1 is a perspective view of the combined cradle and receiver for a bar code reader;  
FIG. 2 is a front elevation view thereof;  
FIG. 3 is a rear elevation view thereof;  
FIG. 4 is a left side elevation view thereof;  
FIG. 5 is a right side elevation view thereof;  
FIG. 6 is a top plan view thereof; and,  
FIG. 7 is a bottom plan view thereof.

[56] **References Cited**

**U.S. PATENT DOCUMENTS**

D. 341,133	11/1993	Miyake et al.	.....	D14/114
D. 345,977	4/1994	Nagele	.....	D13/108 X
D. 351,133	10/1994	Jungels-Butler et al.	.....	D13/108

**1 Claim, 4 Drawing Sheets**

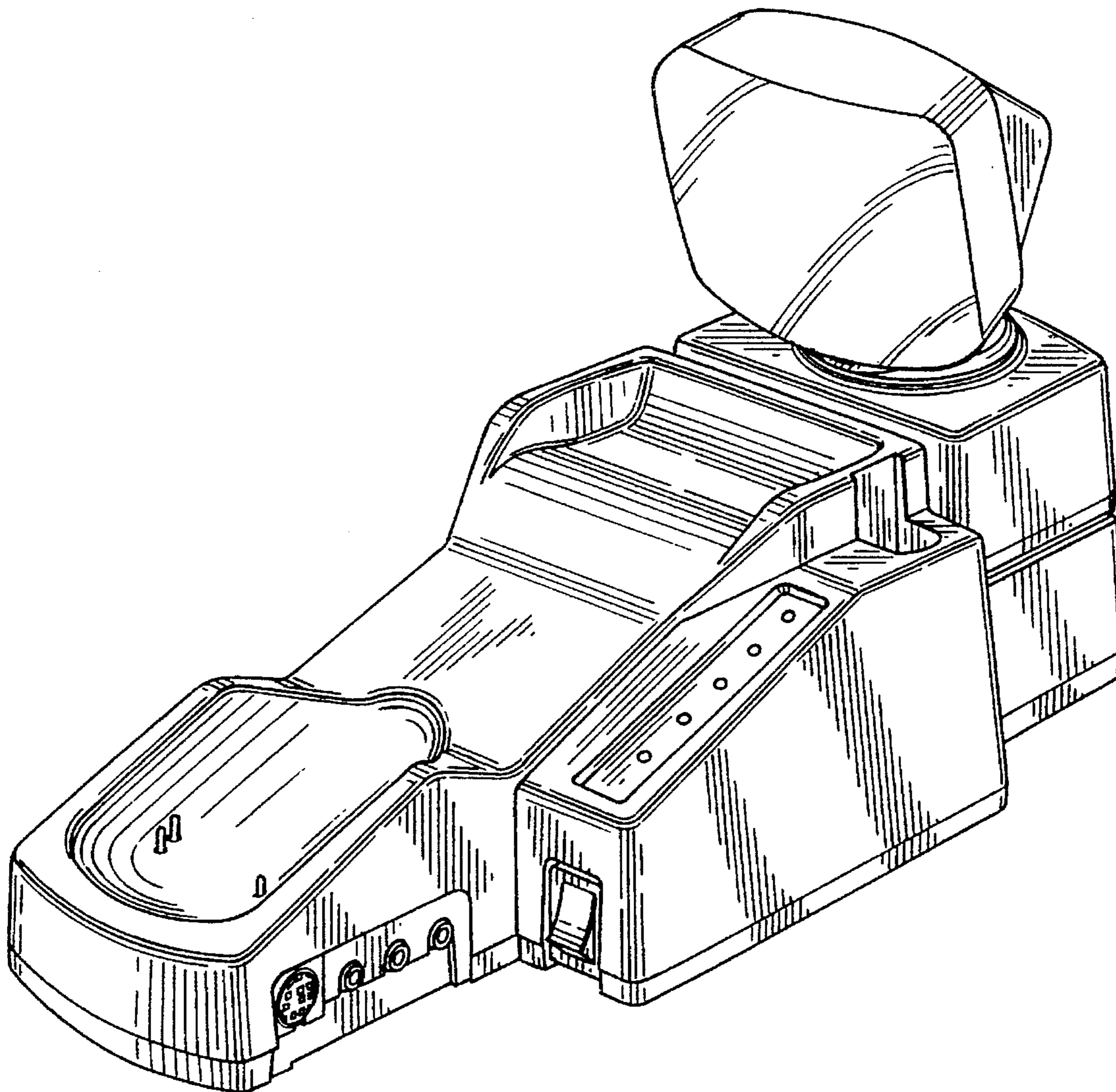


FIG. 1

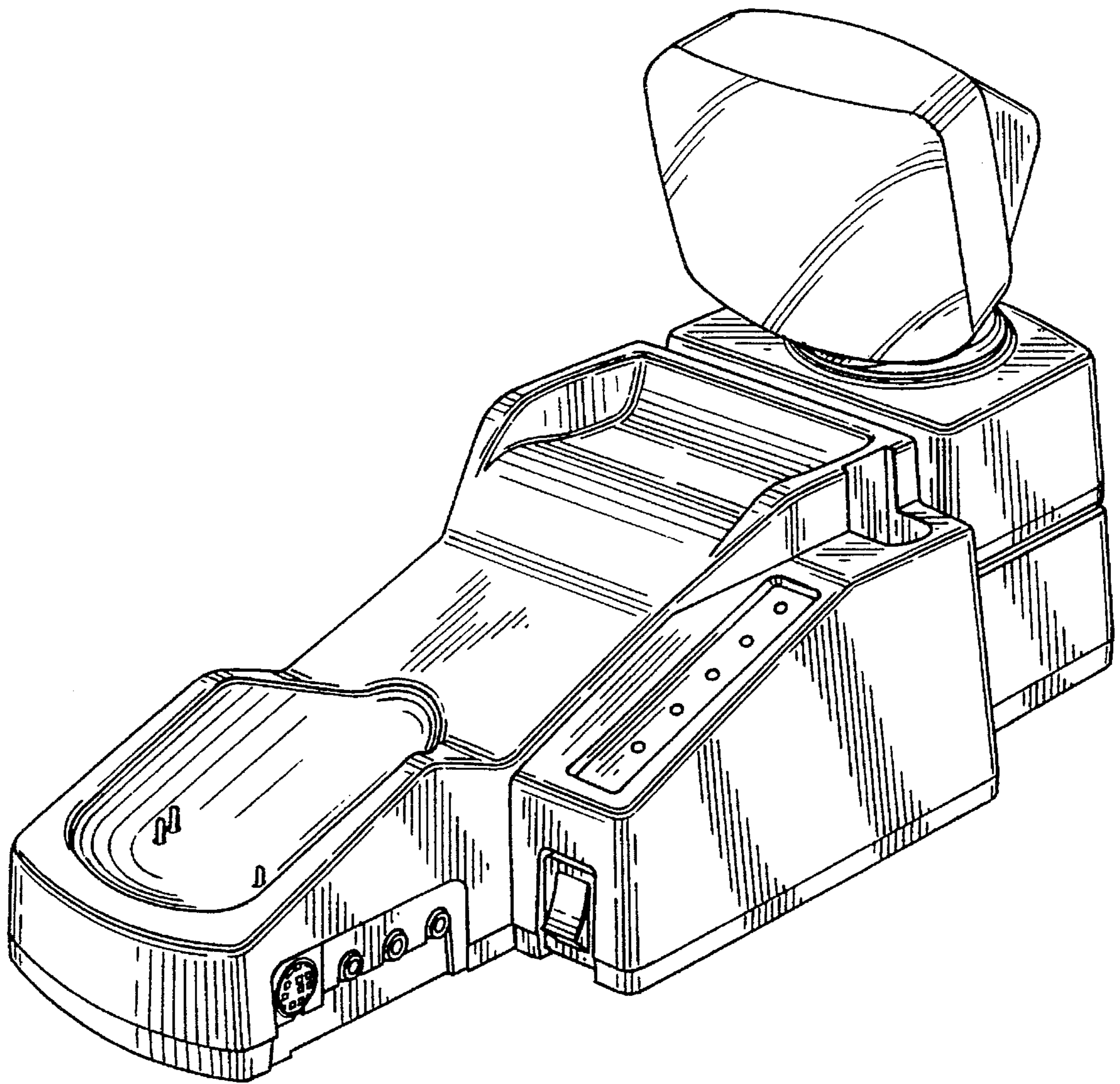


FIG. 2

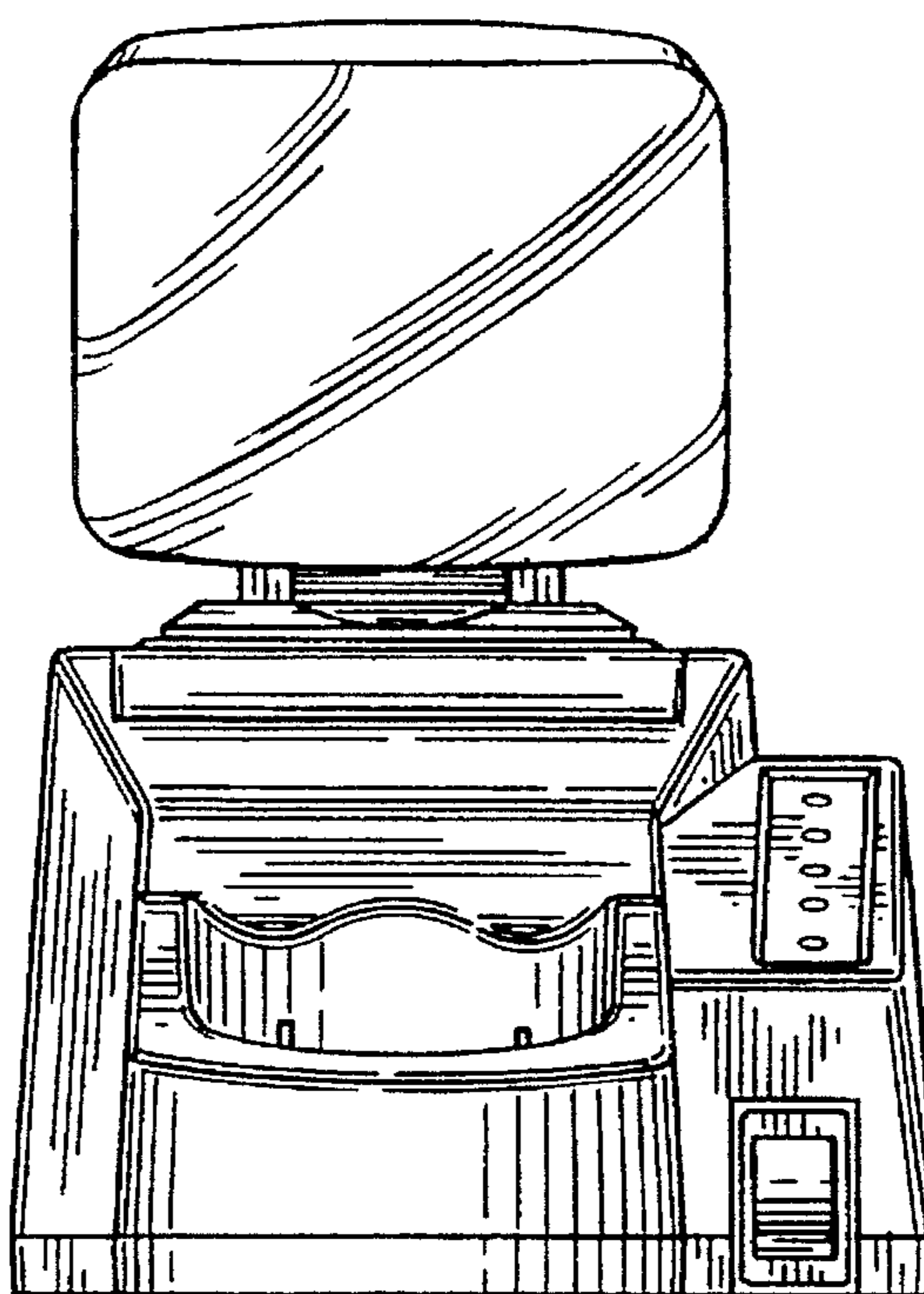


FIG. 3

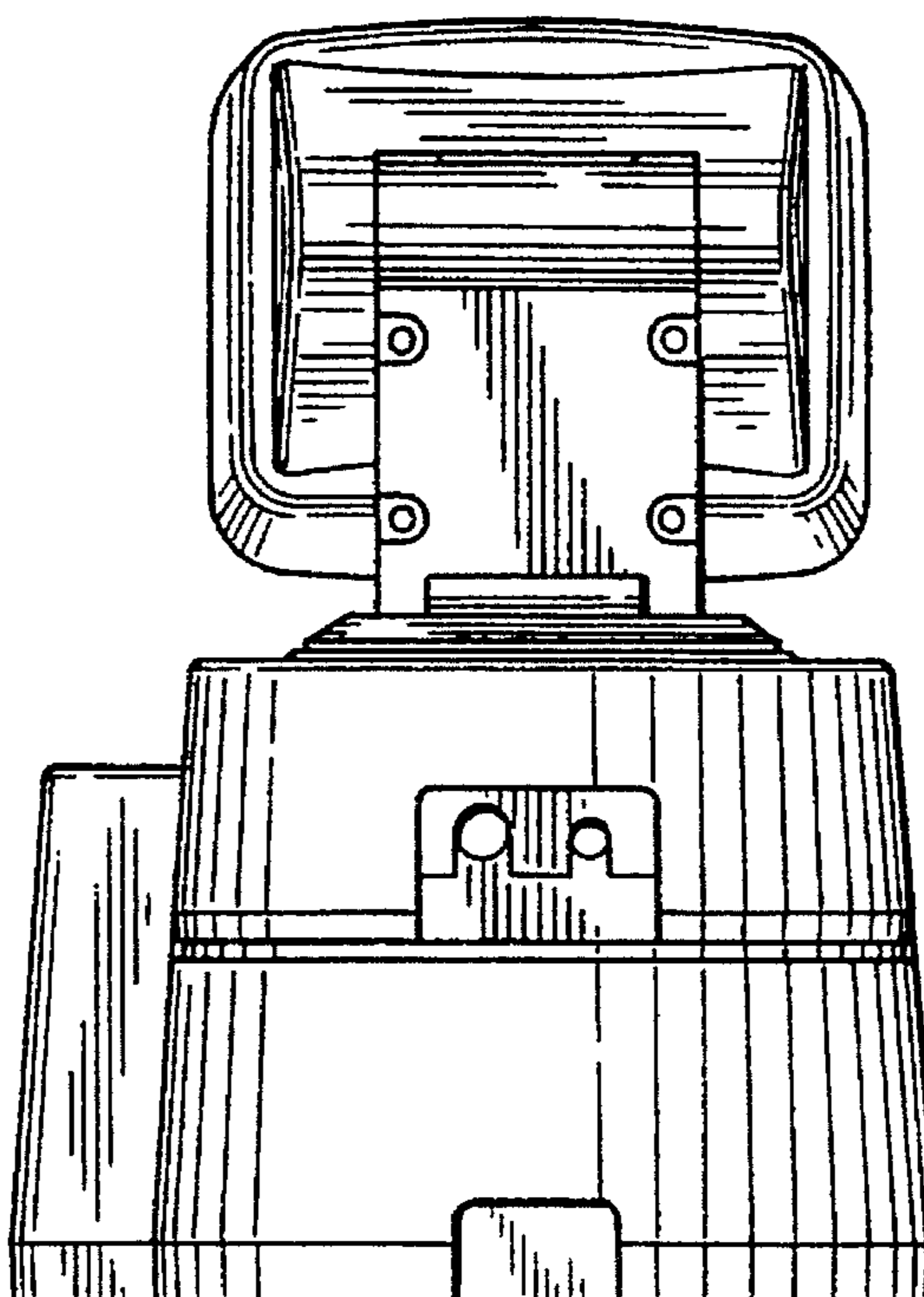


FIG. 4

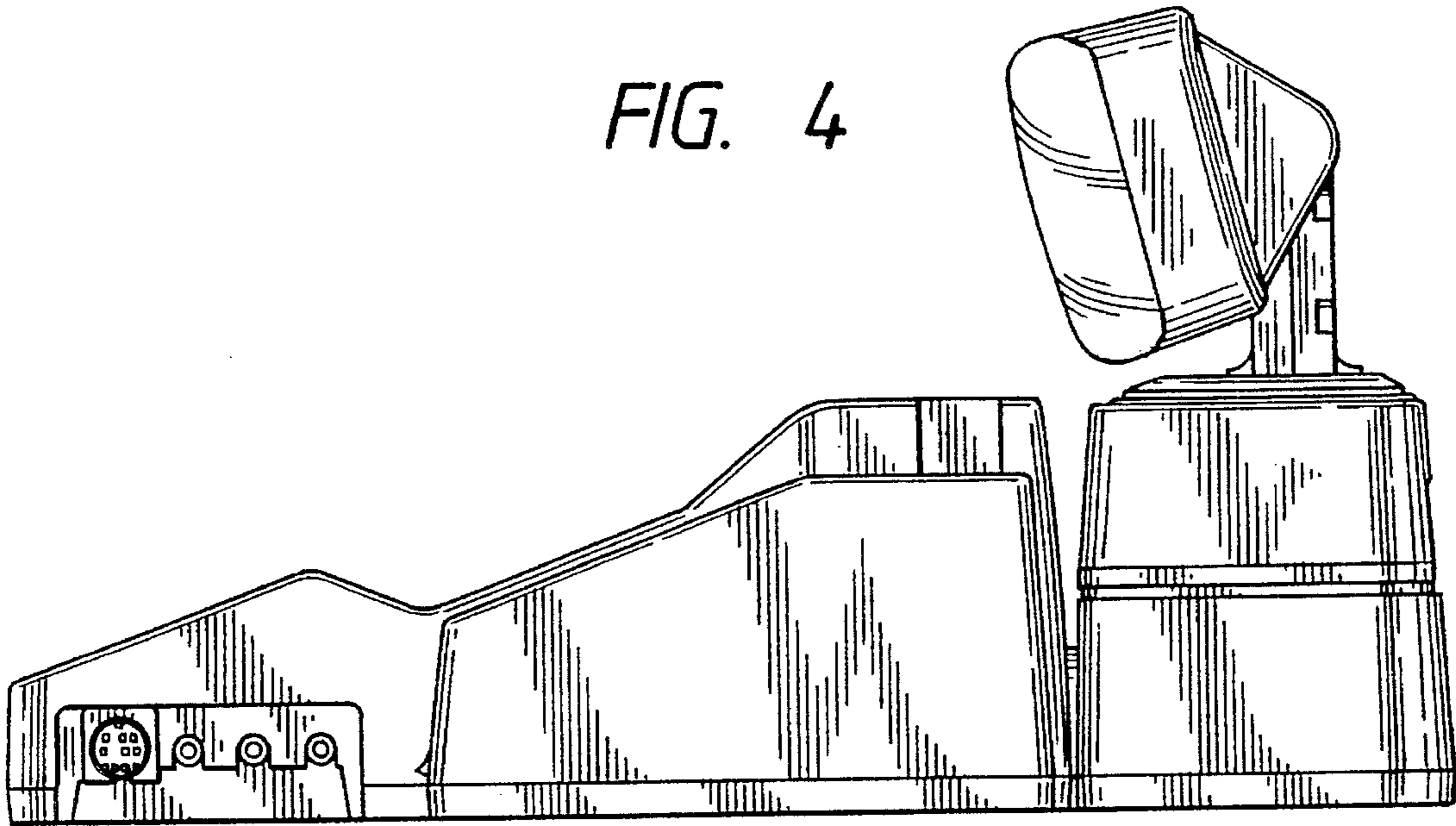


FIG. 5

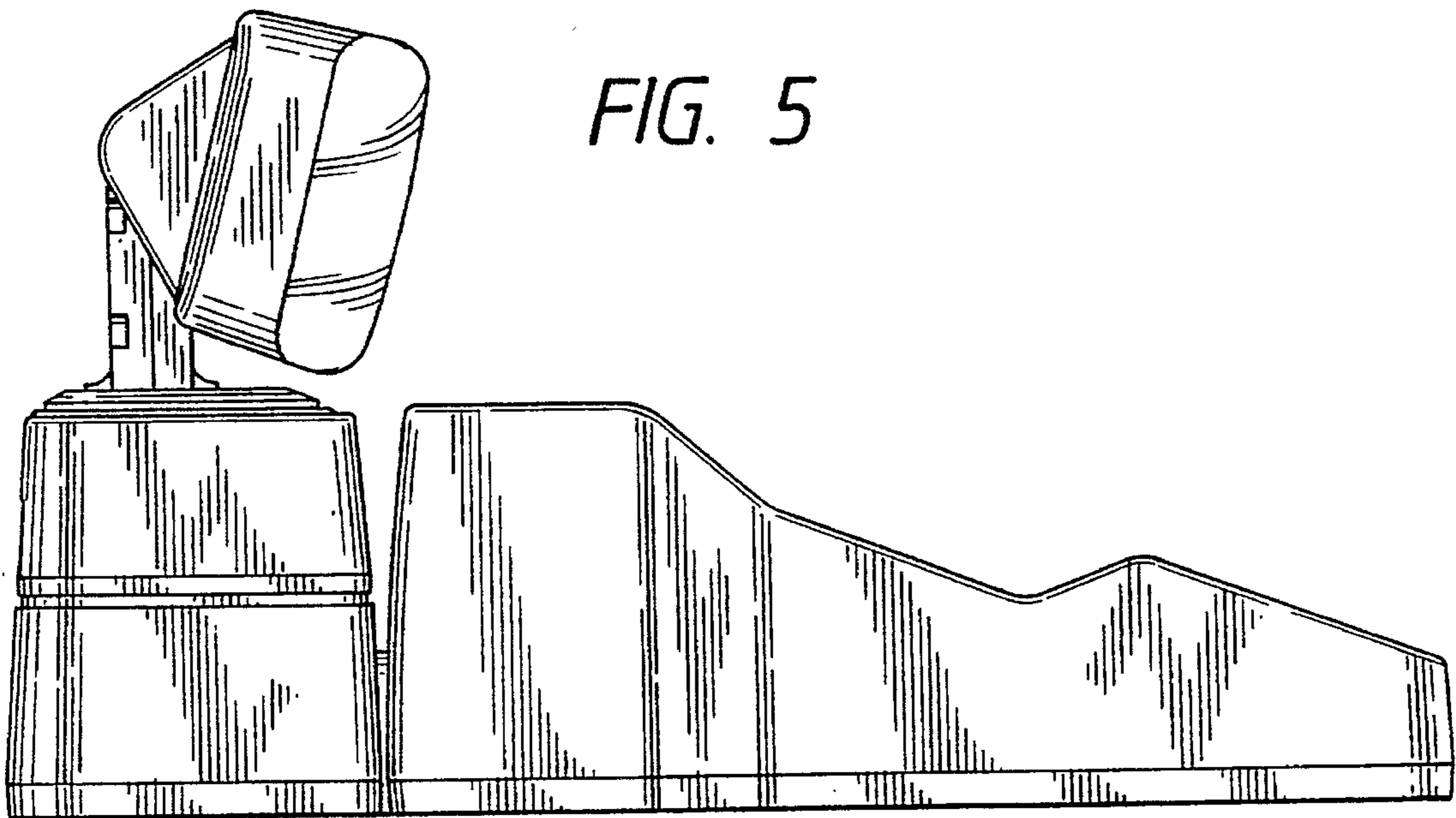


FIG. 6

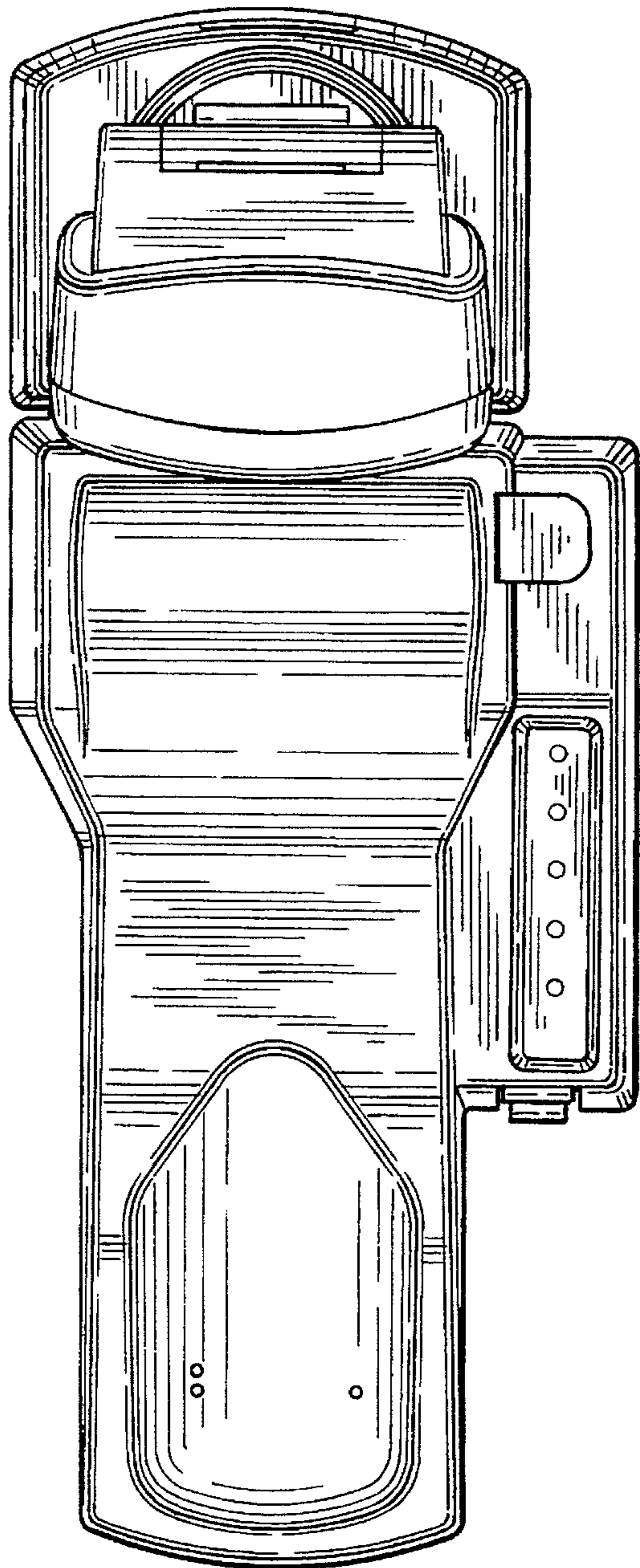


FIG. 7

