



US00D378915S

# United States Patent [19]

Widmayer et al.

[11] Patent Number: **Des. 378,915**

[45] Date of Patent: **\*\*Apr. 22, 1997**

[54] **HEAT SINK**

[75] Inventors: **Robert B. Widmayer**, Harvard;  
**Kenneth W. Larson**, Elmhurst, both of Ill.

[73] Assignee: **Motorola, Inc.**, Schaumburg, Ill.

[\*\*] Term: **14 Years**

[21] Appl. No.: **51,683**

[22] Filed: **Mar. 15, 1996**

### Related U.S. Application Data

[60] Continuation-in-part of Ser. No. 39,970, Jun. 7, 1995, abandoned, which is a division of Ser. No. 28,537, Sep. 19, 1994, Pat. No. Des. 367,469.

[52] U.S. Cl. .... **D13/179**

[58] Field of Search ..... D13/179; 257/706, 257/707, 718-722; 361/704-710, 718; 165/185, 180, 8.3; 174/16.3

[56] **References Cited**

### U.S. PATENT DOCUMENTS

D. 315,832	4/1991	Rochelear et al. ....	D13/179
5,343,362	8/1994	Solberg .....	174/16.3
5,381,859	1/1995	Minakami et al. ....	165/80.3

*Primary Examiner*—Doris Clark

*Attorney, Agent, or Firm*—George C. Pappas

[57] **CLAIM**

The ornamental design for a “heat sink”, as shown and described.

### DESCRIPTION

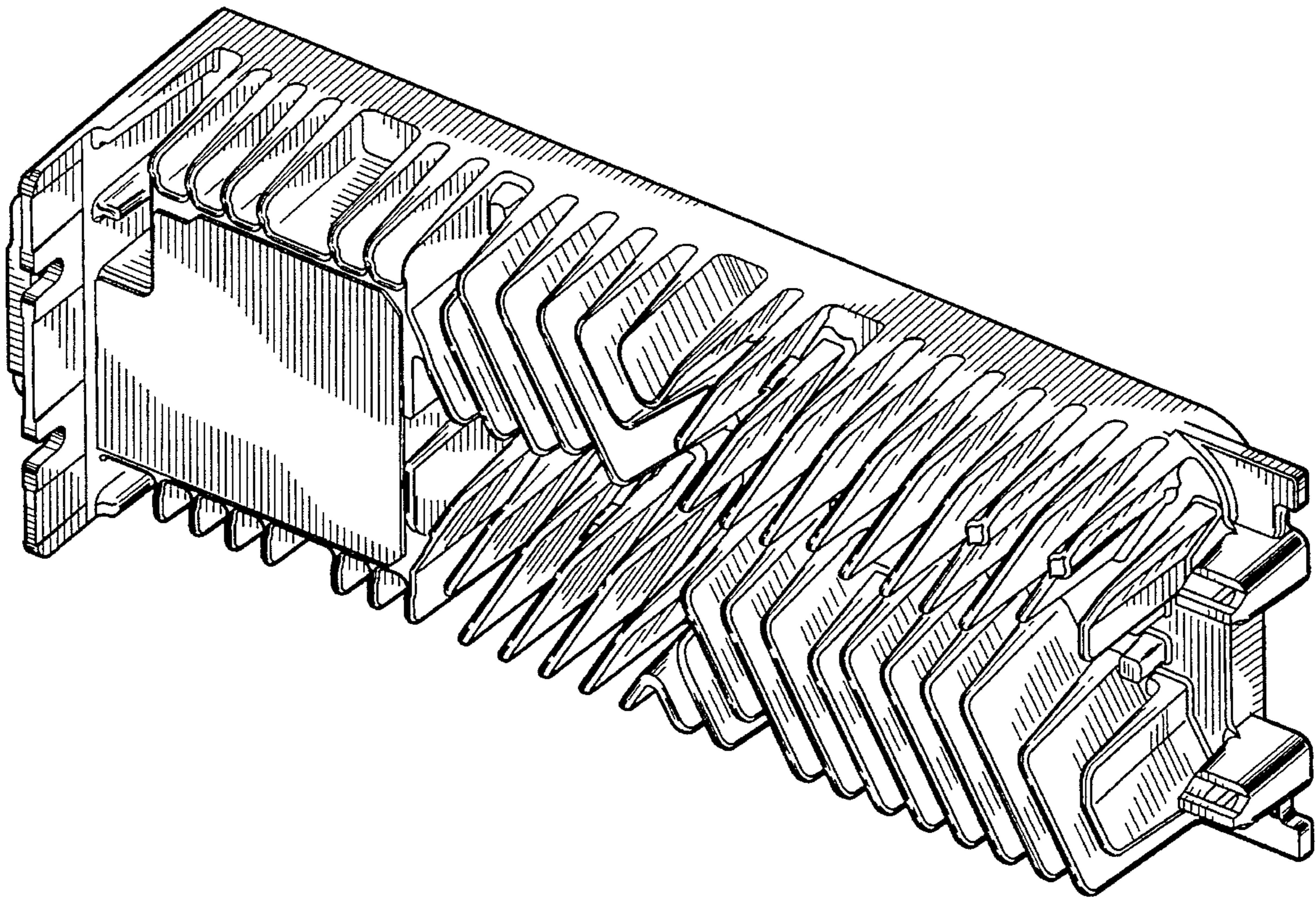
FIG. 1 is a right front top perspective view of our heat sink, in accordance with the present invention;

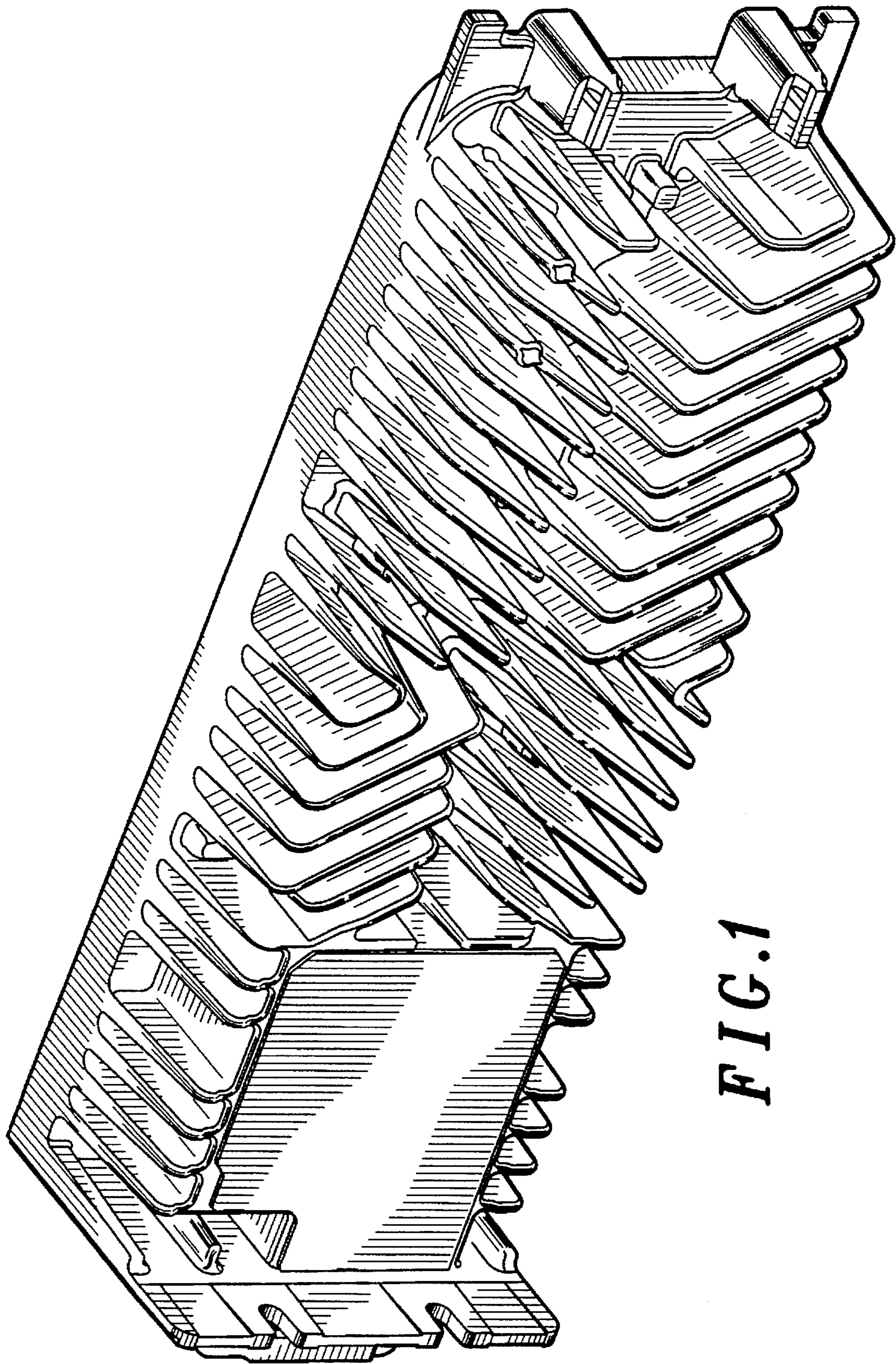
FIG. 2 is a left side elevational view thereof;

FIG. 3 is a rear elevational view thereof; and,

FIG. 4 is a bottom plan view thereof.

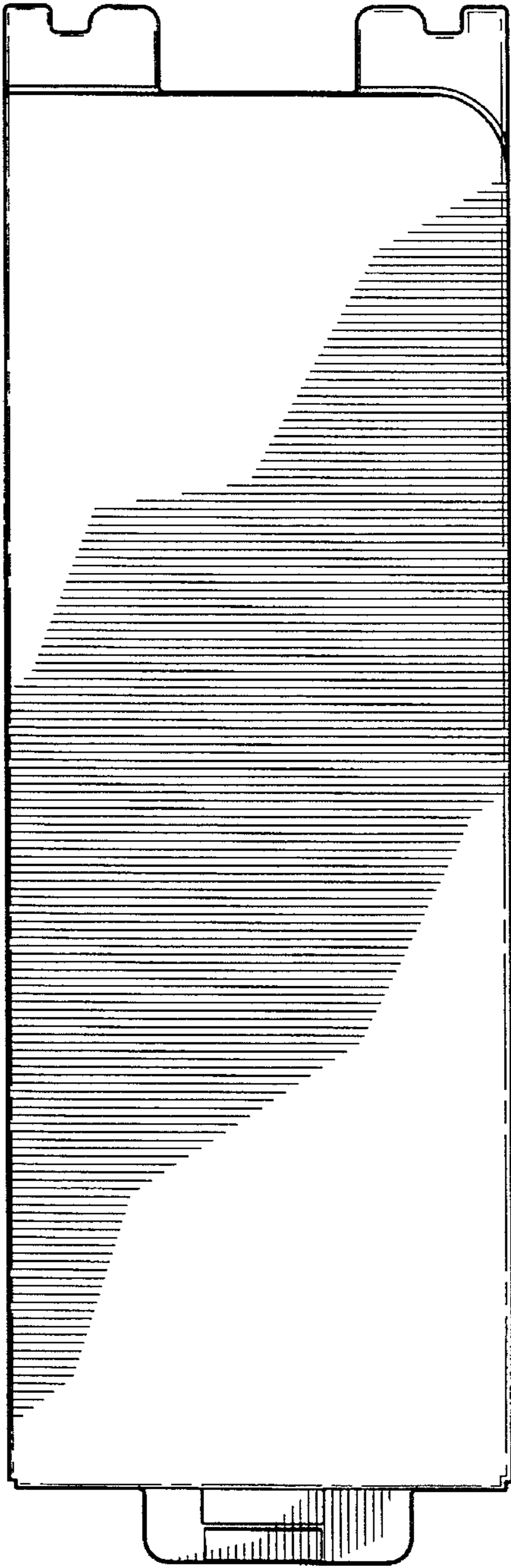
**1 Claim, 2 Drawing Sheets**



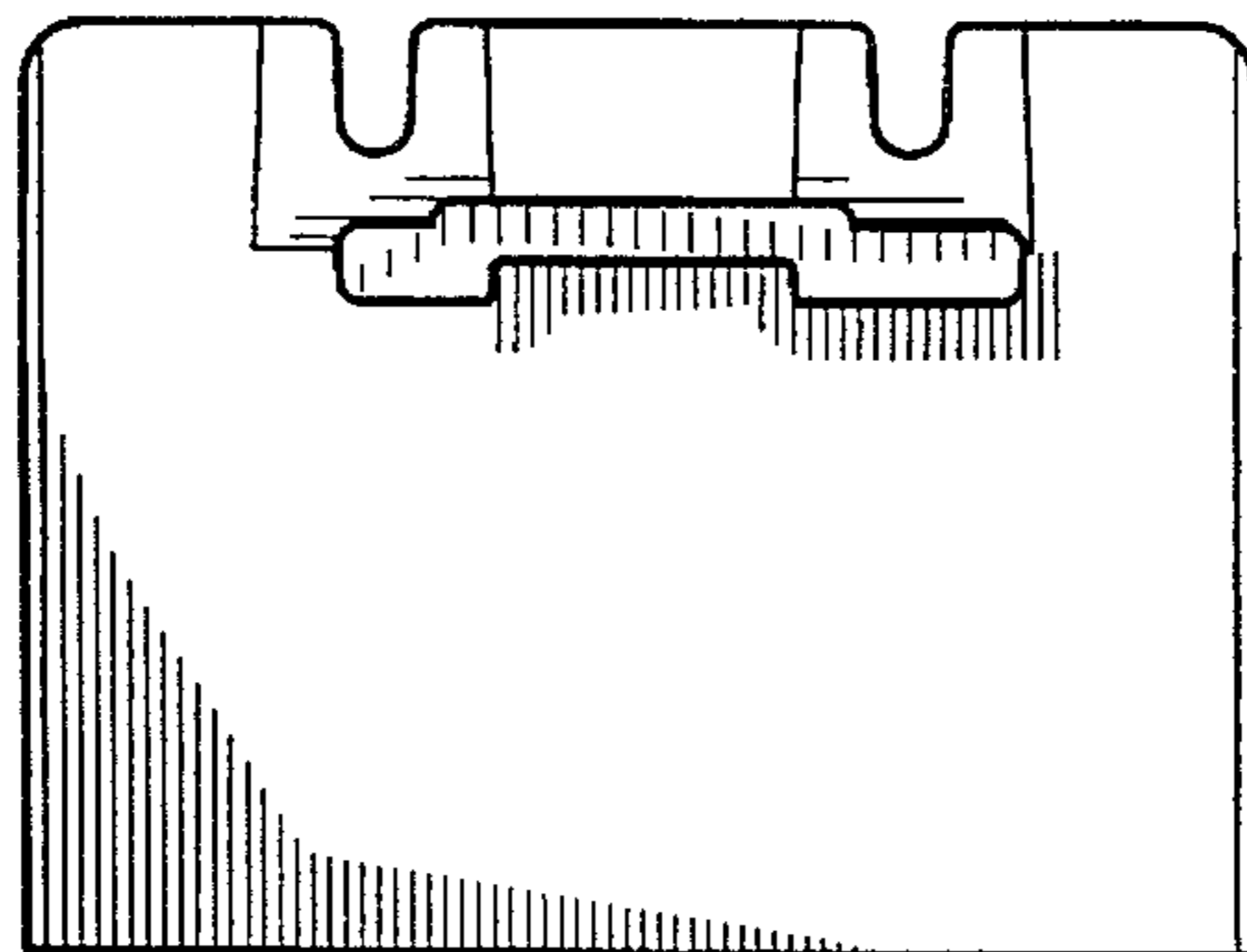


**FIG. 1**

*FIG. 3*



*FIG. 2*



*FIG. 4*

