



US00D378914S

United States Patent [19]

[11] Patent Number: **Des. 378,914**

Smith et al.

[45] Date of Patent: ****Apr. 22, 1997**

[54] **INDUSTRIAL-RATED CIRCUIT BREAKER**

Primary Examiner—Joel Sincavage
Attorney, Agent, or Firm—Richard A. Menelly

[75] Inventors: **James I. Smith**, Avon; **William H. Calder**, Plainville; **Karen B. Lausier**, Terryville, all of Conn.; **Roy Watson**, Pittsfield, Mass.

[57] **CLAIM**

The ornamental design for an industrial-rated circuit breaker, as shown and described.

[73] Assignee: **General Electric Company**, New York, N.Y.

DESCRIPTION

[**] Term: **14 Years**

FIG. 1 is a front plan of the ornamental industrial-rated circuit breaker according to the invention; FIGS. 2 and 3 are opposing side views of the industrial-rated circuit breaker of FIG. 1; FIGS. 4 and 5 are bottom and top views respectively of the industrial-rated circuit breaker of FIG. 1; FIG. 6 is a rear view of the industrial-rated circuit breaker of FIG. 1; FIG. 7 is a front and upper left perspective view of the industrial-rated circuit breaker of FIG. 1; and, FIG. 8 is a rear and lower left perspective of the industrial-rated circuit breaker of FIG. 1.

[21] Appl. No.: **22,784**

[22] Filed: **May 11, 1994**

[52] U.S. Cl. **D13/160**

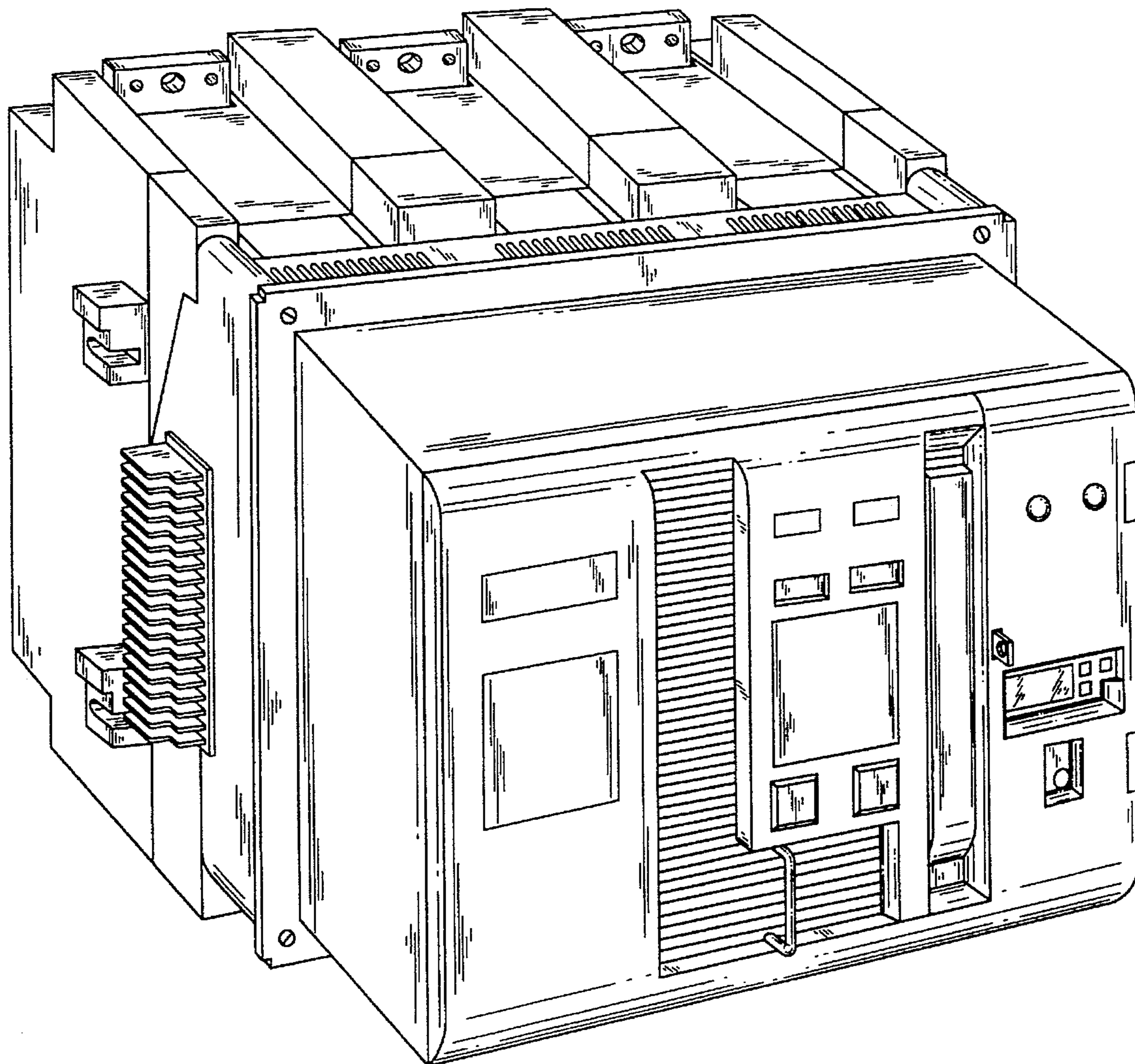
[58] Field of Search D13/160; 335/167, 335/172, 202, 673

[56] **References Cited**

U.S. PATENT DOCUMENTS

D. 347,623	6/1994	Suzuki et al.	D13/160
4,958,135	9/1990	Baginski et al.	361/673 X

1 Claim, 5 Drawing Sheets



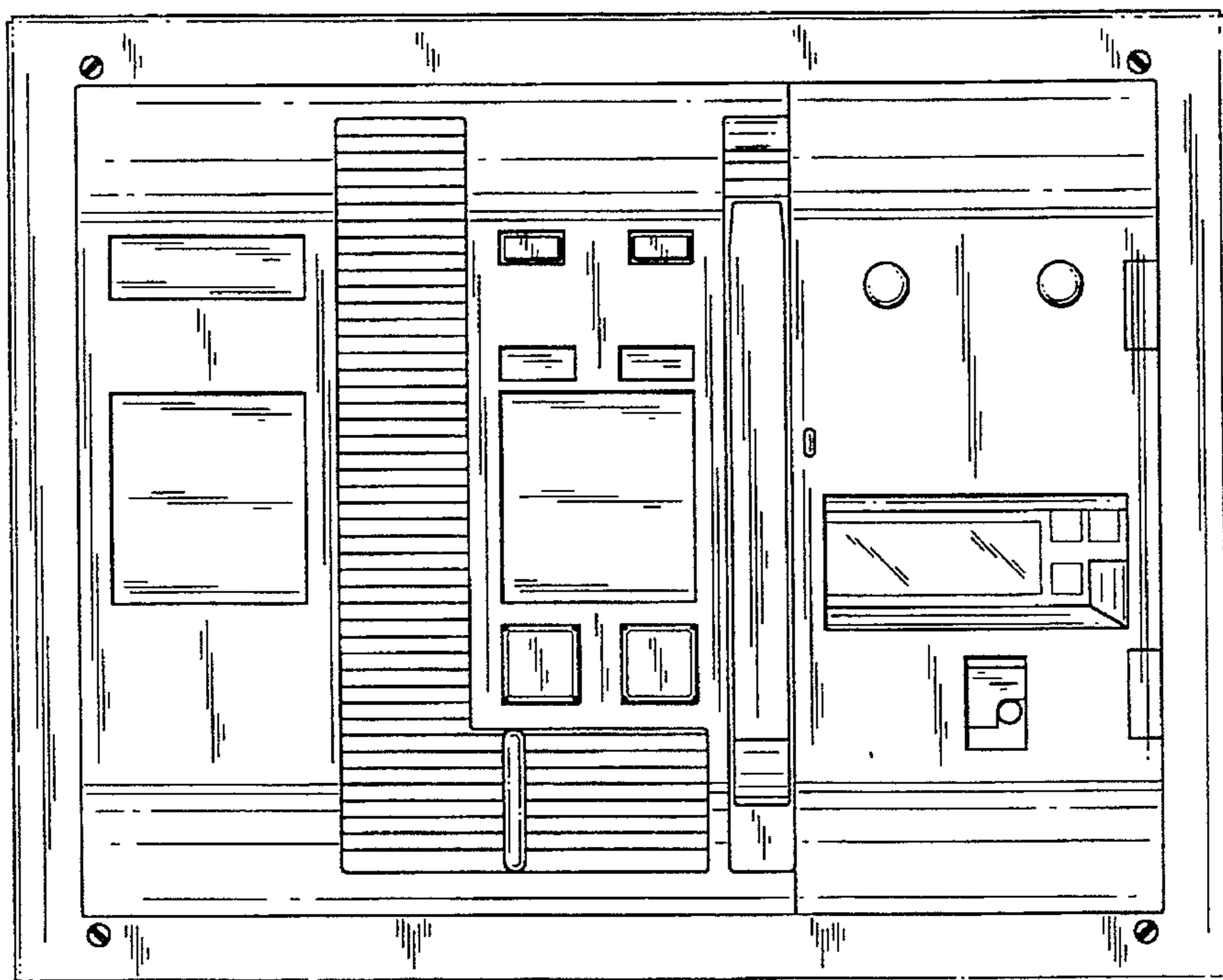


FIG-1

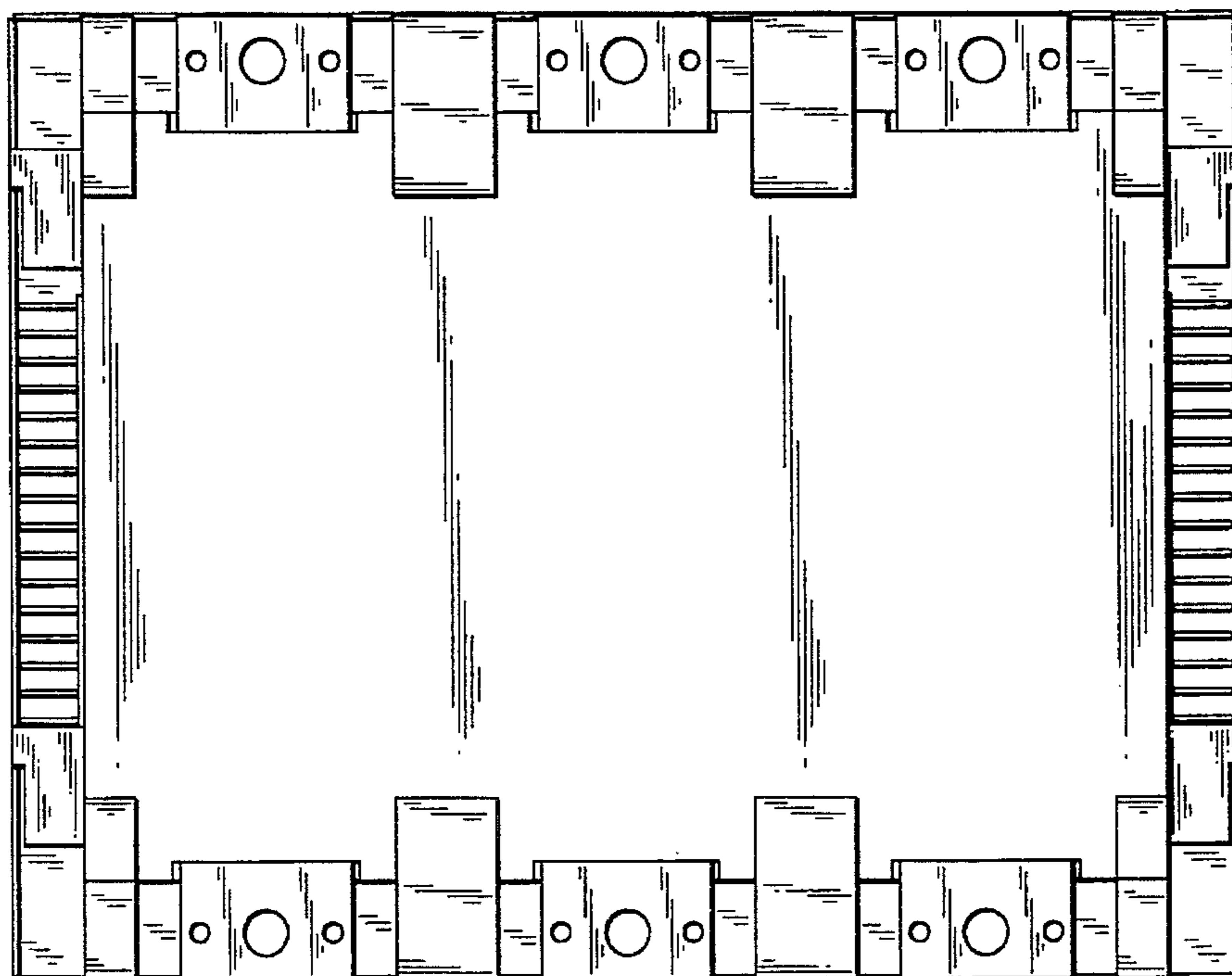


FIG-6

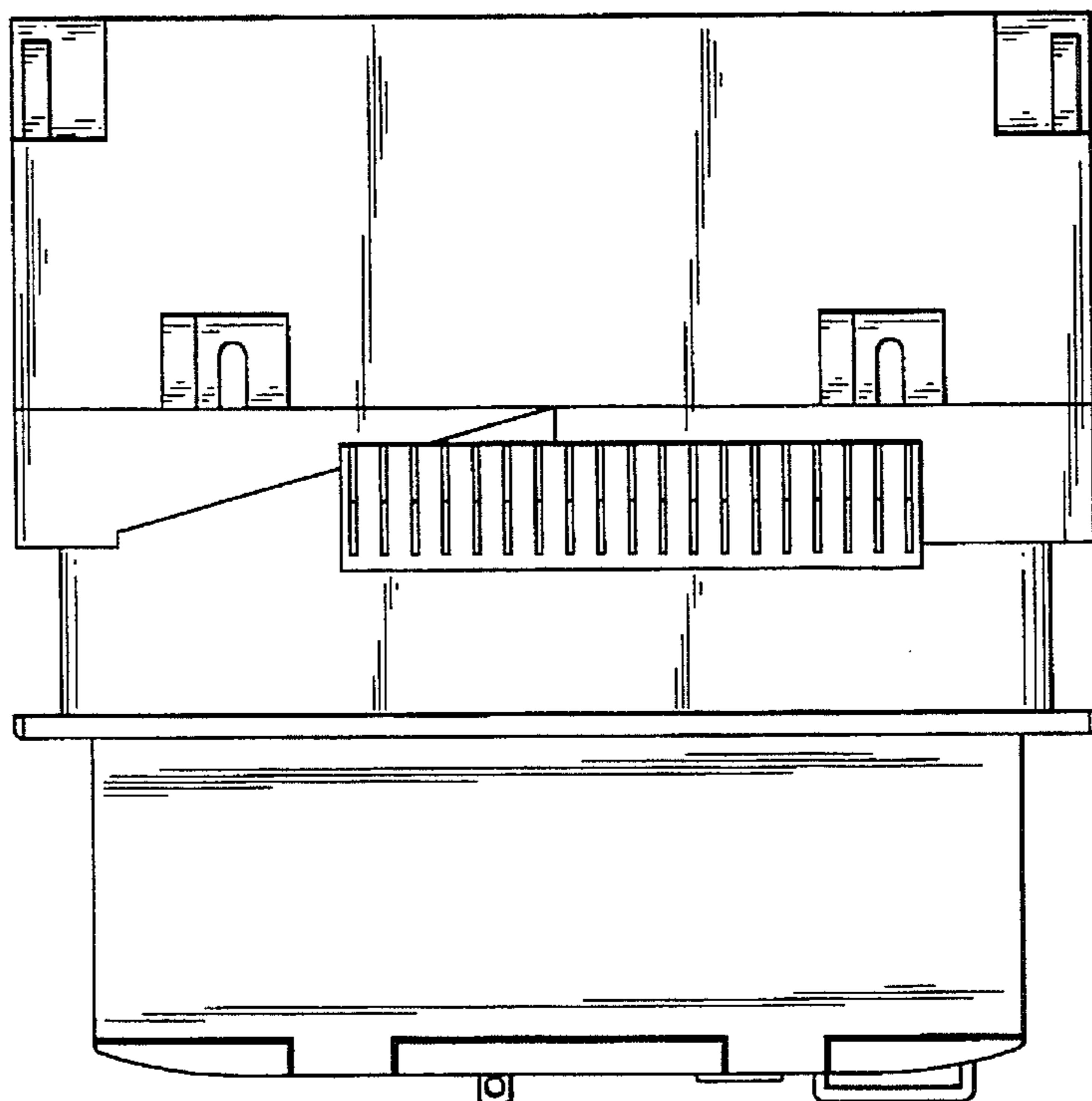


FIG-3

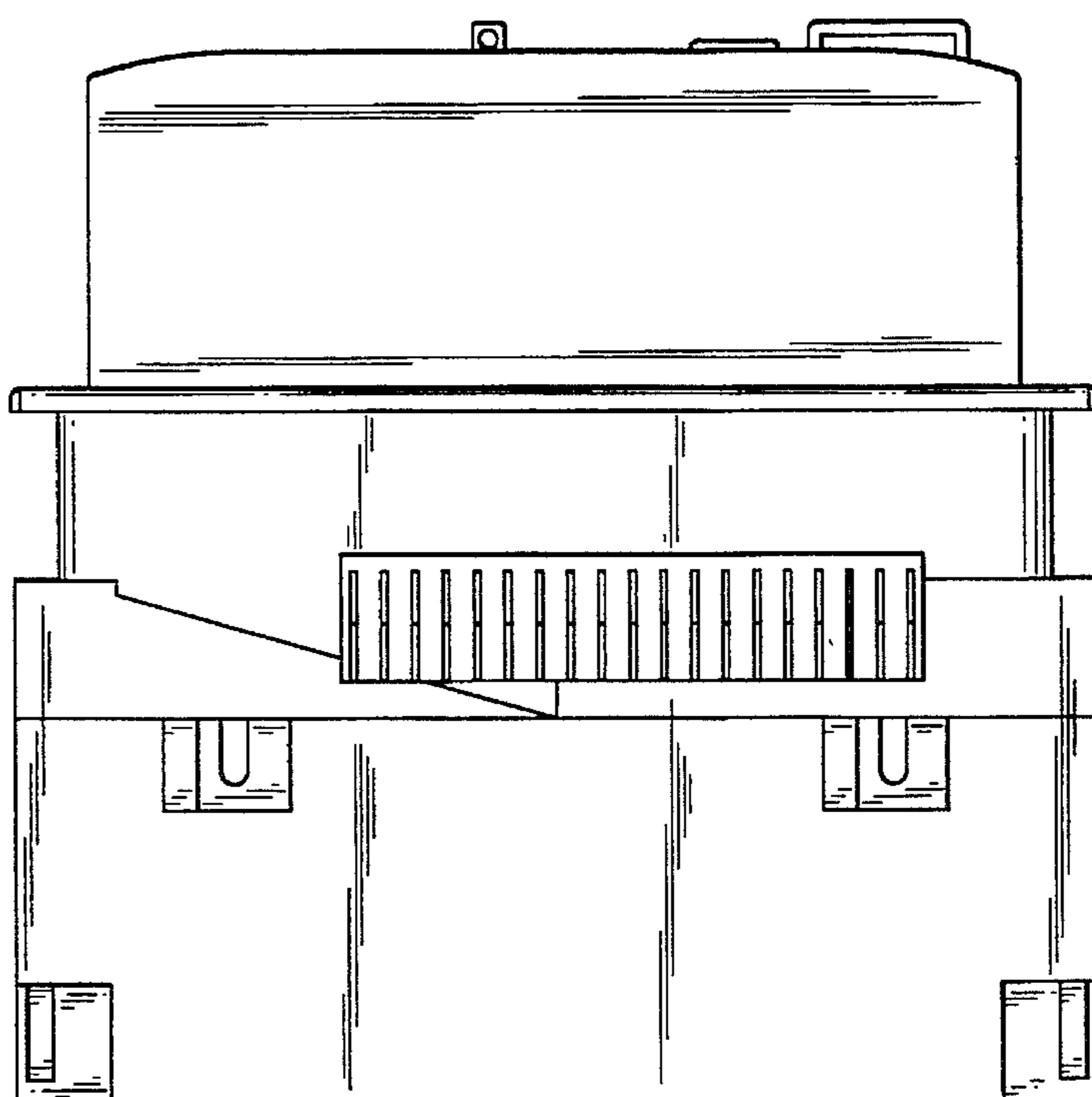


FIG-2

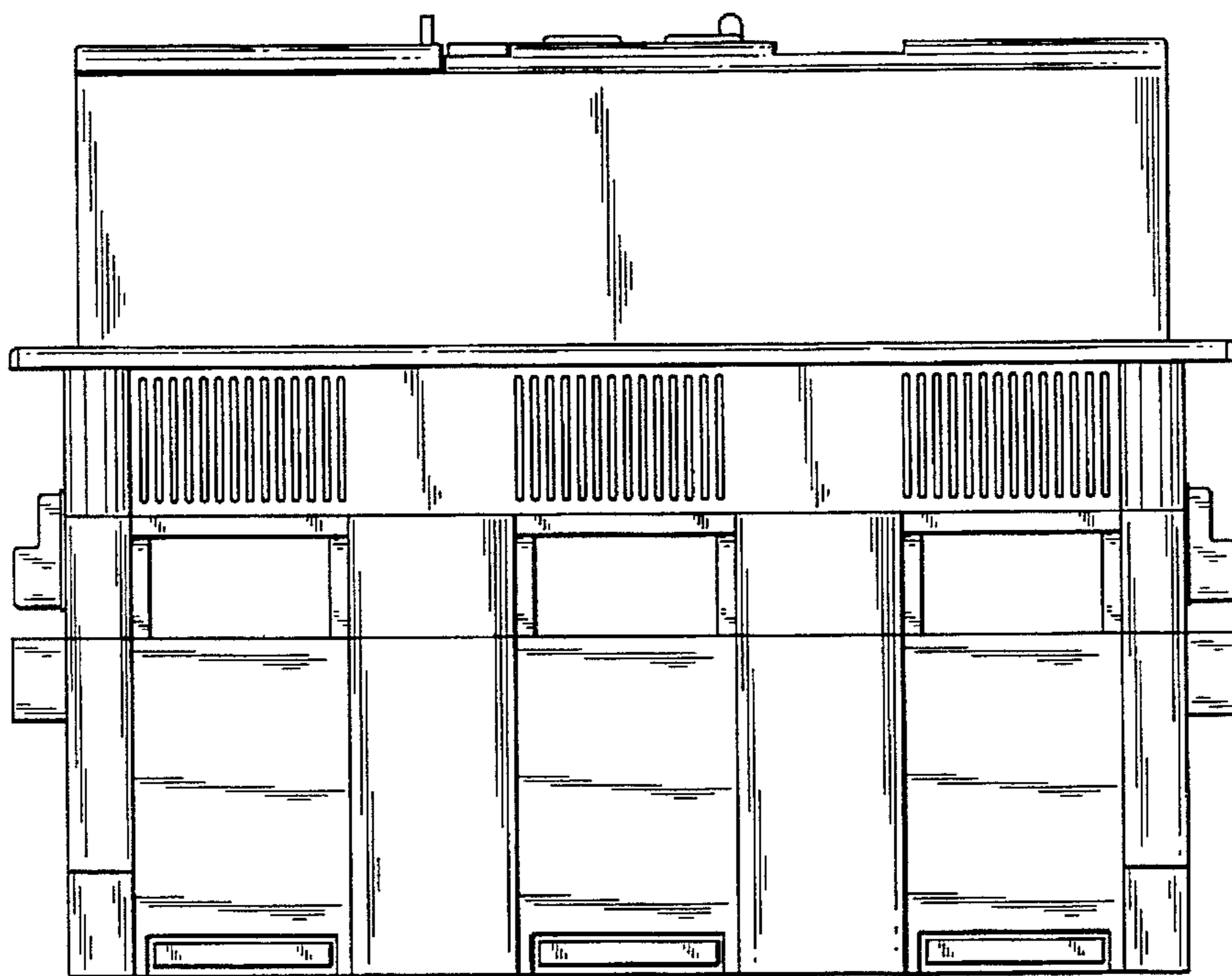


FIG-5

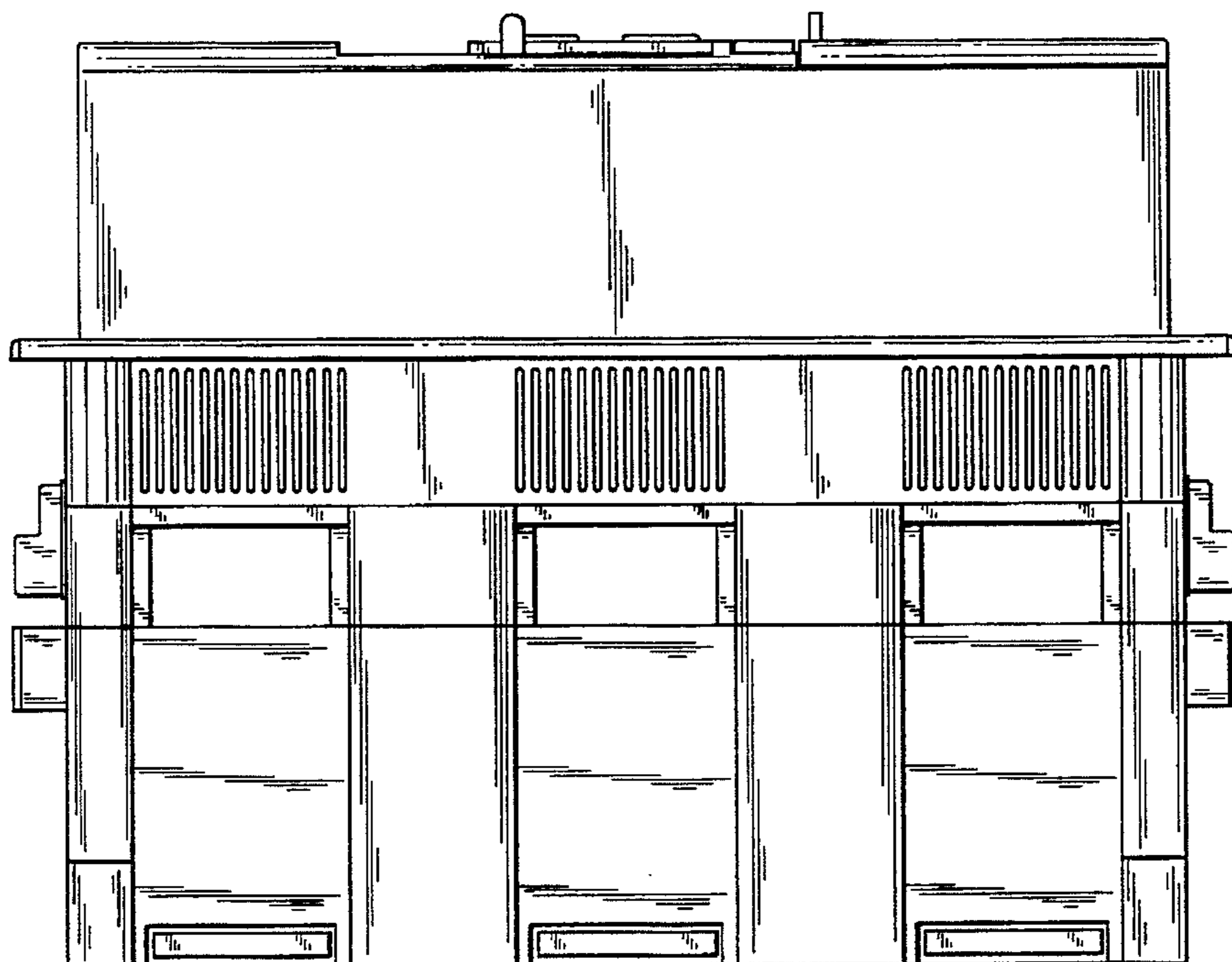


FIG-4

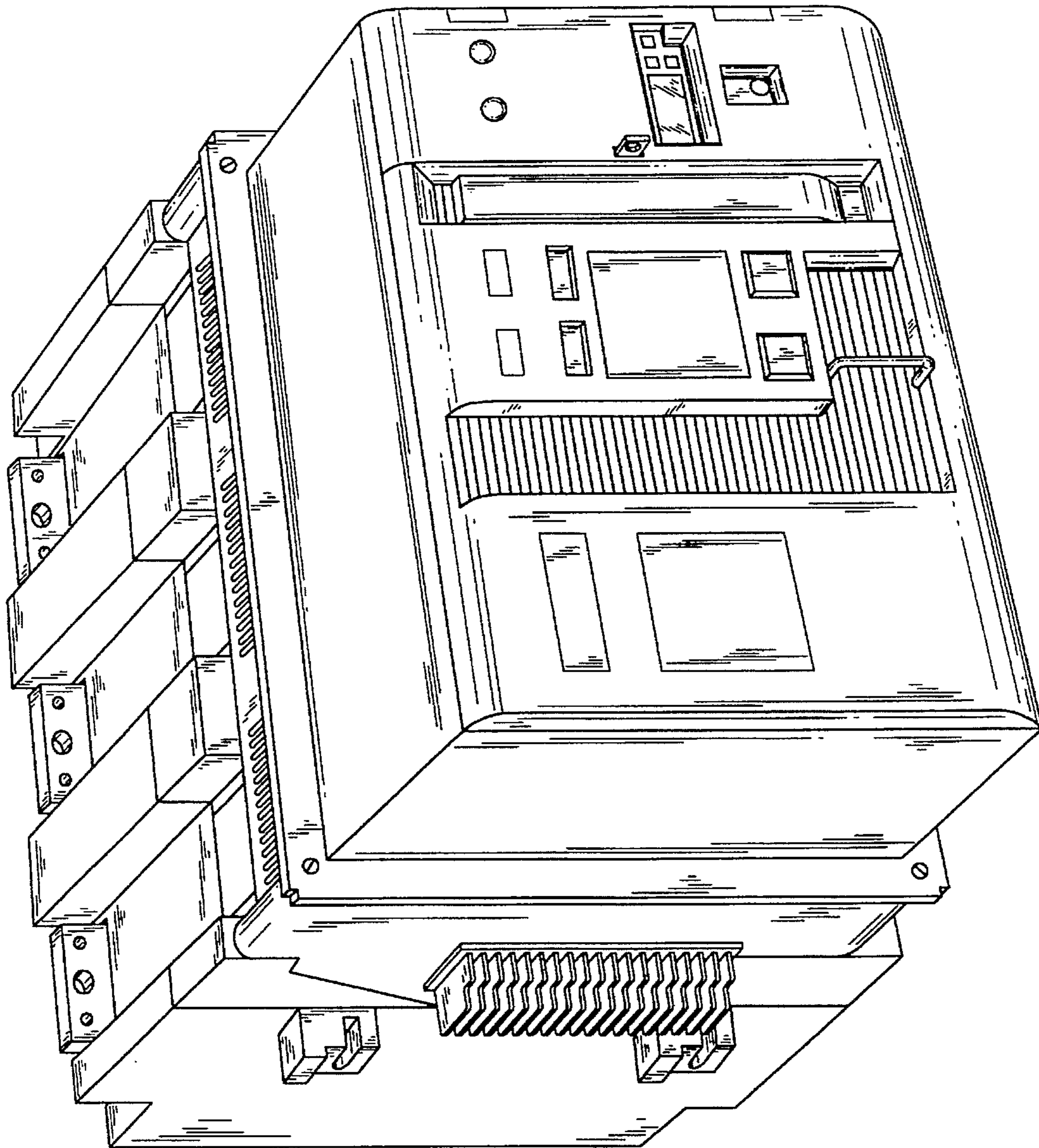


FIG-7

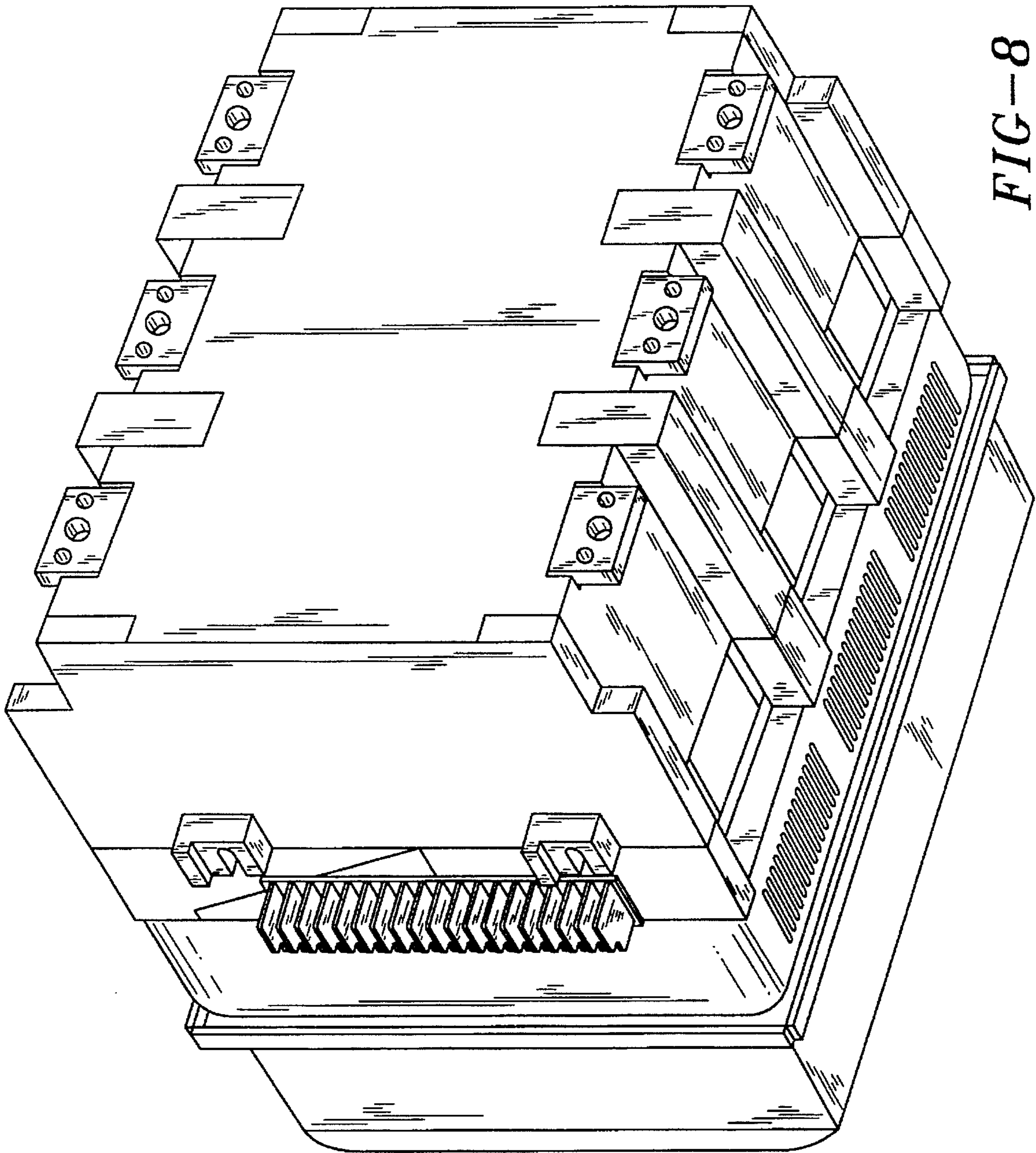


FIG-8