



US00D378912S

United States Patent [19]
Oikawa

[11] **Patent Number: Des. 378,912**

[45] **Date of Patent: **Apr. 22, 1997**

[54] **CONNECTOR**

[75] **Inventor: Akitoshi Oikawa, Tokyo, Japan**

[73] **Assignee: Sega Enterprises, Ltd., Tokyo, Japan**

[**] **Term: 14 Years**

[21] **Appl. No.: 44,472**

[22] **Filed: Sep. 25, 1995**

[52] **U.S. Cl. D13/147**

[58] **Field of Search D13/146, 147;
439/350, 353, 358, 465, 493, 620**

[56] **References Cited**

U.S. PATENT DOCUMENTS

4,981,447	1/1991	Ichitsubo	439/607
5,364,291	11/1994	Hashiguchi	439/607
5,435,744	7/1995	Derstine et al.	439/352
5,518,421	5/1996	Davis	439/607

*Primary Examiner—Joel Sincavage
Attorney, Agent, or Firm—Ladas & Parry*

[57] **CLAIM**

The ornamental design for a connector, as shown and described.

DESCRIPTION

FIG. 1 is a front view of a connector showing my new design;

FIG. 2 is a rear view thereof;

FIG. 3 is a top view thereof;

FIG. 4 is a bottom view thereof;

FIG. 5 is a right side view thereof, the left side view being a mirror image of the right side; and,

FIG. 6 is an enlarged vertical sectional view thereof taken along line 6—6 the inside mechanism being omitted.

1 Claim, 2 Drawing Sheets

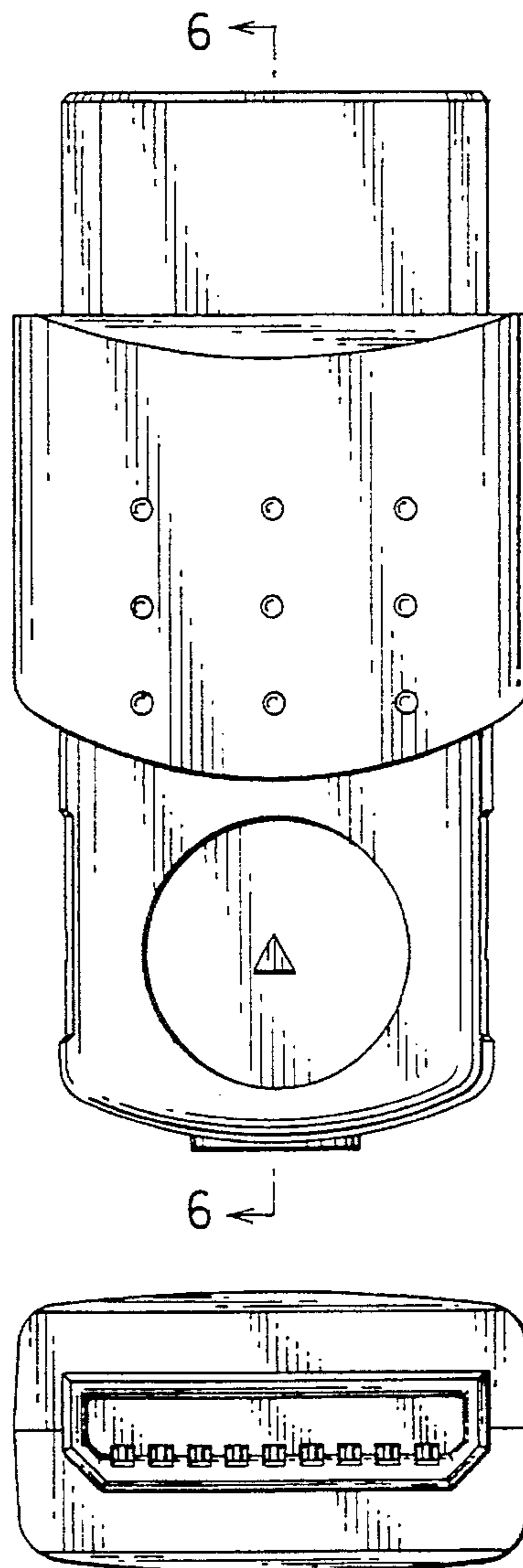


FIG. 1

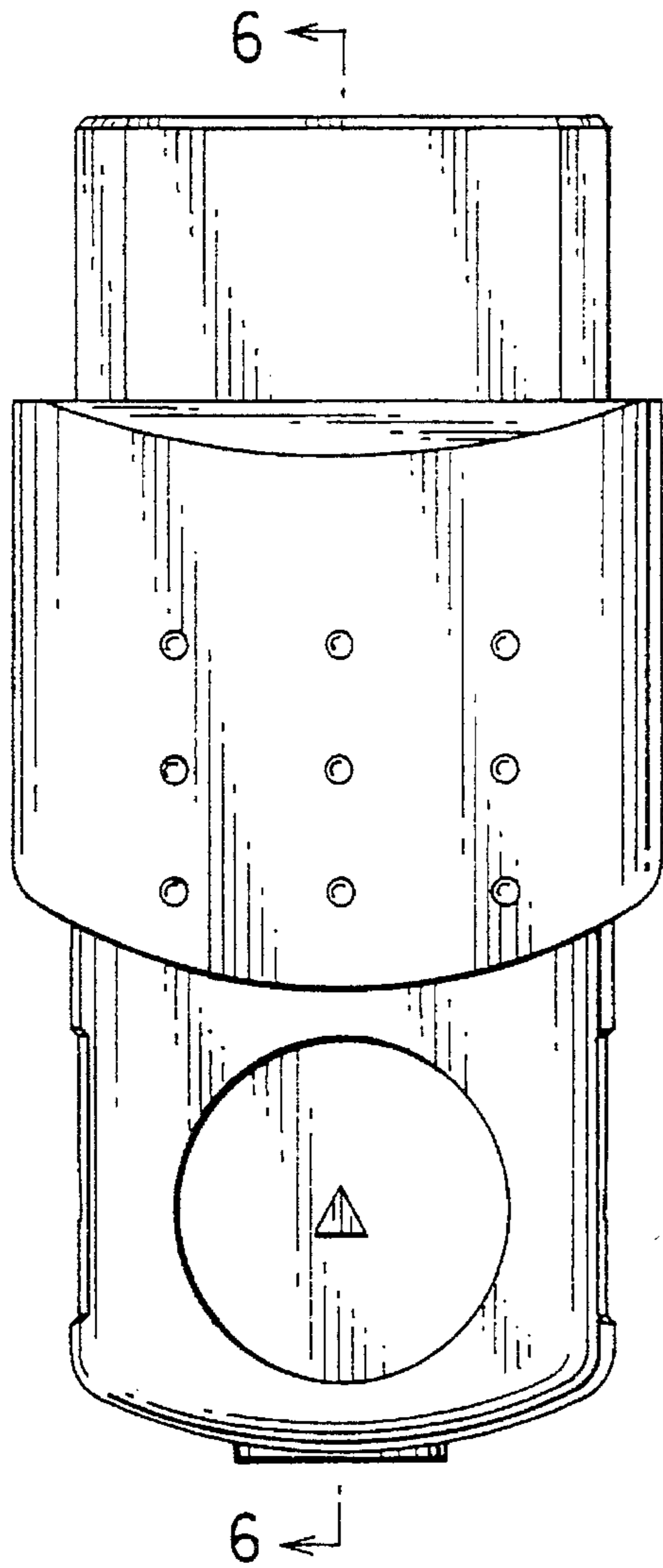


FIG. 2

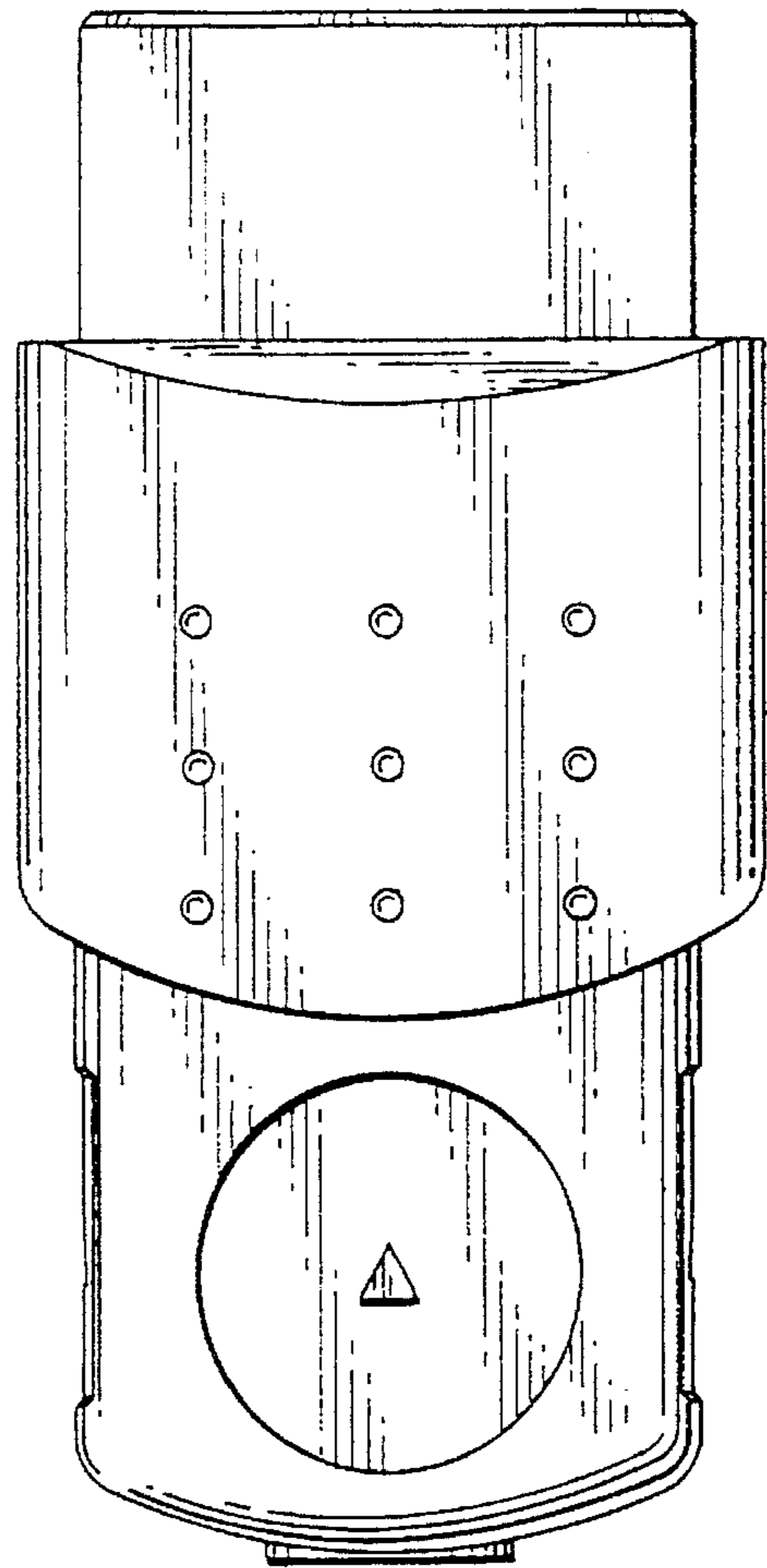


FIG. 3

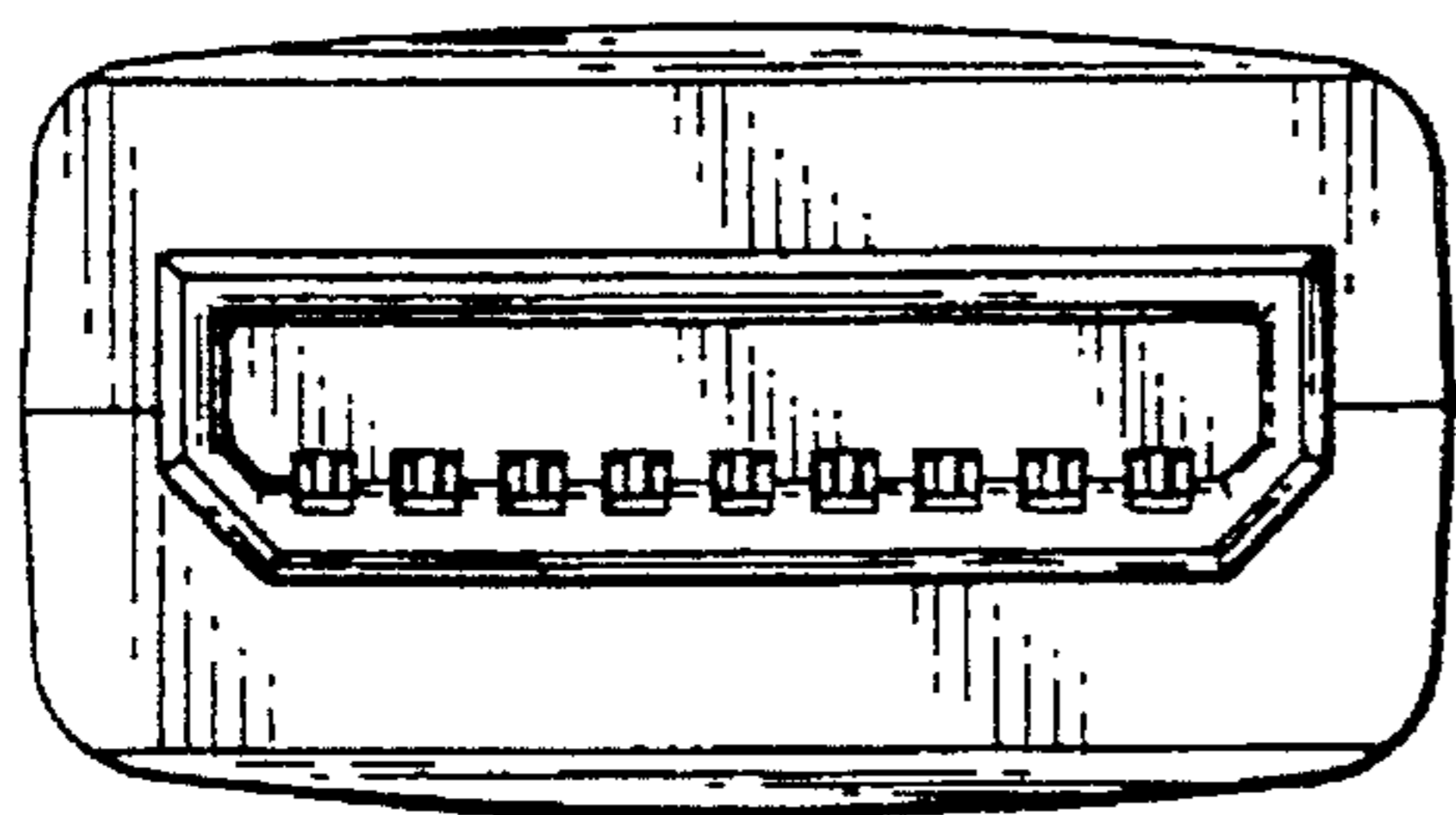


FIG. 4

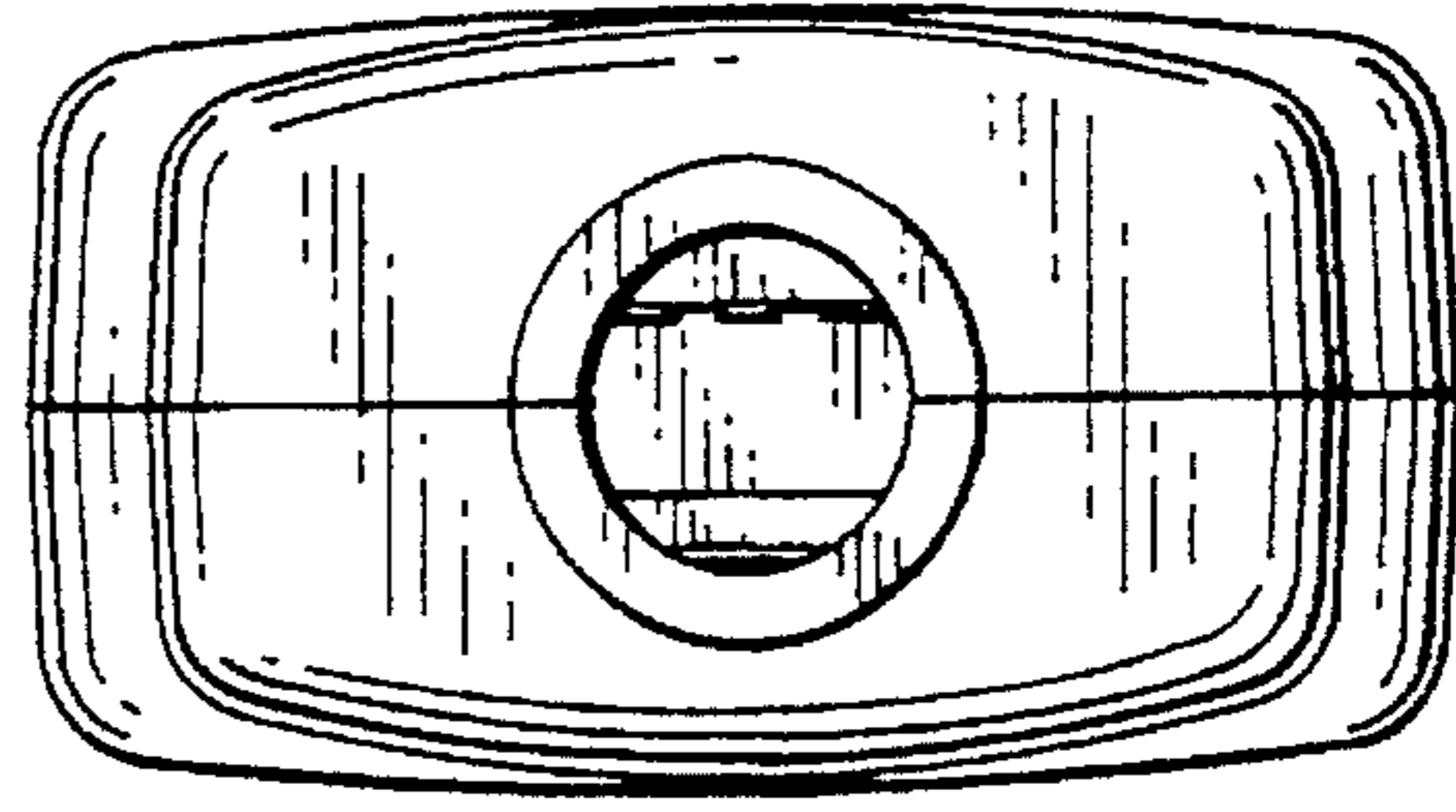


FIG. 5

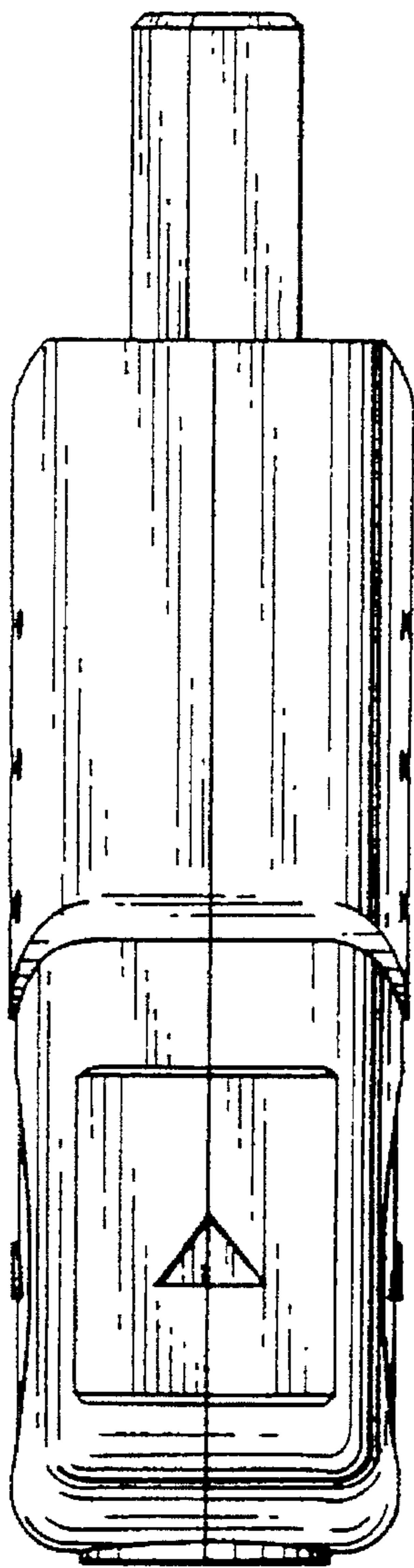


FIG. 6

