



US00D378908S

# United States Patent [19]

Courtney et al.

[11] Patent Number: **Des. 378,908**

[45] Date of Patent: **\*\*Apr. 22, 1997**

[54] **COMBINED CHILD STROLLER AND INFANT CARRIER**

D. 363,260 10/1995 Huang ..... D12/129  
5,454,584 10/1995 Haut et al. .... 280/650

[75] Inventors: **Steve Courtney**, Troy; **David J. Stroud**, Dayton, both of Ohio; **Jerry Drobinski**, Reding, Pa.

*Primary Examiner*—Kay H. Chin

[73] Assignee: **Lisco, Inc.**, Tampa, Fla.

### [57] CLAIM

[\*\*] Term: **14 Years**

The ornamental design for a combined child stroller and infant carrier, as shown and described.

[21] Appl. No.: **46,375**

### DESCRIPTION

[22] Filed: **Nov. 13, 1995**

[52] U.S. Cl. .... **D12/129**

[58] **Field of Search** ..... D12/128, 129;  
280/30, 642, 643, 644, 647, 648, 650

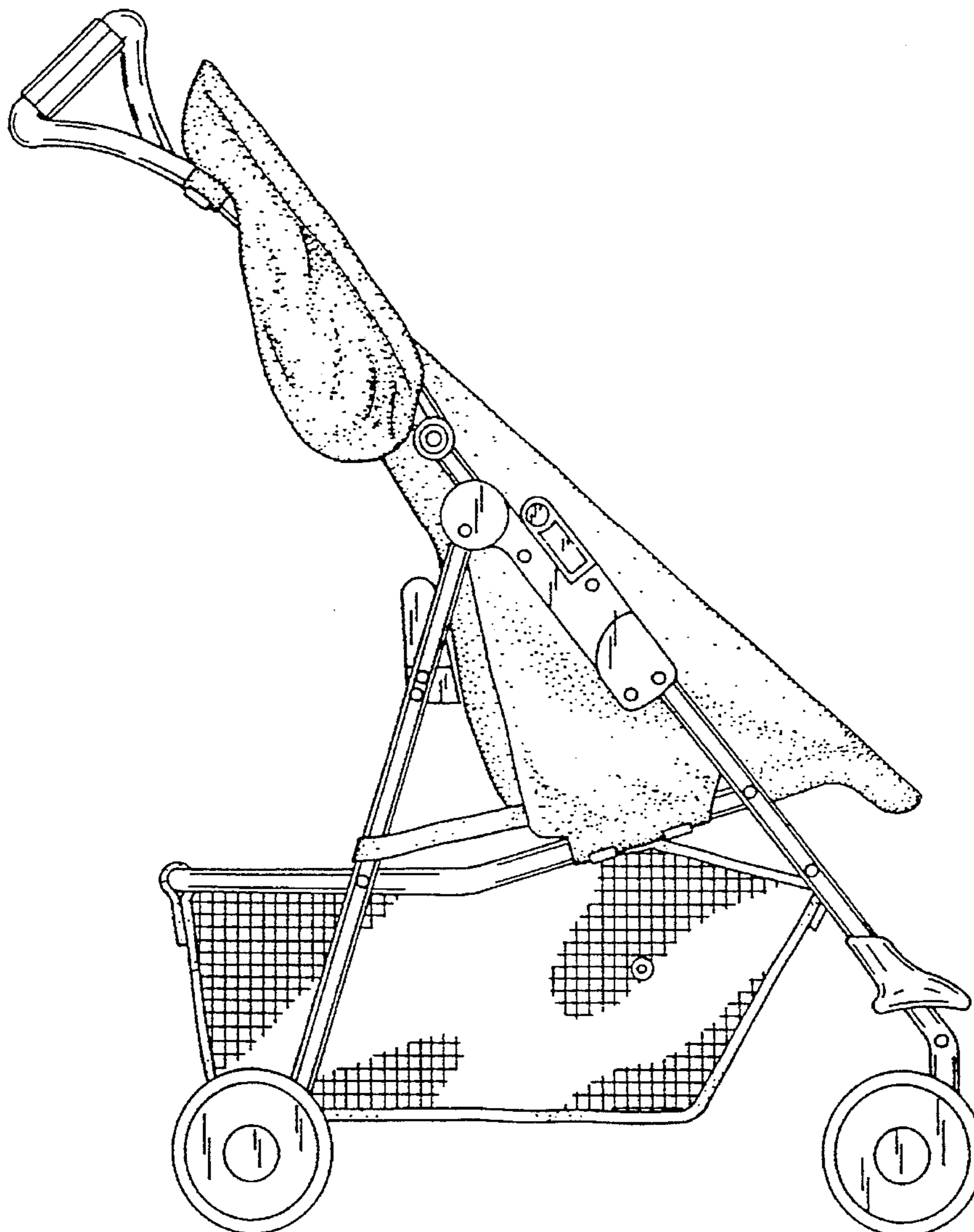
FIG. 1 is a front view of a combined child stroller and infant carrier showing our new design;  
FIG. 2 is a right side view thereof with the top canopy in folded condition;  
FIG. 3 is a rear view thereof with one side of the rear canopy in unattached condition;  
FIG. 4 is a right side view thereof;  
FIG. 5 is a top view thereof; and,  
FIG. 6 is a bottom view thereof.

### [56] References Cited

#### U.S. PATENT DOCUMENTS

D. 362,832 10/1995 Haut et al. .... D12/129

**1 Claim, 3 Drawing Sheets**



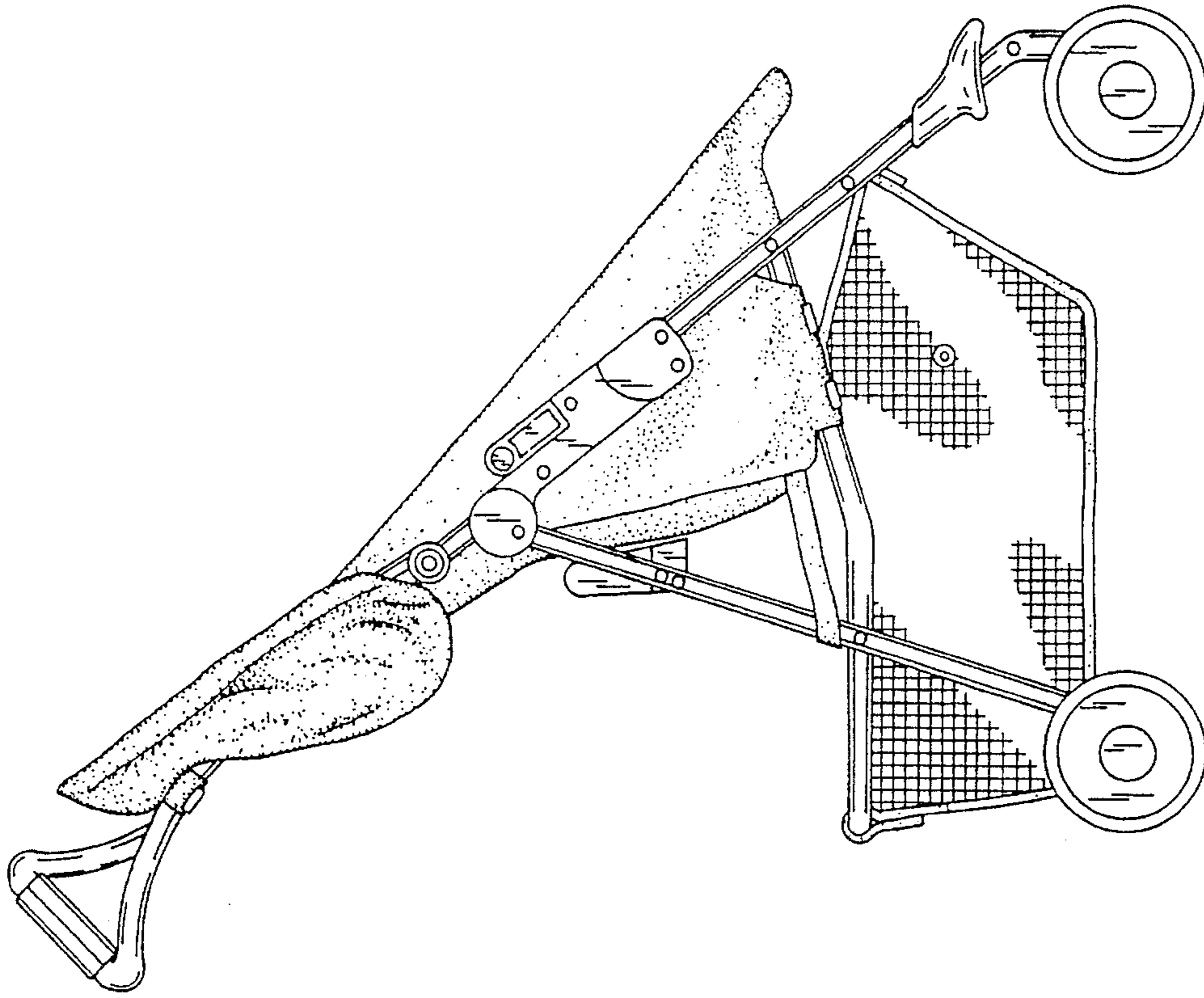


FIG. 2

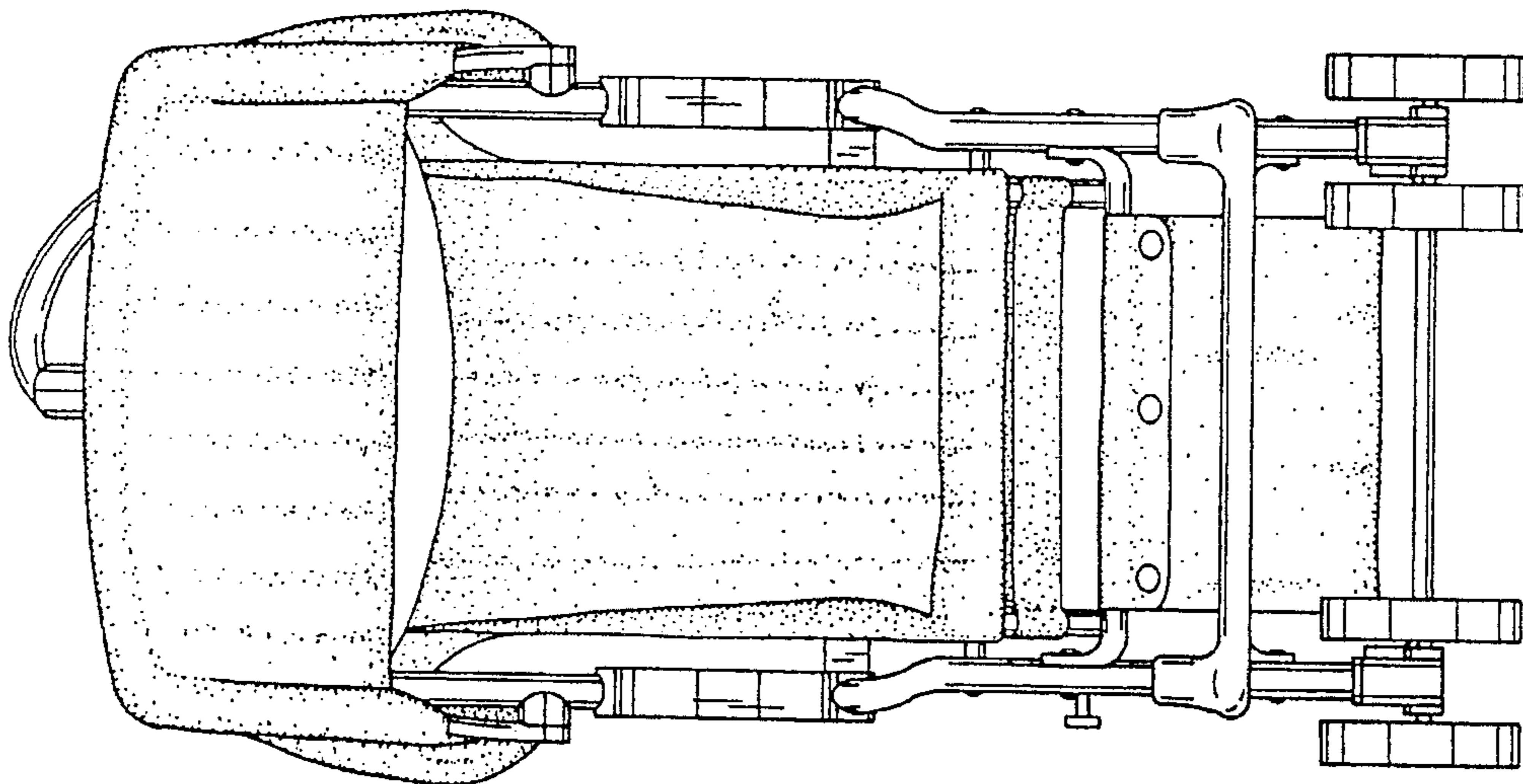


FIG. 1

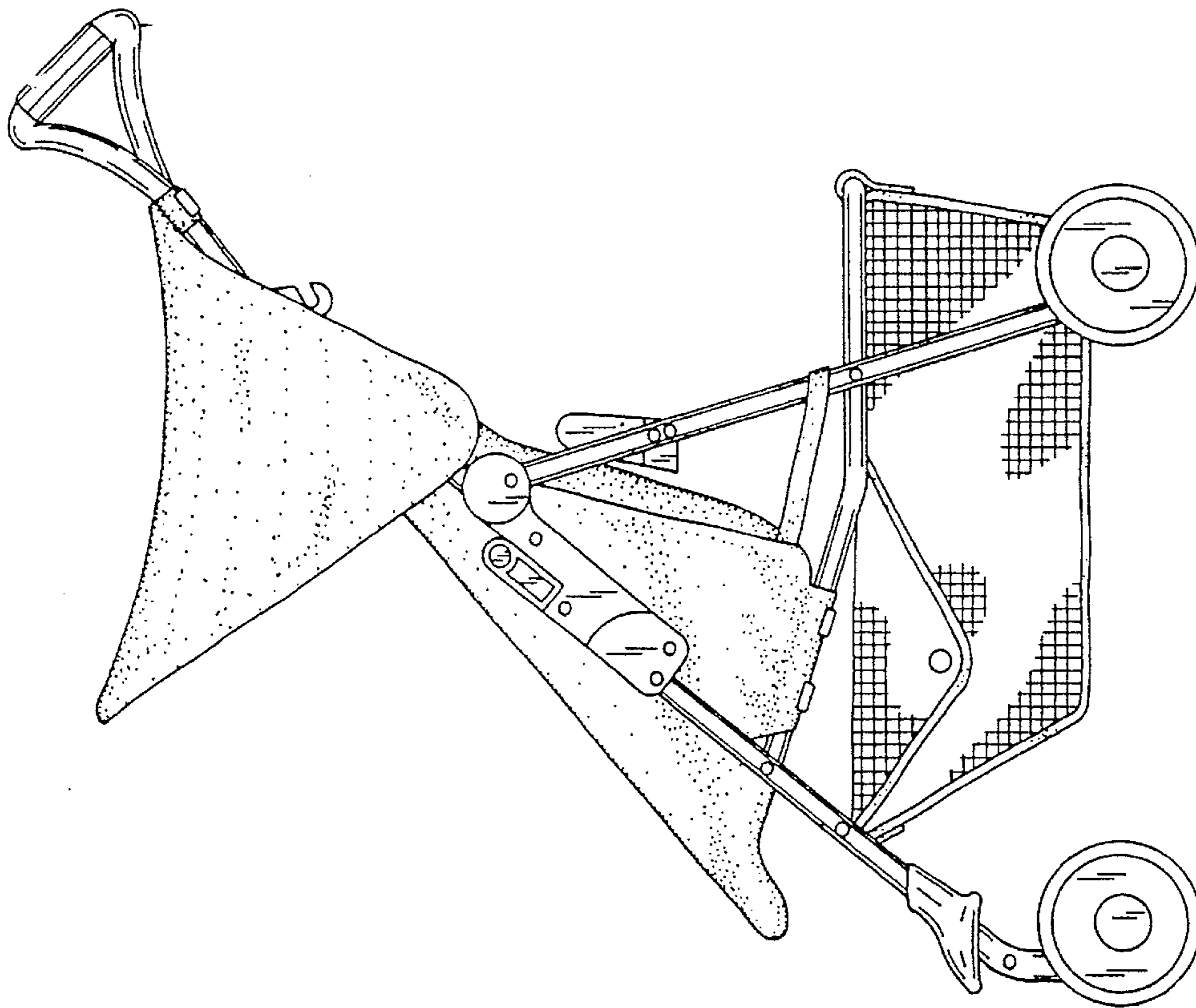


FIG. 4

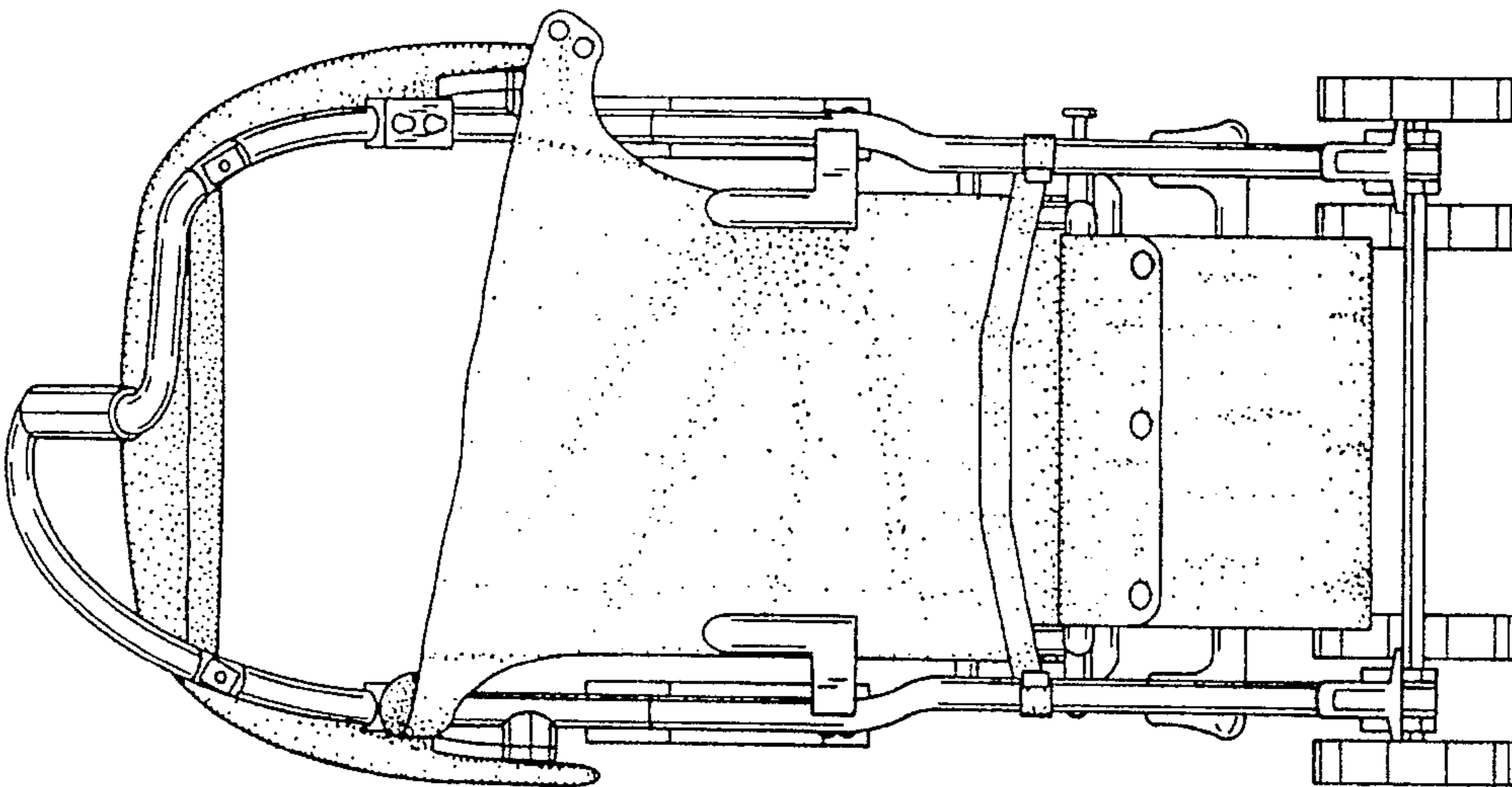


FIG. 3

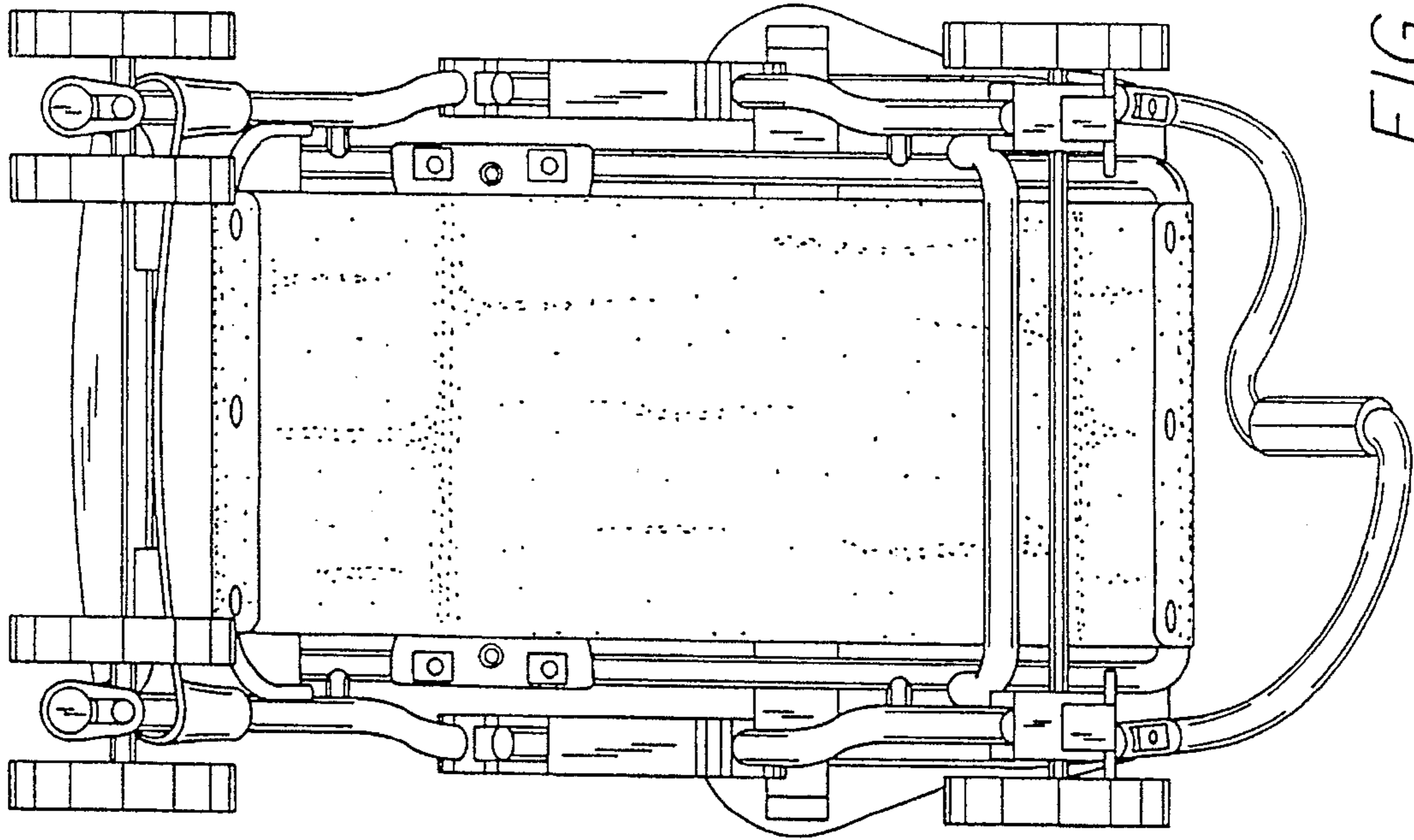


FIG. 6

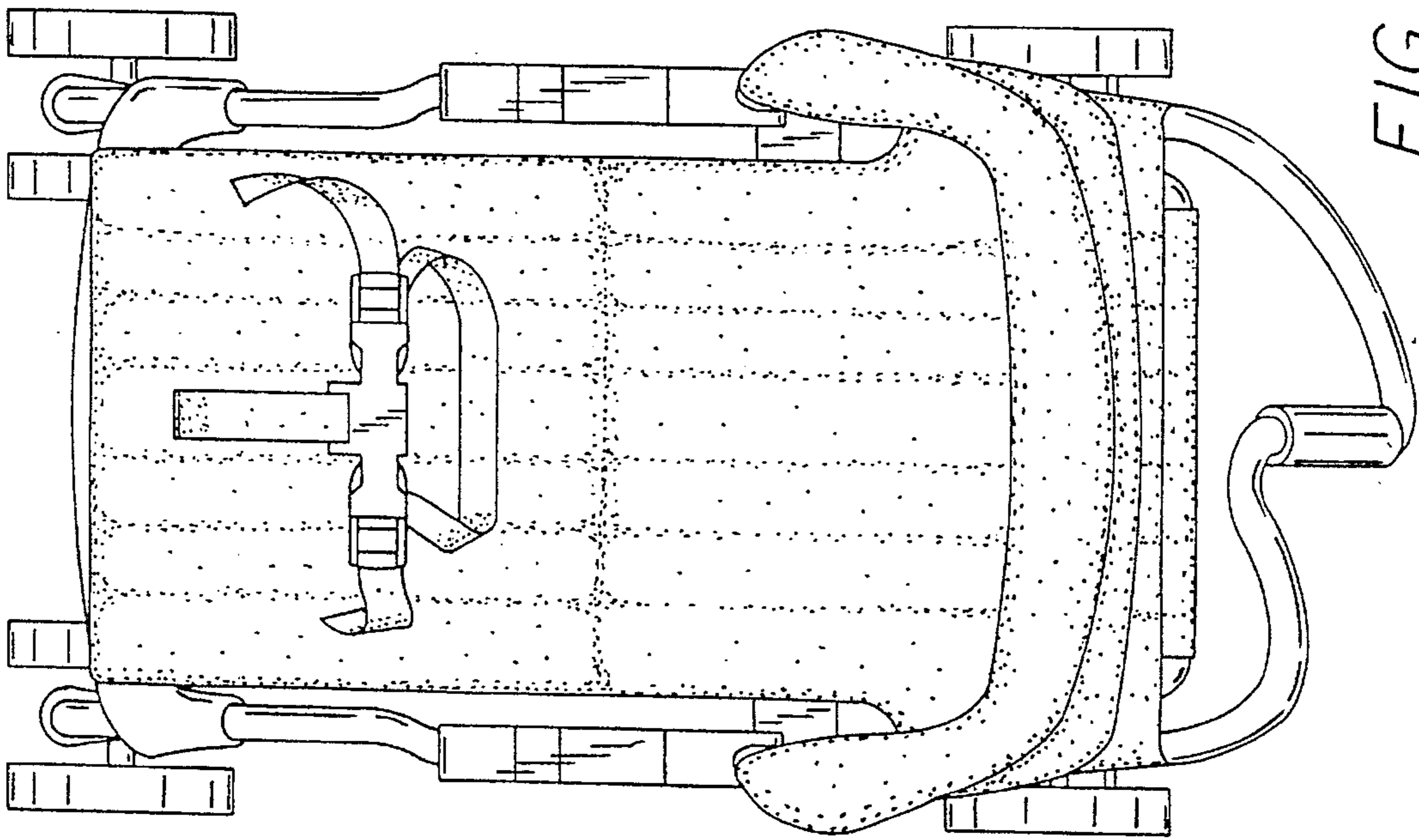


FIG. 5