



US00D378903S

United States Patent [19]

[11] Patent Number: **Des. 378,903**

Feliciano

[45] Date of Patent: ****Apr. 22, 1997**

[54] **MULTI-PURPOSE GARMENT PIN**

2,228,686 1/1941 Bezault 63/1.1

[76] Inventor: **Yvonne Feliciano**, 296 Nichols Ave.,
Brooklyn, N.Y. 11208

Primary Examiner—Nelson C. Holtje

Assistant Examiner—Caron D. Veynar

Attorney, Agent, or Firm—David L. Baker; Rhodes &
Ascolillo

[**] Term: **14 Years**

[21] Appl. No.: **50,775**

[57] **CLAIM**

[22] Filed: **Feb. 12, 1996**

The ornamental design for a multi-purpose garment pin, as
shown and described.

[52] U.S. Cl. **D11/44; D11/40; D11/43;**
D11/45; D11/50; D11/70

DESCRIPTION

[58] **Field of Search** D11/1, 2, 3, 4,
D11/6, 7, 8, 9, 10, 11, 13, 14, 40, 41, 43,
44, 45, 48, 50, 70, 79, 81, 82; 63/1.1, 2,
3, 4, 18, 20, 21, 23, DIG. 3

FIG. 1. is a front elevational view of a multi-purpose
garment pin showing my new design therefor;

FIG. 2 is a top plan view;

FIG. 3 is a rear elevational view;

FIG. 4 is a bottom plan view;

FIG. 5 is a left side elevational view;

FIG. 6 is a right side elevational view; and,

FIG. 7 is a view of the inner face of one of the end caps
shown separately to reveal the design features thereof, it
being understood that the opposite end cap is the same.

[56] **References Cited**

U.S. PATENT DOCUMENTS

D. 10,842	9/1878	Howard	D11/44
D. 10,914	11/1878	Howard	D11/44
D. 38,421	1/1907	Wilkins	D11/81 X
D. 254,273	2/1980	Lawrence	D11/11 X
D. 270,145	8/1983	Bruce	D11/82
D. 283,018	3/1986	Ohtake	D11/12

1 Claim, 3 Drawing Sheets

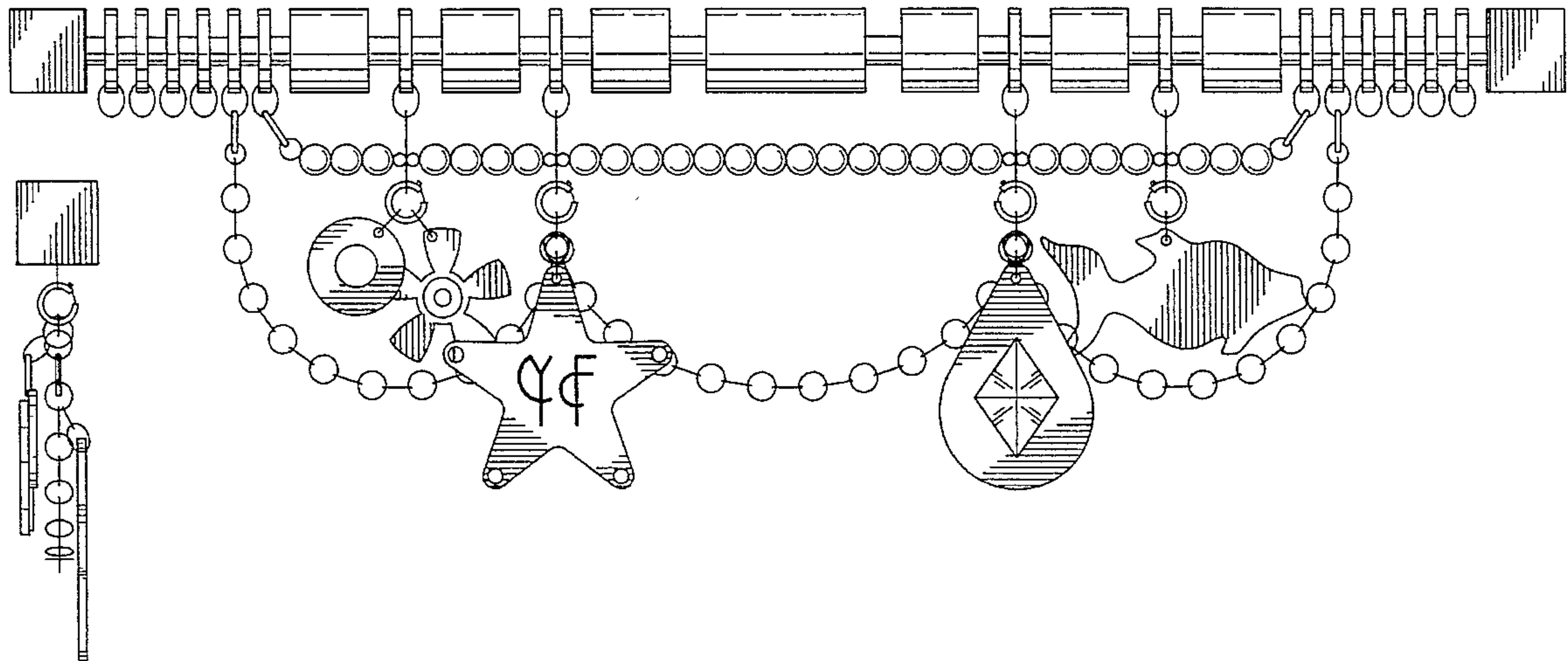


FIG. 1

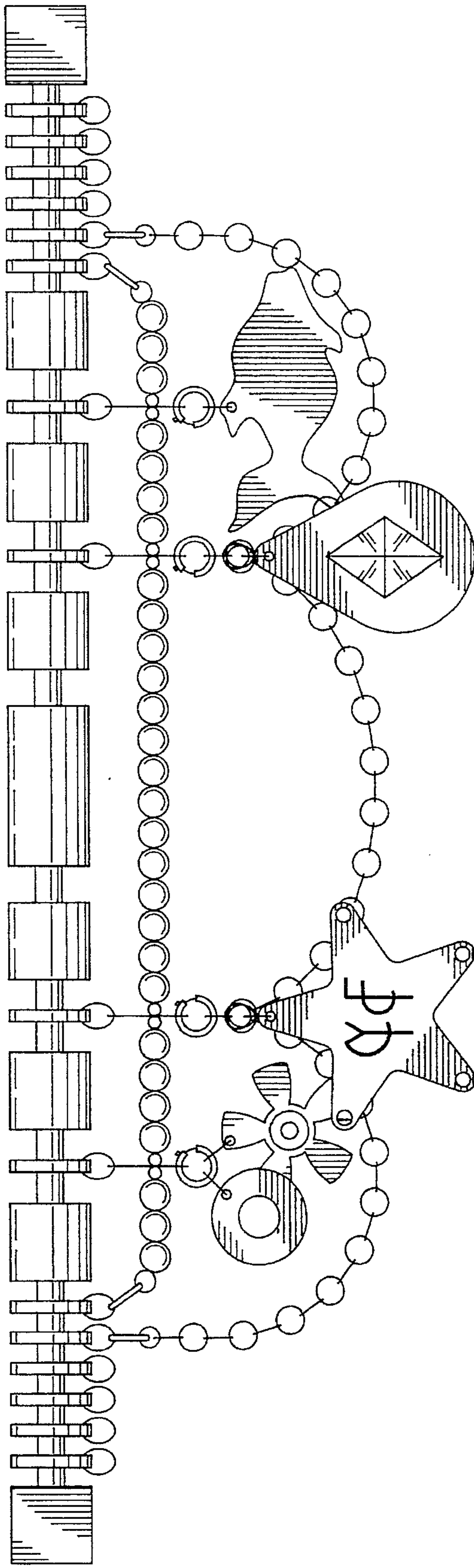


FIG. 2

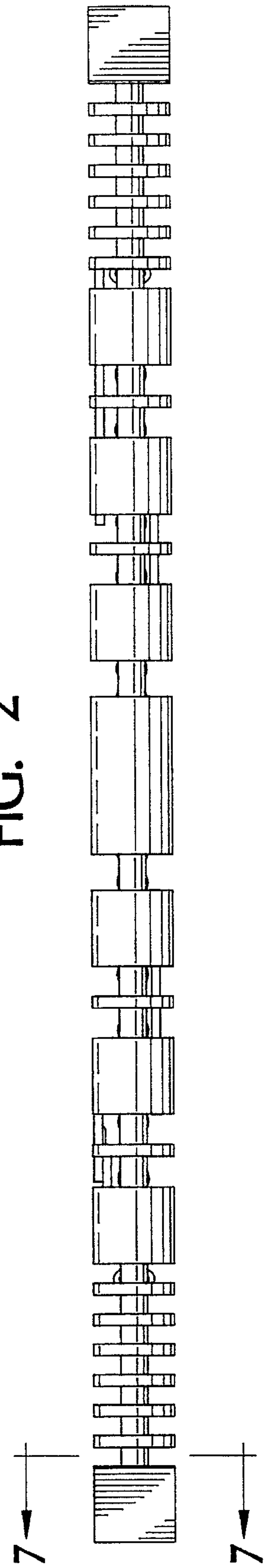


FIG. 3

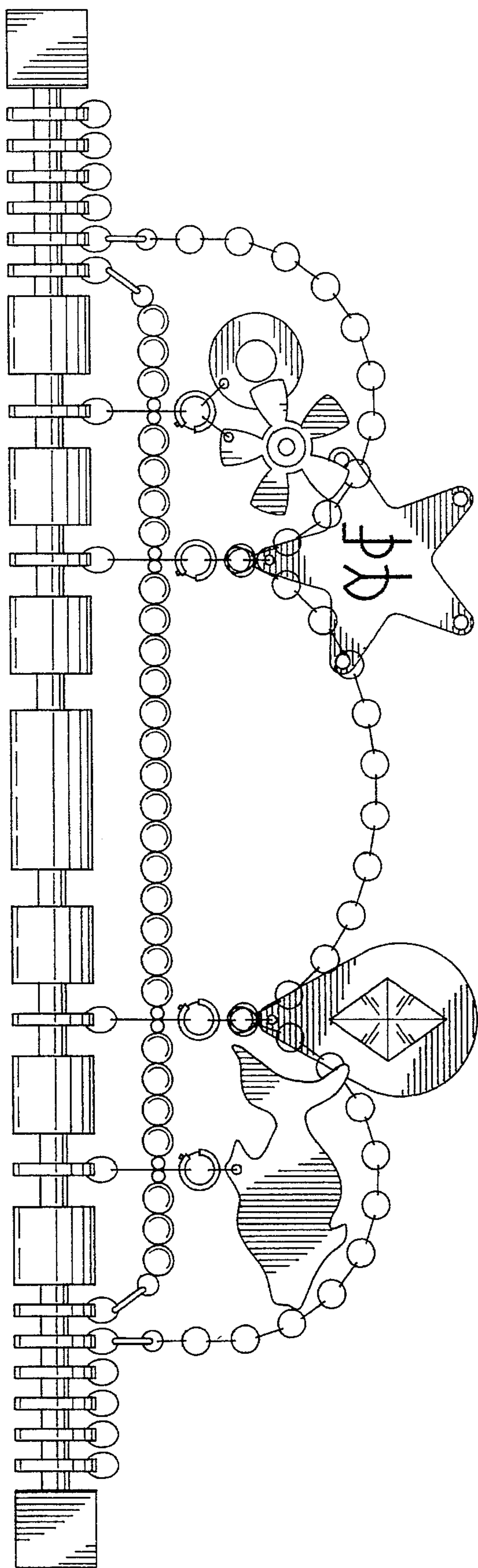


FIG. 4

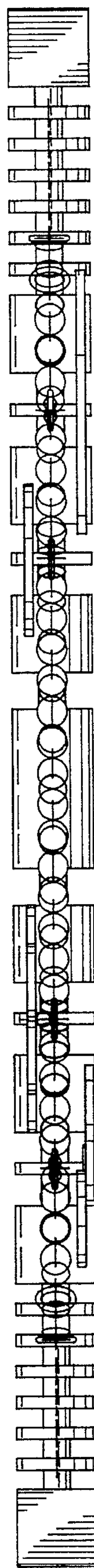


FIG. 7

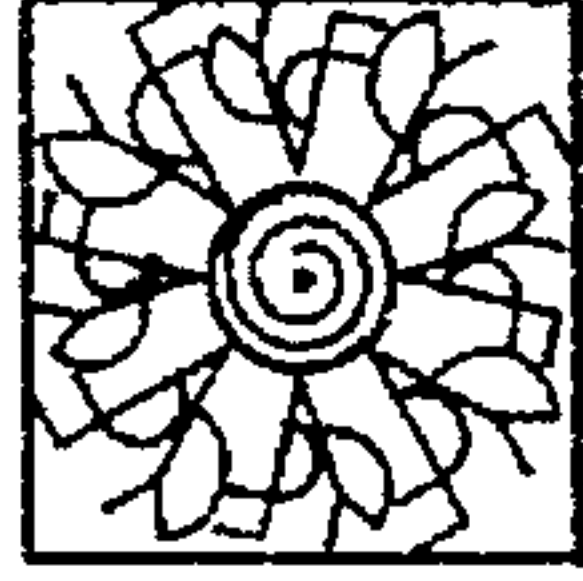


FIG. 6

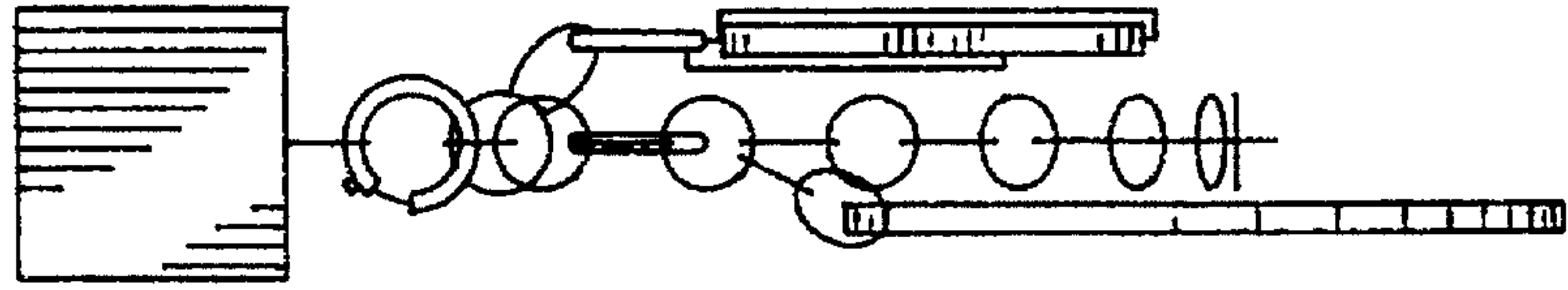


FIG. 5

