



US00D378899S

**United States Patent** [19]  
**Ridinger**

[11] **Patent Number: Des. 378,899**  
[45] **Date of Patent: \*\*Apr. 22, 1997**

[54] **ELECTRONIC METRONOME WITH  
MEMBRANE SWITCH CONTROLS AND  
EXTENDIBLE STAND**

[76] Inventor: **Steve Ridinger**, P.O. Box 2769, Laguna Hills, Calif. 92654-2769

[\*\*] Term: **14 Years**

[21] Appl. No.: **46,829**

[22] Filed: **Nov. 16, 1995**

[52] U.S. Cl. .... **D10/43**

[58] Field of Search ..... **D10/43; 84/484**

[56] **References Cited**

**U.S. PATENT DOCUMENTS**

D. 331,018	11/1992	Watanabe et al. ....	D10/43
3,271,670	9/1966	Esakov .....	84/484 X
3,540,344	11/1970	Veech .....	84/484
4,733,593	3/1988	Rothbart .....	84/484

*Primary Examiner*—Janice E. Seeger  
*Attorney, Agent, or Firm*—DeWitt Ross & Stevens

[57] **CLAIM**

The ornamental design for an electronic metronome with membrane switch controls and extendible stand, as shown.

**DESCRIPTION**

FIG. 1 is a perspective view of an electronic metronome with membrane switch controls and extendible stand showing my new design;

FIG. 2 is a top plan view thereof with stand retracted;

FIG. 3 is a bottom plan view thereof with stand retracted;

FIG. 4 is a left side elevational view thereof with stand retracted;

FIG. 5 is a right side elevational view thereof with stand retracted;

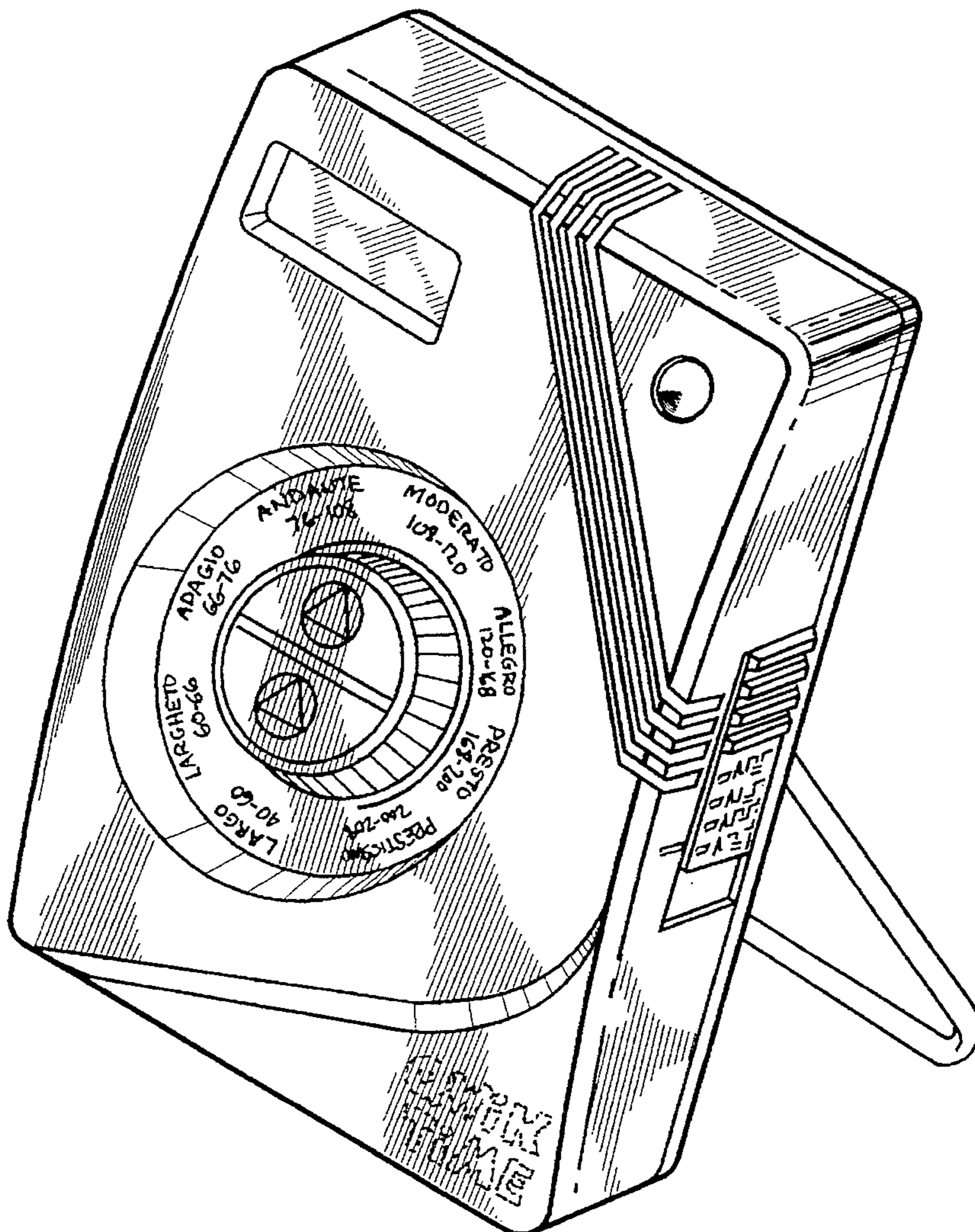
FIG. 6 is a left side elevational view thereof with stand extended;

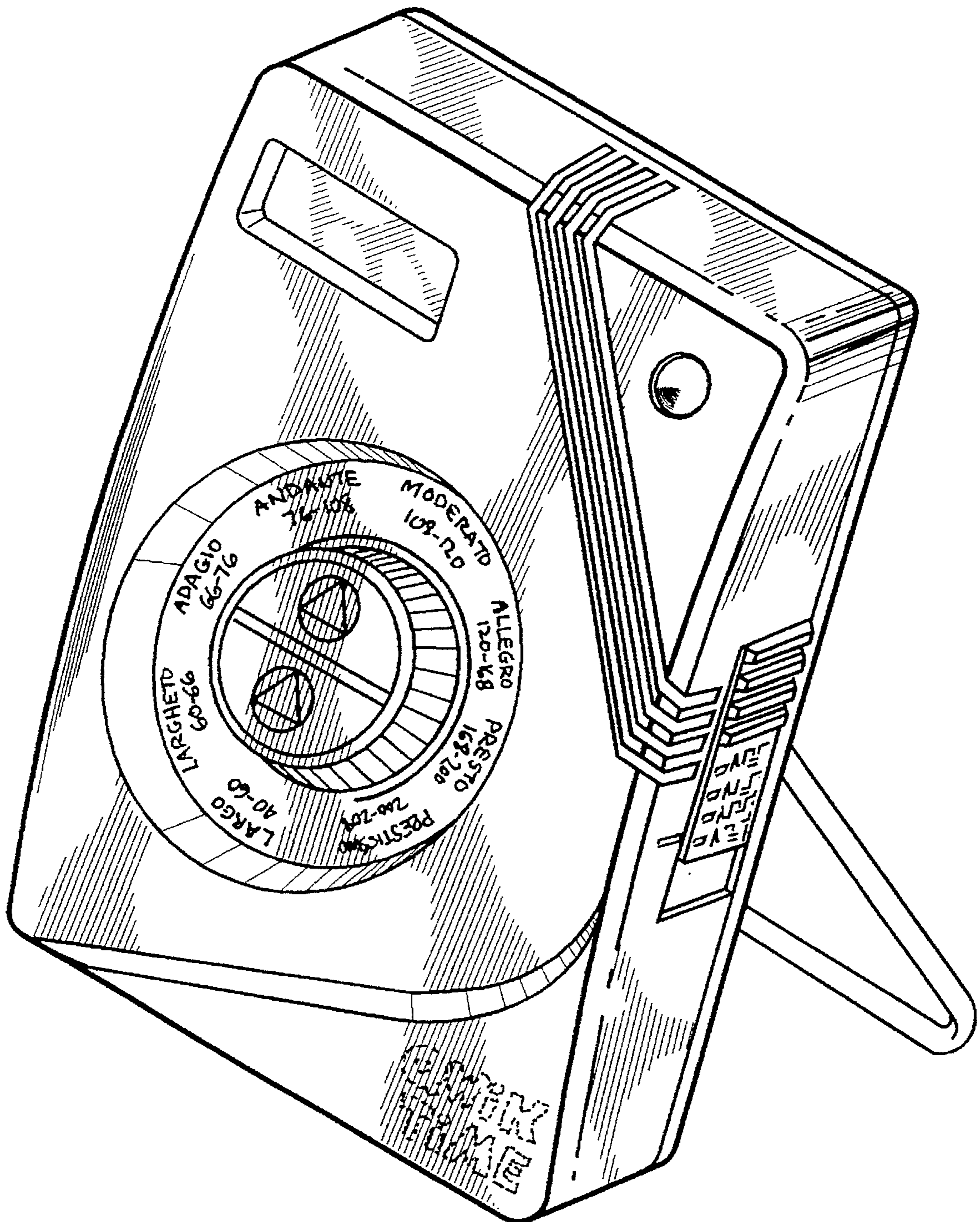
FIG. 7 is a front elevational view thereof;

FIG. 8 is a rear elevational view thereof with stand retracted; and,

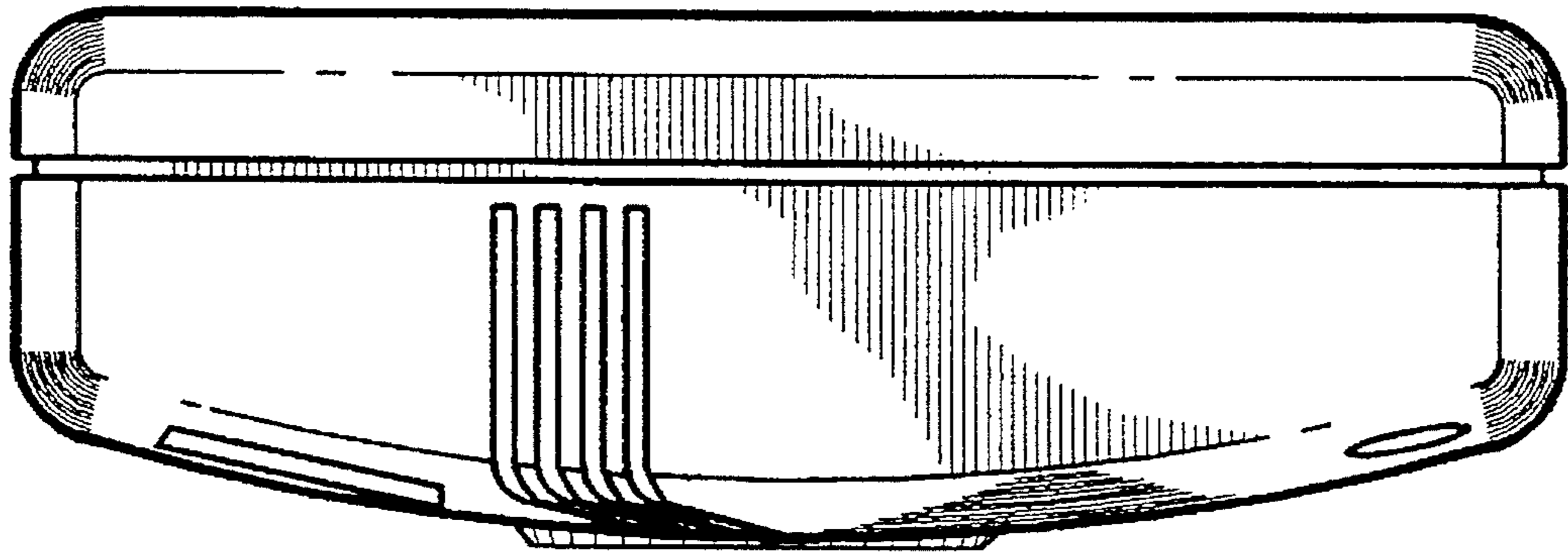
FIG. 9 is a vertical cross-section showing the profile thereof. The broken lines are for environmental purposes only and form no part of the claimed design.

**1 Claim, 6 Drawing Sheets**

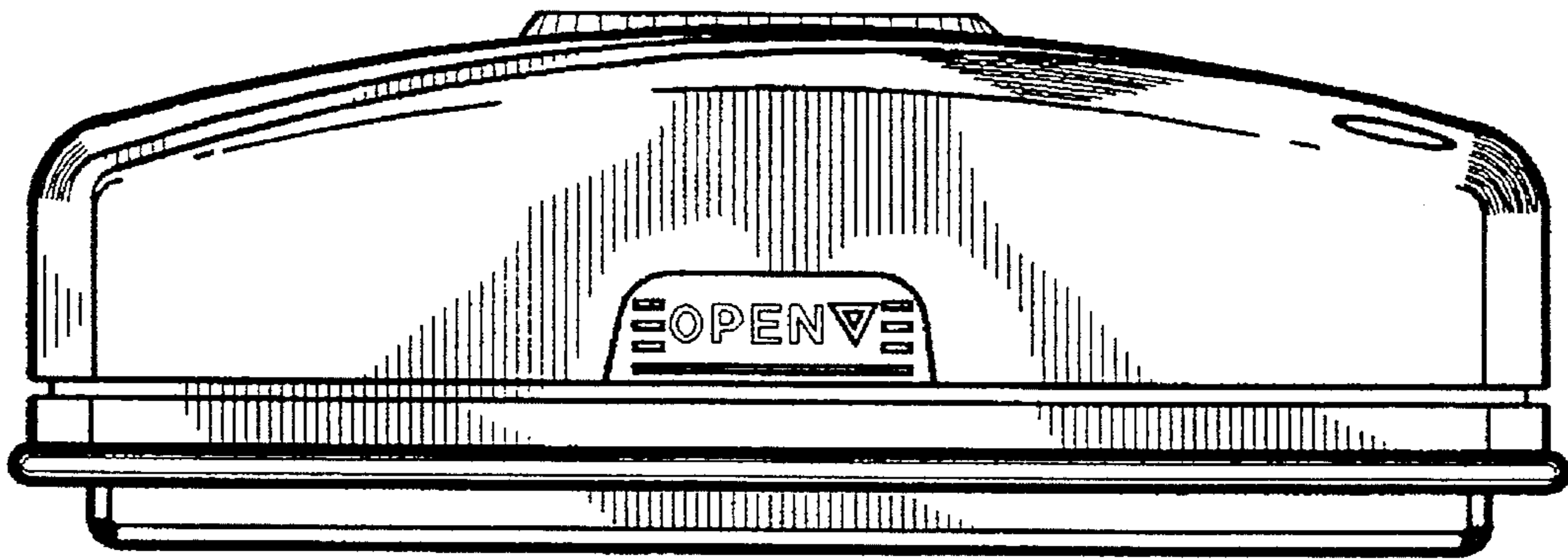




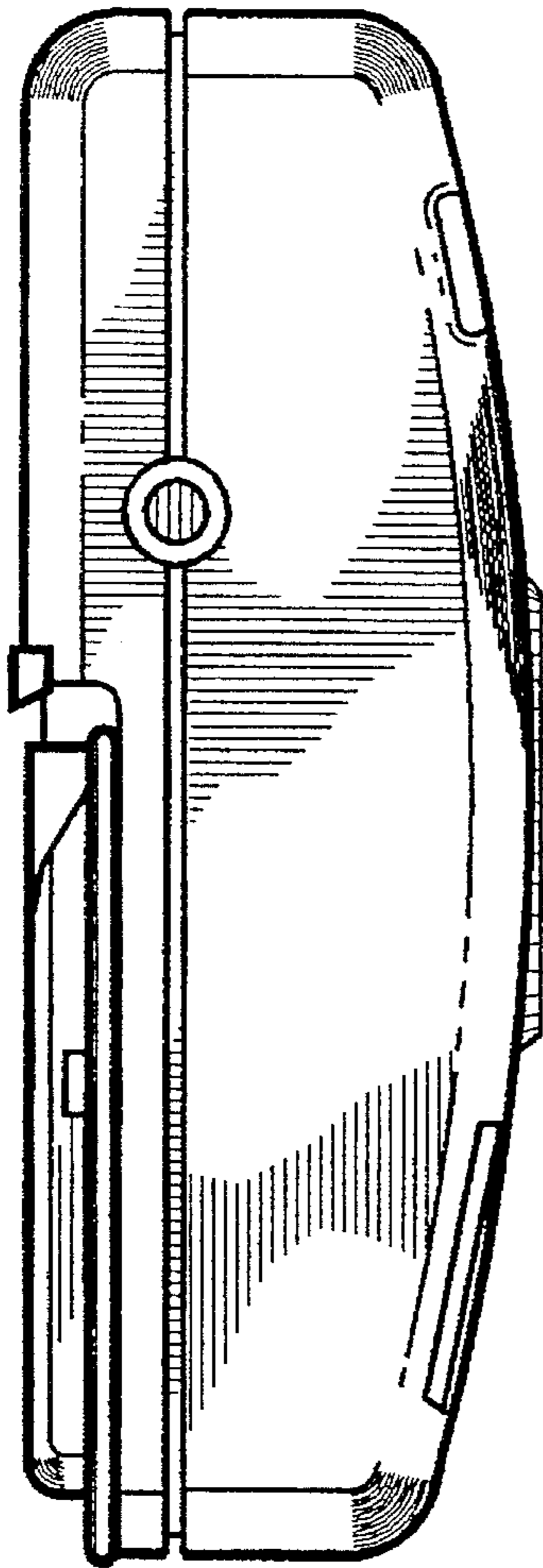
**FIG. 1**



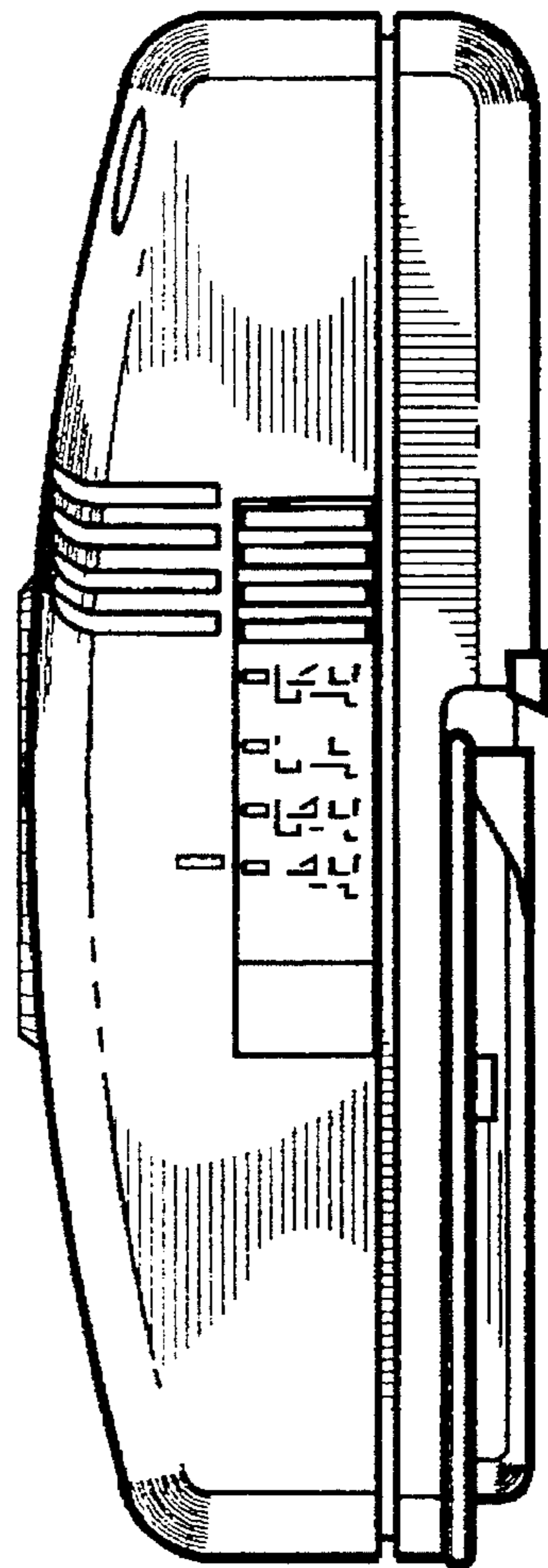
**FIG. 2**



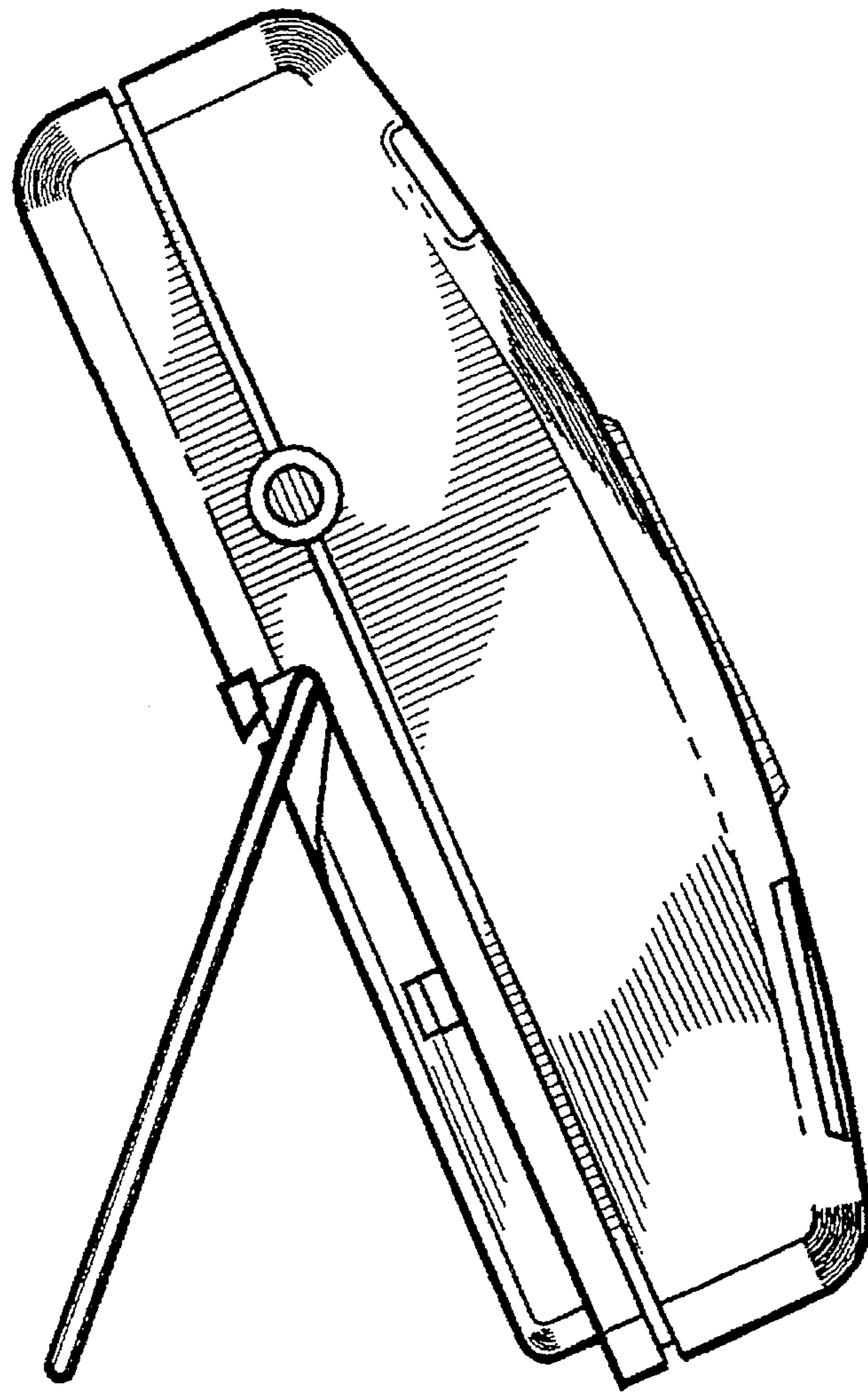
**FIG. 3**



**FIG. 4**



**FIG. 5**



**FIG. 6**

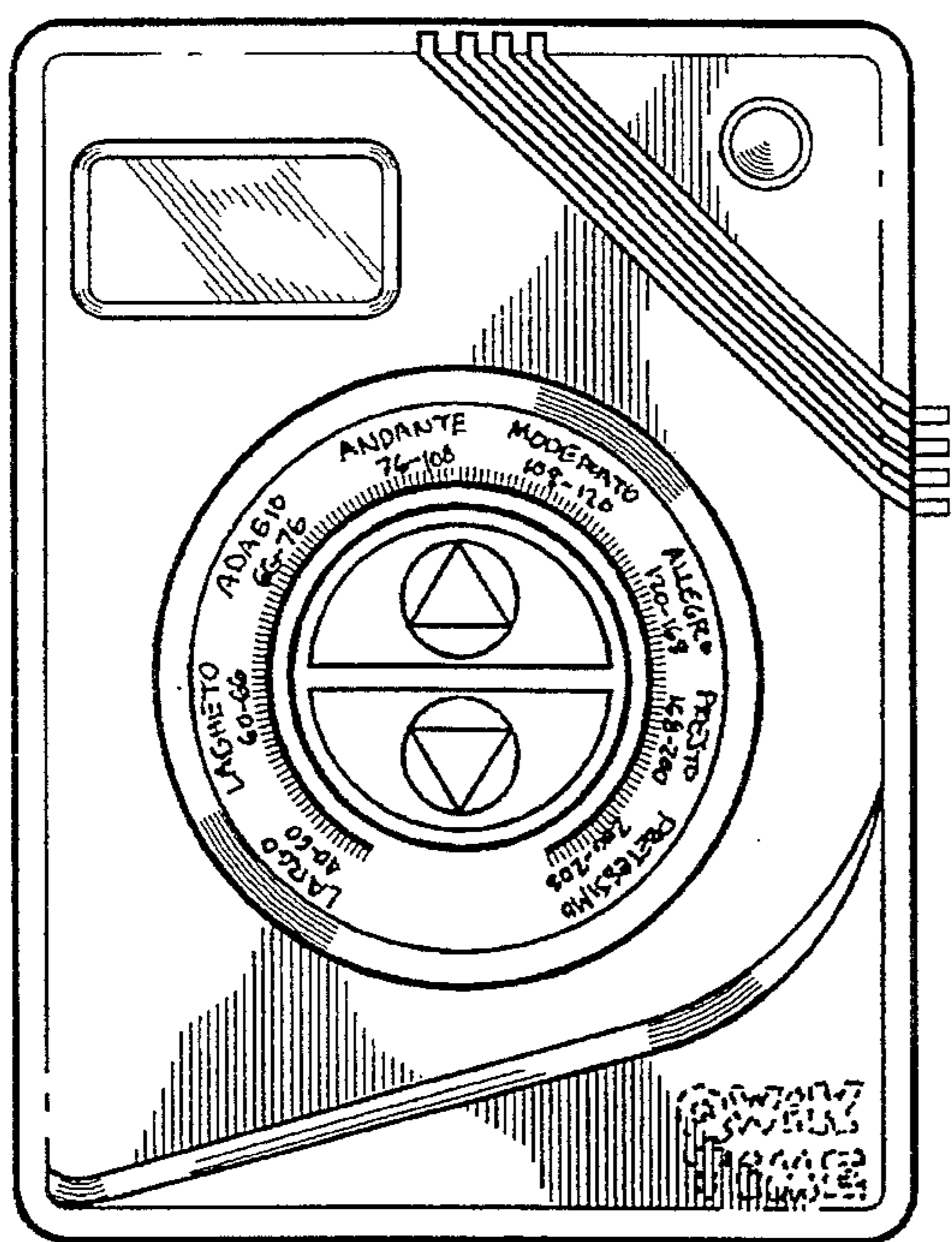


FIG. 7

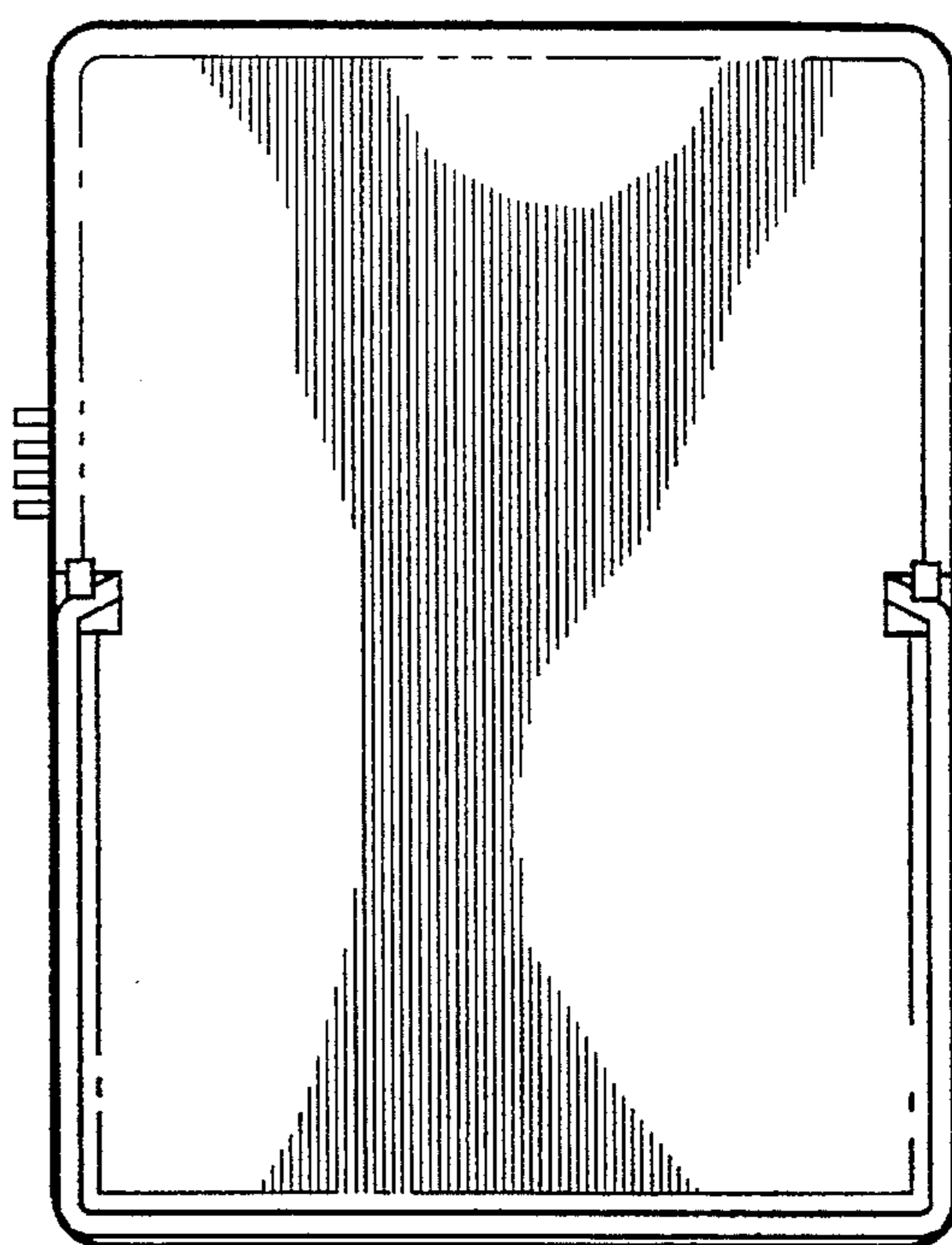
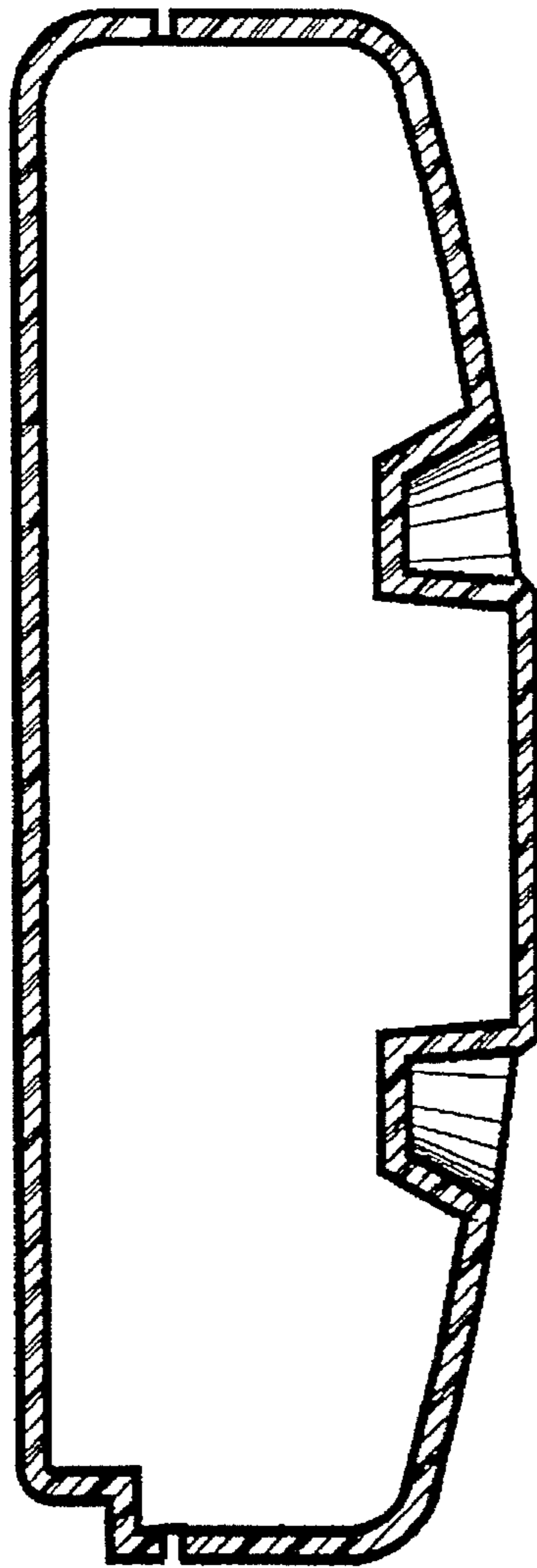


FIG. 8



**FIG. 9**