



US00D378894S

United States Patent [19] Mello

[11] **Patent Number: Des. 378,894**
[45] **Date of Patent: ***Apr. 22, 1997**

[54] **FOOD PACKAGE**

[75] Inventor: **Frank C. Mello**, Columbus, Miss.

[73] Assignee: **Sara Lee Corporation**, Winston-Salem, N.C.

[*] Notice: The portion of the term of this patent subsequent to Nov. 21, 2009, has been disclaimed.

[**] Term: **14 Years**

[21] Appl. No.: **33,387**

[22] Filed: **Jan. 11, 1995**

Related U.S. Application Data

[63] Continuation of Ser. No. 13,030, Nov. 30, 1994, Pat. No. Des. 364,343.

[52] **U.S. Cl.** **D9/345; D9/415**

[58] **Field of Search** D9/341, 345-347, D9/415, 418, 456; D7/602, 629; 206/44 R, 45.31, 45.34, 461, 469, 471; 220/23.2, 23.8, 376-377, 380, 521, 556, 657, 659, 662, 675; 229/902, 904

[56] **References Cited**

U.S. PATENT DOCUMENTS

D. 331,011	11/1992	Karita et al.	D9/415
D. 331,012	11/1992	Karita et al.	D9/415
D. 364,343	11/1995	Mello	D9/415
4,724,982	2/1988	Redmond	206/469 X
4,903,842	2/1990	Tokuda et al.	206/469 X
5,176,258	1/1993	Antal	206/471 X

Primary Examiner—Sandra L. Morris
Assistant Examiner—Nanda Bondade

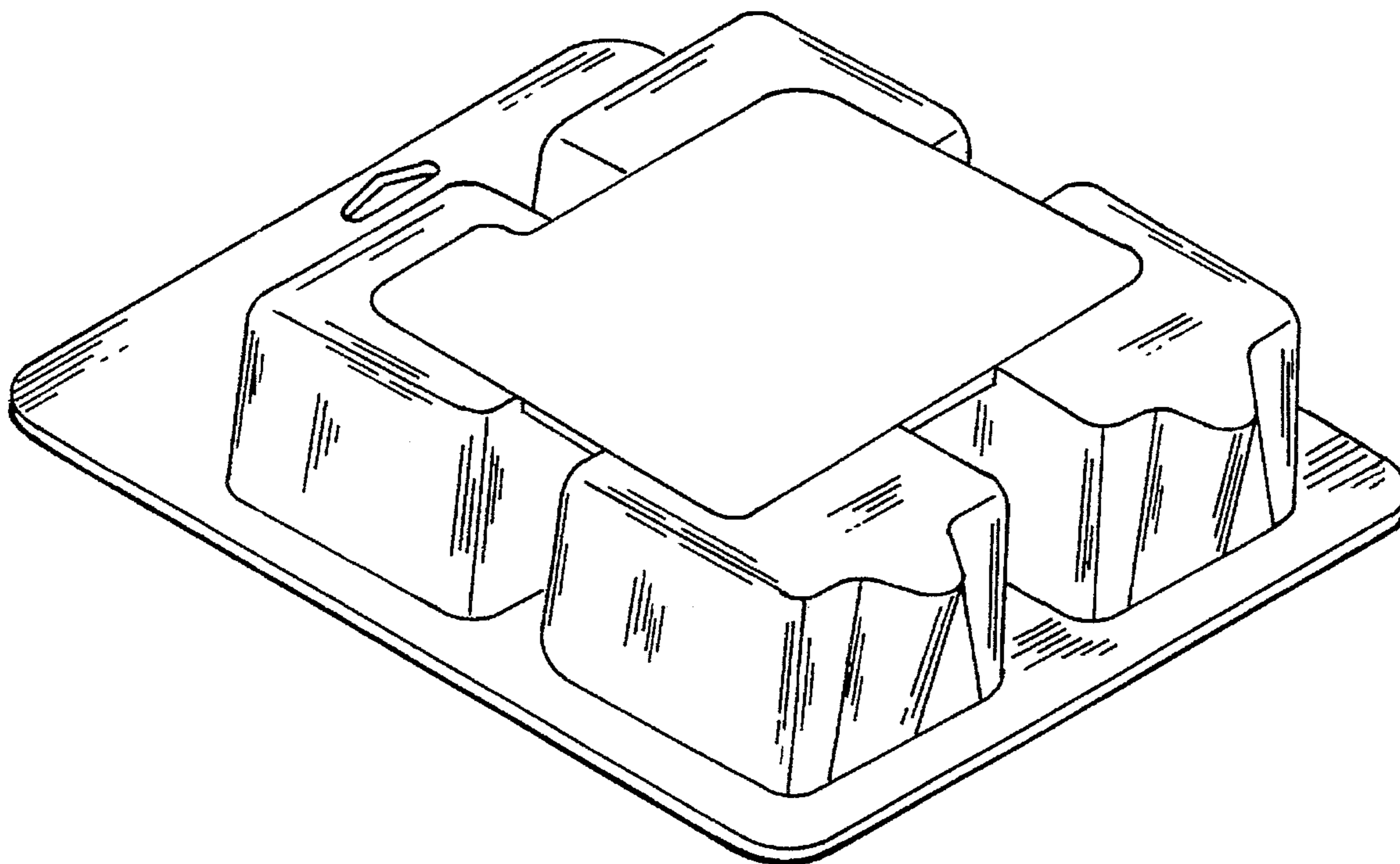
[57] **CLAIM**

The ornamental design for a food package, as shown, and described.

DESCRIPTION

FIG. 1 is a perspective view of a food package showing my new design;
FIG. 2 is a top plan view thereof;
FIG. 3 is a right side elevational view thereof; the left side elevational view being a mirror image thereof;
FIG. 4 is a front elevational view thereof; and,
FIG. 5 is a bottom view thereof.

1 Claim, 1 Drawing Sheet



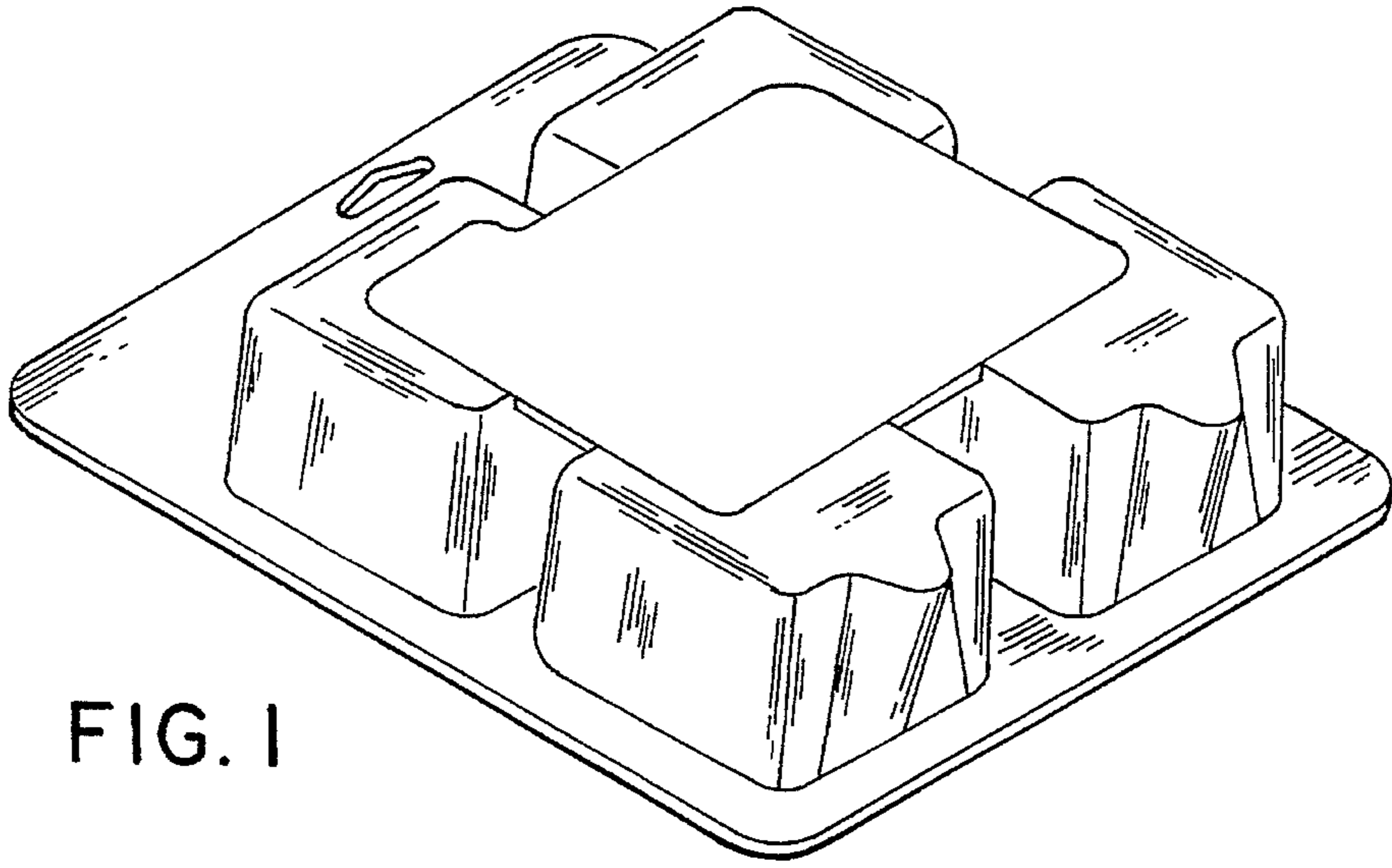


FIG. 1

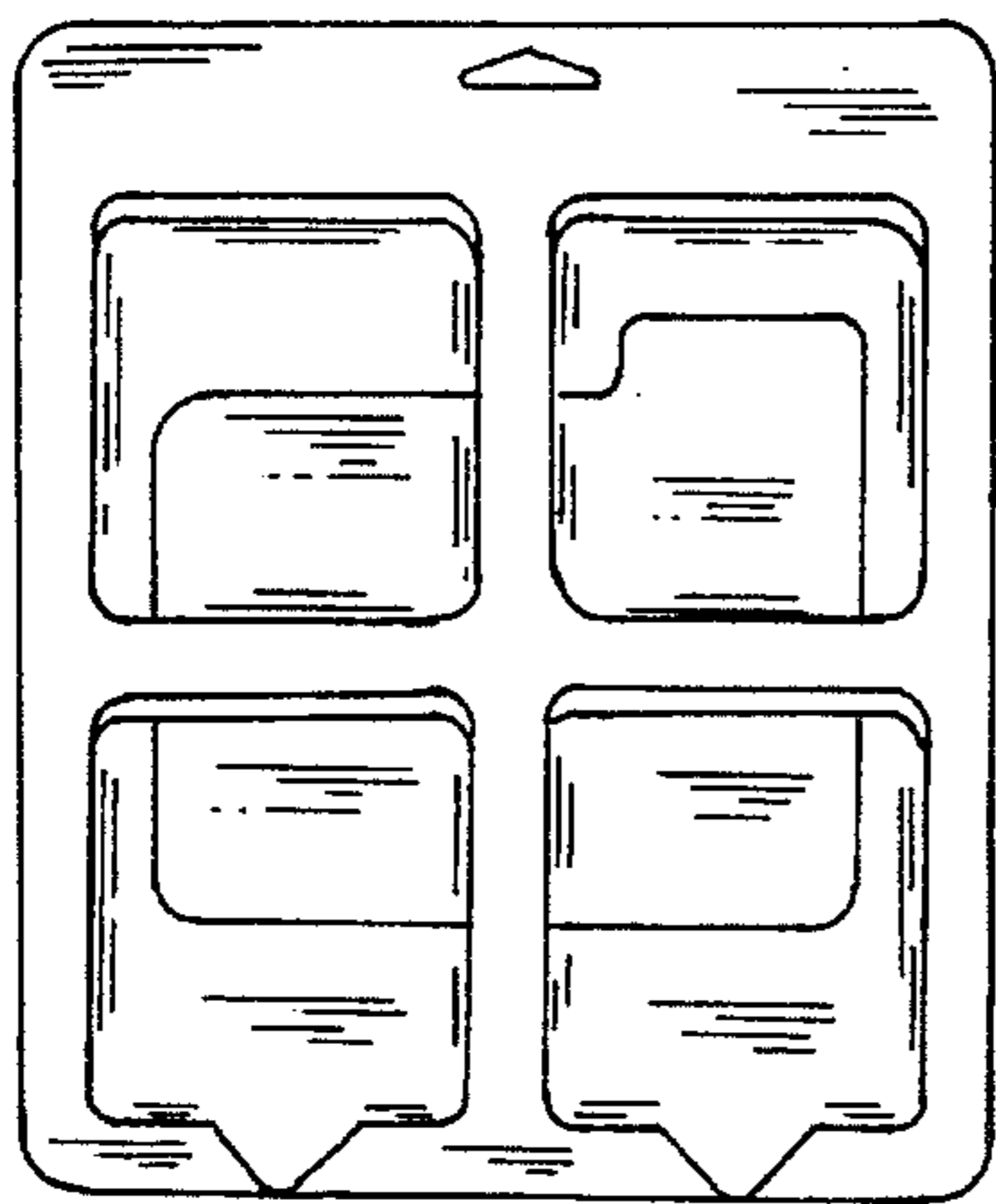


FIG. 2

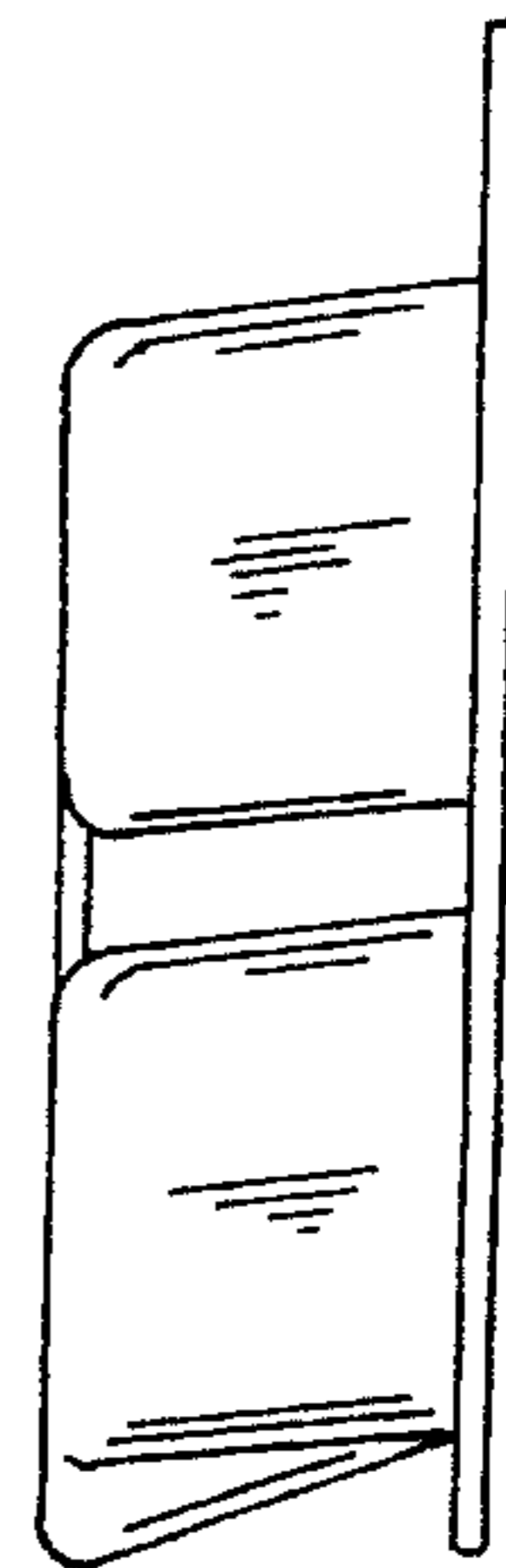


FIG. 3



FIG. 4

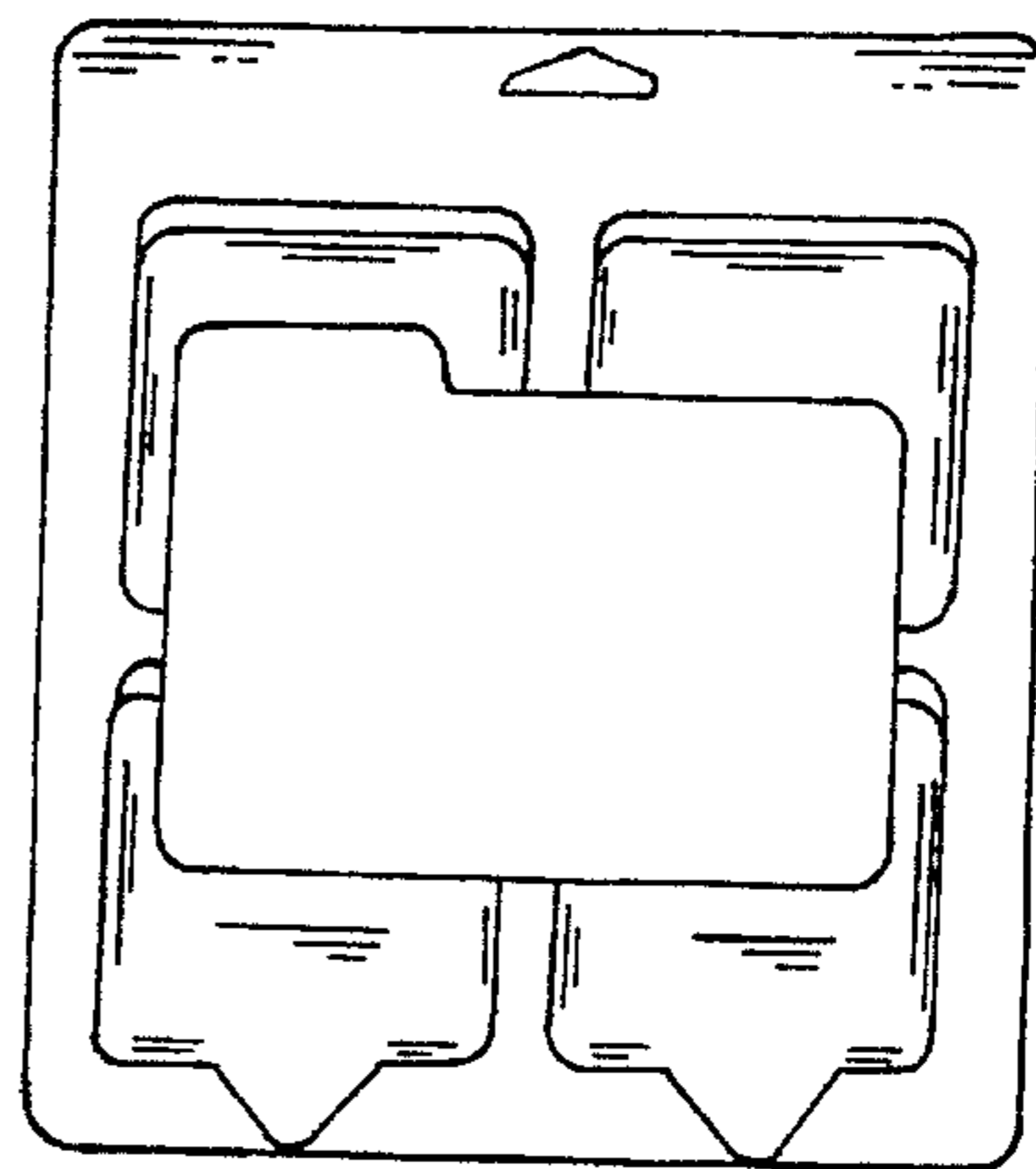


FIG. 5