



US00D378893S

# United States Patent [19]

[11] Patent Number: **Des. 378,893**

Nordeen

[45] Date of Patent: **\*\*Apr. 22, 1997**

[54] **WALL HANGER FOR BLOW GUNS AND SPRAY GUNS**

Primary Examiner—Holly H. Baynham

[76] Inventor: **Melvin A. Nordeen**, 11053 Stout La., Greeley Hill, Calif. 95311

[57] **CLAIM**

The ornamental design for a wall hanger for blow guns and spray guns, as shown and described.

[\*\*] Term: **14 Years**

**DESCRIPTION**

[21] Appl. No.: **43,011**

FIG. 1 is a right side perspective of a wall hanger for blow guns and spray guns showing my new design, the broken lines illustrating a spray gun is for illustrative purposes and form no part of the claimed design;

[22] Filed: **Aug. 23, 1995**

[52] U.S. Cl. .... **D8/373; D6/567**

FIG. 2 is a front elevational view thereof;

[58] Field of Search ..... D8/370, 373; 248/589; 211/64-65, 70.2, 70.8; D6/553-554, 556, 566, 567

FIG. 3 is a rear elevational view thereof;

FIG. 4 is a top plan view;

FIG. 5 is a bottom plan view;

[56] **References Cited**

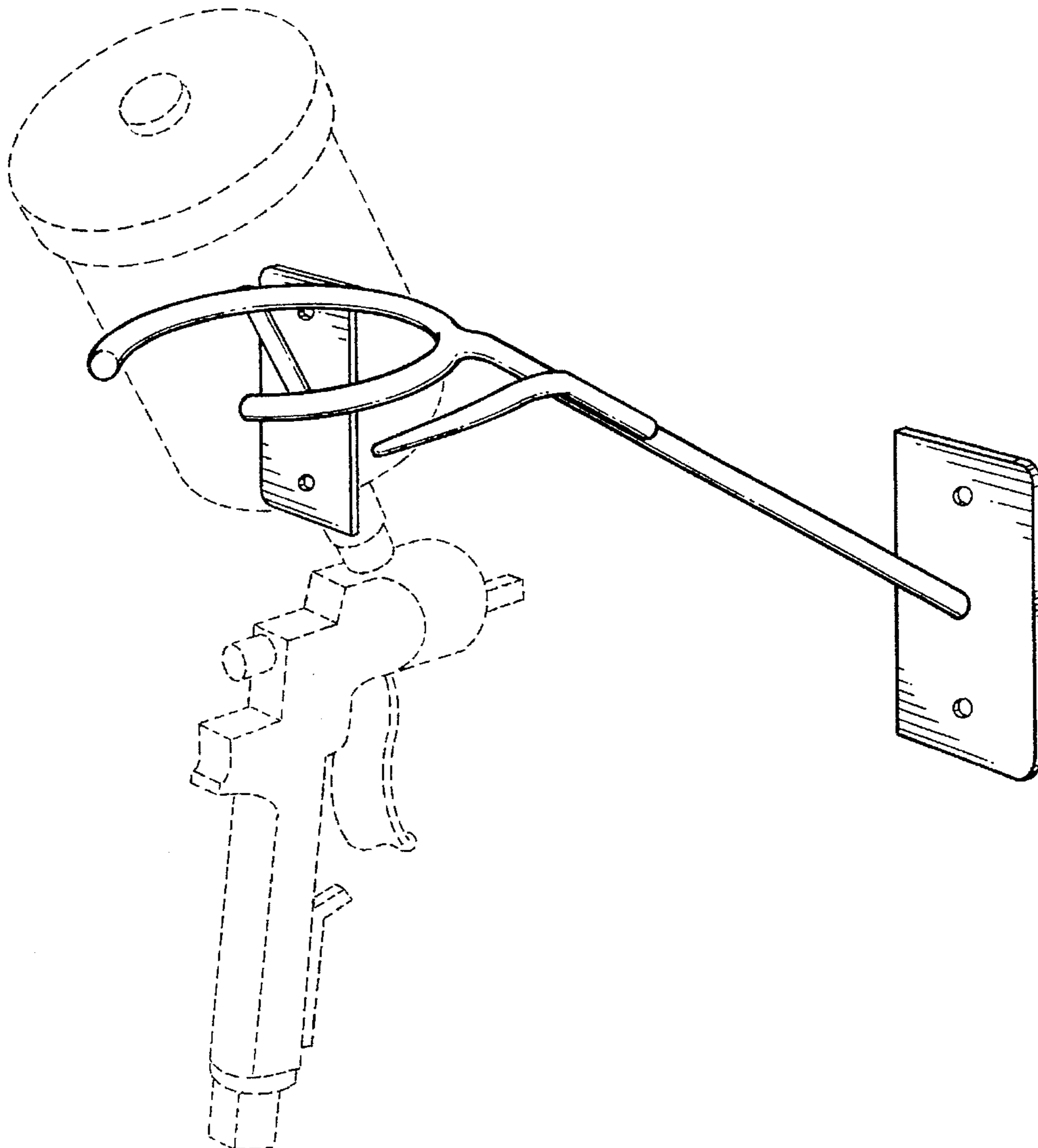
### U.S. PATENT DOCUMENTS

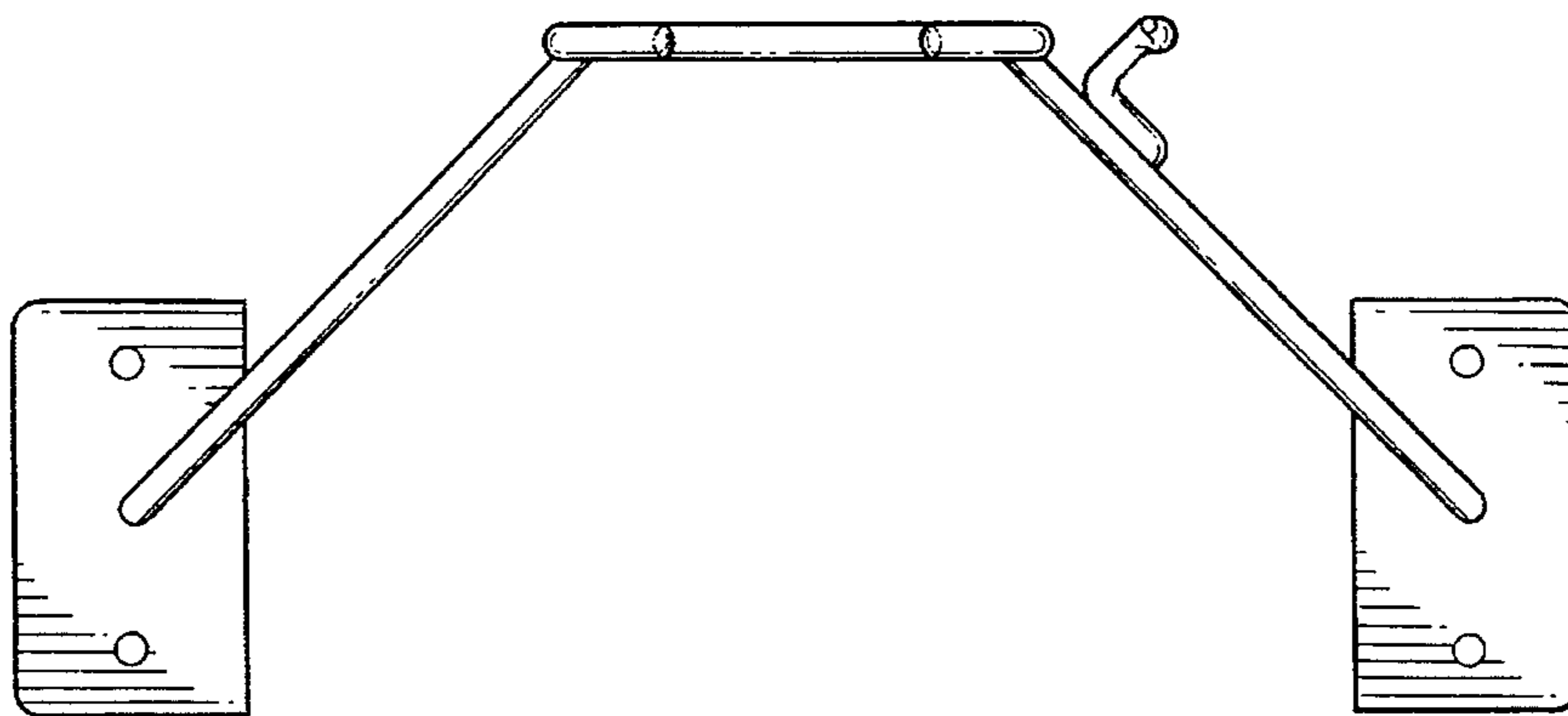
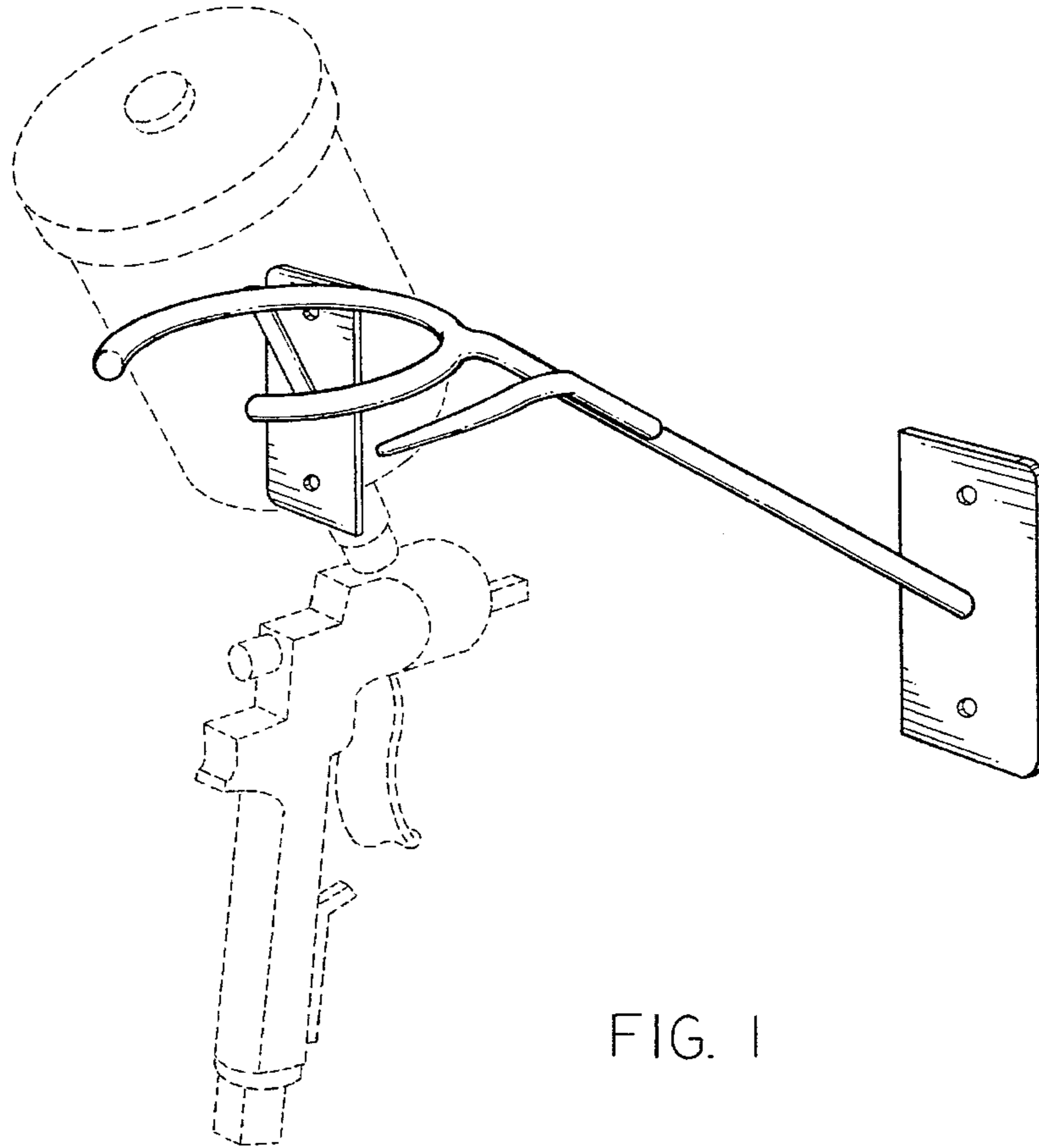
D. 295,949	5/1988	Ferrell	.....	D8/359
D. 308,782	6/1990	Getsi	.....	D6/567
D. 329,349	9/1992	Moreno	.....	D6/567
D. 338,613	8/1993	Hoover	.....	D8/373

FIG. 6 is a right side elevational view, the broken lines showing a blow gun is for illustrative purposes and form no part of the claimed design; and,

FIG. 7 is a left side elevational view thereof.

**1 Claim, 3 Drawing Sheets**





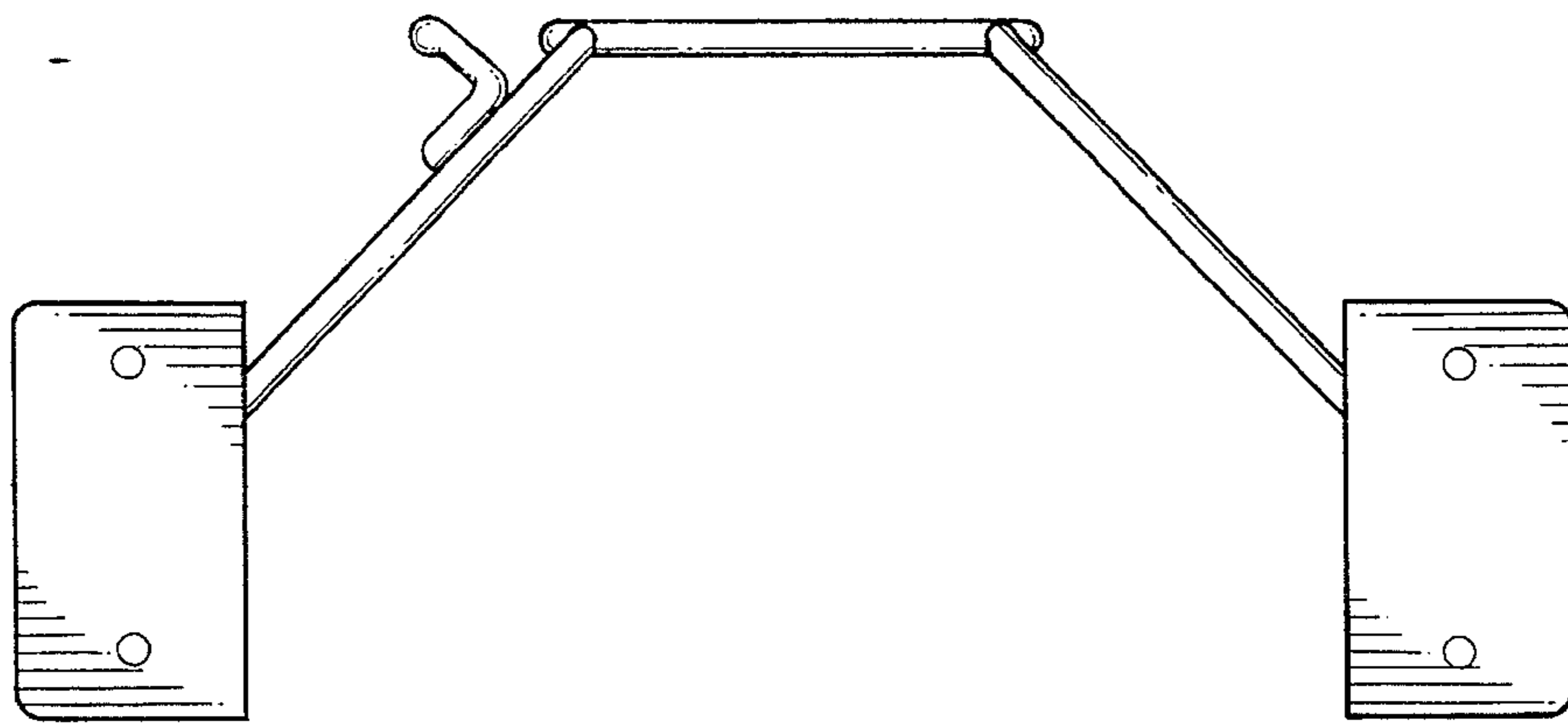


FIG. 3

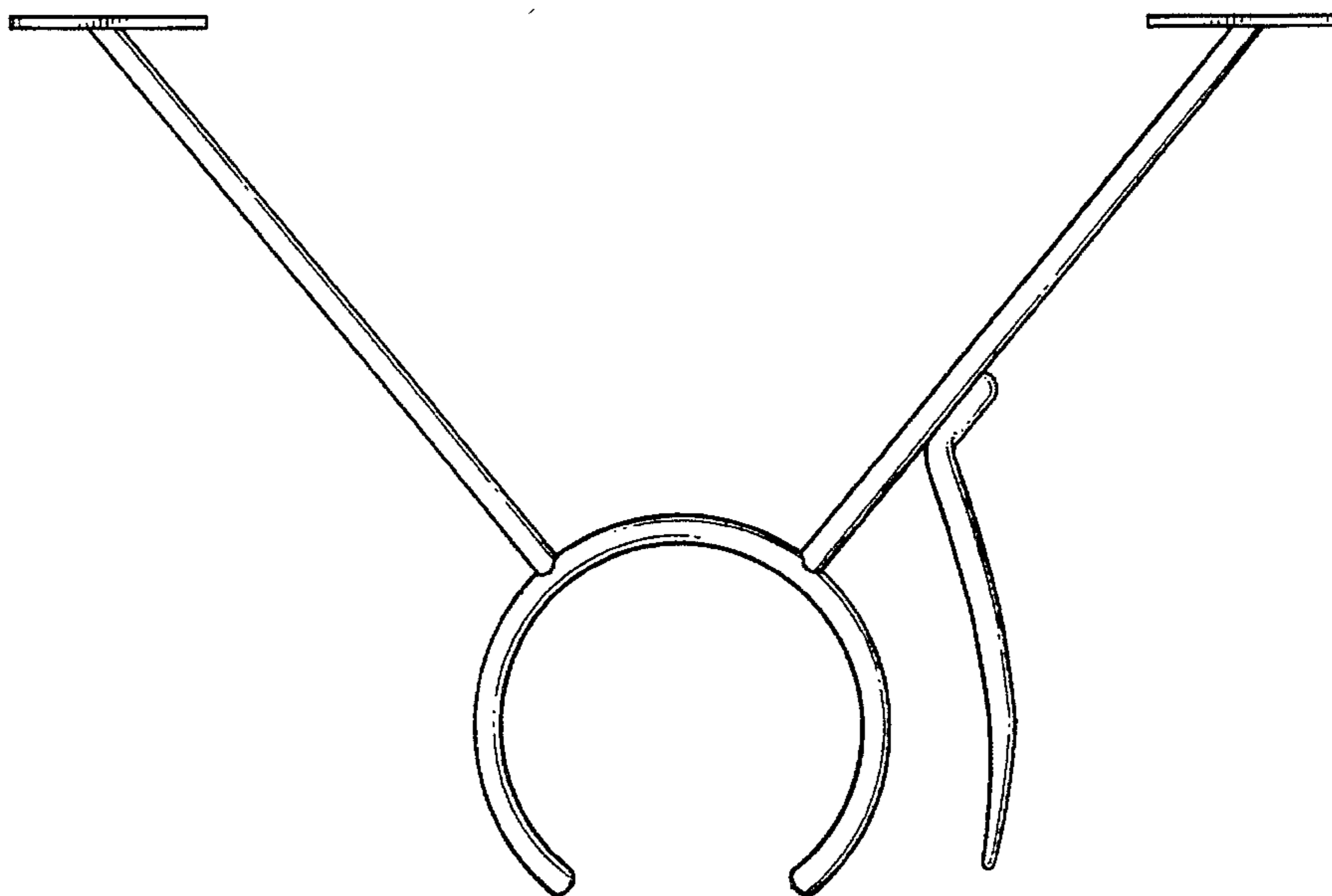


FIG. 4

FIG. 5

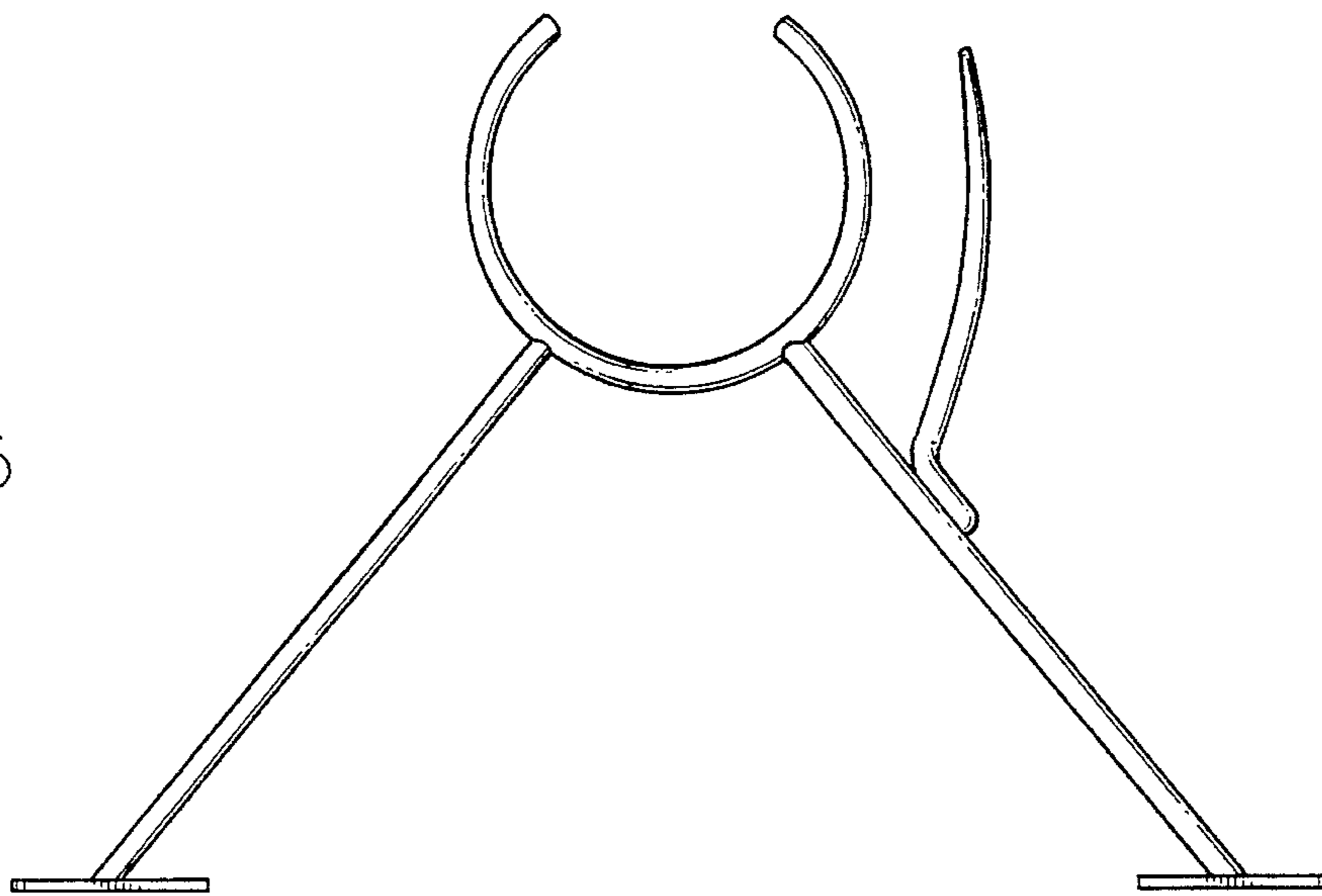


FIG. 6

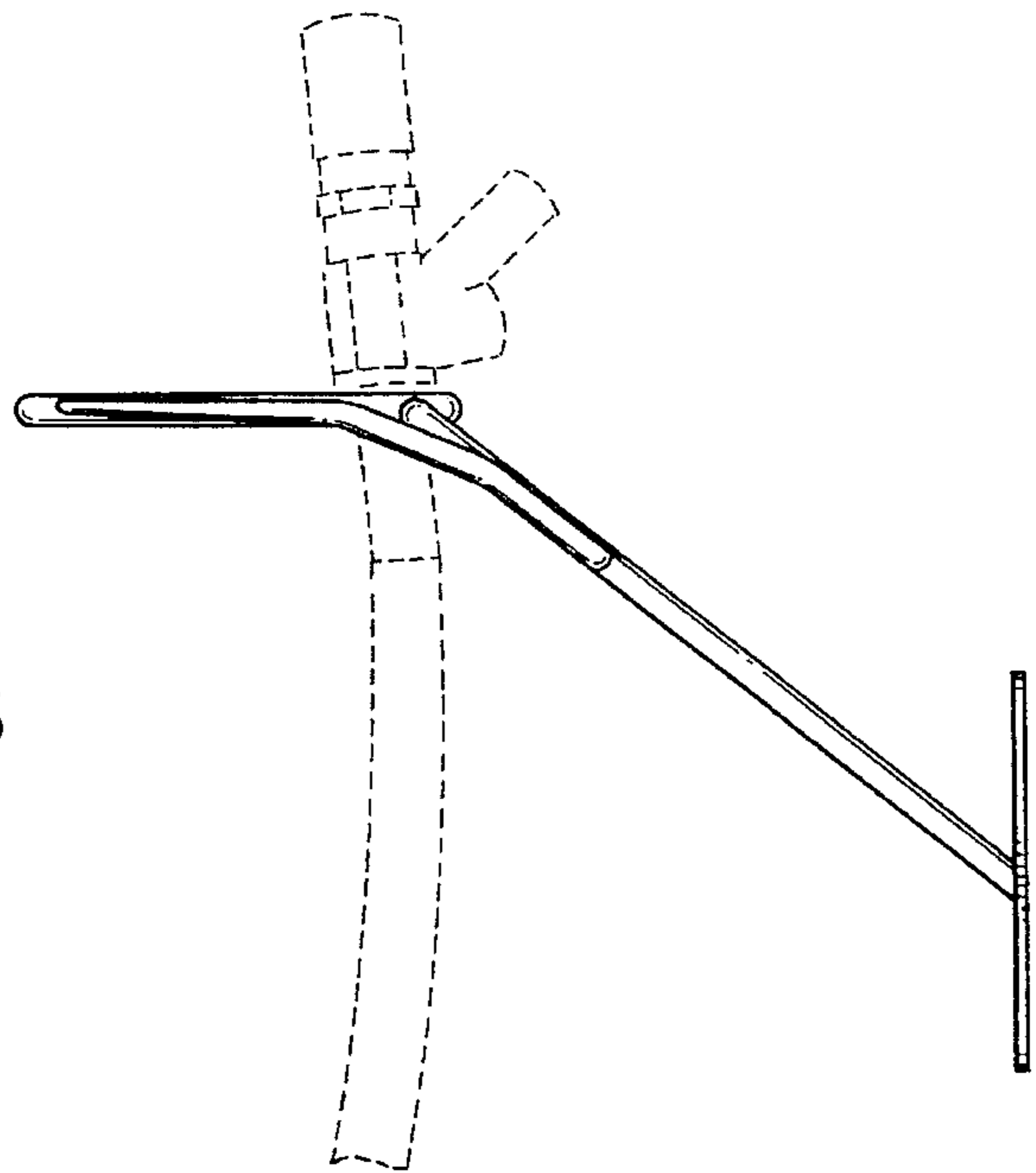


FIG. 7

