



US00D378892S

**United States Patent** [19]  
**Garcia**

[11] **Patent Number: Des. 378,892**  
[45] **Date of Patent: \*\*Apr. 22, 1997**

[54] **ADJUSTABLE SUPPORT FOR A PERSONAL HAIR DRYER**

[76] Inventor: **Roberto Garcia**, 1001 NE. 96 St., Miami Shores, Fla. 33138

[\*\*] Term: **14 Years**

[21] Appl. No.: **42,650**

[22] Filed: **Aug. 16, 1995**

[52] **U.S. Cl.** ..... **D8/373; D28/73; D6/567**

[58] **Field of Search** ..... **D28/18, 73; D6/512, D6/524-527, 541, 551-554, 567; D8/71, 355, 367, 372, 373, 354; 248/301, 304, 309.1, 314, 316.8, 225.11; 211/13, 60.1, 63, 65, 70.1, 86, 87, 89**

[56] **References Cited**

**U.S. PATENT DOCUMENTS**

D. 28,153	1/1898	Woodward	.....	D8/367 X
D. 214,383	6/1969	Johnson	.....	D8/371
D. 305,431	1/1990	Adams	.....	D8/367
D. 312,960	12/1990	Embree et al.	.....	D8/367
D. 323,285	1/1992	Thomson	.....	D8/372
D. 335,935	5/1993	Rouail	.....	D8/373 X
D. 342,343	12/1993	Slivko	.....	D28/18
D. 347,538	6/1994	Fleischer	.....	D6/567
1,588,566	6/1926	Wismer	.....	248/304 X
2,880,651	4/1959	Fenyo	.....	248/466
2,968,995	3/1961	Holden	.....	248/467
2,990,153	6/1961	Wolar	.....	248/343
4,225,106	9/1980	Eplan	.....	248/282.1

4,453,695	6/1984	Sennott et al.	.....	248/660
4,461,439	7/1984	Rose	.....	248/51
4,696,447	9/1987	Strecker	.....	248/206.3
4,746,090	5/1988	Hamilton	.....	248/314
5,064,154	11/1991	Payne	.....	248/121
5,350,144	9/1994	Lary	.....	248/183.1

*Primary Examiner*—Ted Shooman  
*Assistant Examiner*—C. Tuttle  
*Attorney, Agent, or Firm*—Robert M. Schwartz

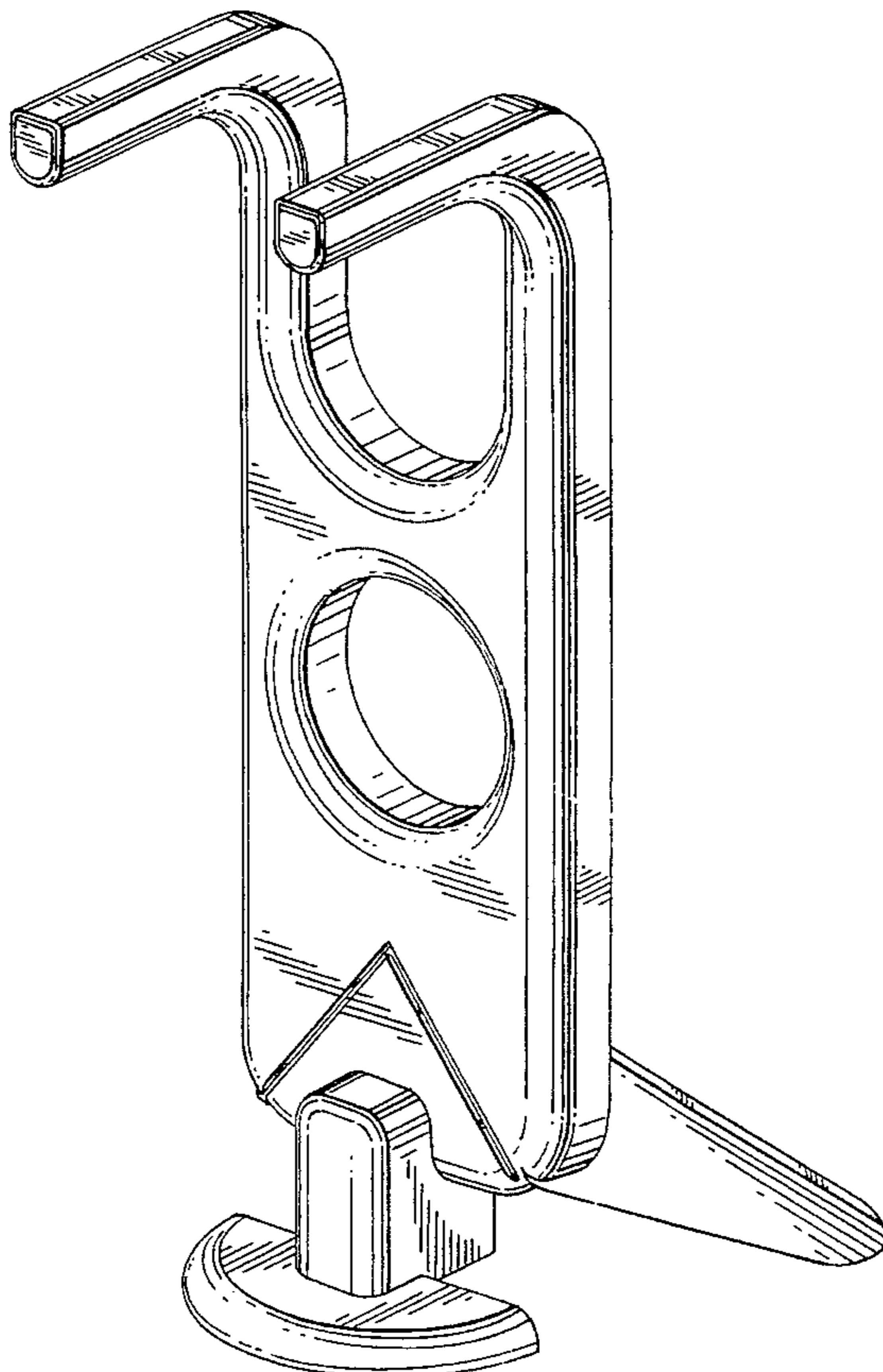
[57] **CLAIM**

The ornamental design for an adjustable support for a personal hair dryer, as shown.

**DESCRIPTION**

FIG. 1 is a perspective view of the adjustable support for a personal hair dryer showing my new design; FIG. 2 is a left side view of my adjustable support for a personal hair dryer; FIG. 3 is a plan top view of my adjustable support for a personal hair dryer; FIG. 4 is a bottom view of my adjustable support for a personal hair dryer; FIG. 5 is a right side view of my adjustable support for a personal hair dryer; FIG. 6 is a front view of my adjustable support for a personal hair dryer; and, FIG. 7 is a rear view of my adjustable support for a personal hair dryer.

**1 Claim, 3 Drawing Sheets**



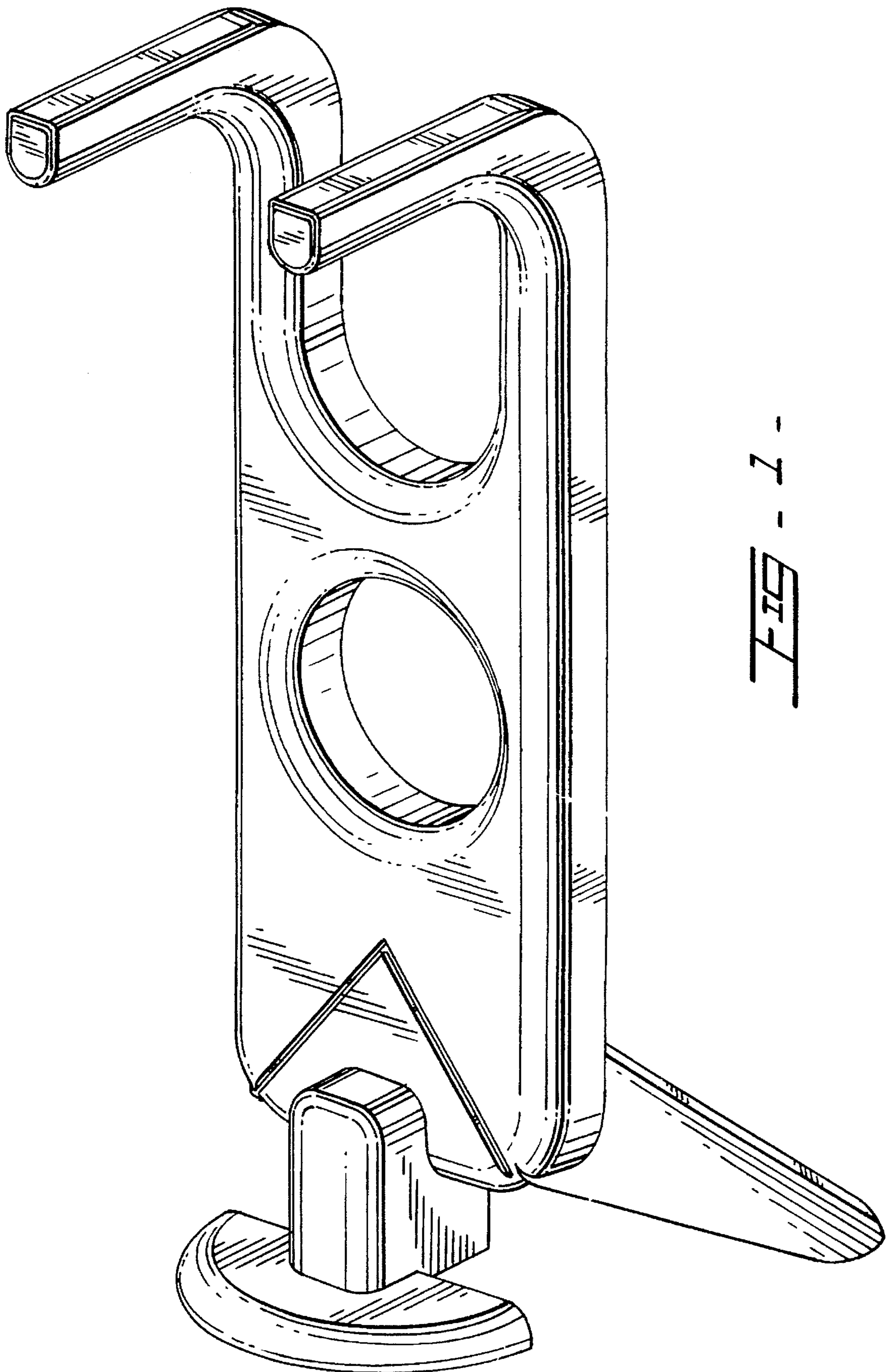


FIG. 1

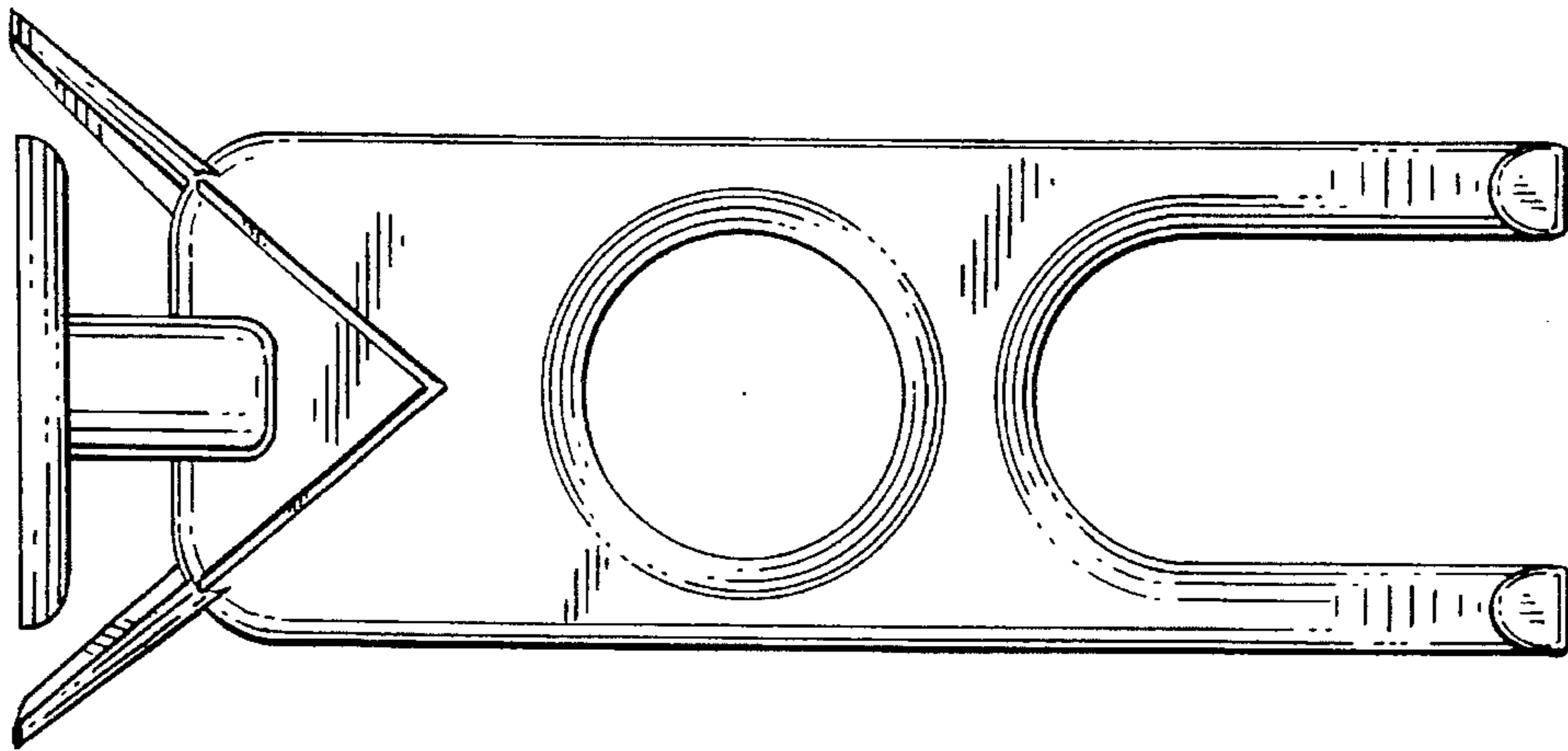


FIG. 3.

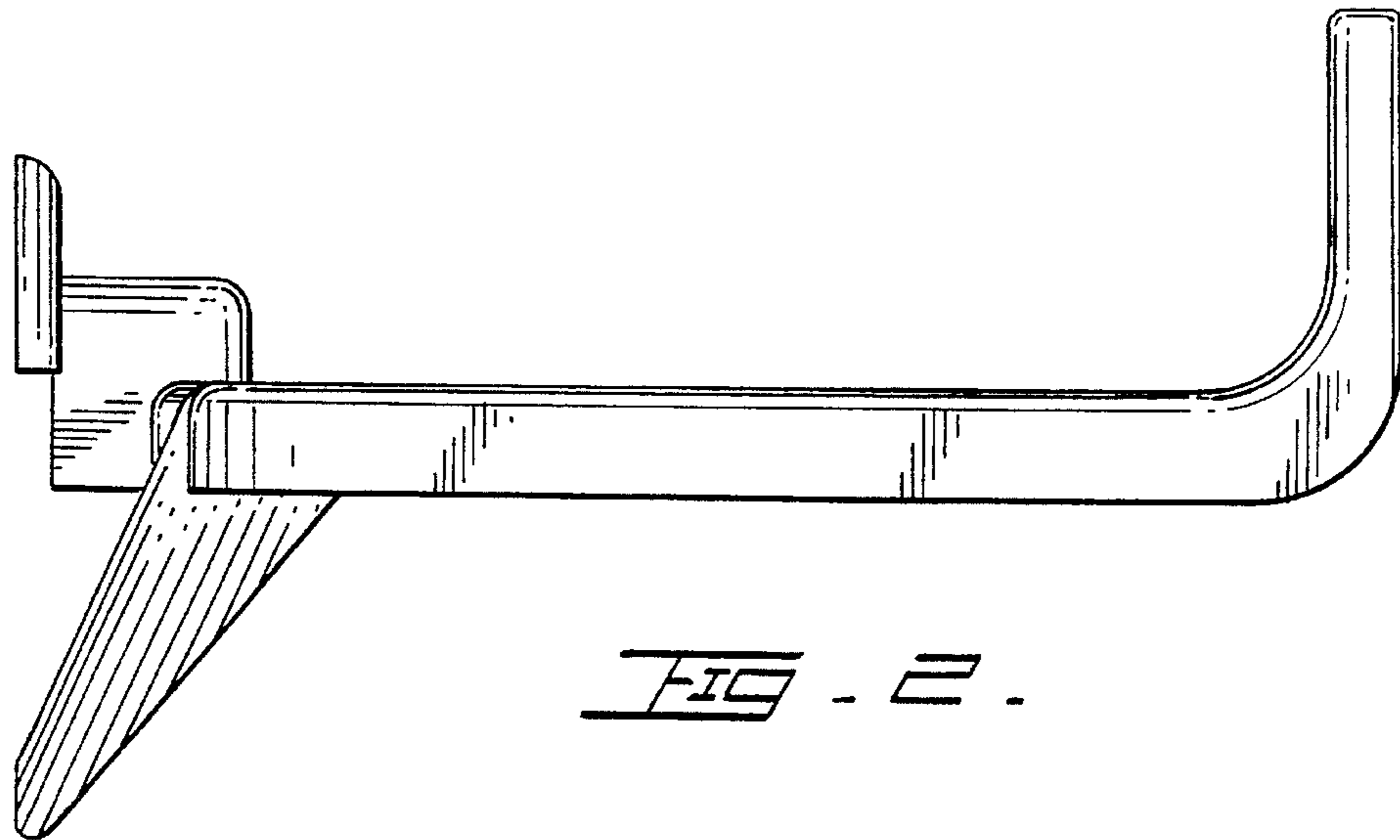


FIG. 2.

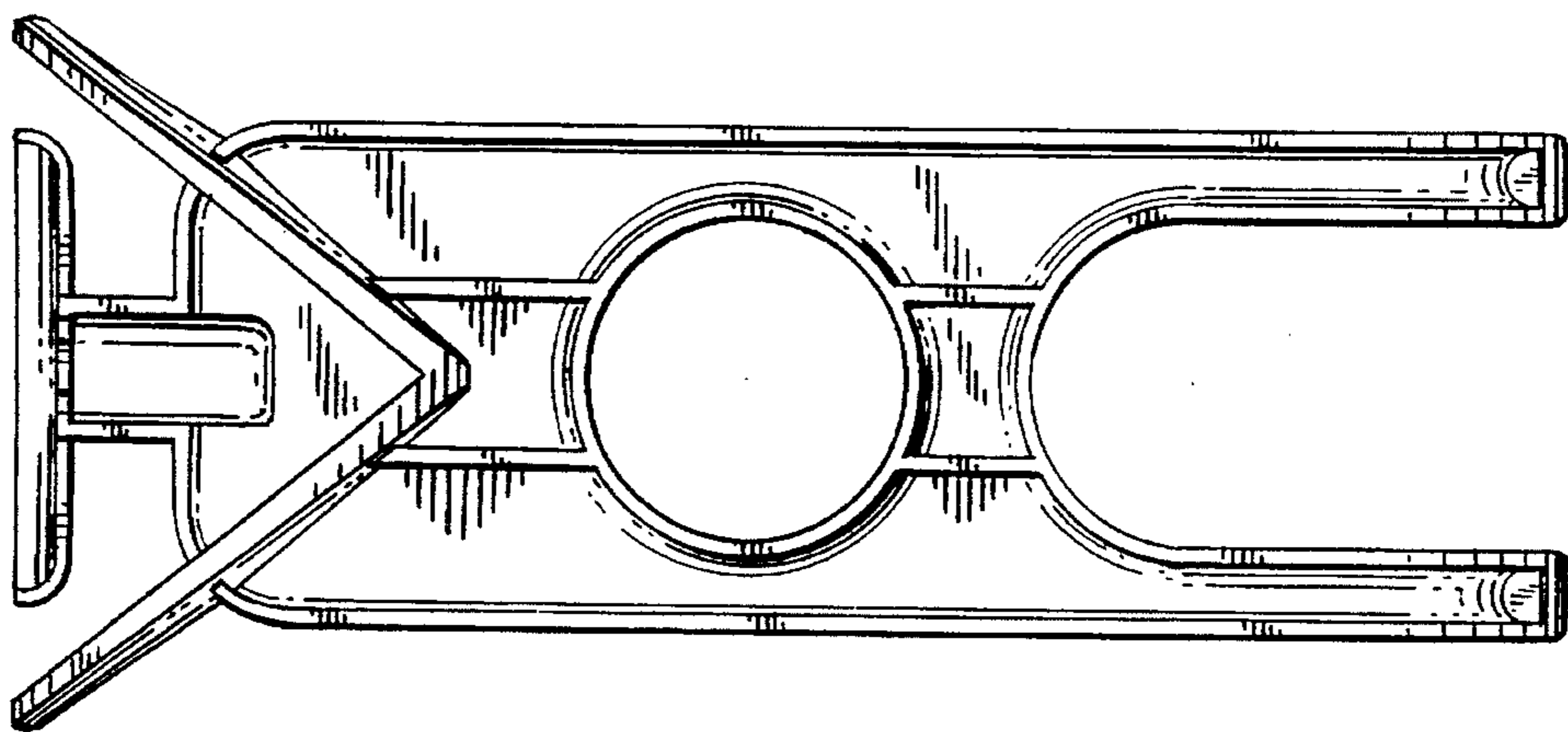


FIG. 4.

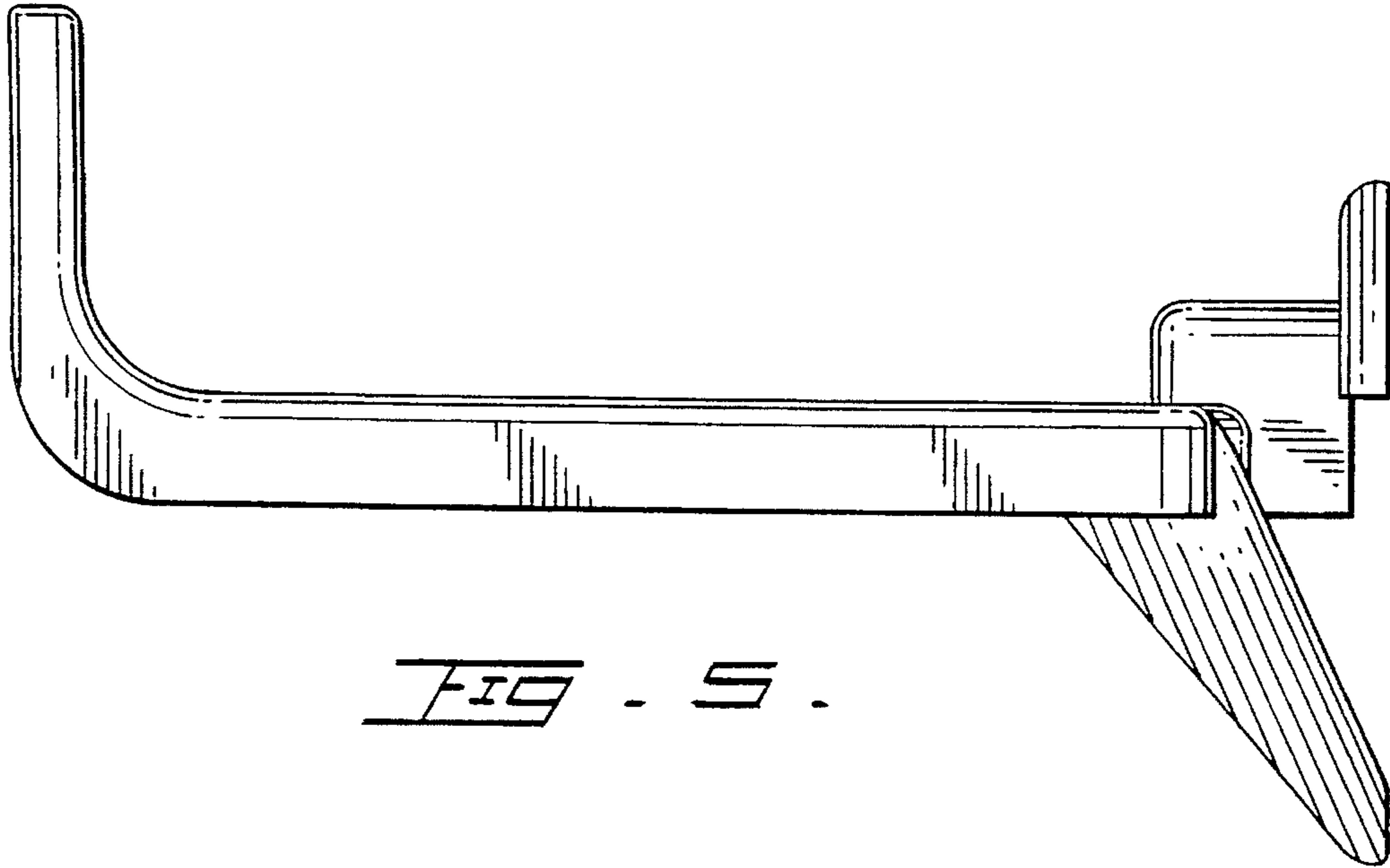


FIG. 5.

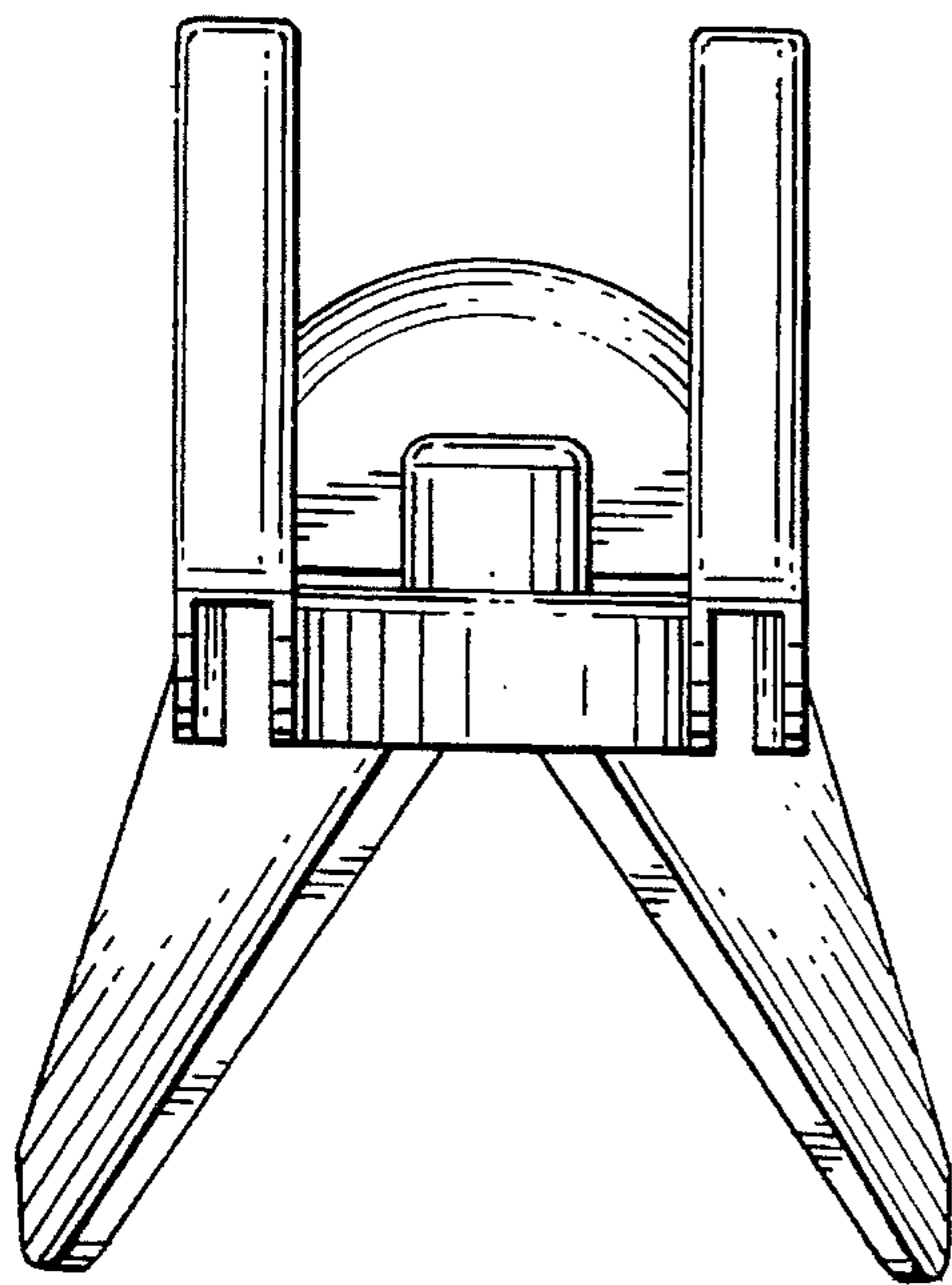


FIG. 6.

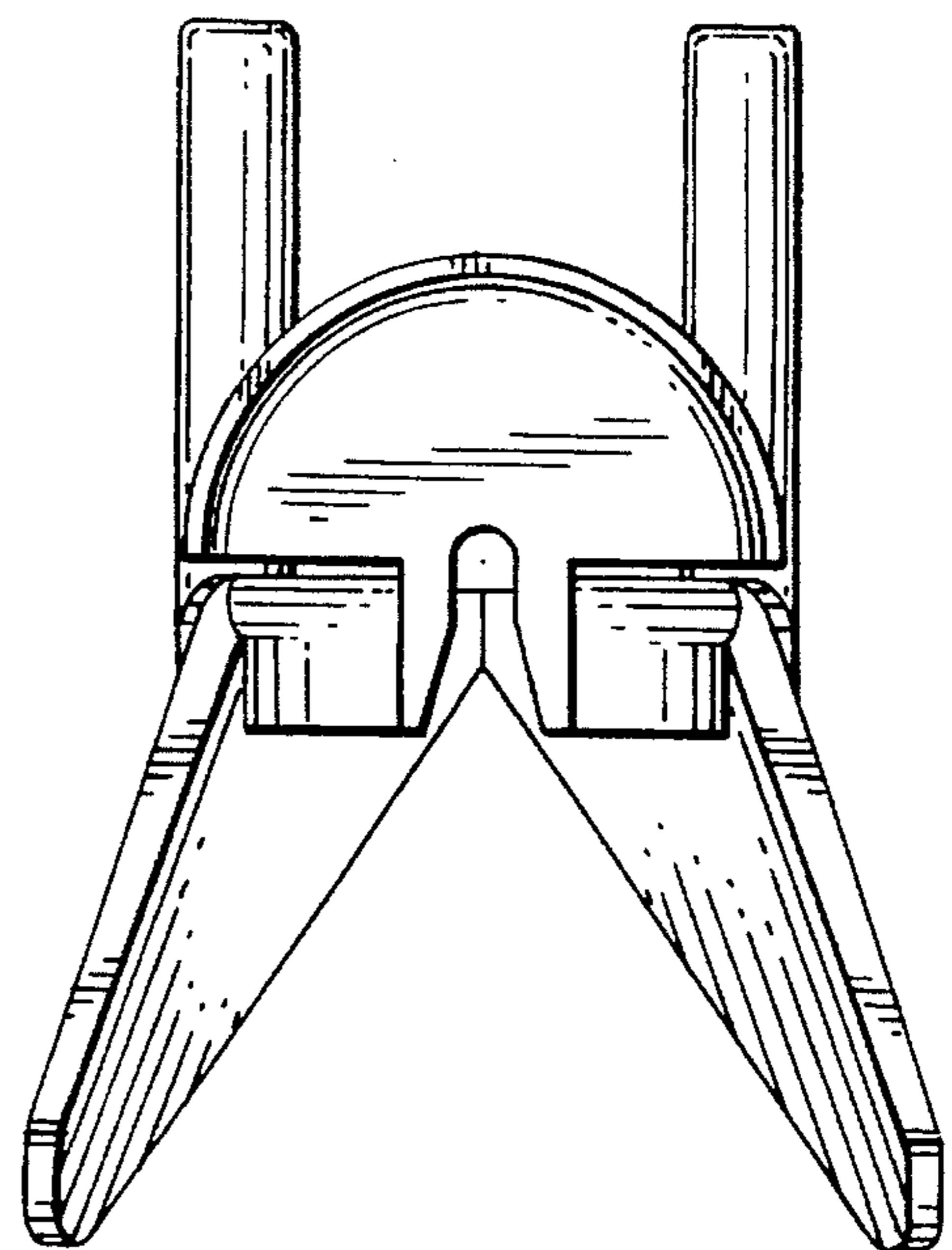


FIG. 7.