



US00D378891S

# United States Patent [19] Sung

[11] Patent Number: **Des. 378,891**

[45] Date of Patent: **\*\*Apr. 22, 1997**

[54] **IMPACT WRENCH**

[76] Inventor: **Eric Sung**, No. 27 Lane 4, Ji-Lung Road, Ta-Li, Taichung County, Taiwan

[\*\*] Term: **14 Years**

[21] Appl. No.: **43,846**

[22] Filed: **Sep. 11, 1995**

[52] U.S. Cl. .... **D8/68**

[58] Field of Search ..... D8/61, 62, 68;  
D15/124, 132; 81/54, 57.13, 57.14, 177.1,  
177.85; 140/122, 124; 173/169, 170; 239/525,  
526, 527, 528, 589; 408/124, 125

[56] **References Cited**

**U.S. PATENT DOCUMENTS**

D. 340,396	10/1993	Ichikawa	.....	D8/68
D. 344,878	3/1994	Izumisawa	.	
D. 358,314	5/1995	Izumisawa	.	
4,204,580	5/1980	Nally	.....	173/170
4,886,215	12/1989	Ruud	.....	239/526
5,035,161	7/1991	Huang	.....	81/54

**OTHER PUBLICATIONS**

RODAC 4103 Air Hammer, RODAC Industrial Air Tools Catalog RIT75, p. 18.

Zone King Air Impact Wrench Modek AK-502, Zone King Industrial Co., Ltd. Catalog, p. 3.

RF® Air Hammer Model RF-502, RF® Air Tools Poster. *Automotive Power Tools*, Ingersoll-Rand Catalog, 1992, pp. 10, 12 and 13.

*Automotive Air Tools*, Chicago Pneumatic Catalog, Mar. 1990, p. 2.

*Hardware Catalog*, Dec. 1986, p. 107.

Primary Examiner—James M. Gandy  
Assistant Examiner—Robert M. Spear

[57] **CLAIM**

The ornamental design for an impact wrench, as shown and described.

**DESCRIPTION**

FIG. 1 is a left-side view of the impact wrench, showing my new design;

FIG. 2 is a rear view thereof;

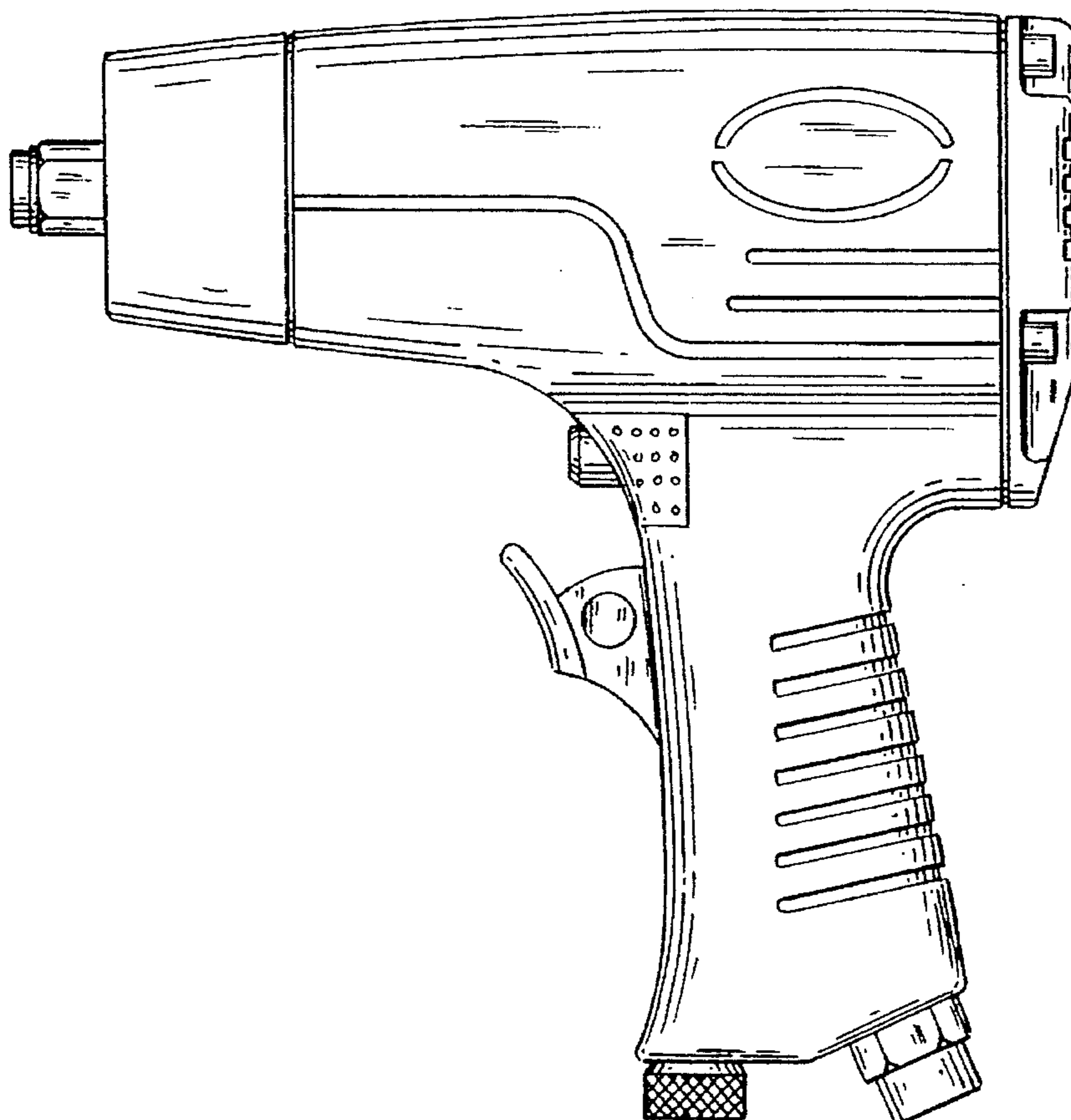
FIG. 3 is a top view thereof;

FIG. 4 is a right-side view thereof;

FIG. 5 is a front view thereof; and,

FIG. 6 is a bottom view thereof.

**1 Claim, 2 Drawing Sheets**



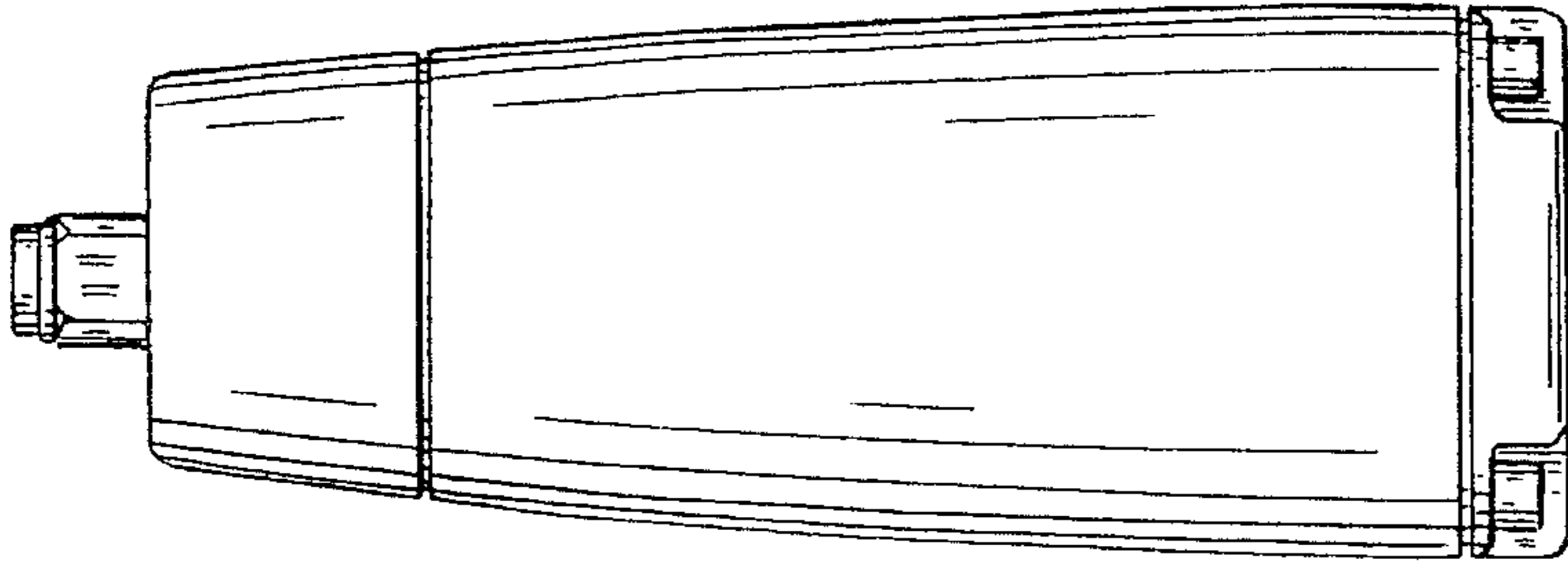


FIG. 3

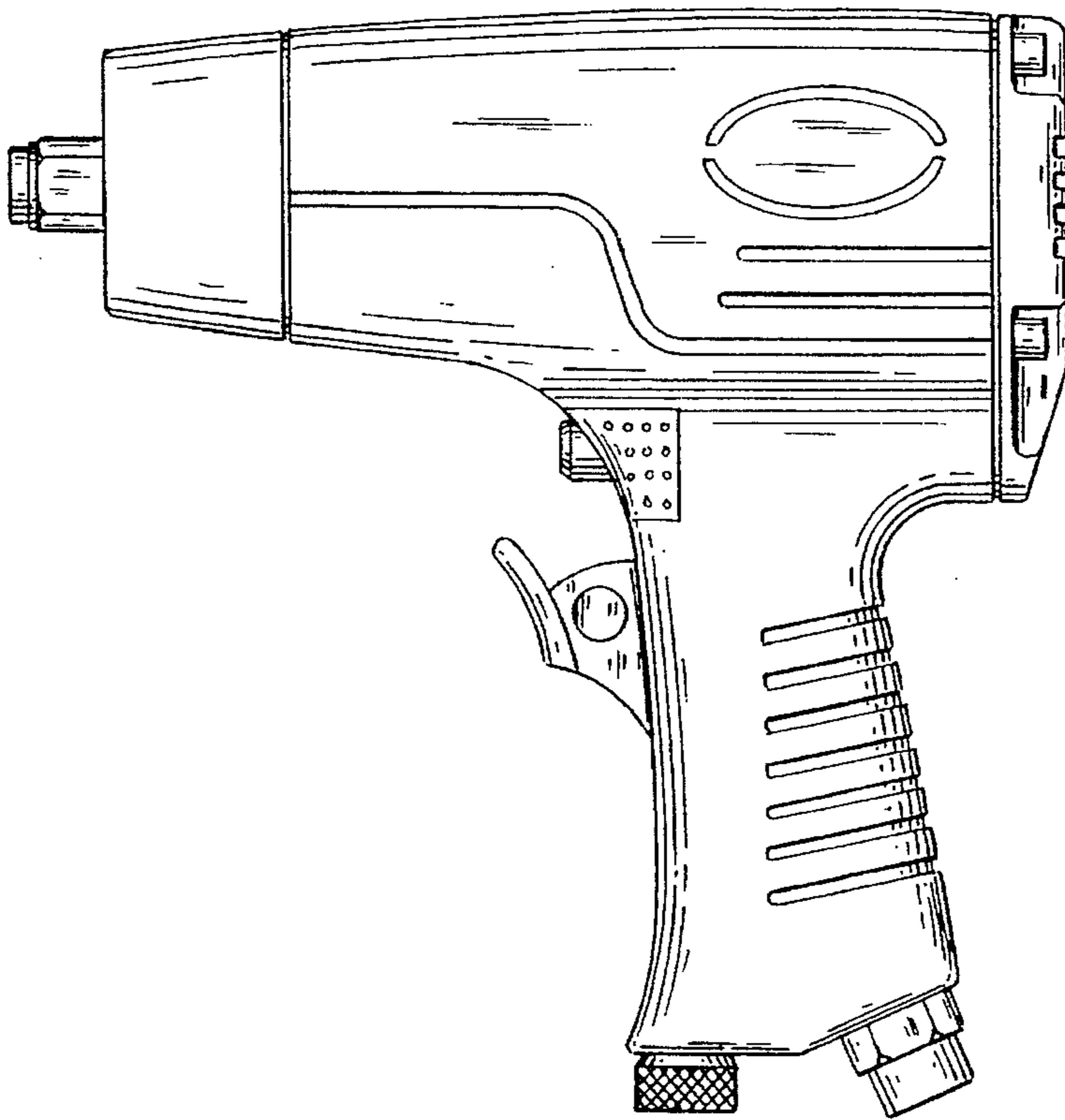


FIG. 1

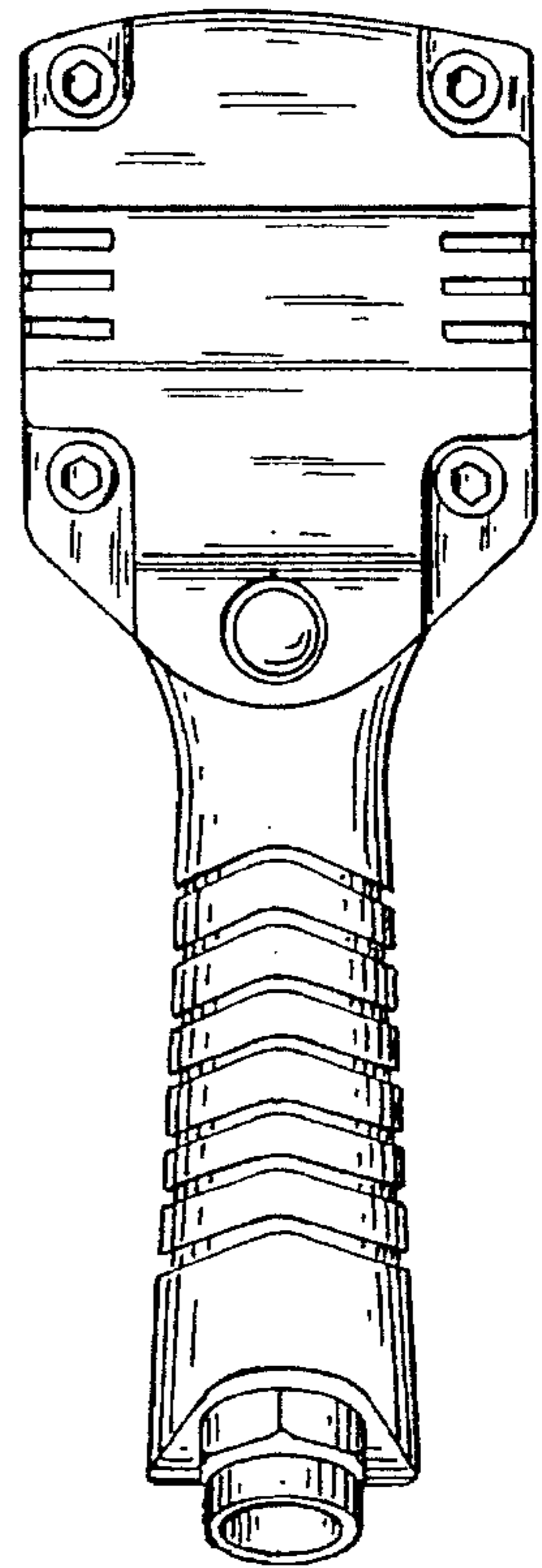


FIG. 2

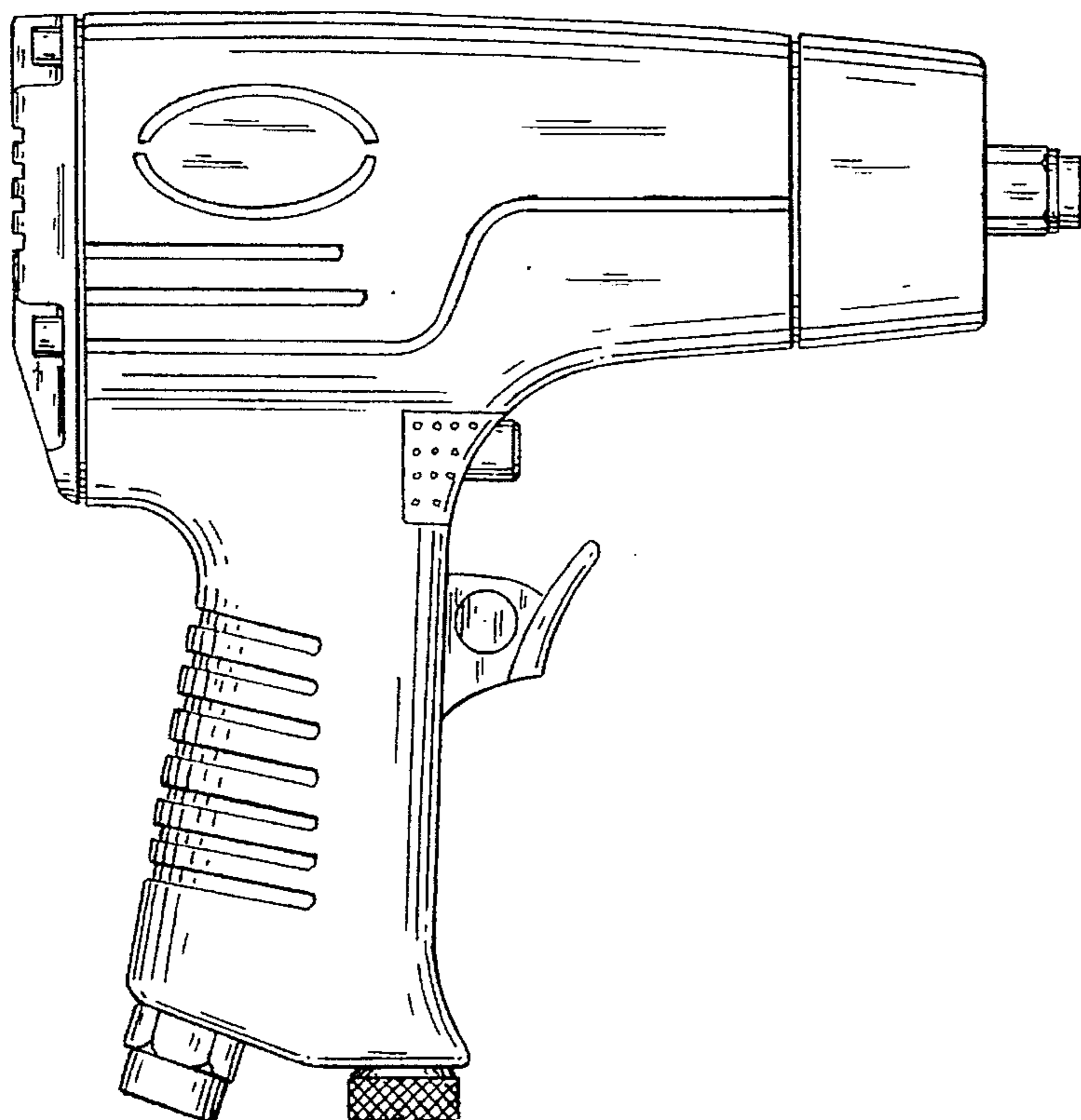


FIG. 4

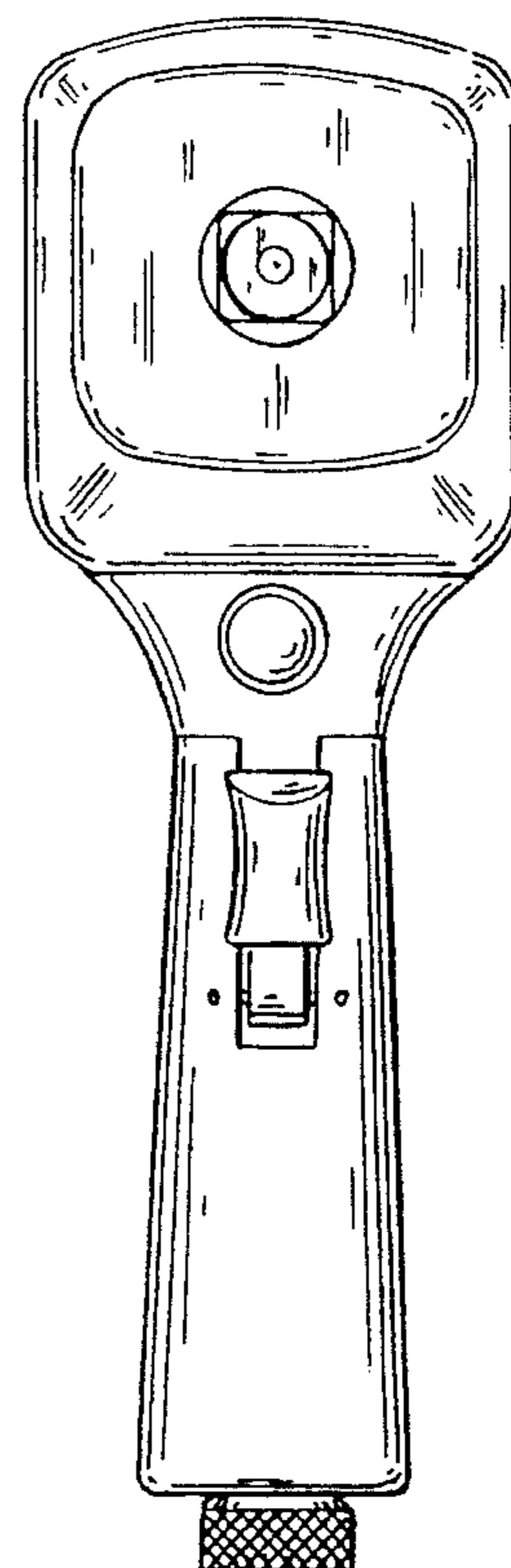


FIG. 5

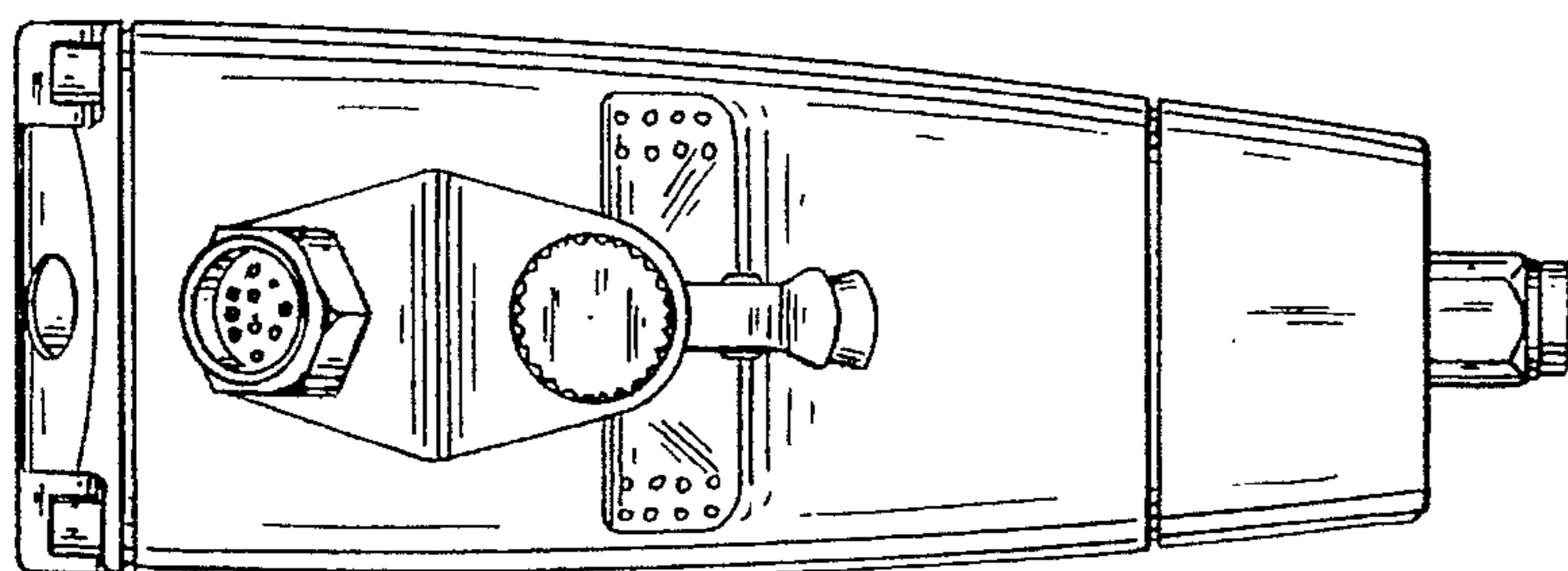


FIG. 6

UNITED STATES PATENT AND TRADEMARK OFFICE  
**CERTIFICATE OF CORRECTION**

PATENT NO. : Des. 378,891  
DATED : April 22, 1997  
INVENTOR(S) : Eric Sung

It is certified that error appears in the above-identified patent and that said Letters Patent is hereby corrected as shown below:

On the Title Page:

Under “[56] References” for “Other Publications” delete “Modek AK-502,”  
and insert --Model ZK-502--.

Under “[56] References” for “Other Publication” delete “Chicago  
Pnematic” and insert --Chicago Pneumatic--.

Signed and Sealed this  
Fourth Day of August, 1998



*Attest:*

BRUCE LEHMAN

*Attesting Officer*

*Commissioner of Patents and Trademarks*

UNITED STATES PATENT AND TRADEMARK OFFICE  
**CERTIFICATE OF CORRECTION**

PATENT NO. : Des. 378,891  
DATED : April 22, 1997  
INVENTOR(S) : Eric Sung

It is certified that error appears in the above-identified patent and that said Letters Patent is hereby corrected as shown below:

On the Title Page:

Insert--[73] Assignee: K.K.U. Limited, Tokyo, Japan--

Signed and Sealed this  
First Day of December, 1998

Attest:



BRUCE LEHMAN

Attesting Officer

Commissioner of Patents and Trademarks