



US00D378889S

United States Patent [19]

Simon

[11] Patent Number: **Des. 378,889**

[45] Date of Patent: ****Apr. 22, 1997**

[54] **RADIO LUNCH BOX**

[76] Inventor: **Jay R. Simon**, 2921 Lake Arnold Pl., Orlando, Fla. 32806

[**] Term: **14 Years**

[21] Appl. No.: **49,326**

[22] Filed: **Jan. 22, 1996**

[52] U.S. Cl. **D7/710**; D14/168

[58] Field of Search D7/709, 710, 628; D14/160-165, 168; 62/371, 457.1, 457.6, 457.7; 206/223, 541, 542, 545, 549; 220/404, 410, 412, 528, DIG. 10

[56] **References Cited**

U.S. PATENT DOCUMENTS

D. 347,765	6/1994	Unkefeiz	D7/605
D. 365,733	1/1996	Freedland	D7/710
5,235,822	8/1993	Leonovich, Jr.	62/371 X

Primary Examiner—Terry A. Wallace
Attorney, Agent, or Firm—Robert M. Schwartz

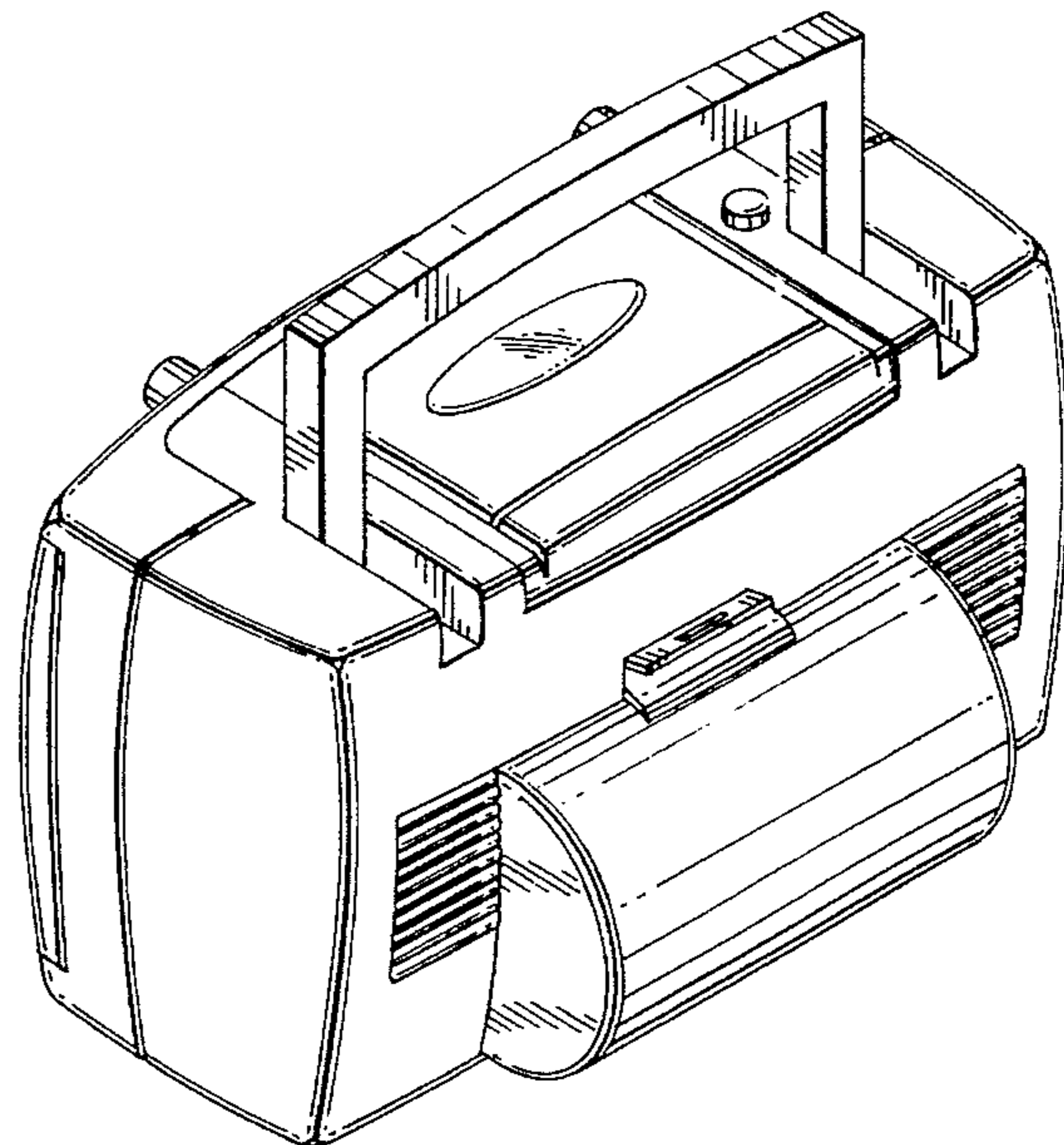
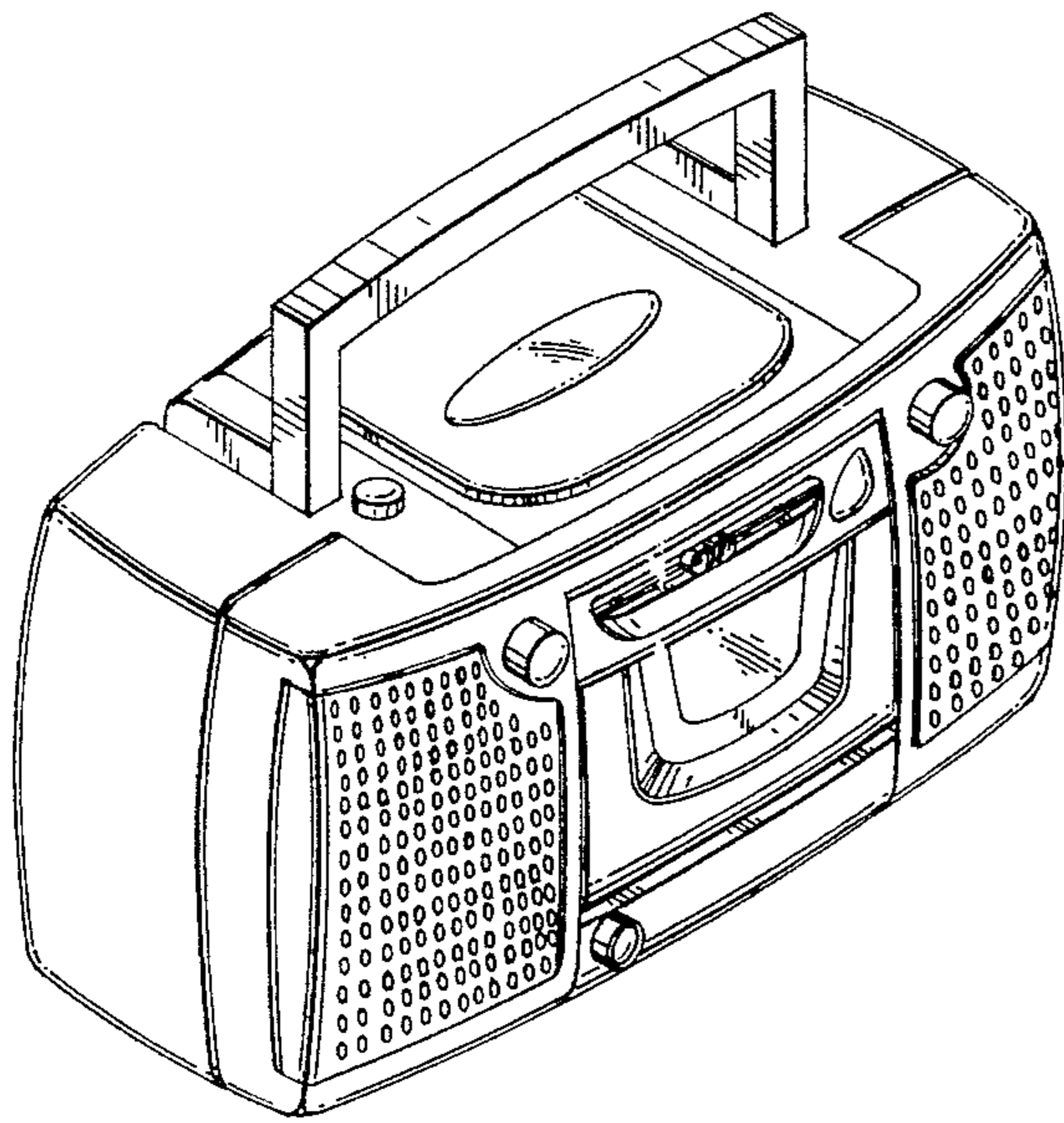
[57] **CLAIM**

The ornamental design of a radio lunch box, as shown and described.

DESCRIPTION

FIG. 1 is a front perspective view of a radio lunch box showing my new design;
FIG. 2 is a rear perspective view thereof;
FIG. 3 is a front elevation view thereof;
FIG. 4 is a top plan view thereof;
FIG. 5 is a bottom plan view thereof;
FIG. 6 is a rear elevation view thereof;
FIG. 7 is a left side elevation view thereof; and,
FIG. 8 is a right side elevation view thereof.

1 Claim, 3 Drawing Sheets



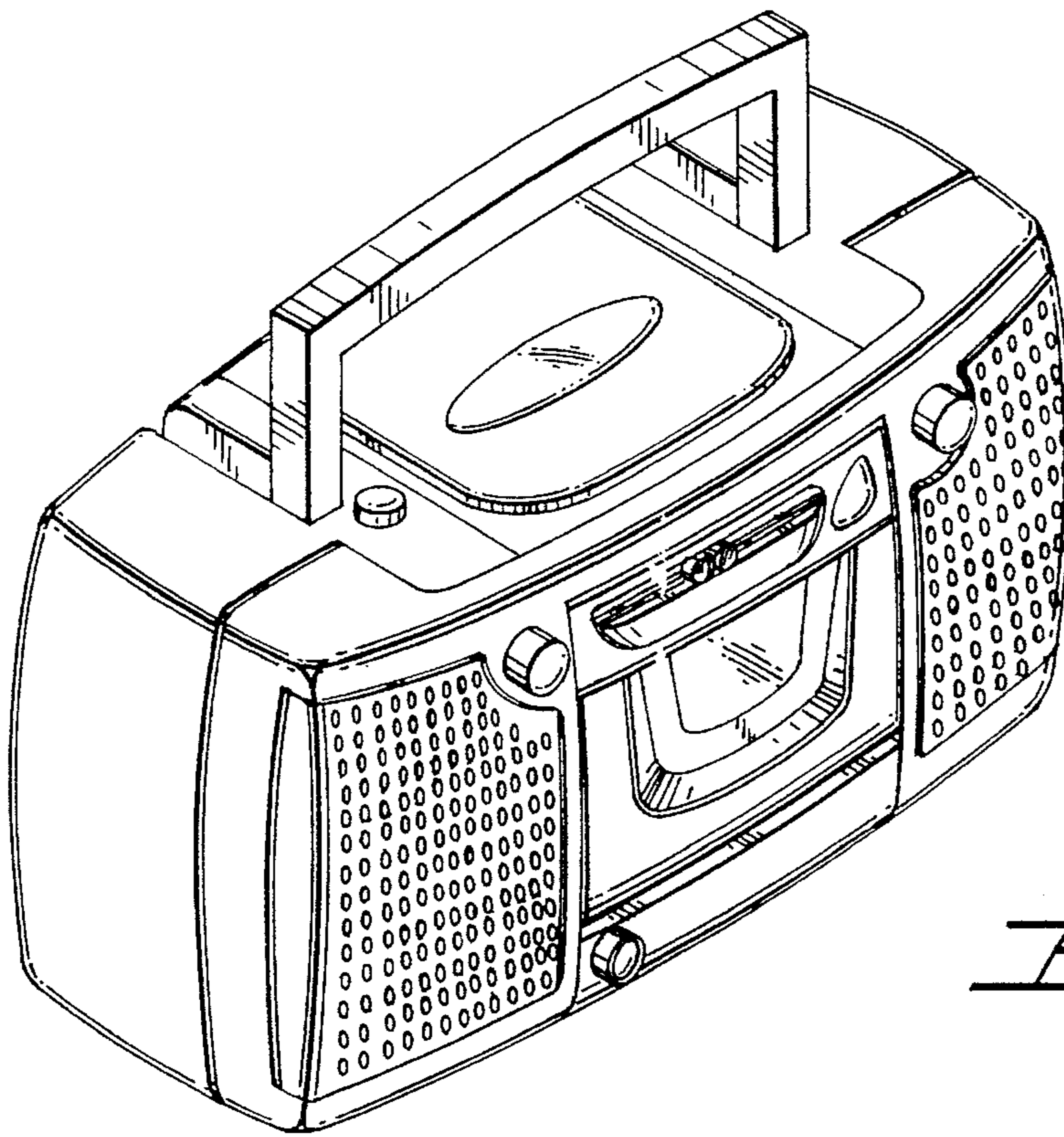


FIG. 1.

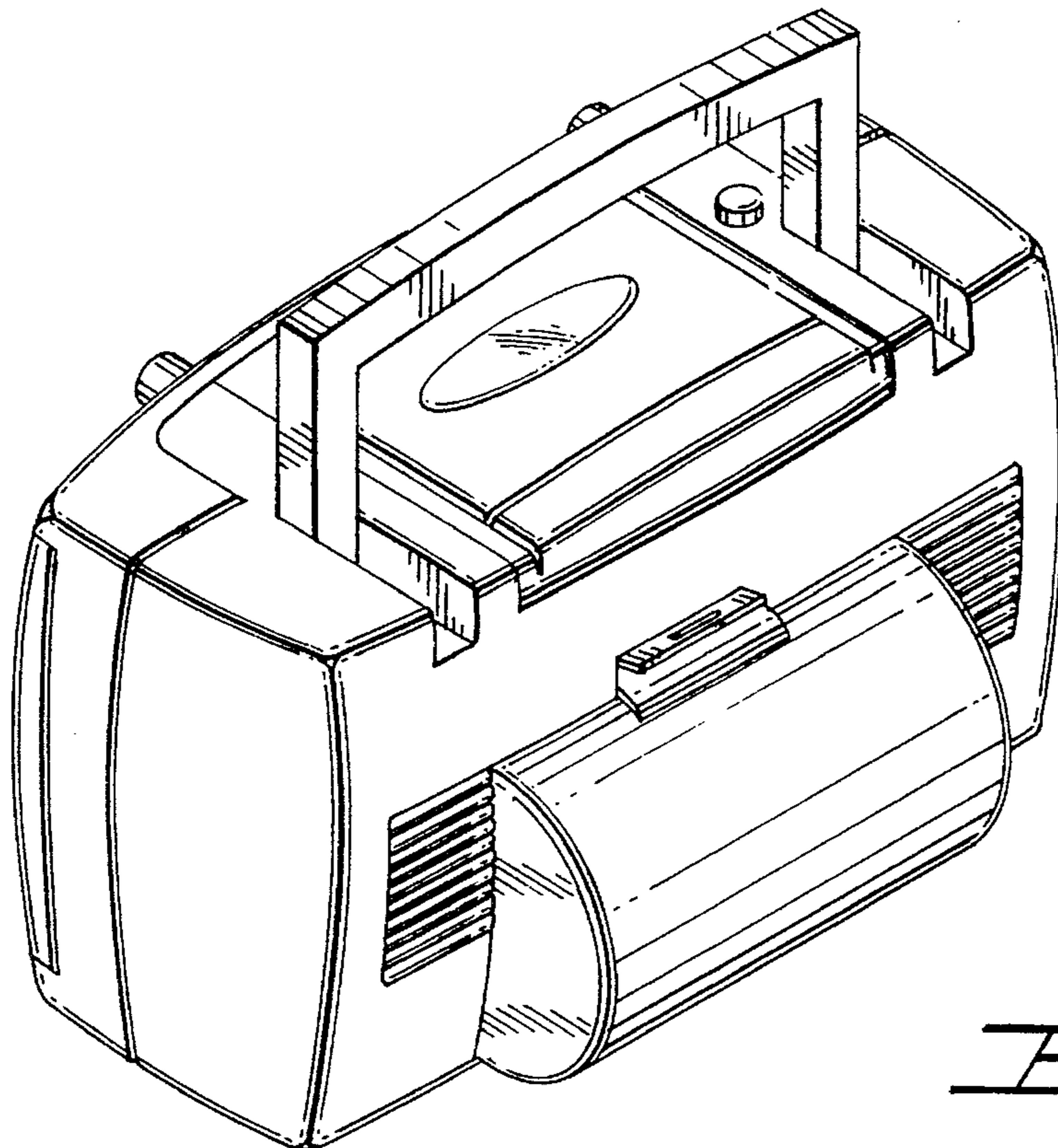


FIG. 2.

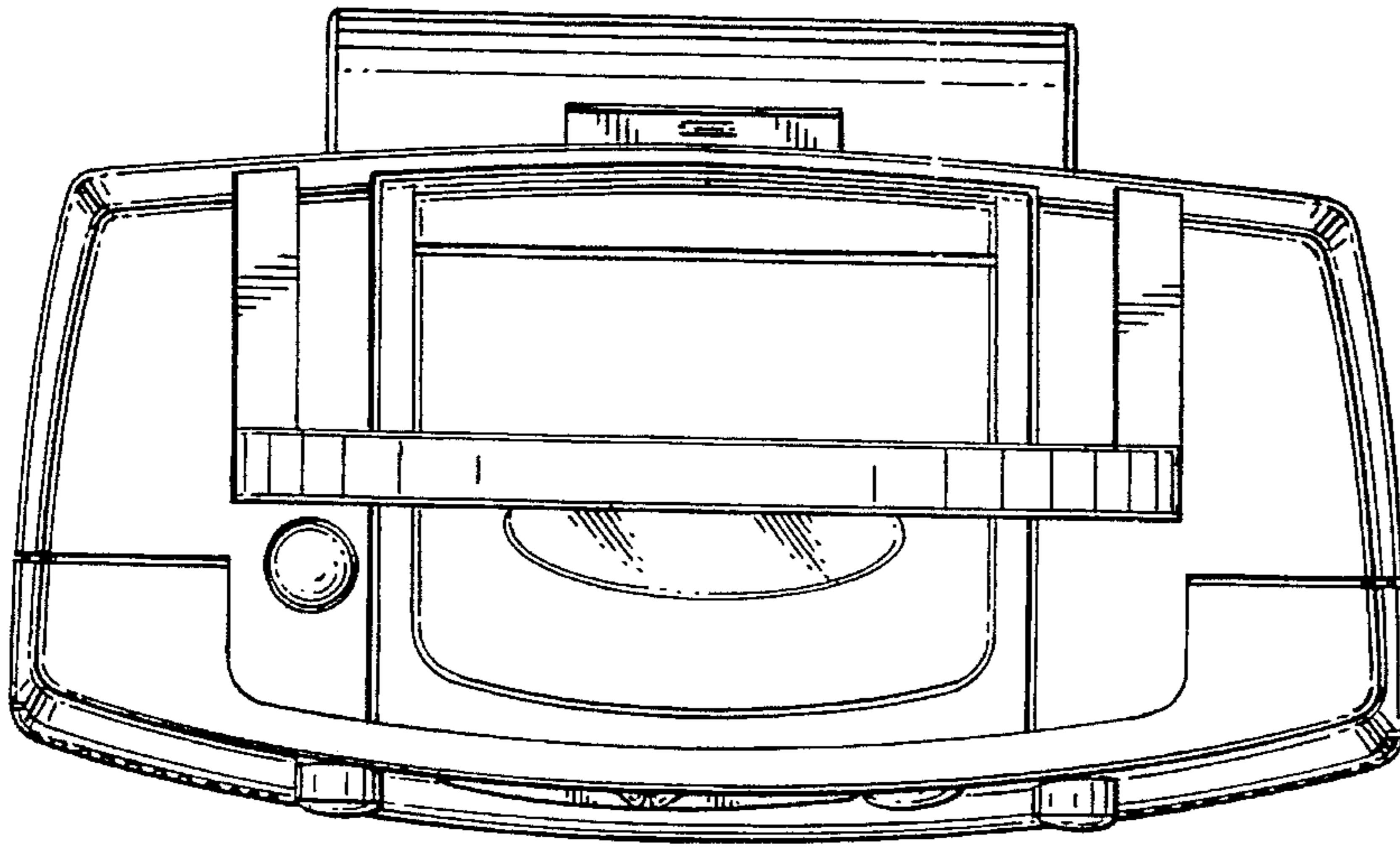


FIG. 4.

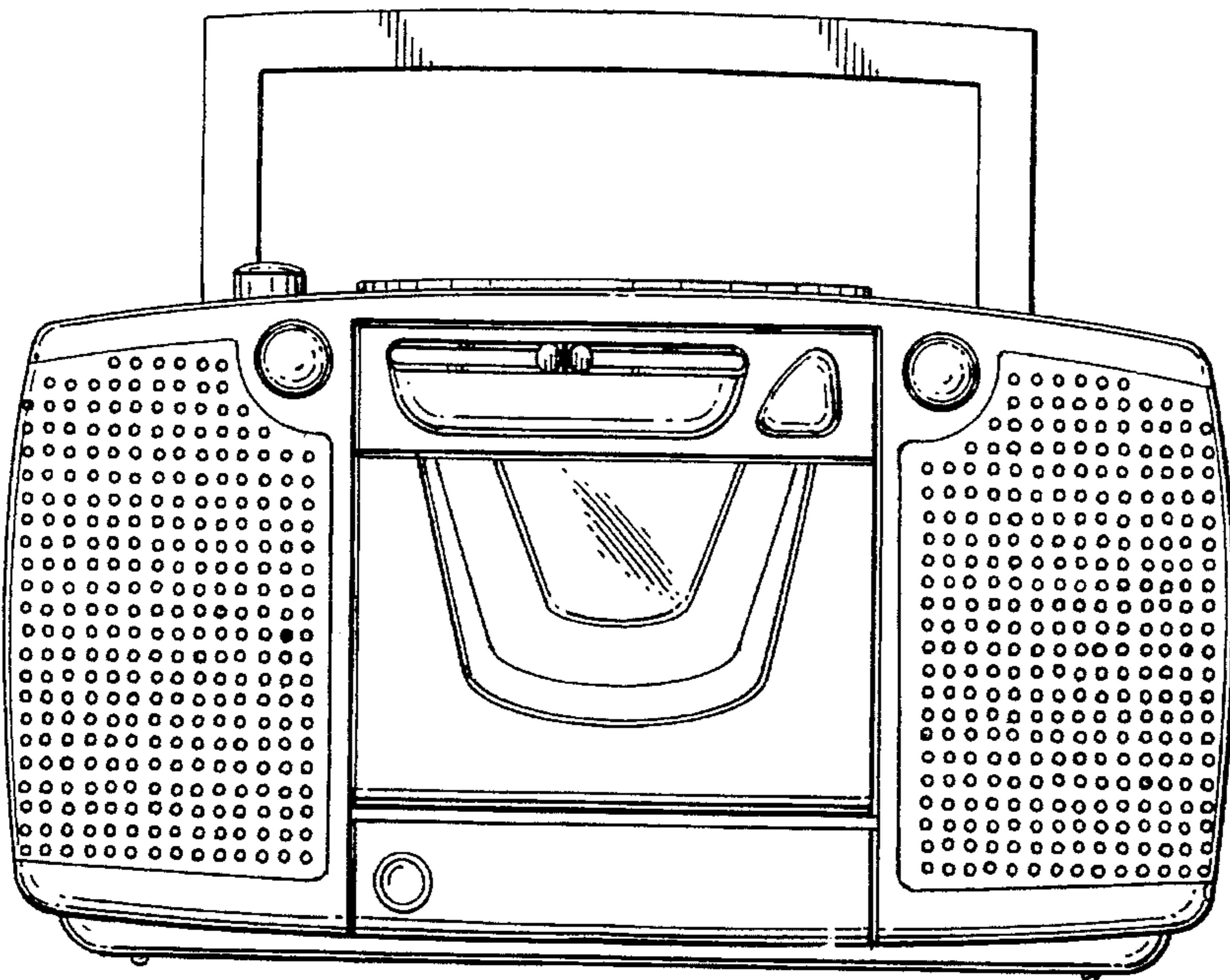


FIG. 3.

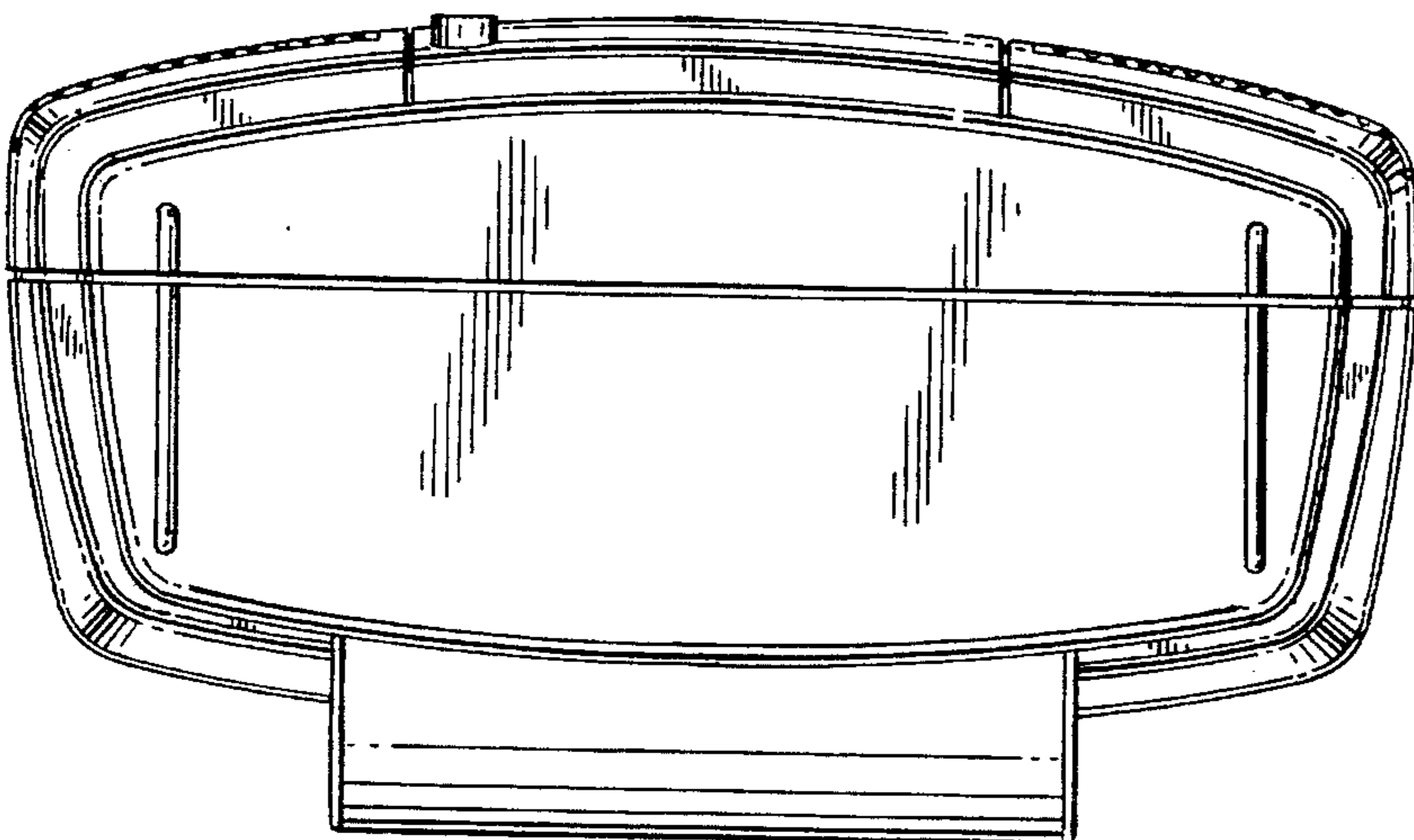


FIG. 5.

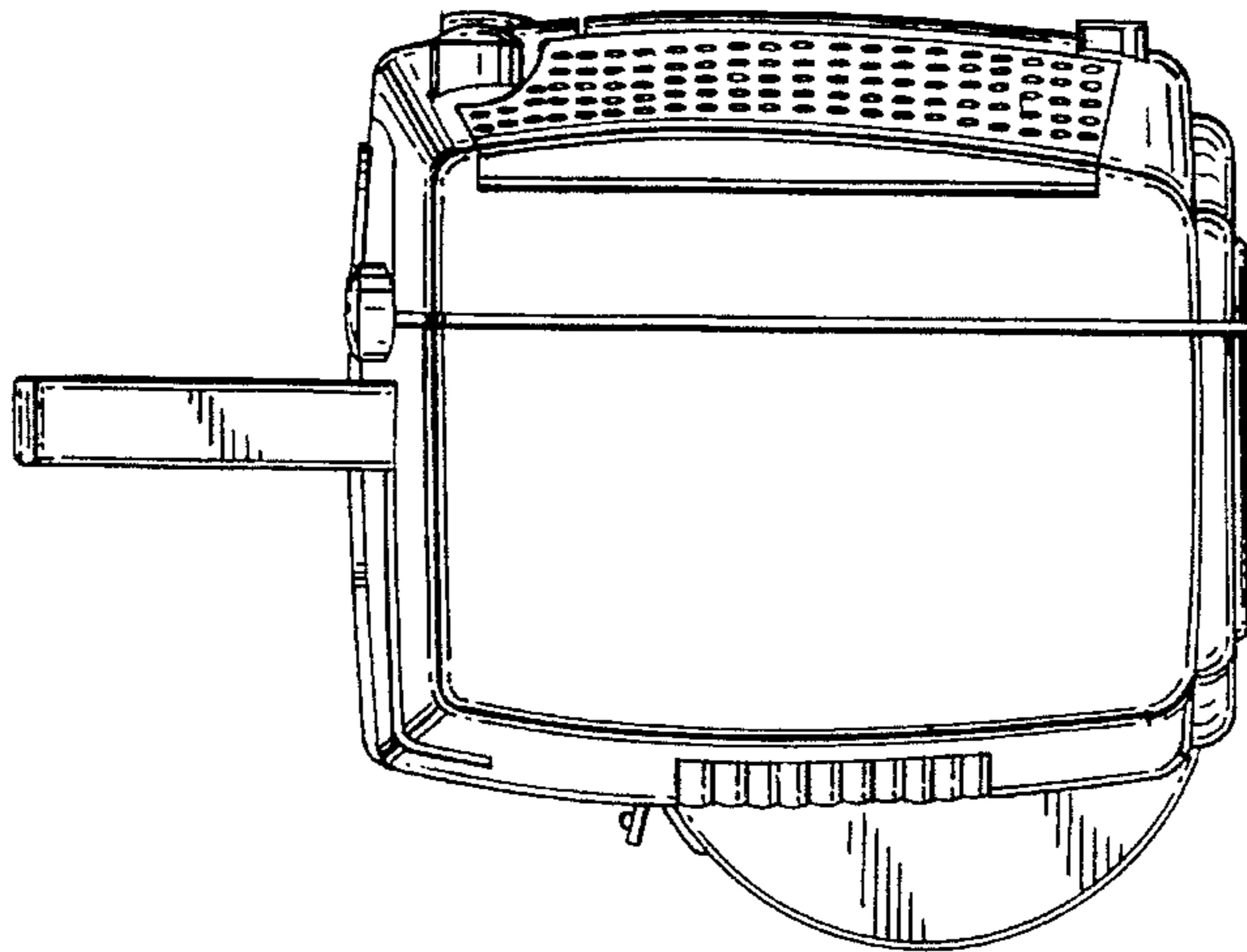


FIG. 1

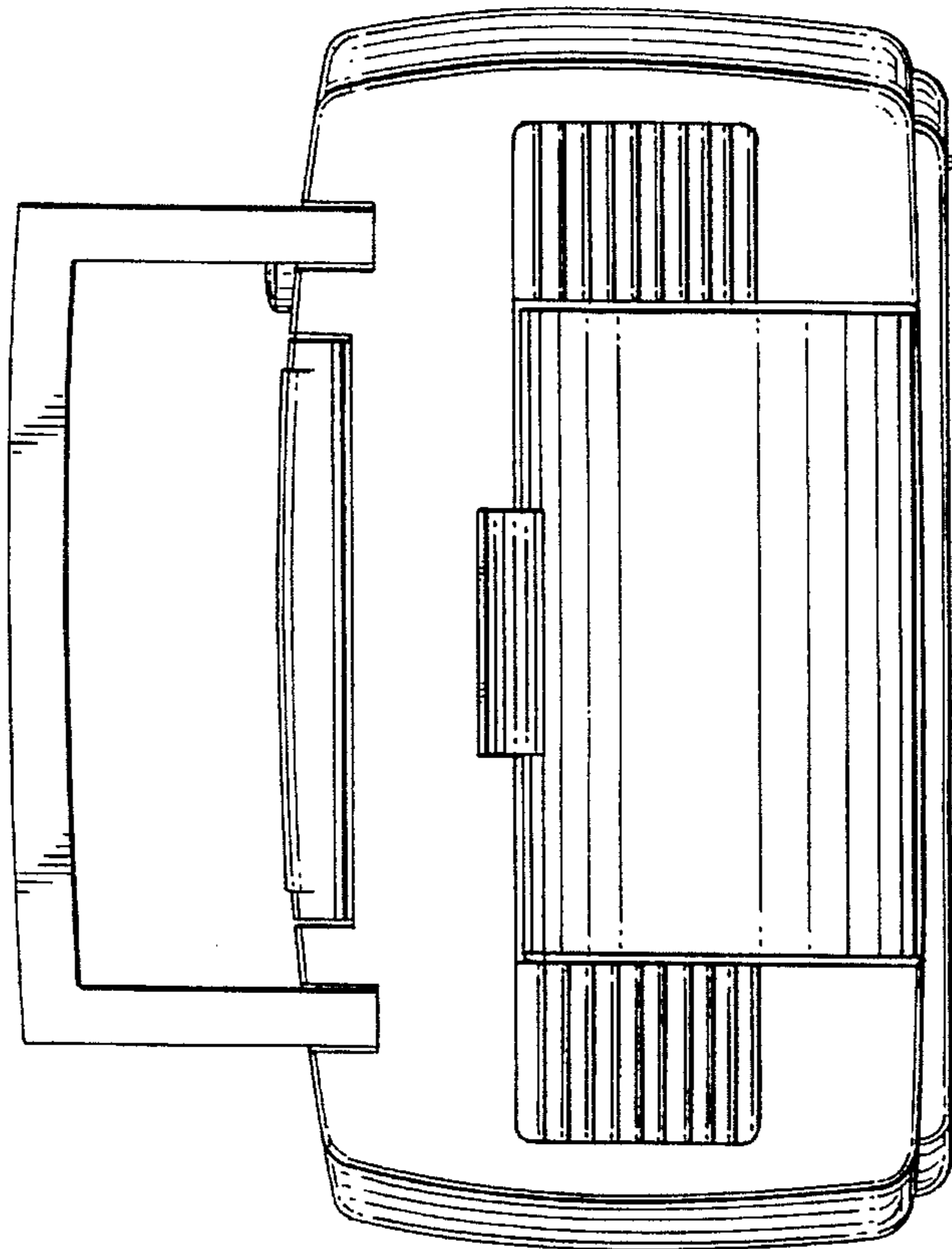


FIG. 2

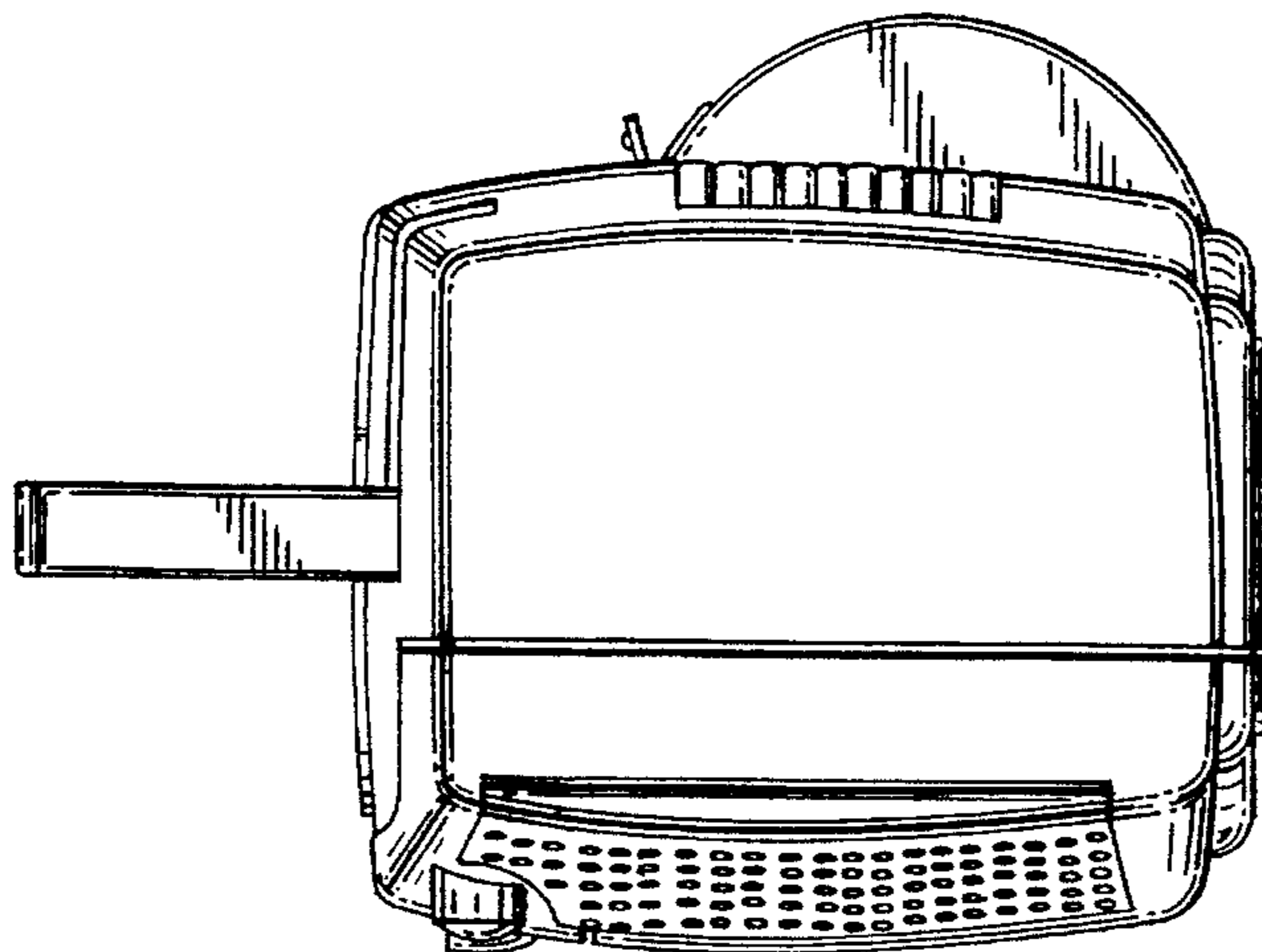


FIG. 3