



US00D378887S

United States Patent [19]
Joergensen

[11] **Patent Number: Des. 378,887**
[45] **Date of Patent: **Apr. 22, 1997**

[54] **SUGAR BOWL**

[75] Inventor: **Carsten Joergensen**, Kriens,
Switzerland

[73] Assignee: **Pi-Design AG**, Switzerland

[**] Term: **14 Years**

[21] Appl. No.: **41,327**

[22] Filed: **Jun. 27, 1995**

[30] **Foreign Application Priority Data**

Jan. 5, 1995 [ES] Spain 134158
[52] **U.S. Cl.** **D7/590**
[58] **Field of Search** D7/500, 543-545,
D7/590, 586, 587; 222/356

[56] **References Cited**

U.S. PATENT DOCUMENTS

D. 55,271 5/1920 Hirsch D7/590
D. 351,088 10/1994 Hsiao D7/543
1,218,092 3/1917 Larsen D7/590 X

OTHER PUBLICATIONS

Schönce Wohnen, Jun. 1982, p. 122 SW, bowl with support,
top right corner & middle of page.

Primary Examiner—Terry A. Wallace
Attorney, Agent, or Firm—Merchant, Gould Smith, Edell
Welter and Schmidt

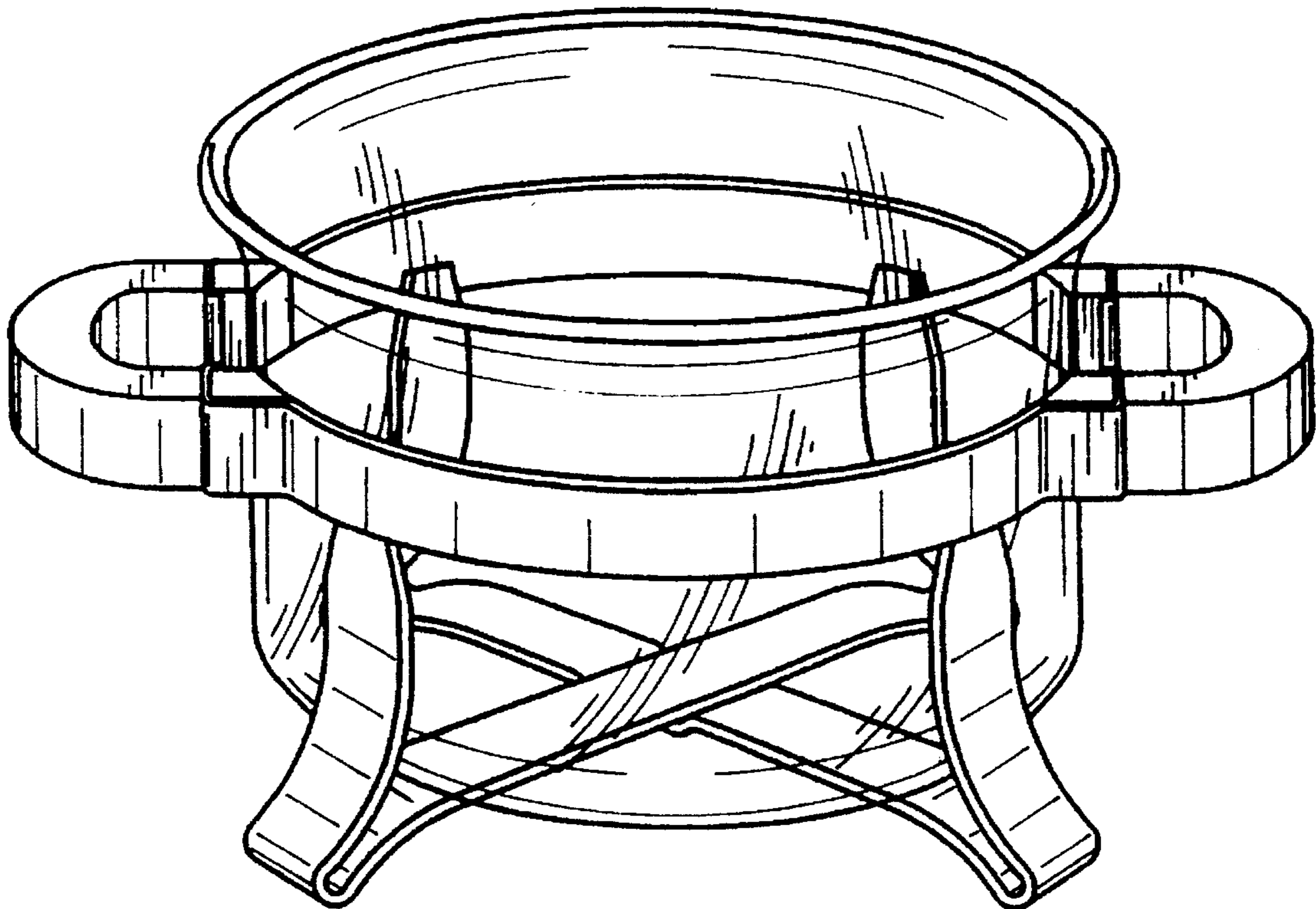
[57] **CLAIM**

The ornamental design for a sugar bowl, as shown and
described.

DESCRIPTION

FIG. 1 is a perspective view of a sugar bowl showing my
new design;
FIG. 2 is a right side elevation view thereof;
FIG. 3 is a left side elevation view thereof;
FIG. 4 is a front elevation view thereof;
FIG. 5 is a rear elevation view thereof;
FIG. 6 is a top plan view thereof; and,
FIG. 7 is a bottom plan view thereof.

1 Claim, 7 Drawing Sheets



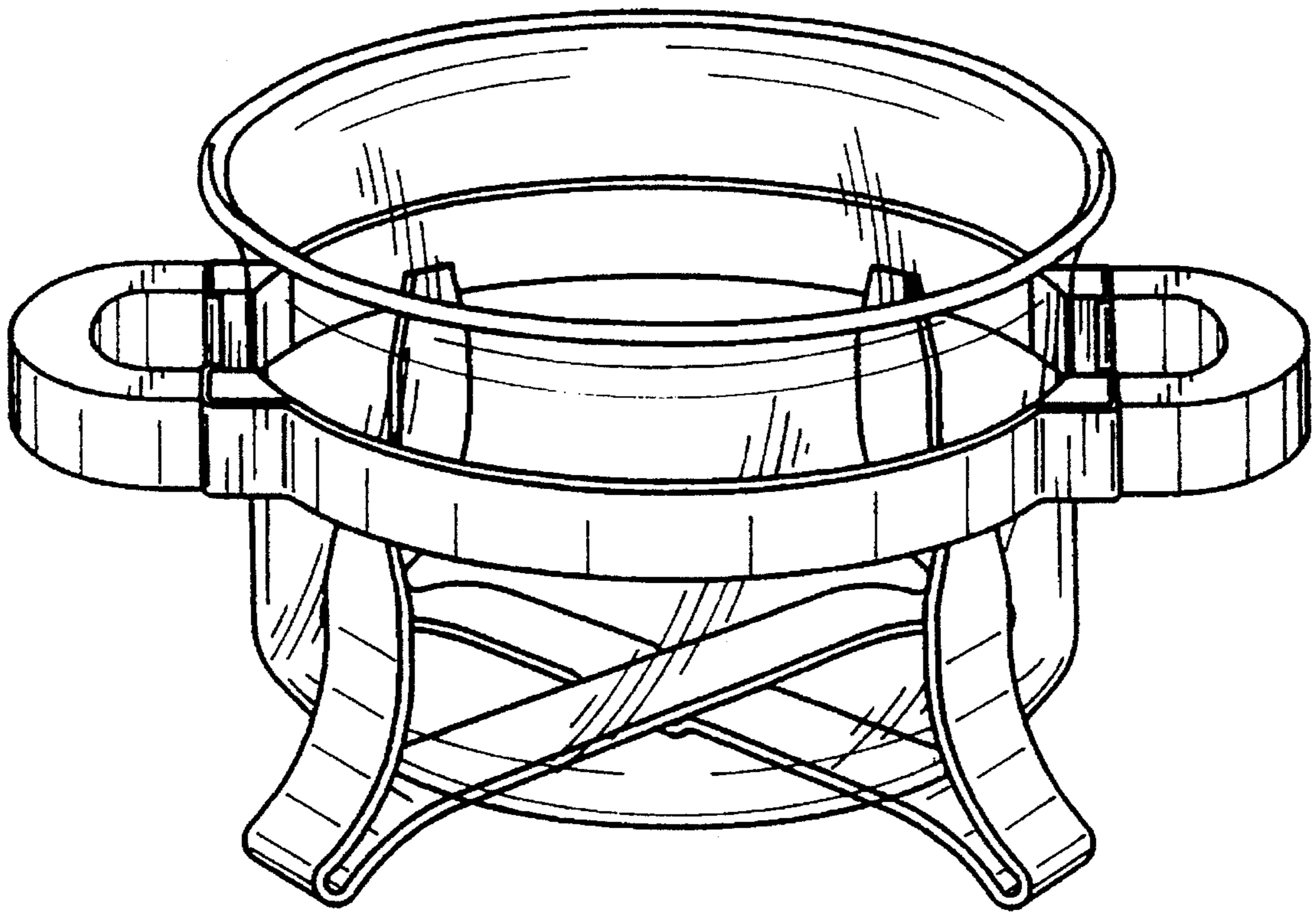


FIG. 1

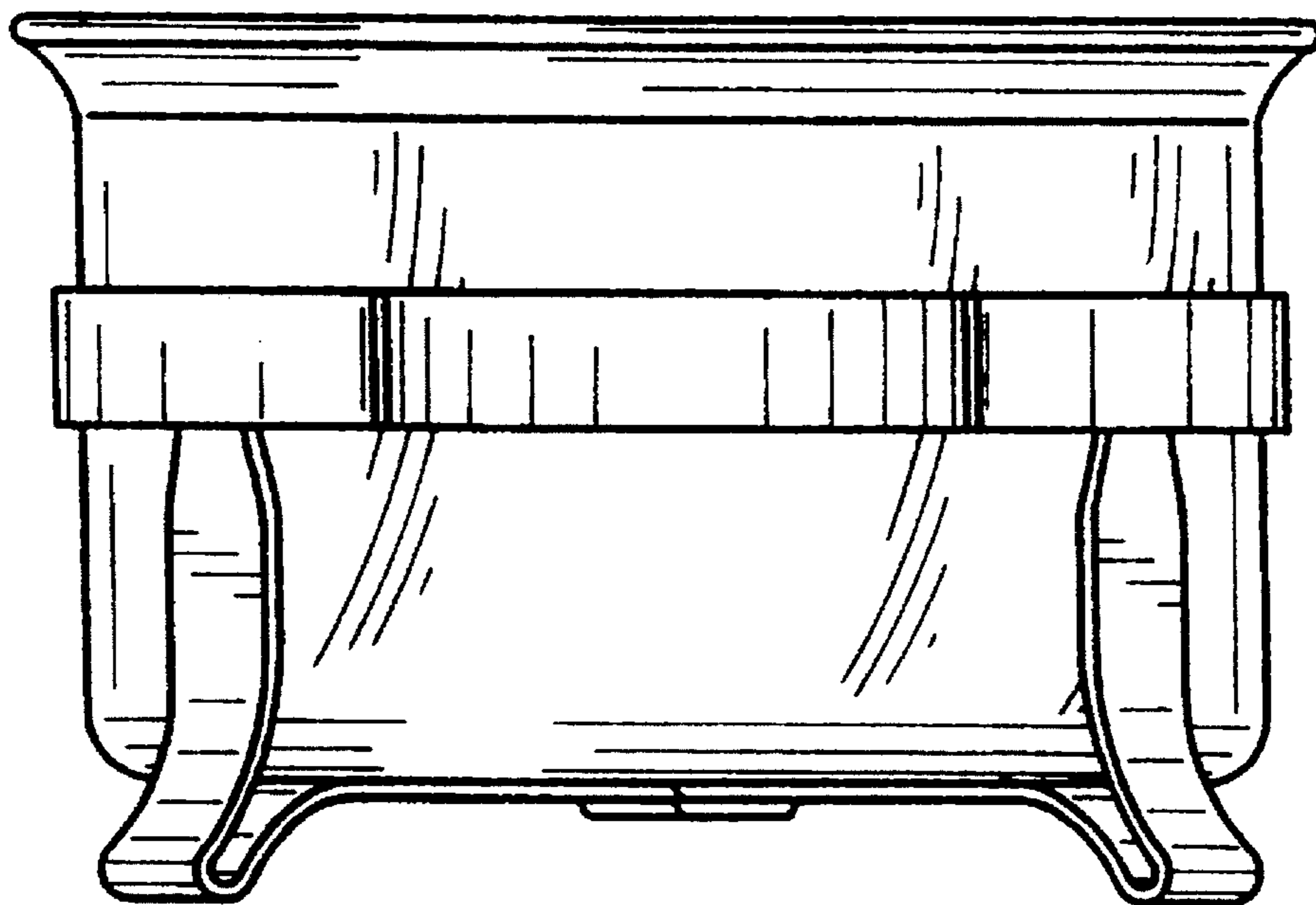


FIG. 2

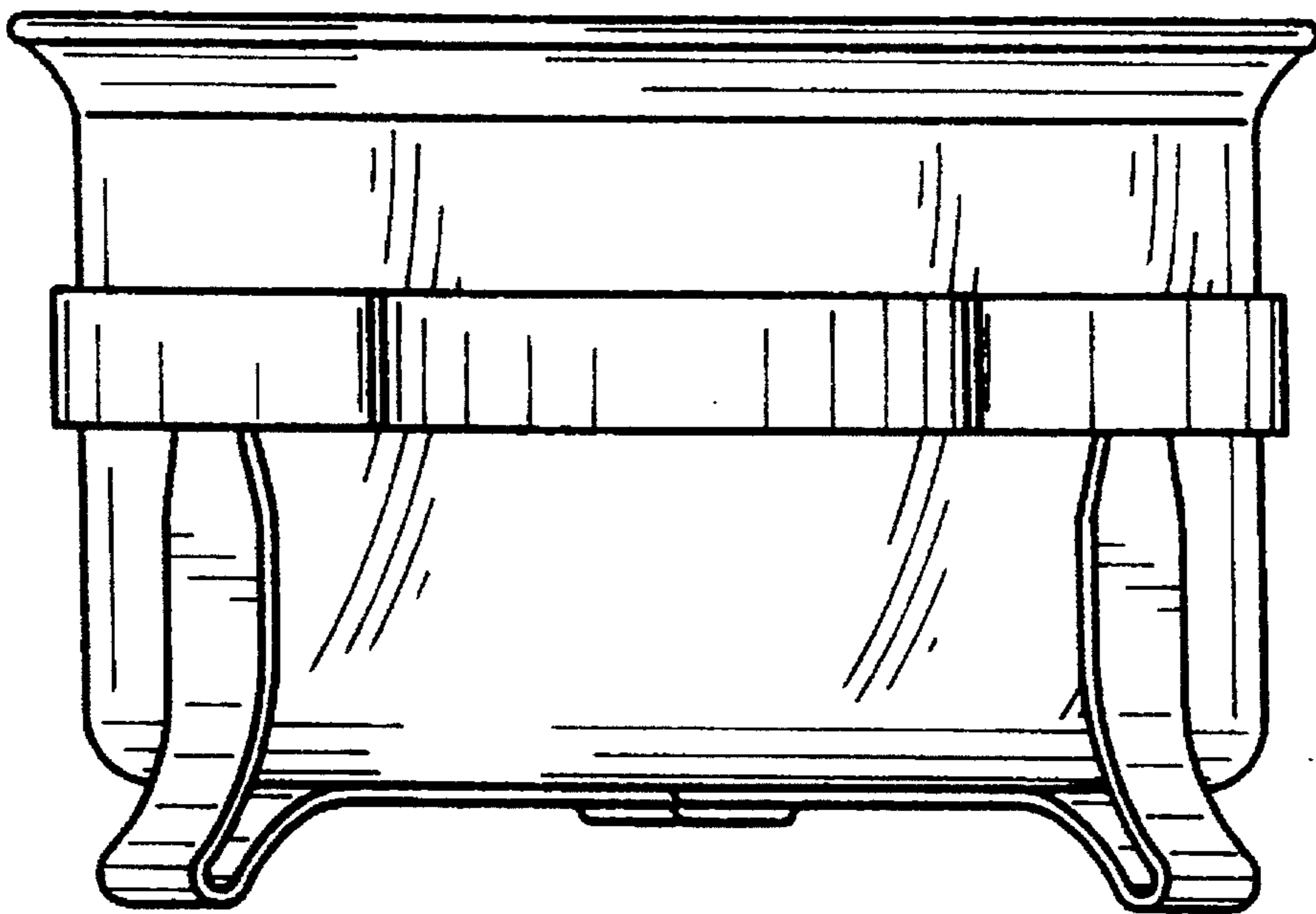


FIG. 3

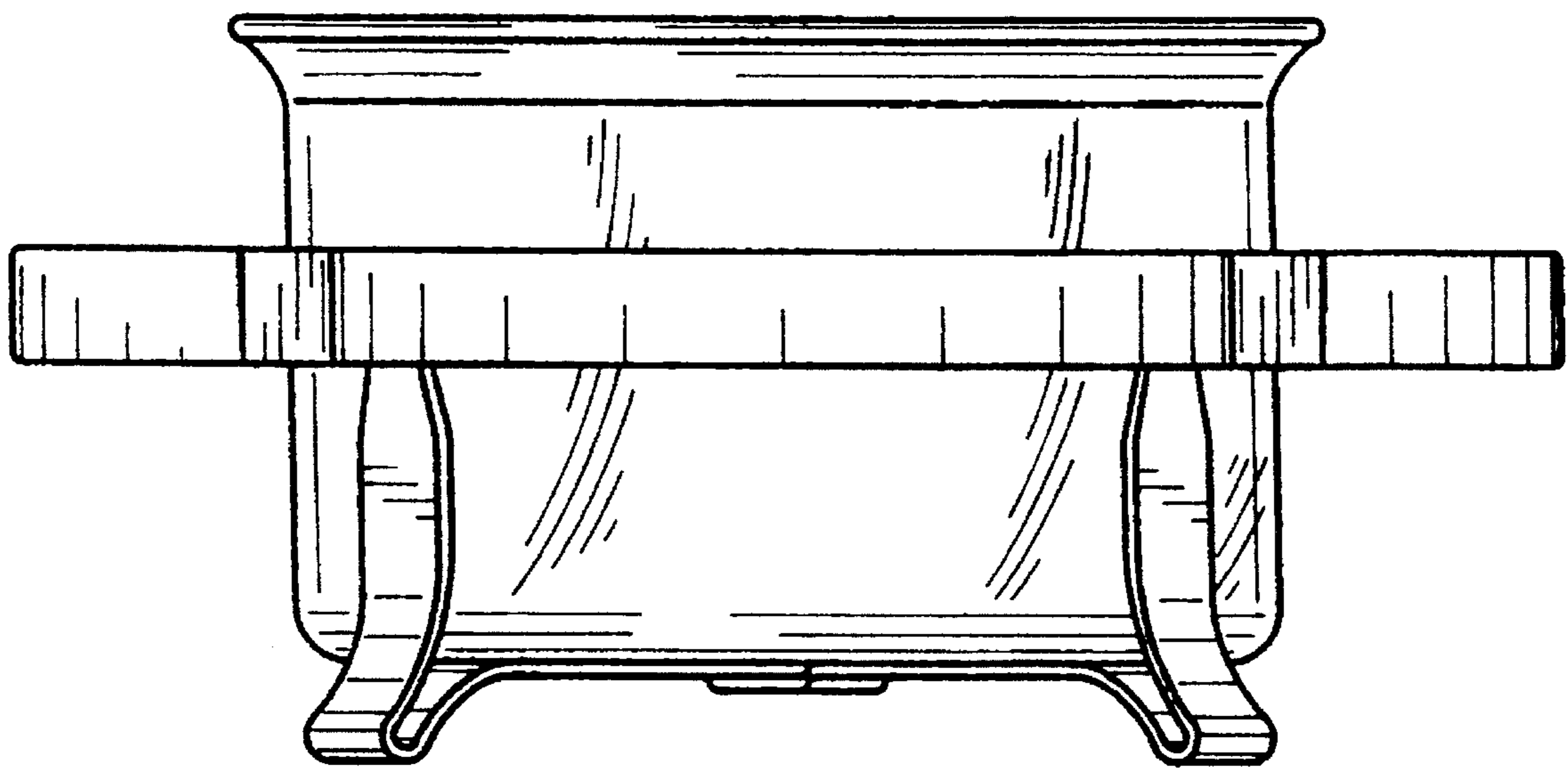


FIG. 4

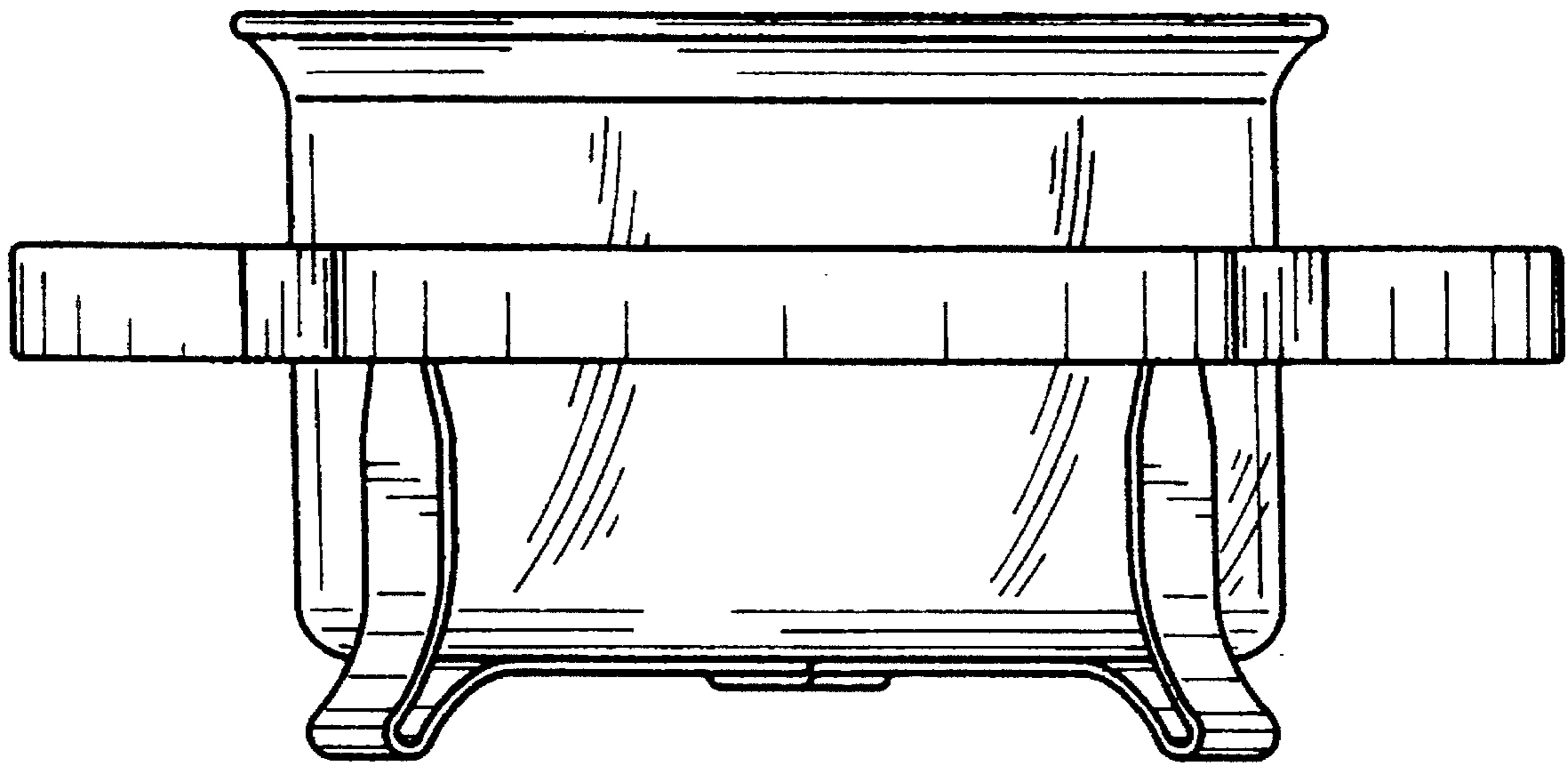


FIG. 5

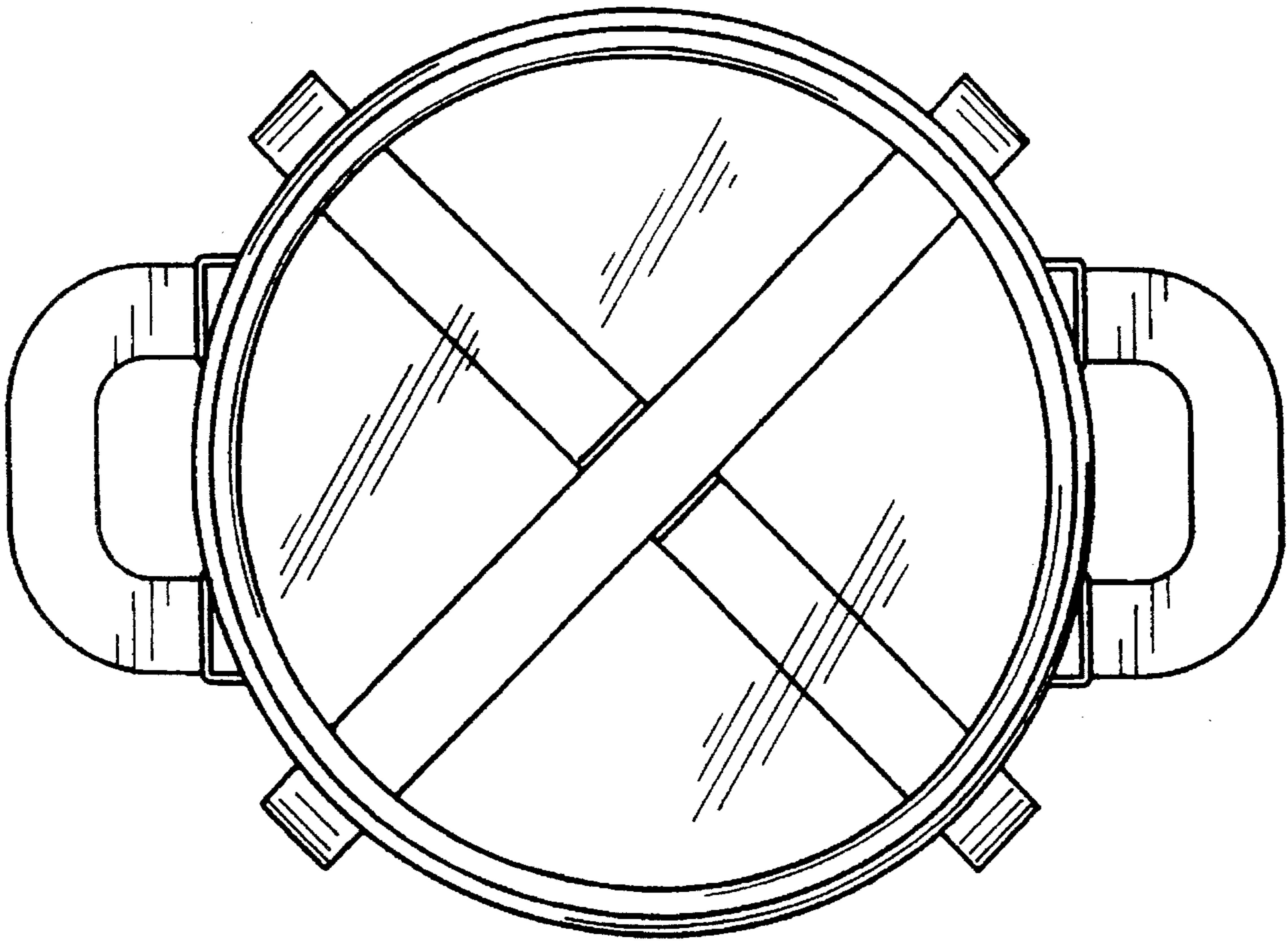


FIG. 6

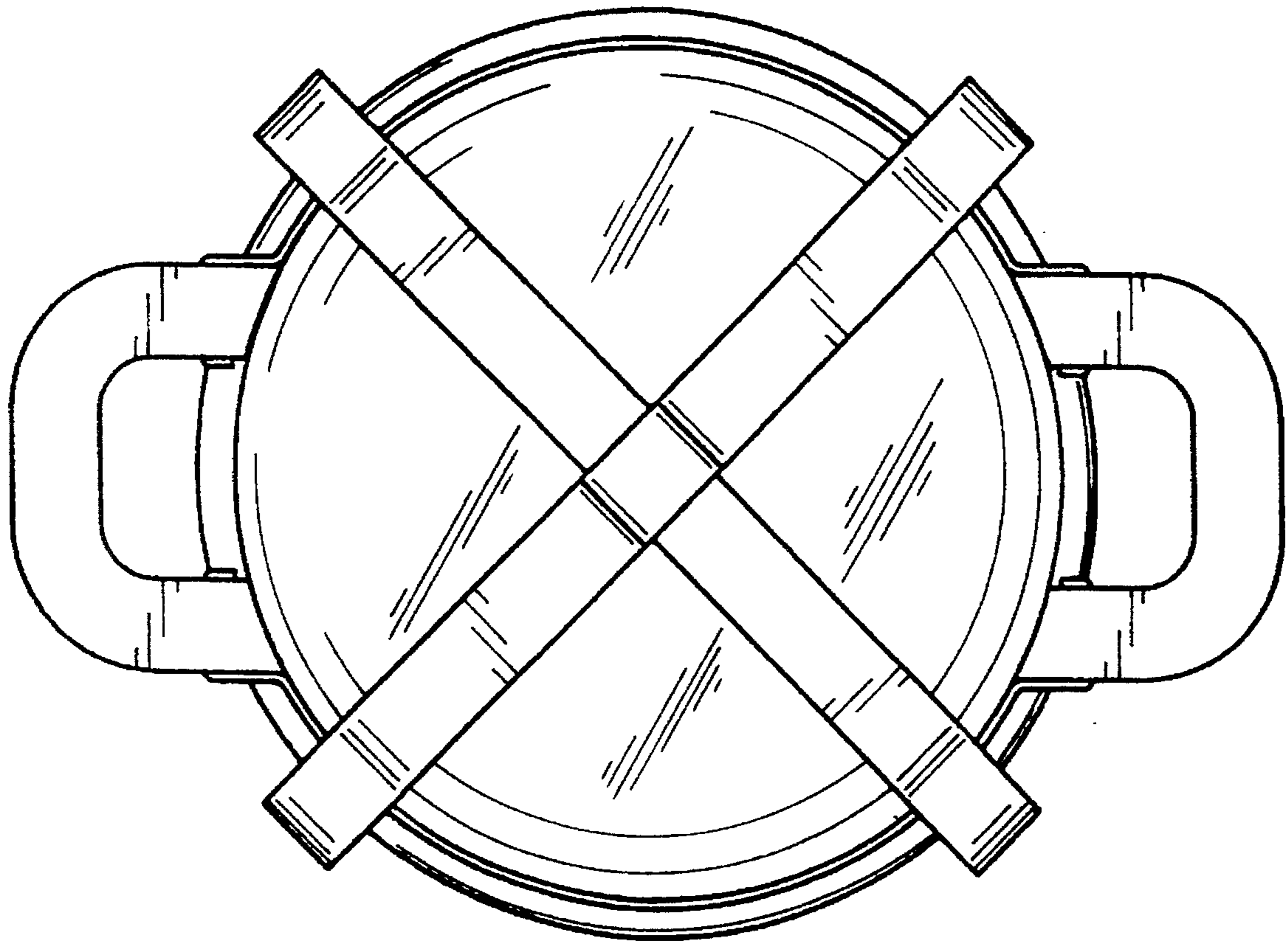


FIG. 7