



US00D378886S

# United States Patent [19] Joyce

[11] Patent Number: **Des. 378,886**

[45] Date of Patent: **\*\*Apr. 22, 1997**

[54] **DINNERWARE**

[75] Inventor: **Kenneth M. Joyce**, Novato, Calif.

[73] Assignee: **Sky One, Inc.**, Walnut, Calif.

[\*\*] Term: **14 Years**

[21] Appl. No.: **37,794**

[22] Filed: **Apr. 20, 1995**

[52] U.S. Cl. .... **D7/585; D7/587; D7/588**

[58] Field of Search ..... D7/588, 571, 539,  
D7/543, 544, 586, 585, 584, 557, 556,  
555, 554, 553, 552, 551, 550, 549, 548,  
547, 506, 502, 538, 540, 565, 560, 354,  
361, 508; 220/555, 579, 427, 671

[56] **References Cited**

**U.S. PATENT DOCUMENTS**

D. 78,661	5/1929	Simmons	.....	D7/585
D. 105,357	7/1937	Kupper	.....	D7/585
D. 222,735	12/1971	Wiedemann	.....	D7/585
D. 309,551	7/1990	Seitz	.....	D7/585
D. 312,948	12/1990	Unger	.....	D7/585
D. 313,333	1/1991	Unger	.....	D7/585
D. 324,798	3/1992	Wonder	.....	D7/585
D. 345,893	4/1994	Jaworski	.....	D7/543 X
D. 351,763	10/1994	Doxey	.....	D7/585
D. 352,207	11/1994	Jaworski	.....	D7/585

D. 356,472	3/1995	Jaworski	.....	D7/565 X
2,119,342	5/1938	Morris	.....	D7/590 X
3,672,538	6/1972	Wiedemann	.....	D7/585 X

**OTHER PUBLICATIONS**

Corning/Revere (A) Catalog Plate p. 3.

*Primary Examiner*—M. N. Pandozzi

*Attorney, Agent, or Firm*—Fred Flam/Flam&Flam

[57] **CLAIM**

The ornamental design for dinnerware, as shown and described.

**DESCRIPTION**

FIG. 1 is a top plan view of dinnerware showing my new design;

FIG. 2 is a side elevational view thereof;

FIG. 3 is an enlarged sectional view, partially broken away for ease of illustration, taken along line 3—3 of FIG. 1;

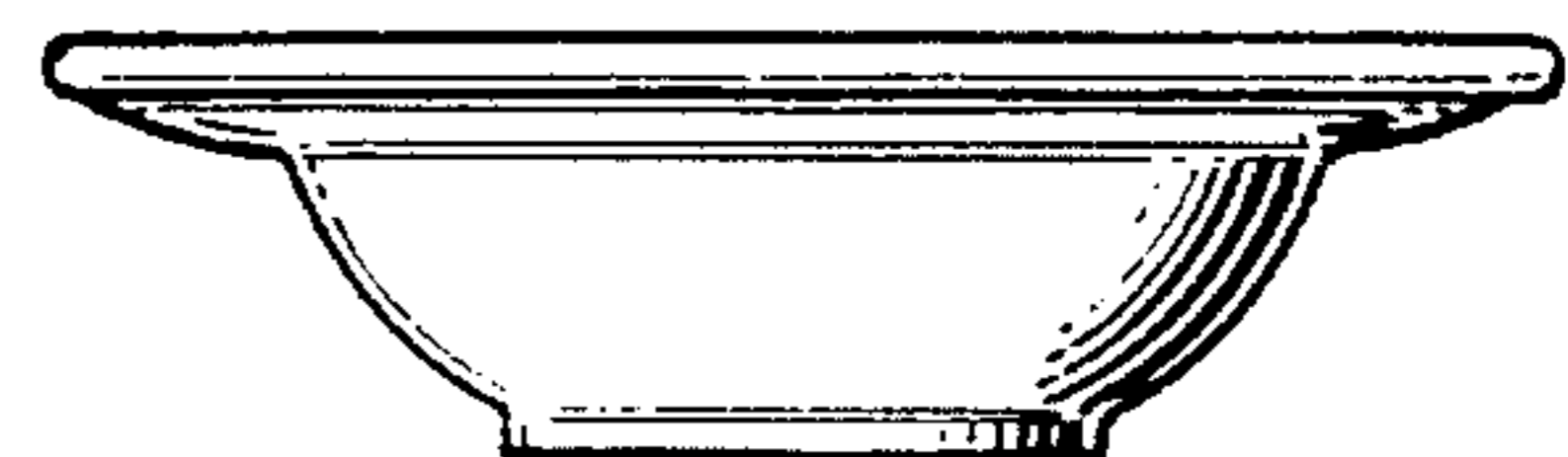
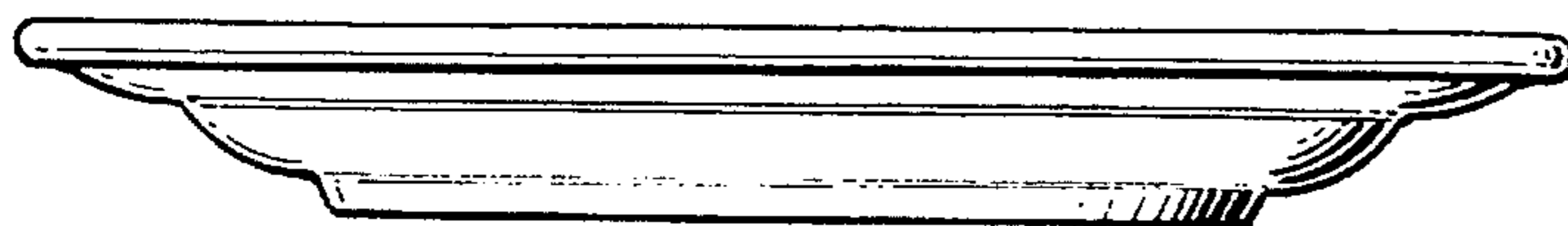
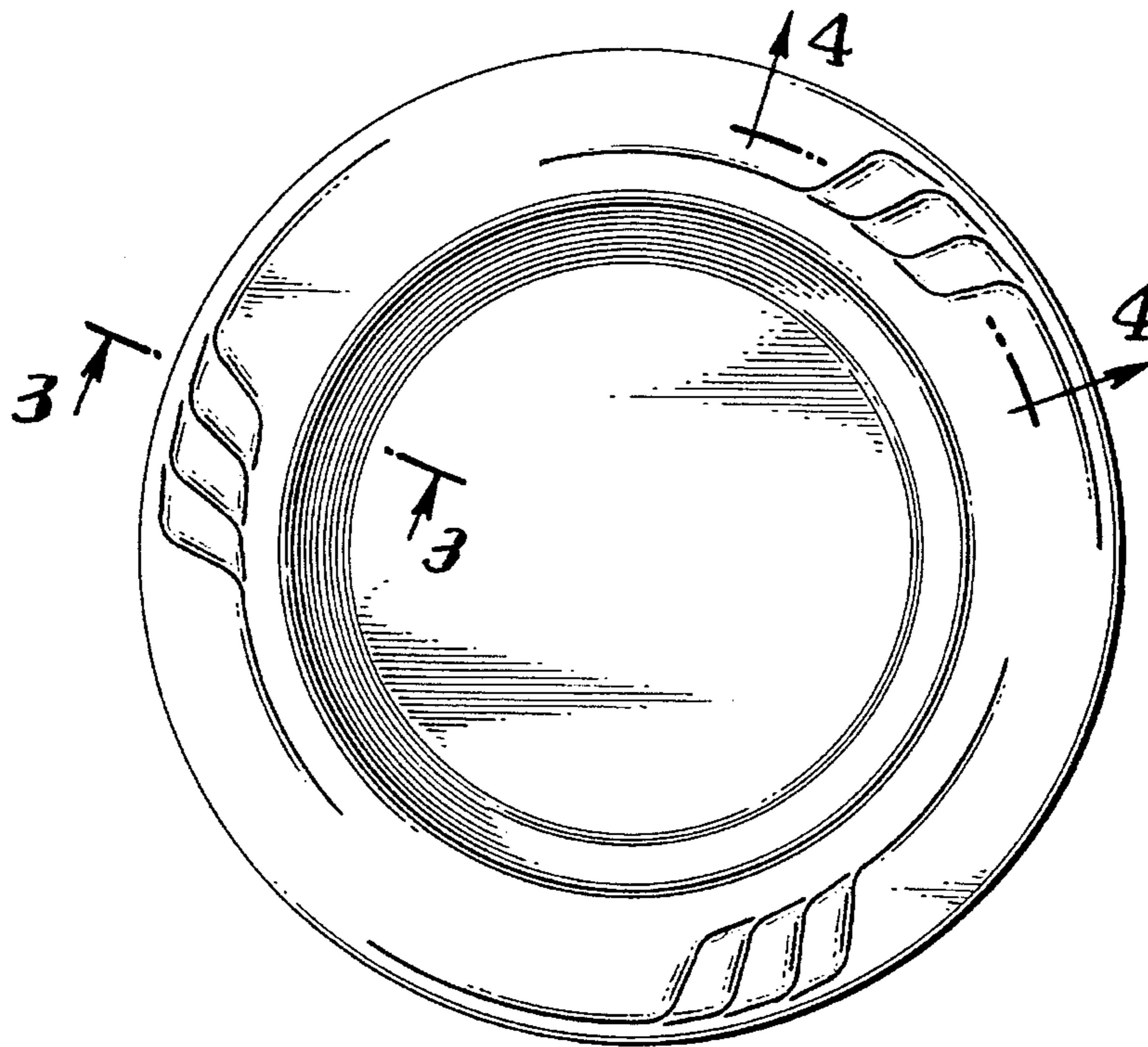
FIG. 4 is an enlarged sectional view, partially broken away for ease of illustration, taken along line 4—4 of FIG. 1;

FIG. 5 is a top plan view of dinnerware showing a second embodiment of my new design; and,

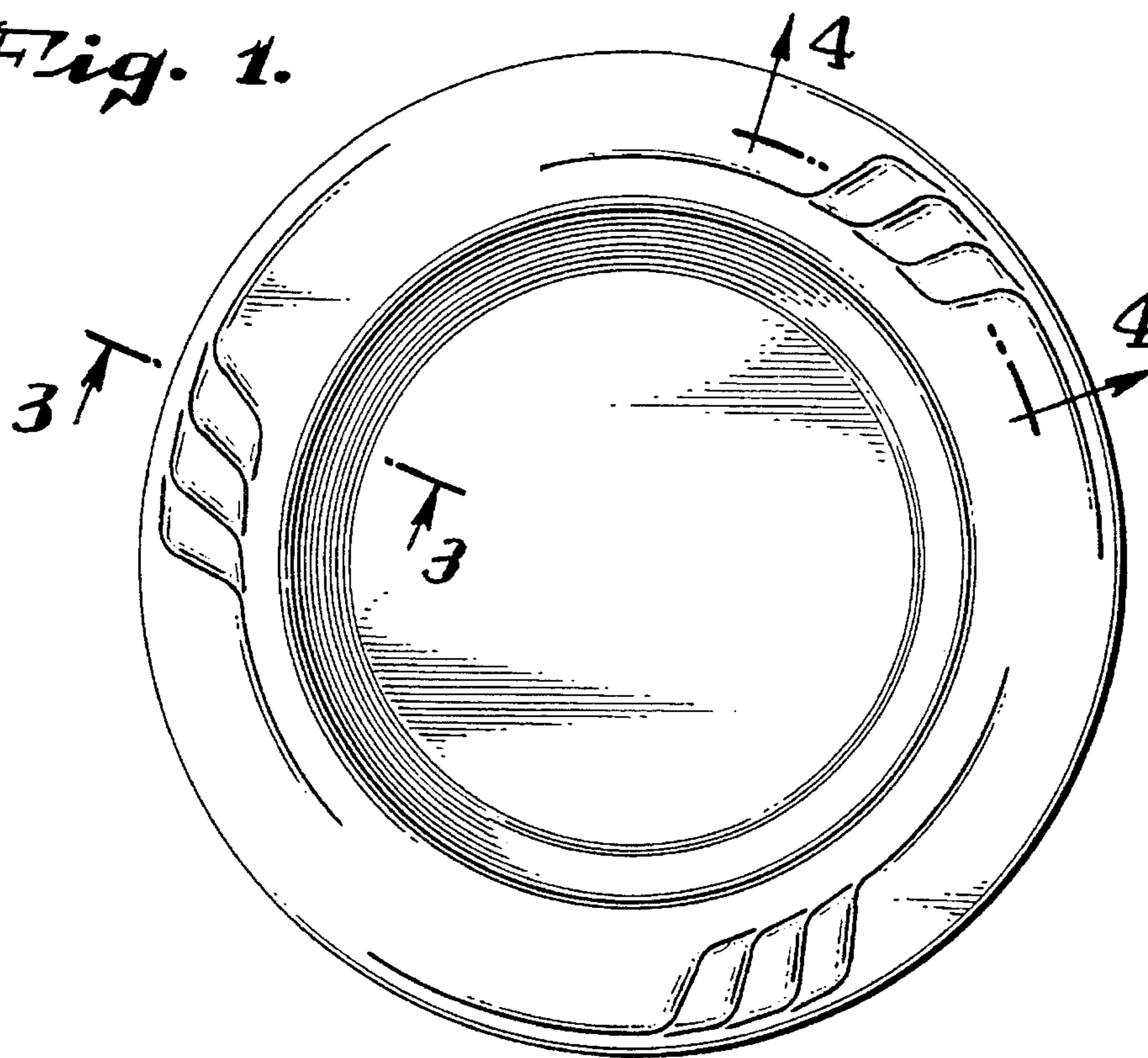
FIG. 6 is a side elevational view thereof.

The characteristic feature of the dinnerware is the sculptured pattern on the plate rim.

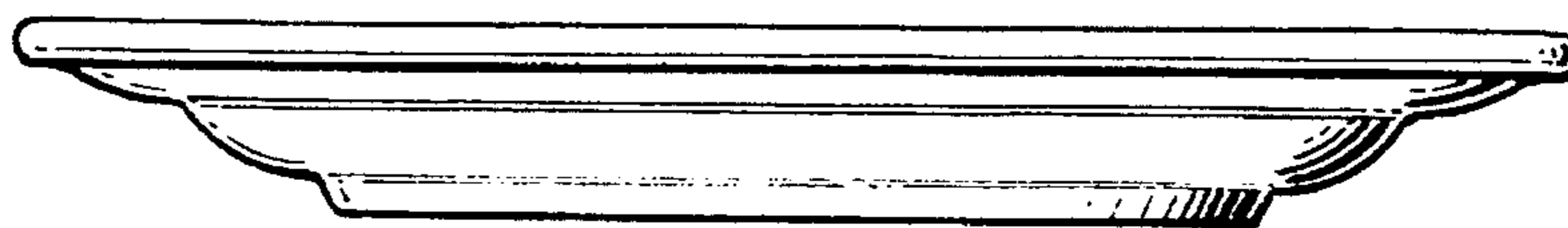
**1 Claim, 2 Drawing Sheets**



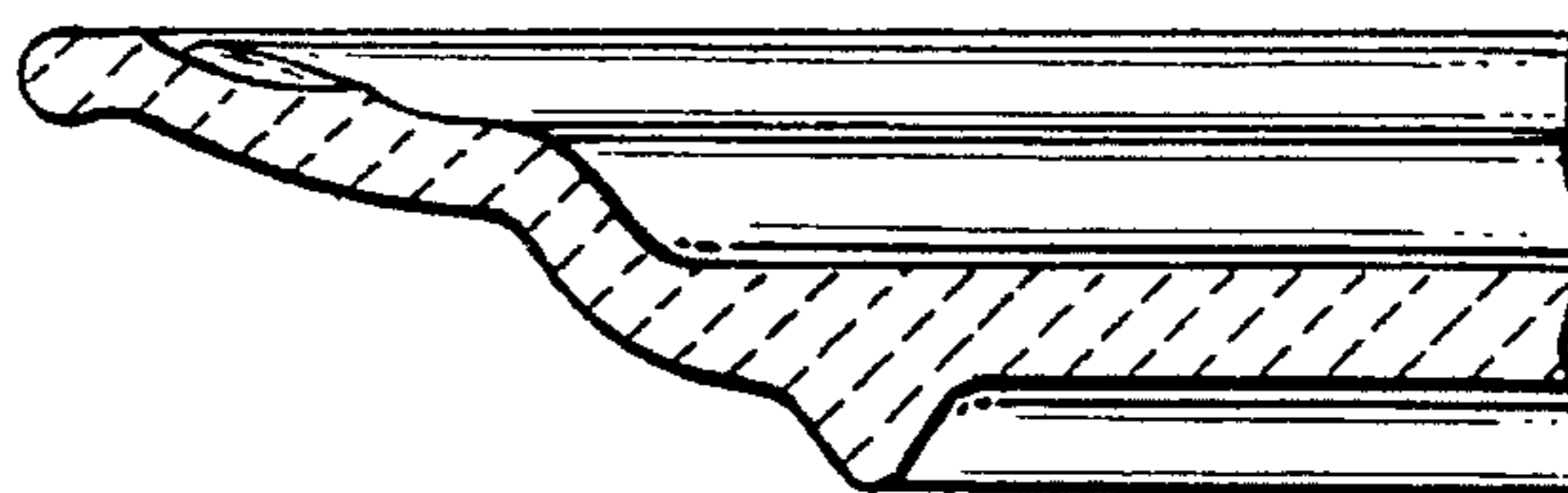
*Fig. 1.*



*Fig. 2.*

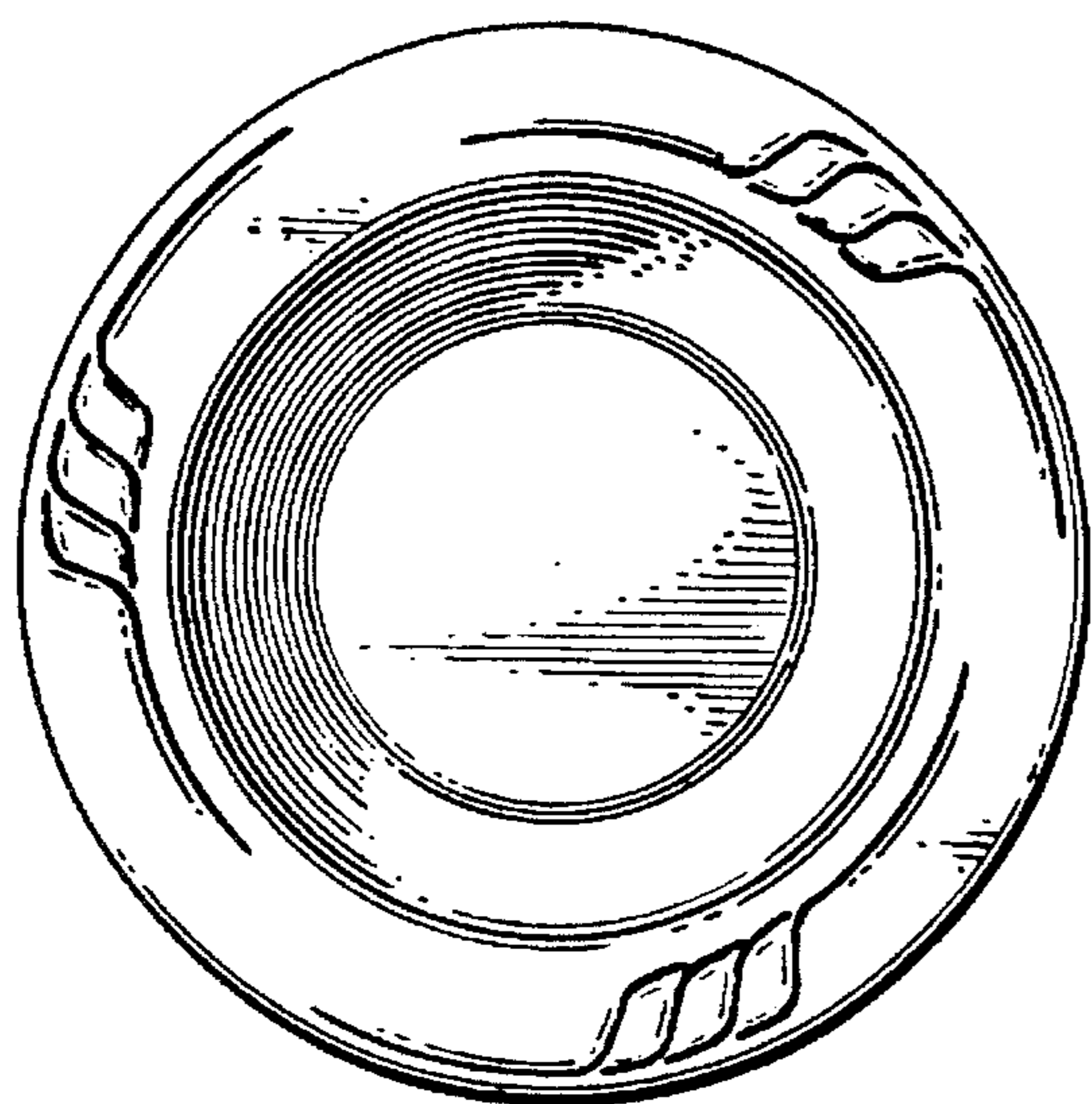


*Fig. 3.*



*Fig. 4.*





*Fig. 5.*

*Fig. 6.*

