



US00D378879S

United States Patent [19]

[11] Patent Number: **Des. 378,879**

Keller

[45] Date of Patent: ****Apr. 22, 1997**

[54] **CABINET**

D. 314,095 1/1991 Bush et al. D6/436
D. 330,647 11/1992 Bennett D6/432

[75] Inventor: **H. Thomas Keller**, High Point, N.C.

OTHER PUBLICATIONS

[73] Assignee: **Henredon Furniture Industries, Inc.**,
Morganton, N.C.

“Take Five” by Burlington ©1979 p. 2; dresser on page.

[**] Term: **14 Years**

Primary Examiner—Carmen H. Vales-Lado
Attorney, Agent, or Firm—Edgar A. Zarins; Malcolm L. Sutherland

[21] Appl. No.: **46,428**

[57] CLAIM

[22] Filed: **Nov. 14, 1995**

The ornamental design for a cabinet, as shown and described.

[52] U.S. Cl. **D6/436; D6/445; D6/446**

[58] Field of Search D6/432-448, 481;
312/204, 257, 108

DESCRIPTION

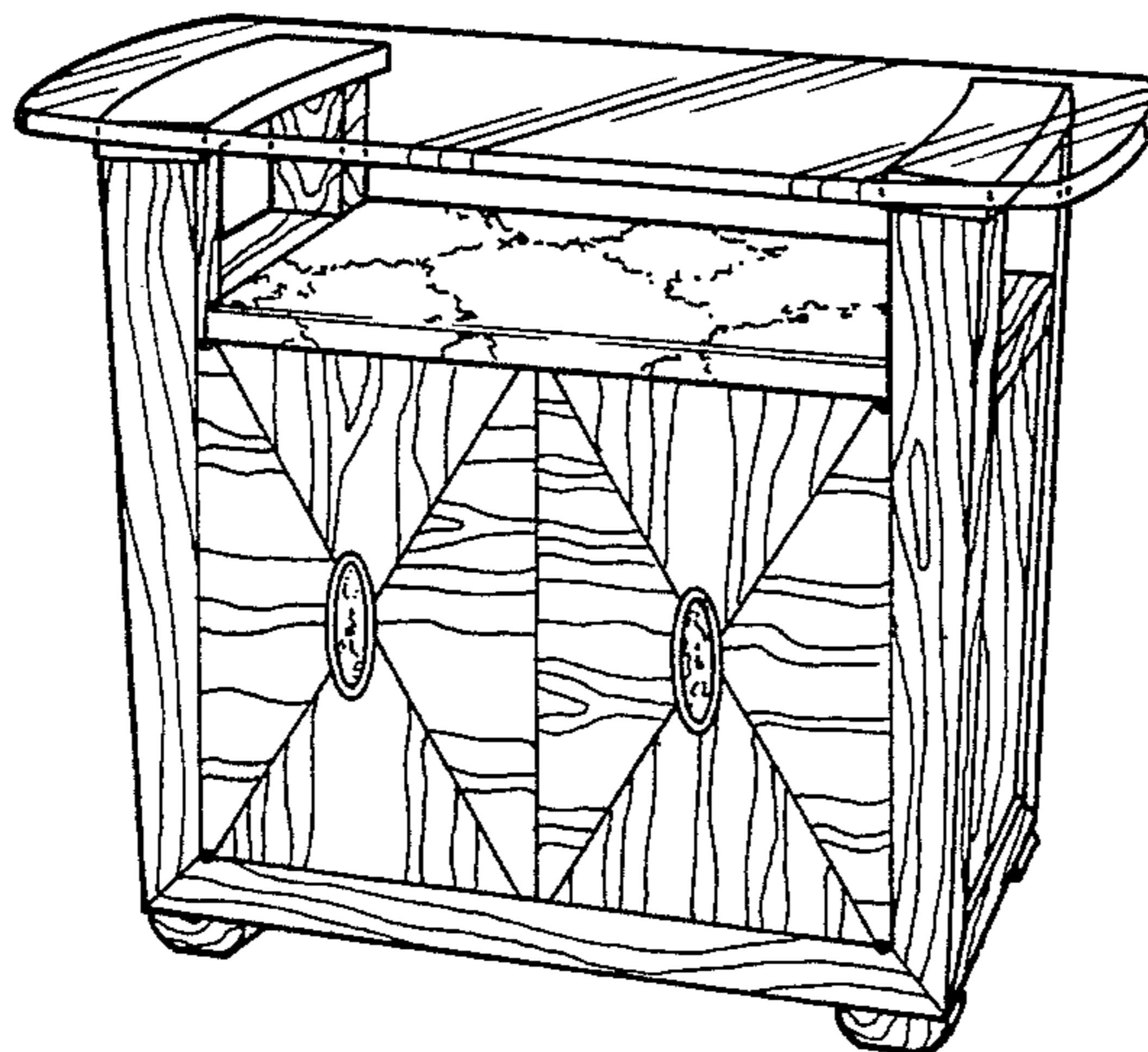
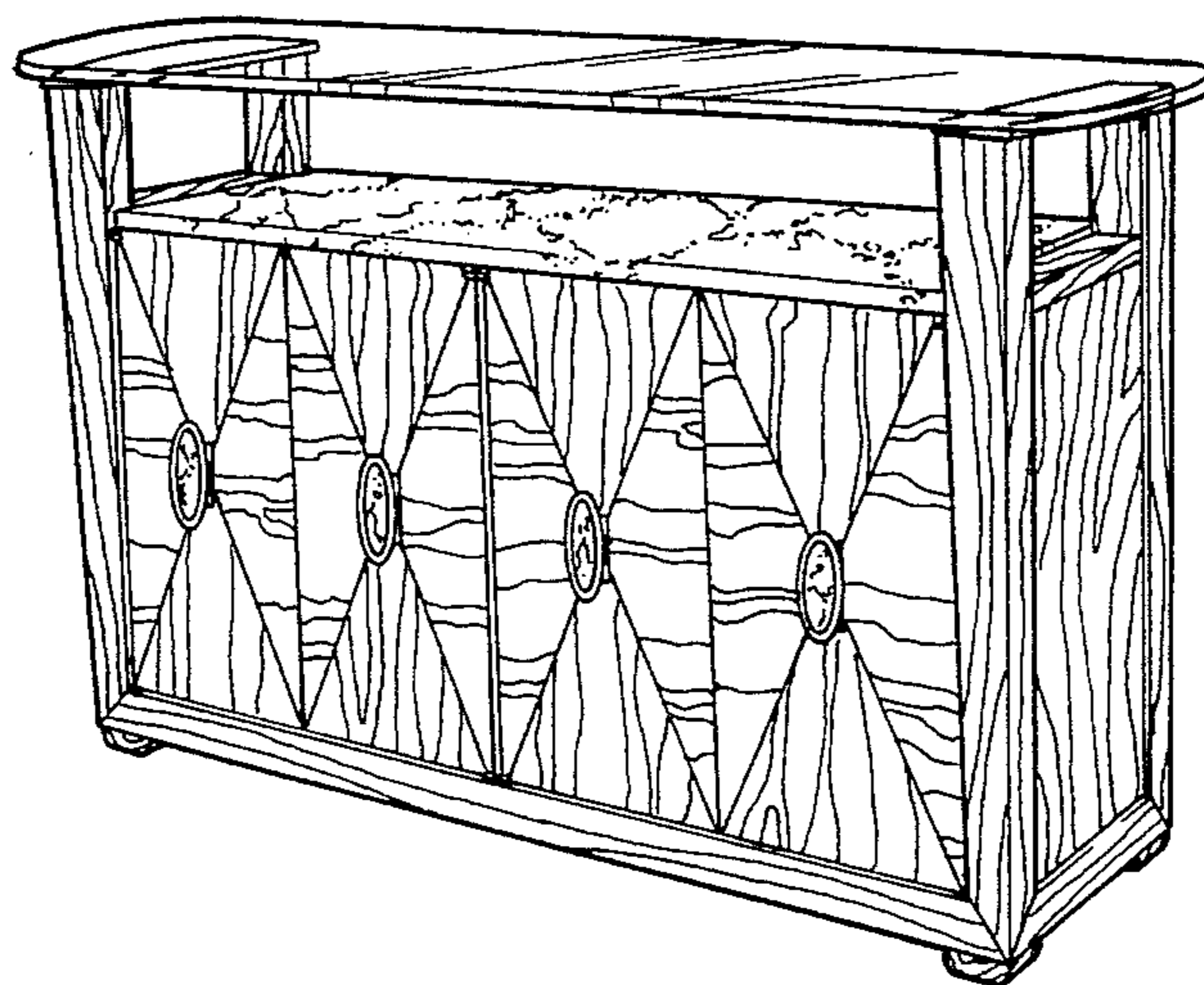
[56] References Cited

FIG. 1 is a perspective view of a cabinet showing my new design;
FIG. 2 is a front elevational view thereof;
FIG. 3 is a top plan view thereof;
FIG. 4 is a right side elevational view as seen when in use;
FIG. 5 is a left side elevational view as seen when in use;
and,
FIG. 6 is a perspective view of a second embodiment of the cabinet shown in FIG. 1, the opposite side being a mirror image thereof.

U.S. PATENT DOCUMENTS

D. 46,047	7/1914	Curtenius	D6/439
D. 123,934	12/1940	Doner	D6/438
D. 150,824	9/1948	Buckner	D6/437
D. 177,724	5/1956	Gaines	D6/437
D. 177,809	5/1956	Herrmann	D6/447
D. 182,332	3/1958	Freedman	D6/443
D. 183,847	11/1958	Lubberts et al.	D6/446
D. 221,341	8/1971	Levin	D6/446
D. 271,733	12/1983	Daventry	D6/436

1 Claim, 3 Drawing Sheets



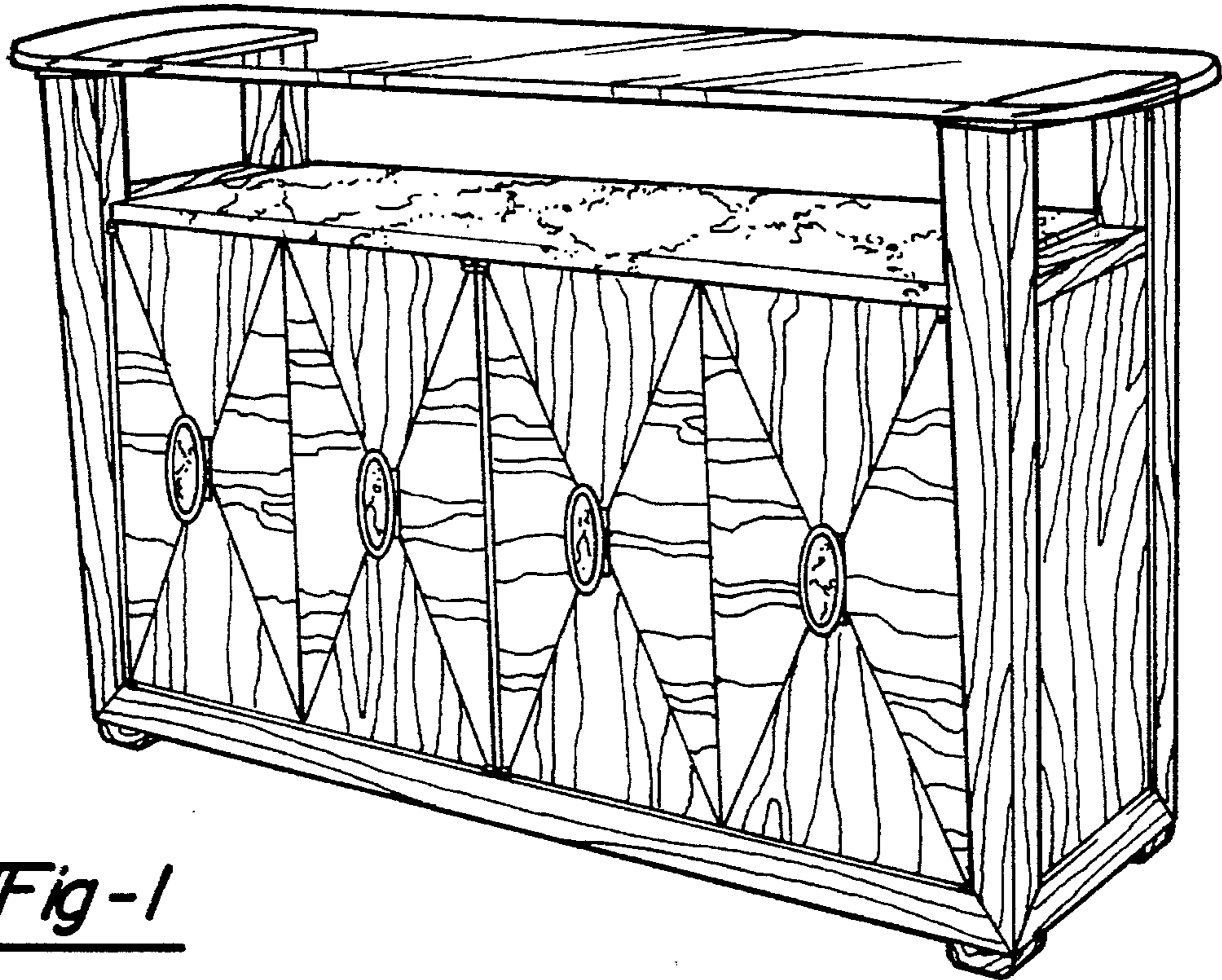


Fig-1

Fig - 2

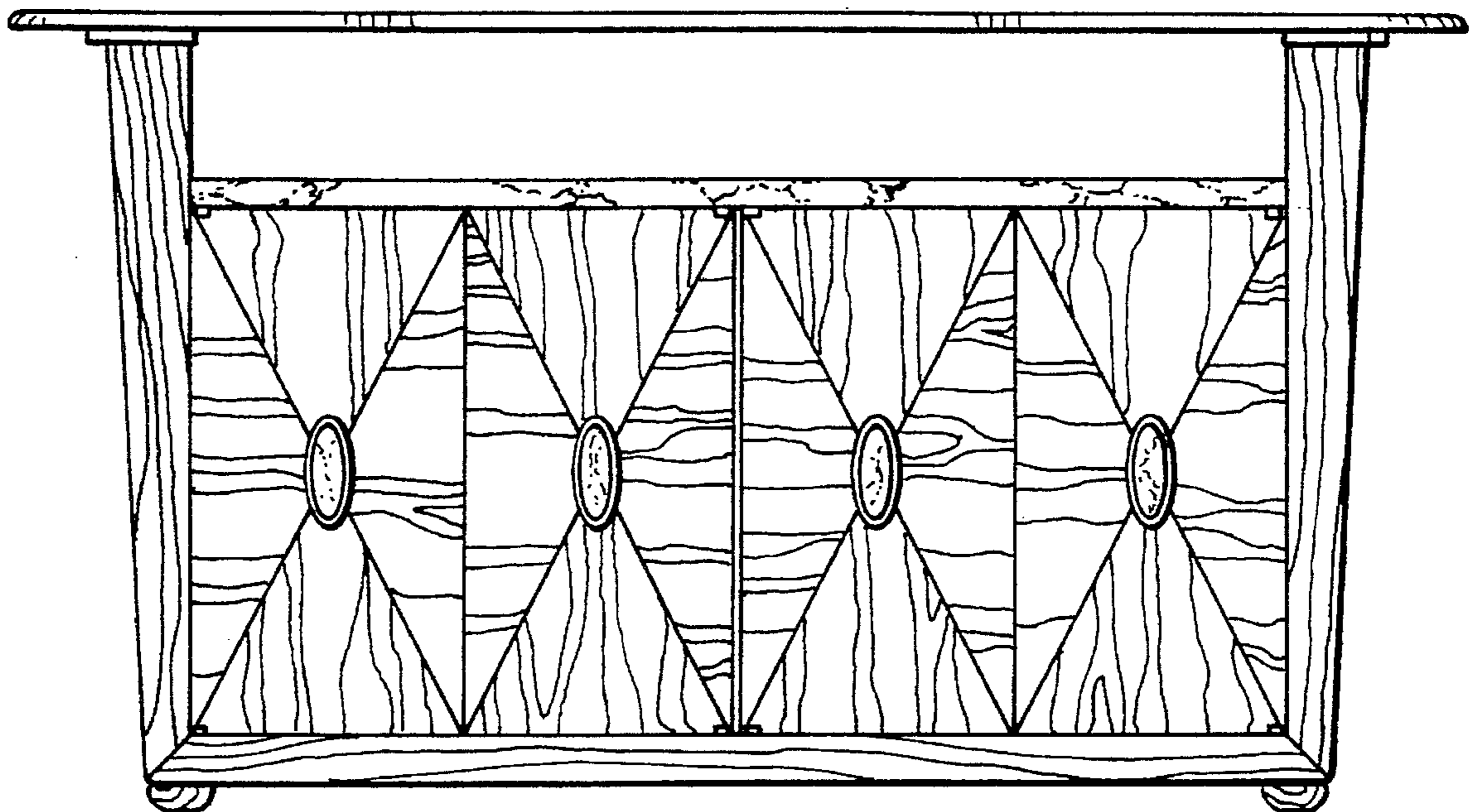


Fig - 3

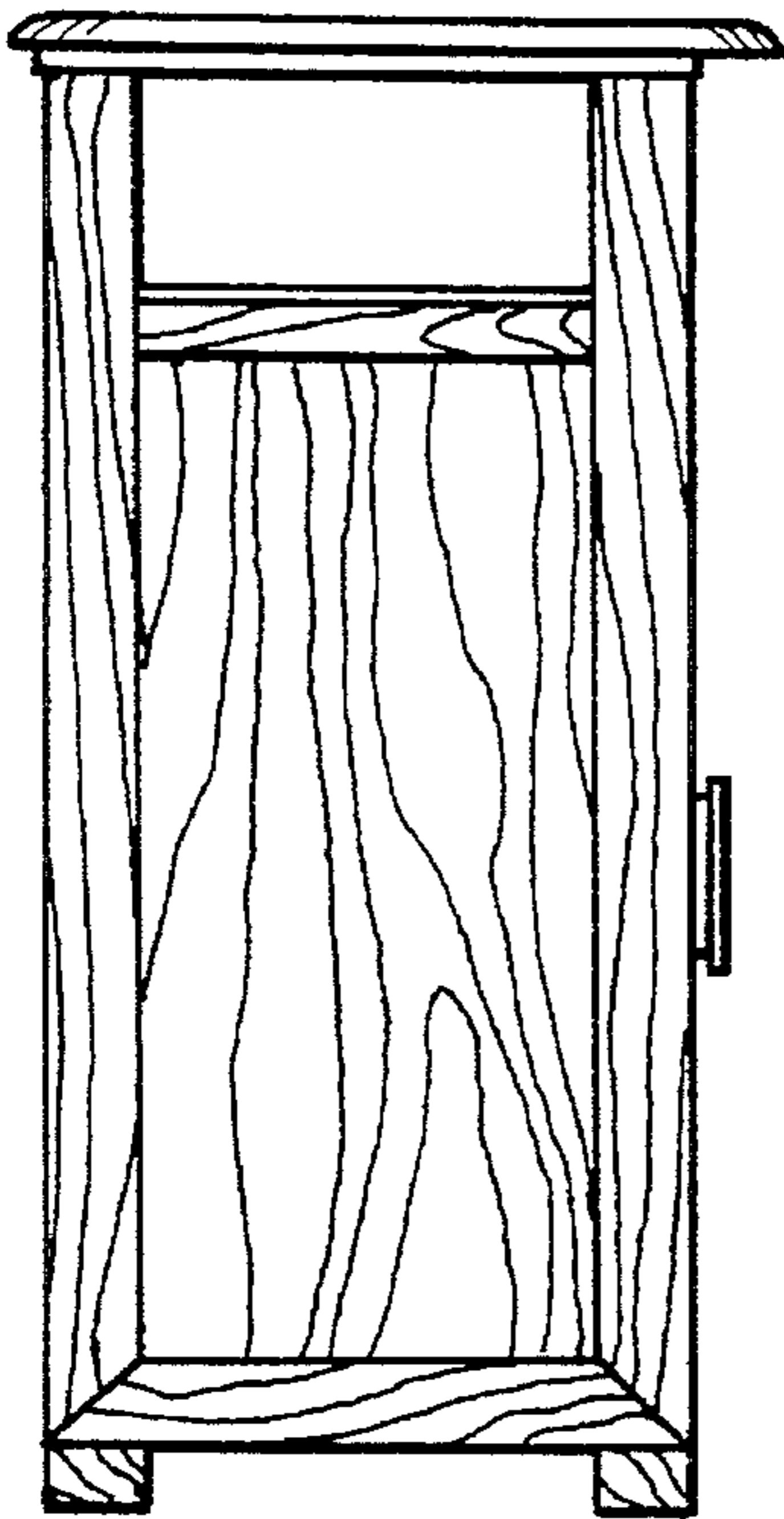
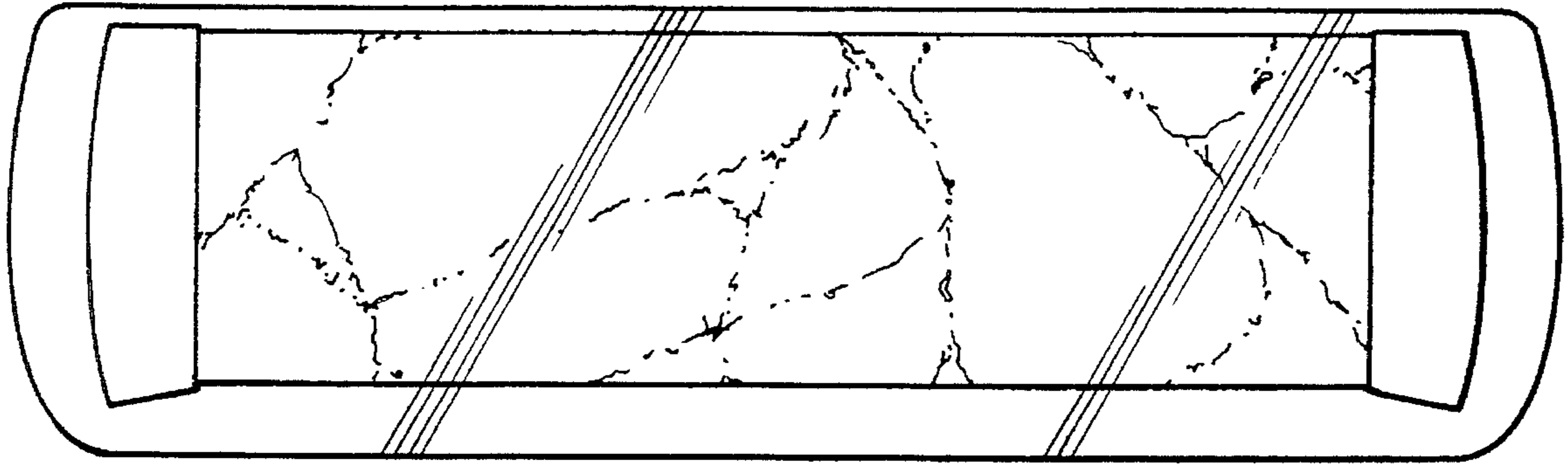


Fig - 4

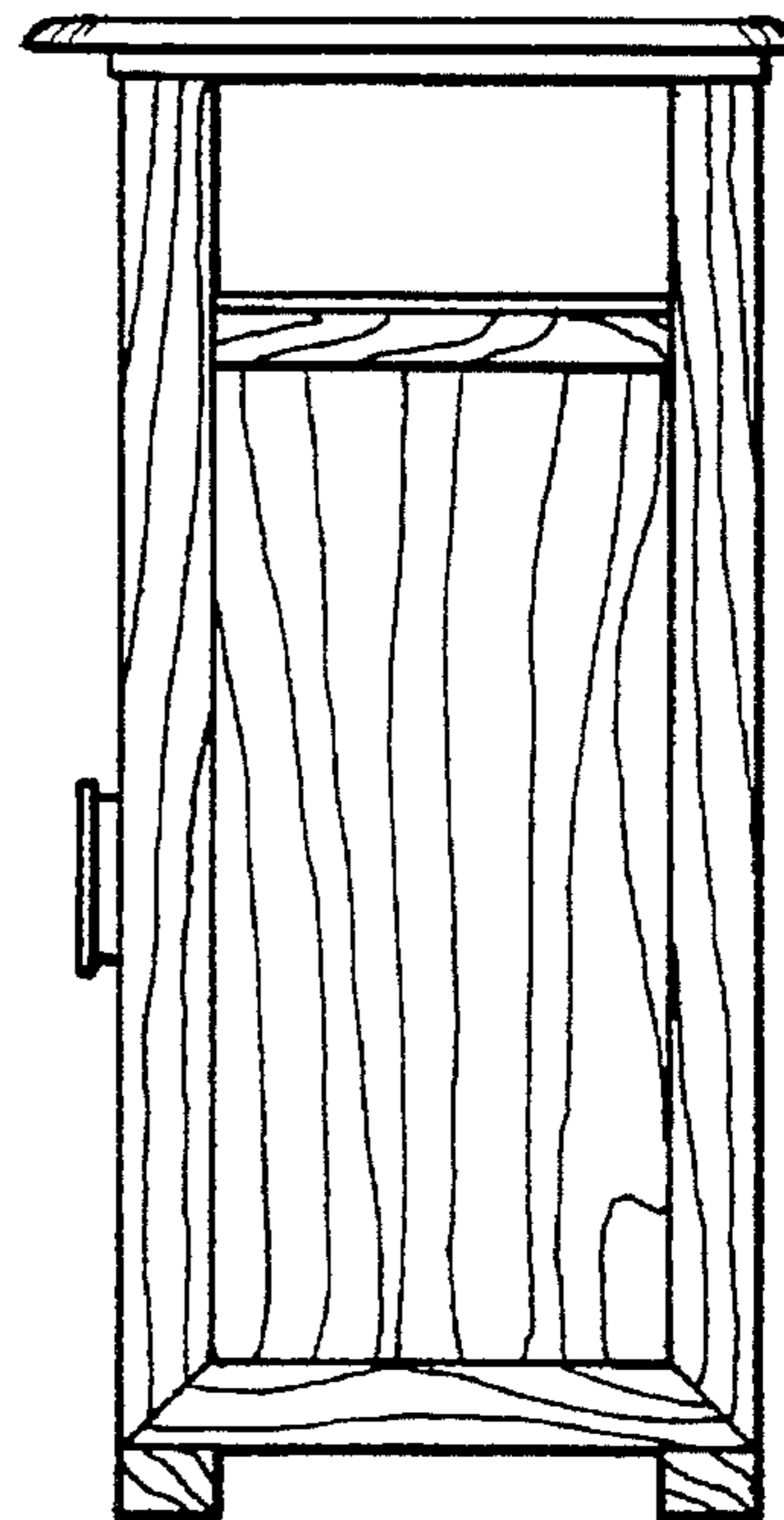


Fig - 5

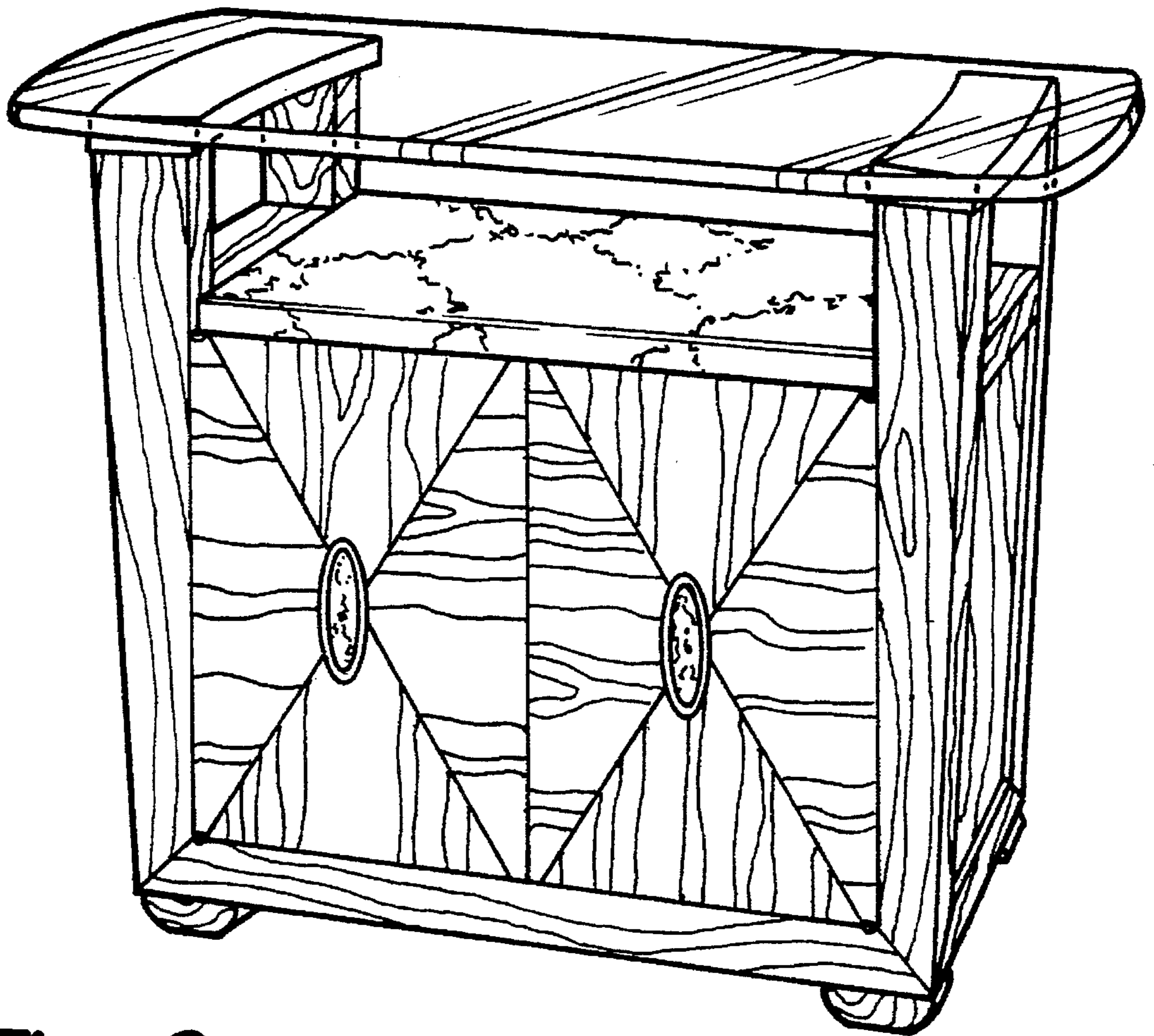


Fig - 6