



US00D378877S

# United States Patent [19]

Lanci

[11] Patent Number: **Des. 378,877**

[45] Date of Patent: **\*\*Apr. 22, 1997**

[54] **PICTURE FRAME**

[75] Inventor: **Christopher Lanci**, Roslyn, N.Y.

[73] Assignee: **Fred M. Lawrence Co., Inc.**, Long Island City, N.Y.

[\*\*] Term: **14 Years**

[21] Appl. No.: **46,058**

[22] Filed: **Nov. 6, 1995**

[52] U.S. Cl. .... **D6/300; D6/301**

[58] Field of Search ..... D6/300-303, 308-314; D20/10; 40/700, 711, 722, 734, 735, 743, 780, 790, 791, 793, 798

[56] **References Cited**

**U.S. PATENT DOCUMENTS**

D. 247,599	3/1978	Lyman	.....	D6/301
D. 247,600	3/1978	Lyman	.....	D6/301
D. 257,927	1/1981	Keller	.....	D6/300
422,522	3/1890	Hagelberg	.....	40/720

**OTHER PUBLICATIONS**

Exposures, Fall Preview 1994, #K frame at top left.

*Primary Examiner*—Janice E. Seeger  
*Attorney, Agent, or Firm*—Charles E. Temko

[57] **CLAIM**

The ornamental design for a picture frame, as shown and described.

**DESCRIPTION**

FIG. 1 is a front elevational view showing my new design for a picture frame;

FIG. 2 is a top plan view thereof;

FIG. 3 is a right side elevational view thereof;

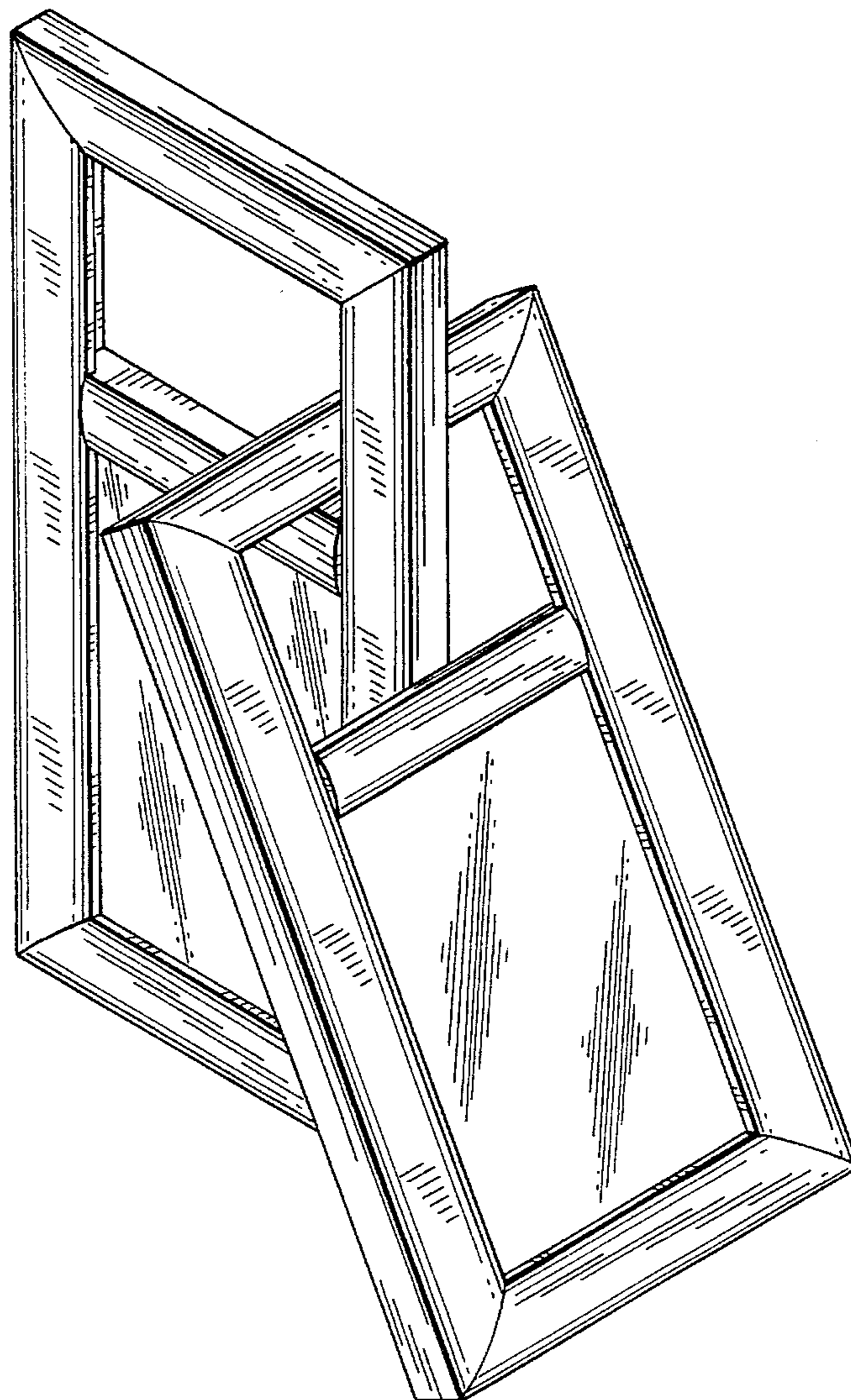
FIG. 4 is a rear elevational view thereof;

FIG. 5 is a left side elevational view thereof;

FIG. 6 is a bottom plan view thereof; and,

FIG. 7 is a perspective view thereof.

**1 Claim, 4 Drawing Sheets**



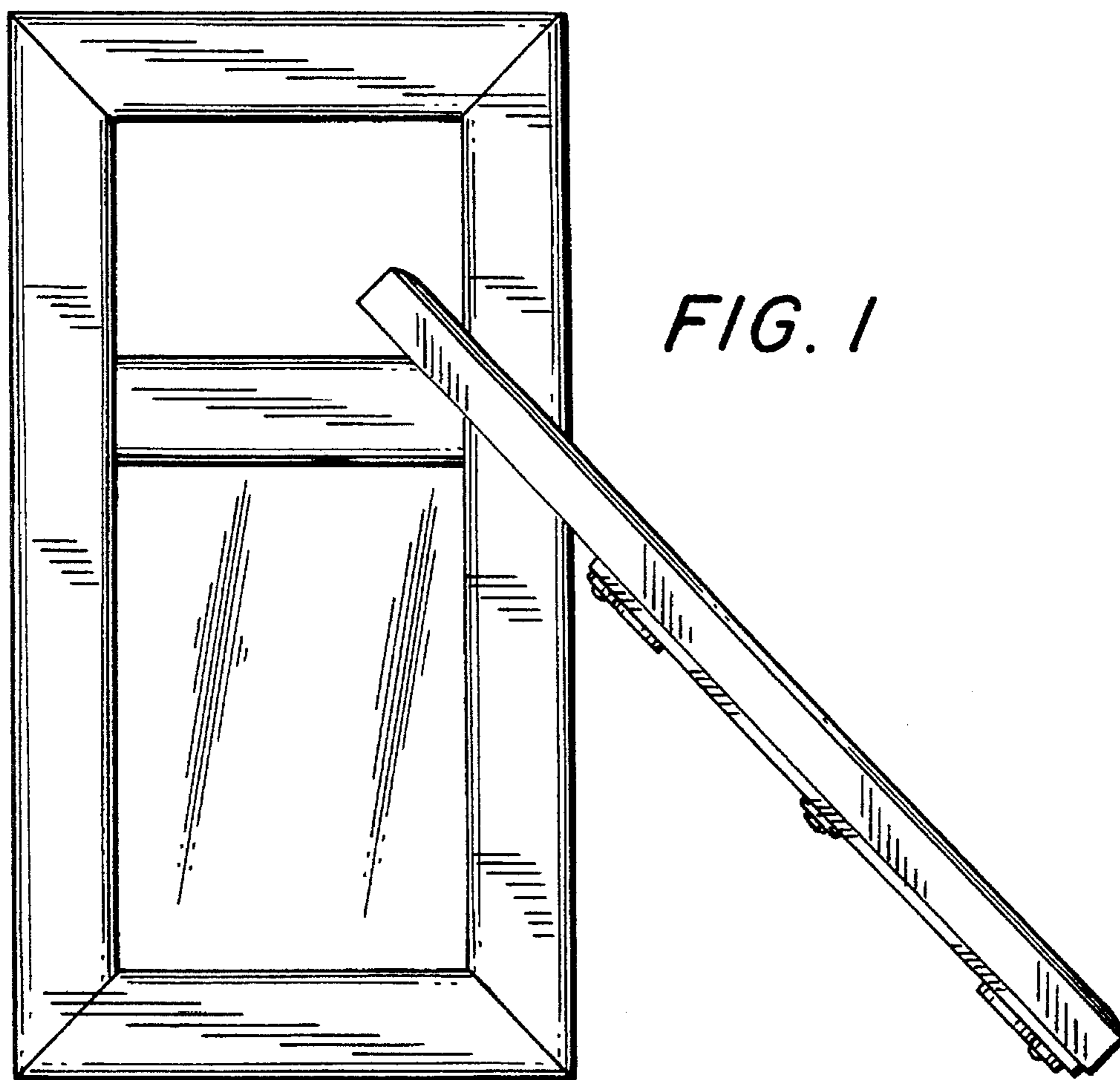


FIG. 2

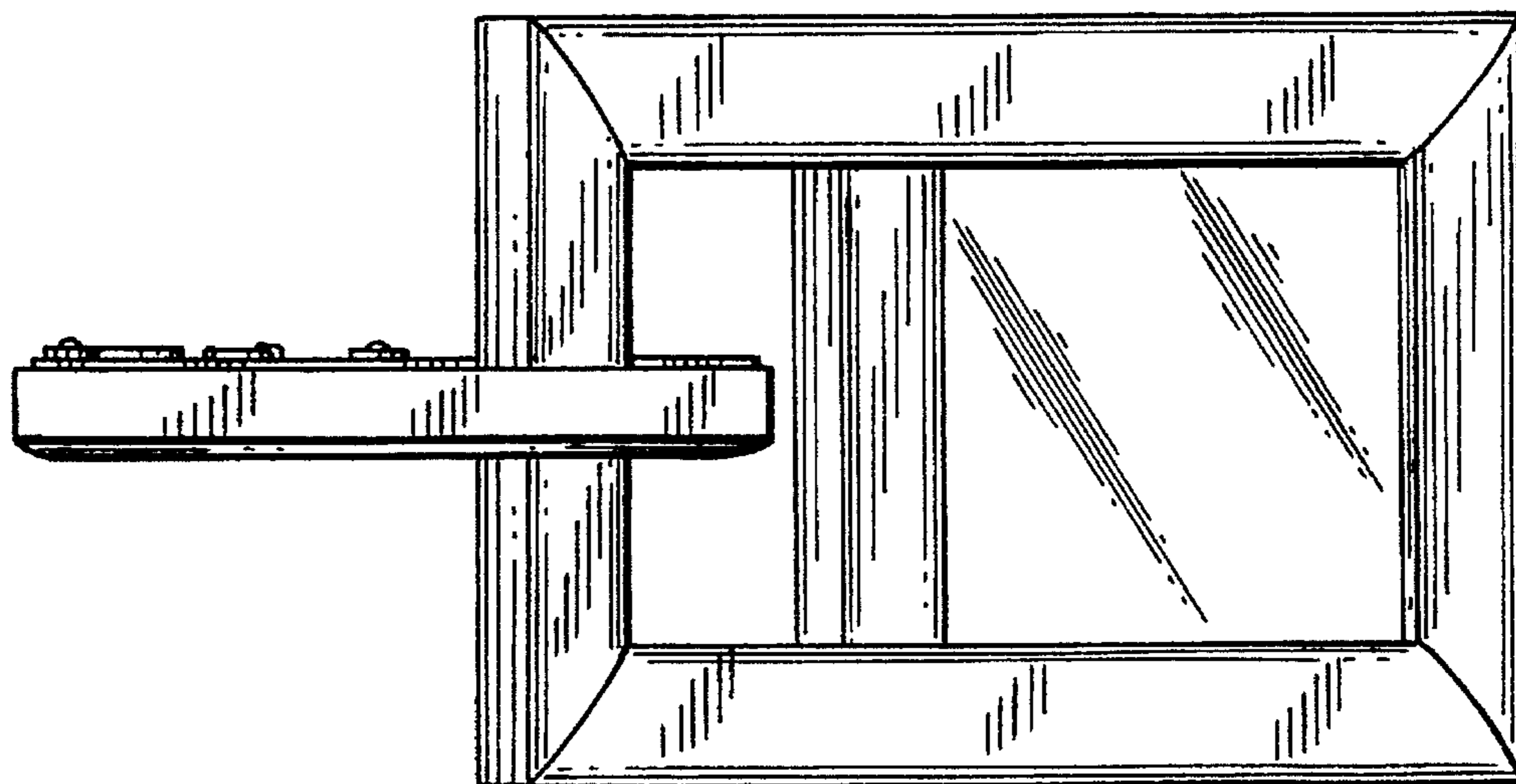




FIG. 4

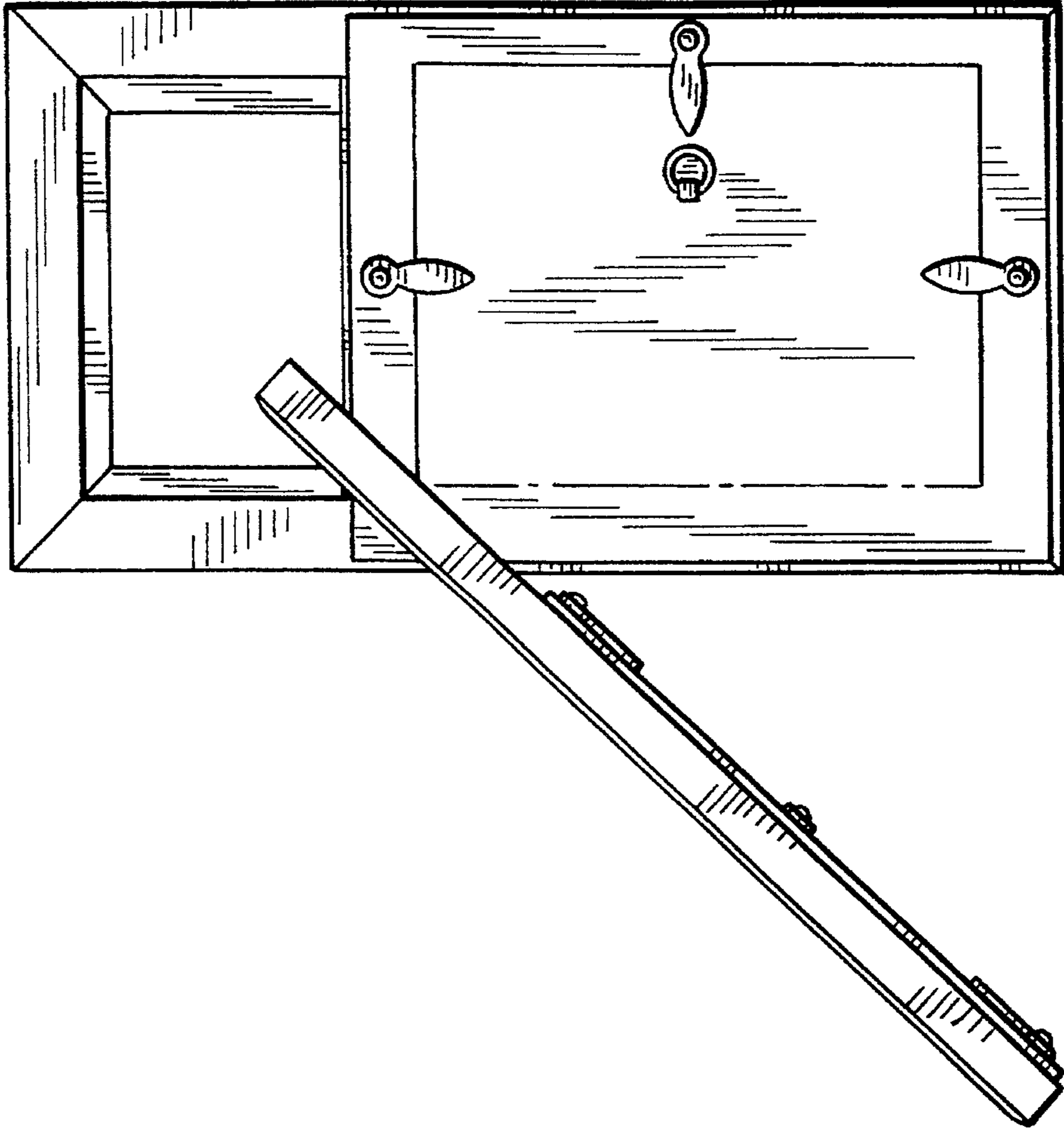
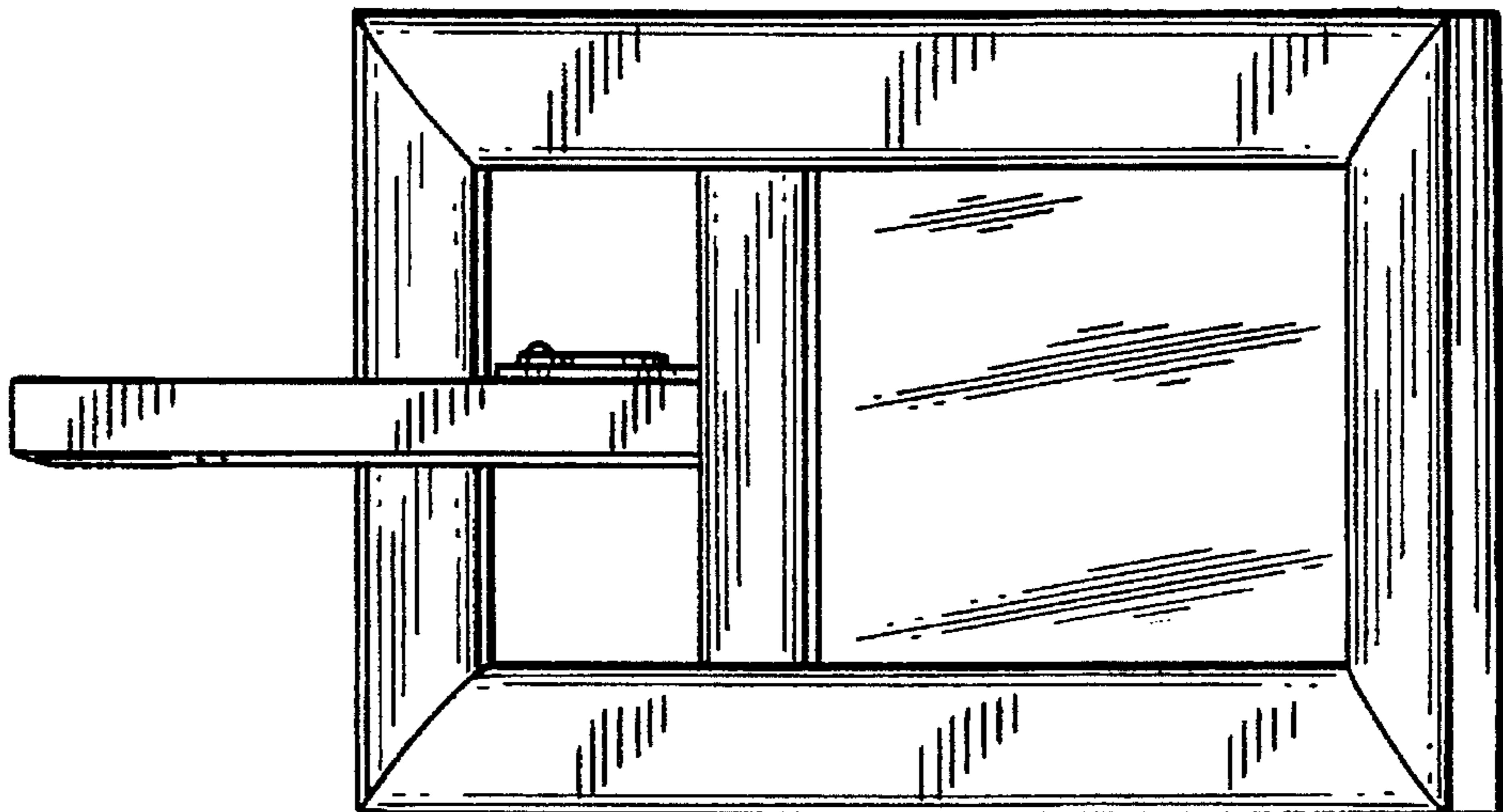
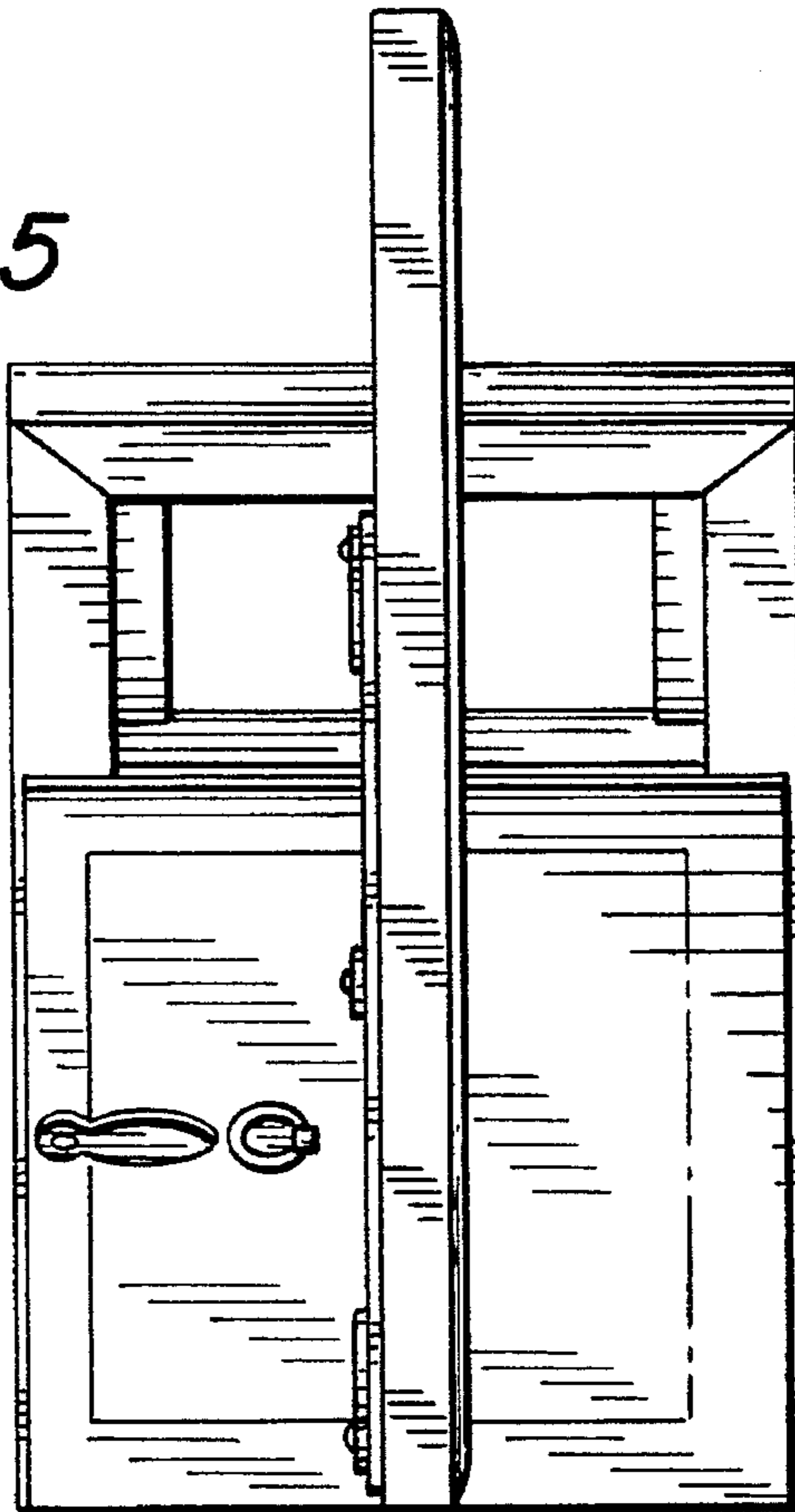


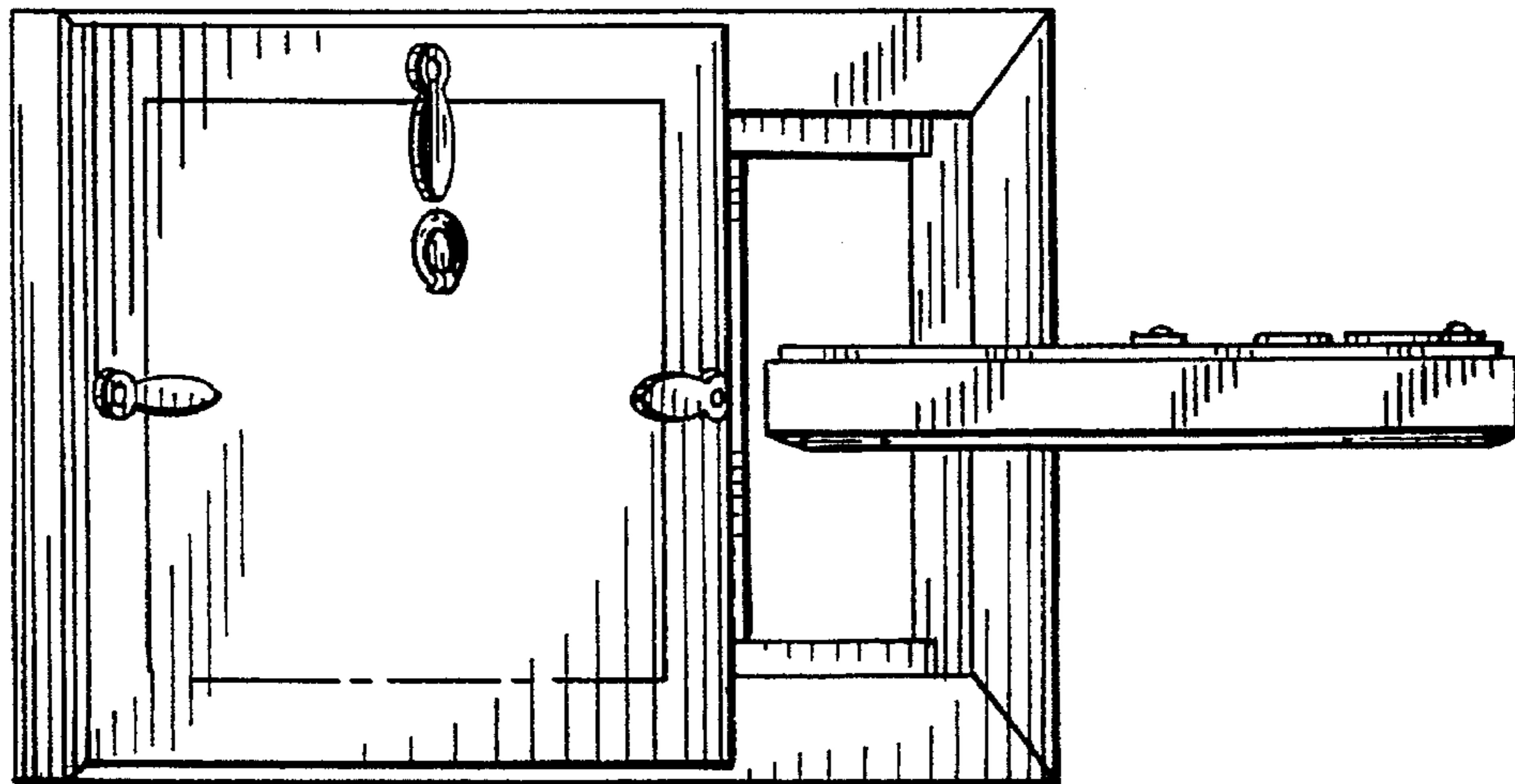
FIG. 3

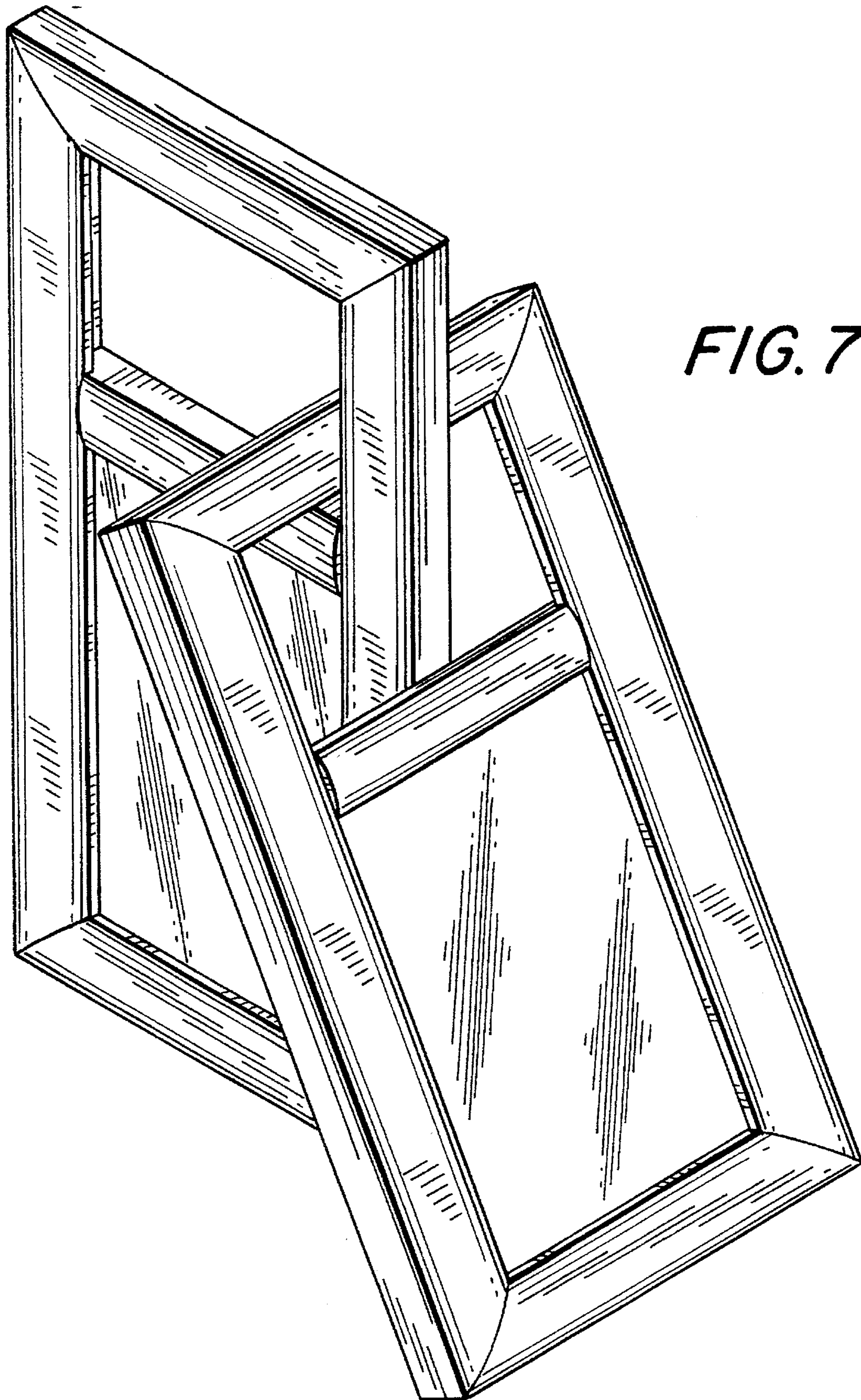


*FIG. 5*



*FIG. 6*





*FIG. 7*