



US00D378873S

United States Patent [19]

[11] Patent Number: Des. 378,873

Gregerson et al.

[45] Date of Patent: **Apr. 22, 1997

[54] **300 MM MICROENVIRONMENT POD WITH DOOR ON SIDE**

[75] Inventors: **Barry Gregerson**, Deephaven; **Brian Wiseman**, Oakdale, both of Minn.; **Gary Gallagher**, Colorado Springs, Colo.

[73] Assignee: **Empak, Inc.**, Chanhassen, Minn.

[**] Term: **14 Years**

[21] Appl. No.: **45,247**

[22] Filed: **Oct. 13, 1995**

[52] U.S. Cl. **D3/273; D3/315**

[58] Field of Search **D3/315, 269, 273, D3/274, 280; 206/444, 445, 454, 334, 711**

[56] **References Cited**

U.S. PATENT DOCUMENTS

Re. 33,361	10/1990	Coe	206/444
D. 368,802	4/1996	Gallagher et al.	D3/315
3,383,009	5/1968	Weikert	220/97
3,923,156	12/1975	Wallestad	206/454
3,926,305	12/1975	Wallestad	206/73
3,939,973	2/1976	Wallestad	206/328
4,043,451	8/1977	Johnson	206/334
4,061,228	12/1977	Johnson	206/454
4,160,504	7/1979	Kudlich et al.	206/334
4,248,346	2/1981	Johnson	206/334
4,319,679	3/1982	Gustafson	206/0.5
4,450,960	5/1984	Johnson	206/334
4,471,716	9/1984	Milliren	118/500
4,487,331	12/1984	Hawker	220/405
4,493,418	1/1985	Johnson	206/454
4,520,925	6/1985	Johnson	206/334
4,555,024	11/1985	Voss et al.	206/454
4,557,382	12/1985	Johnson	206/444
4,582,219	4/1986	Mortensen et al.	220/326
4,588,086	5/1986	Coe	206/444
4,653,636	3/1987	Armstrong	206/334
4,676,008	6/1987	Armstrong	206/454
4,684,021	8/1987	Niebling et al.	206/334
4,687,097	8/1987	Mortensen	206/334
4,709,834	12/1987	Mortensen et al.	220/326
4,718,549	1/1988	Rissotti et al.	206/334
4,718,552	1/1988	Rossi et al.	206/444
4,721,207	1/1988	Kikuchi	206/334

4,739,882	4/1988	Parikh et al.	206/454
4,747,488	5/1988	Kikuchi	206/444
4,752,007	6/1988	Rossi et al.	206/444
4,793,488	12/1988	Mortensen	206/454
4,796,755	1/1989	Ardenti	206/444
4,815,912	3/1989	Maney et al.	414/217
4,817,795	4/1989	Kos	206/328
4,817,799	4/1989	Gregerson et al.	206/445
4,827,110	5/1989	Rossi et al.	235/376
4,833,303	5/1989	Mellen, Sr.	219/494
4,880,116	11/1989	Kos	206/454
4,888,473	12/1989	Rossi et al.	235/376
4,949,848	8/1990	Kos	211/41
4,966,284	10/1990	Gregerson et al.	206/444
5,025,926	6/1991	Gregerson et al.	206/444
5,046,615	9/1991	Nentl et al.	206/454
5,111,936	5/1992	Kos	206/334
5,154,301	10/1992	Kos	211/41
5,156,273	10/1992	Mortensen	206/508
5,207,324	5/1993	Kos	206/334
5,228,568	7/1993	Ogino et al.	206/334
5,255,783	10/1993	Goodman et al.	206/334
5,271,516	12/1993	Cook et al.	220/232
5,273,159	12/1993	Gregerson	206/334
5,291,923	3/1994	Gallagher et al.	141/98
5,295,522	3/1994	DeAngelis et al.	141/98
5,348,151	9/1994	Dressen	206/334
5,452,795	9/1995	Gallagher et al.	206/711
5,472,086	12/1995	Holliday et al.	206/711
5,476,176	12/1995	Gregerson et al.	206/711

Primary Examiner—Philip S. Hyder
Attorney, Agent, or Firm—Haugen and Nikolai, P.A.

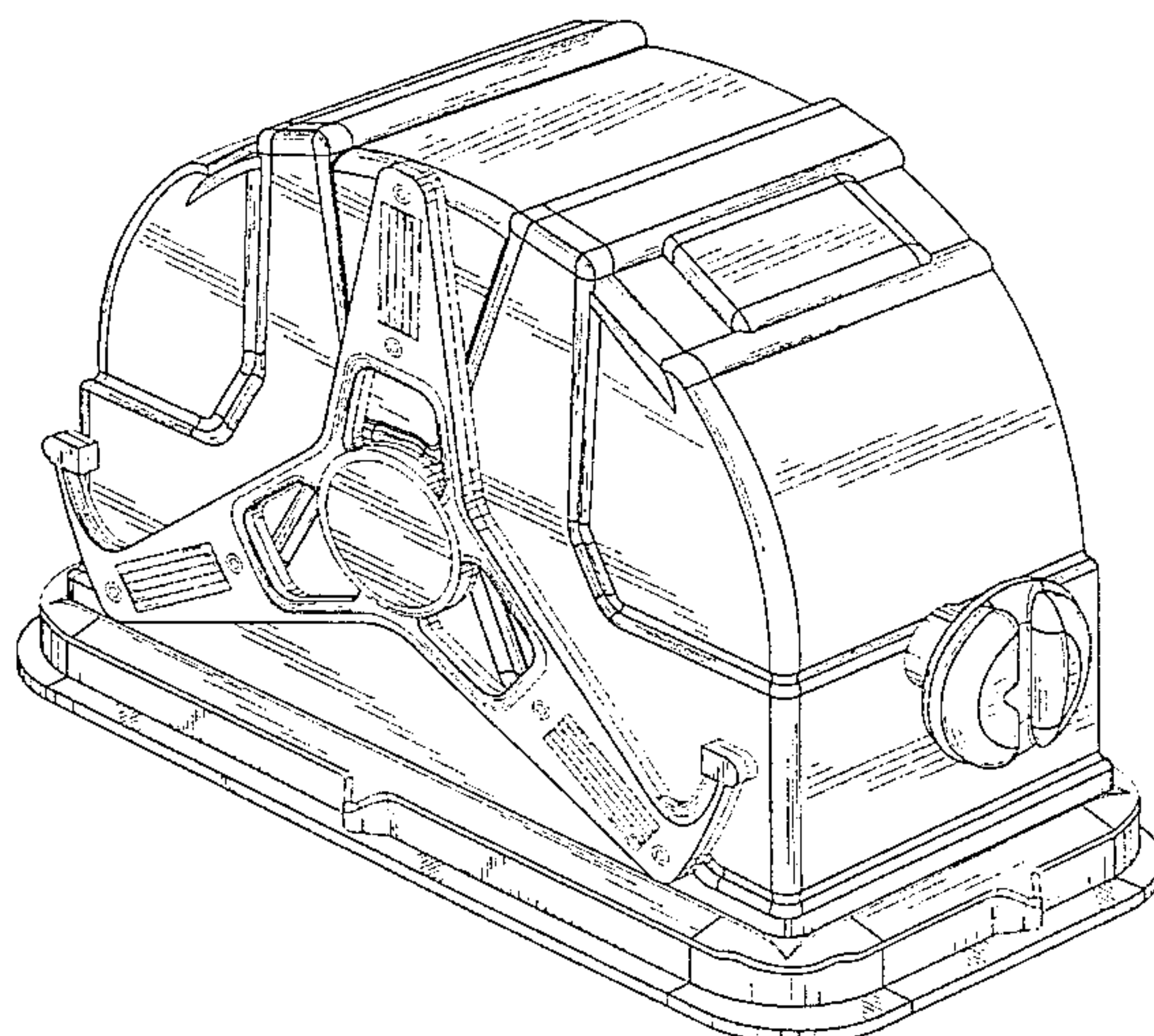
[57] **CLAIM**

The ornamental design for a 300 mm microenvironment pod with door on side, as shown and described.

DESCRIPTION

FIG. 1 is a perspective view of a 300 mm microenvironment pod with door on side, showing my new design; FIG. 2 is a front elevational view thereof; FIG. 3 is a rear elevational view thereof; FIG. 4 is a left side elevational view thereof; FIG. 5 is a right side elevational view thereof; FIG. 6 is a top plan view thereof; and, FIG. 7 is a bottom plan view thereof.

1 Claim, 7 Drawing Sheets



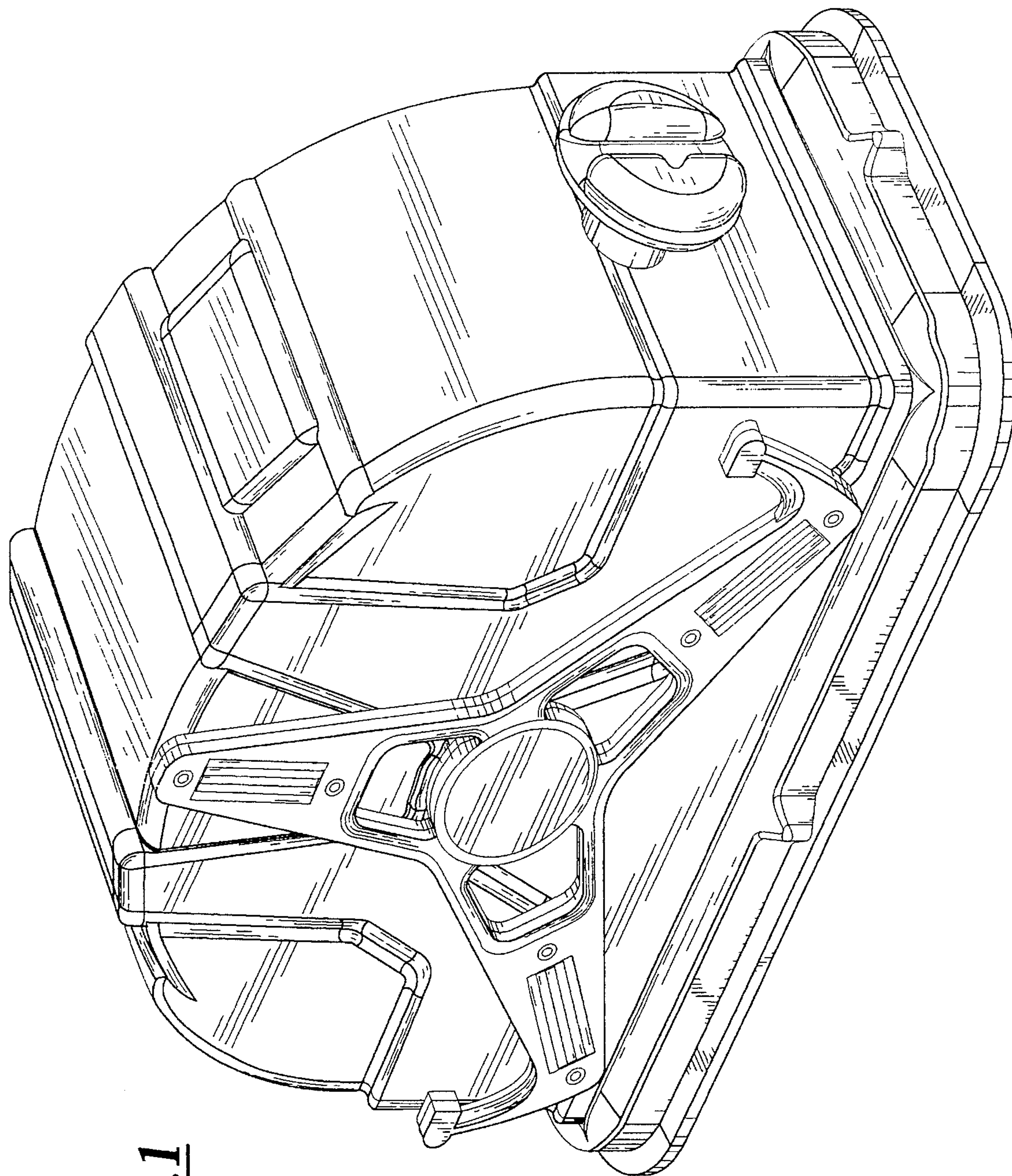


Fig. 1

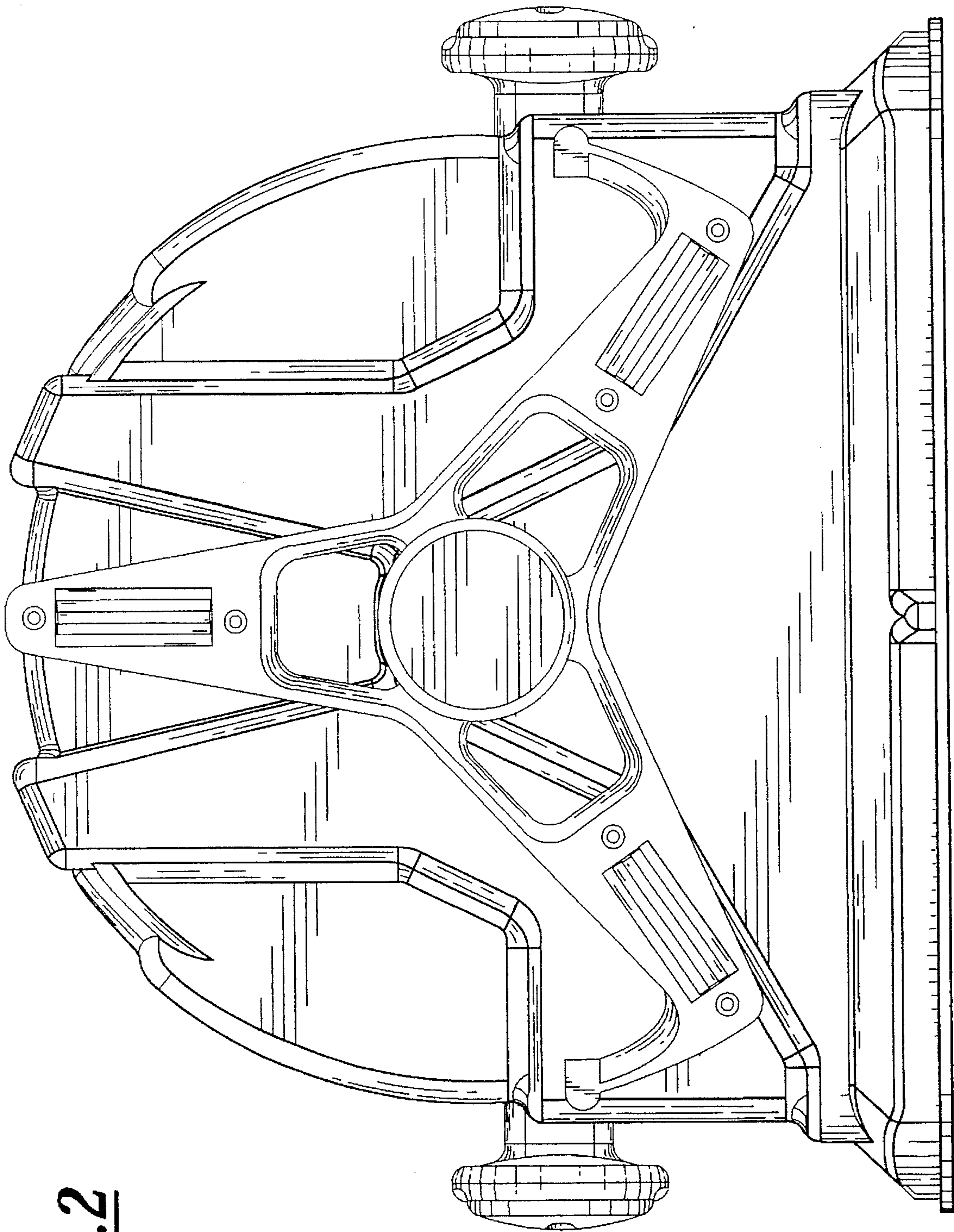


Fig. 2

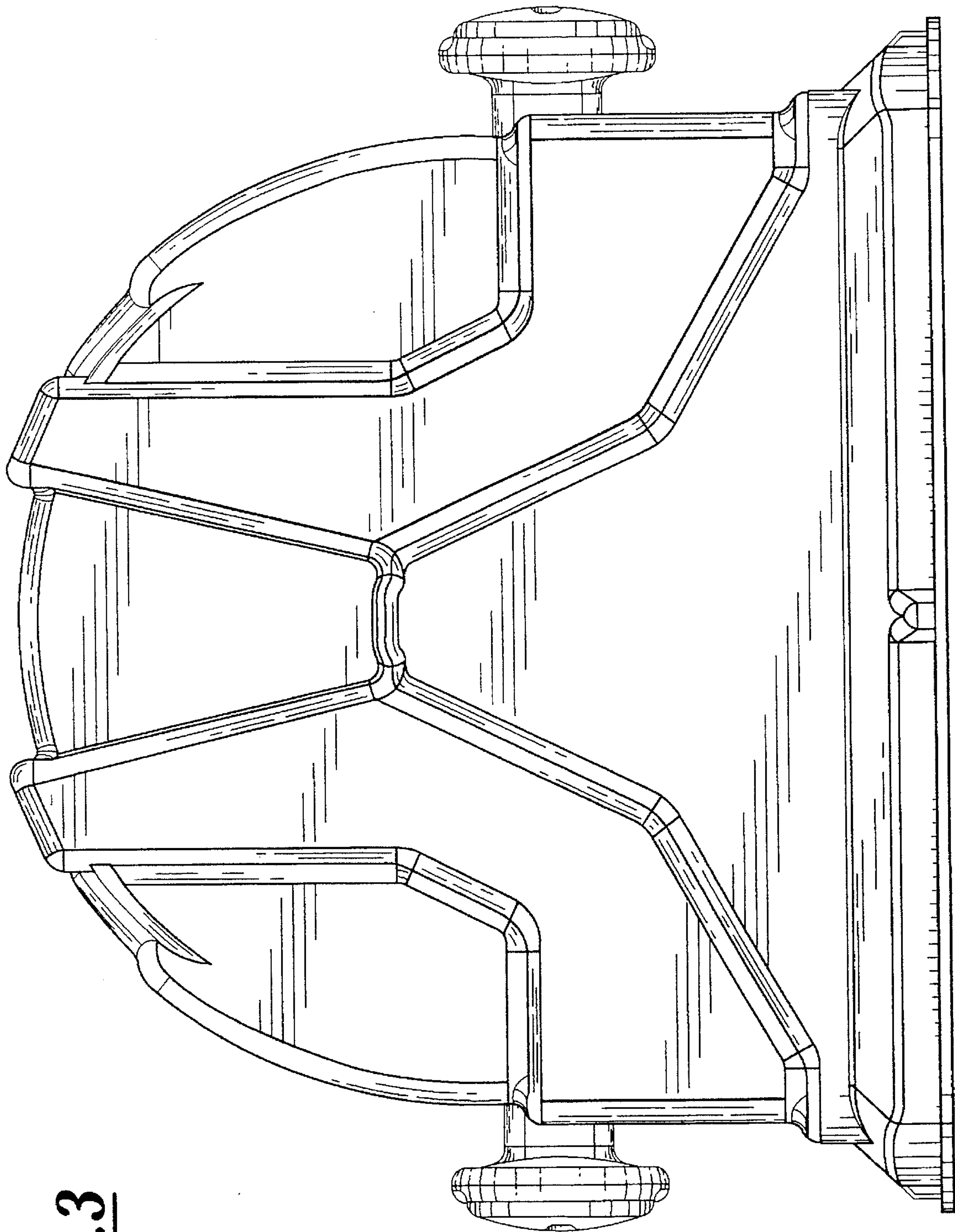


Fig. 3

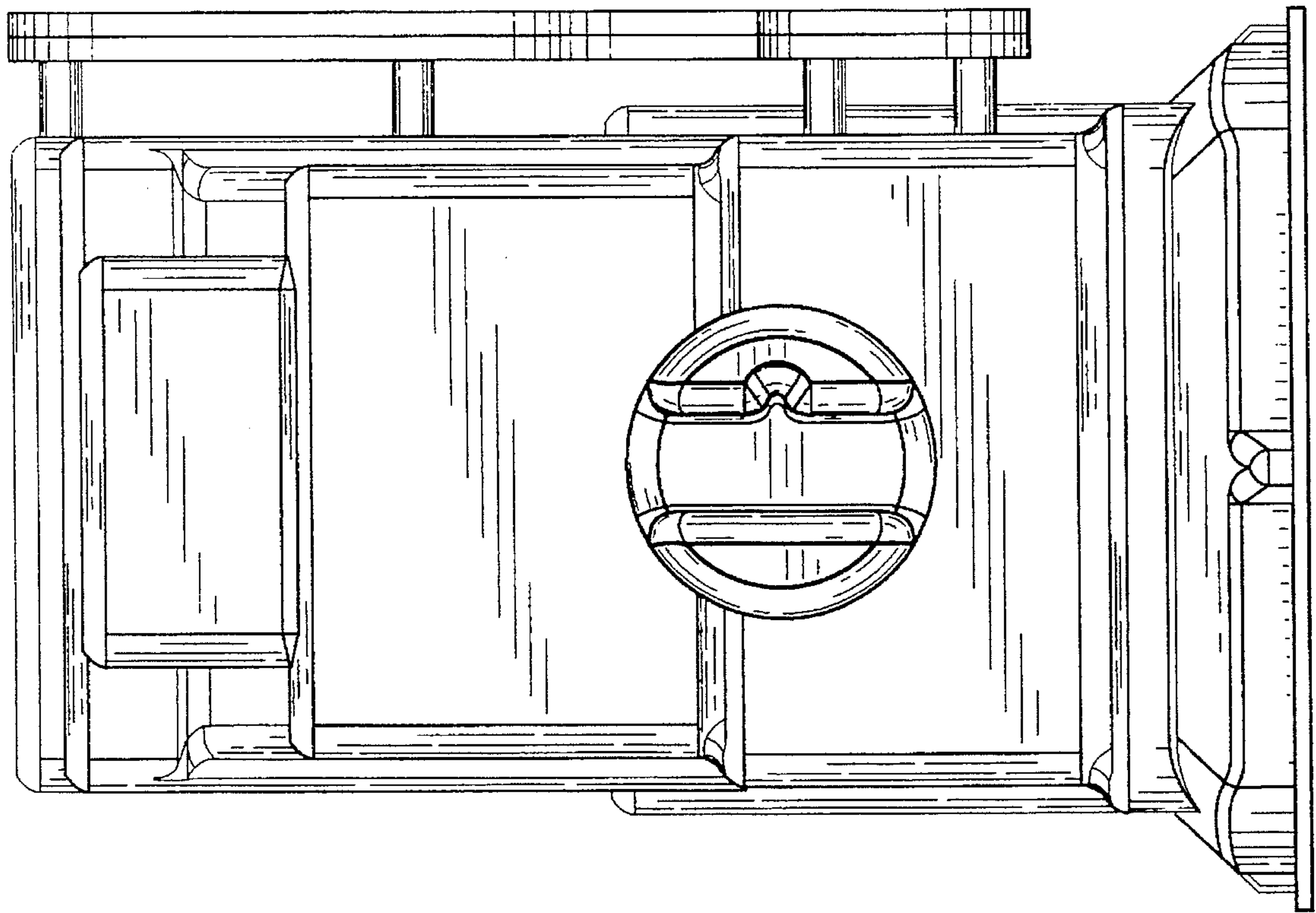


Fig. 4

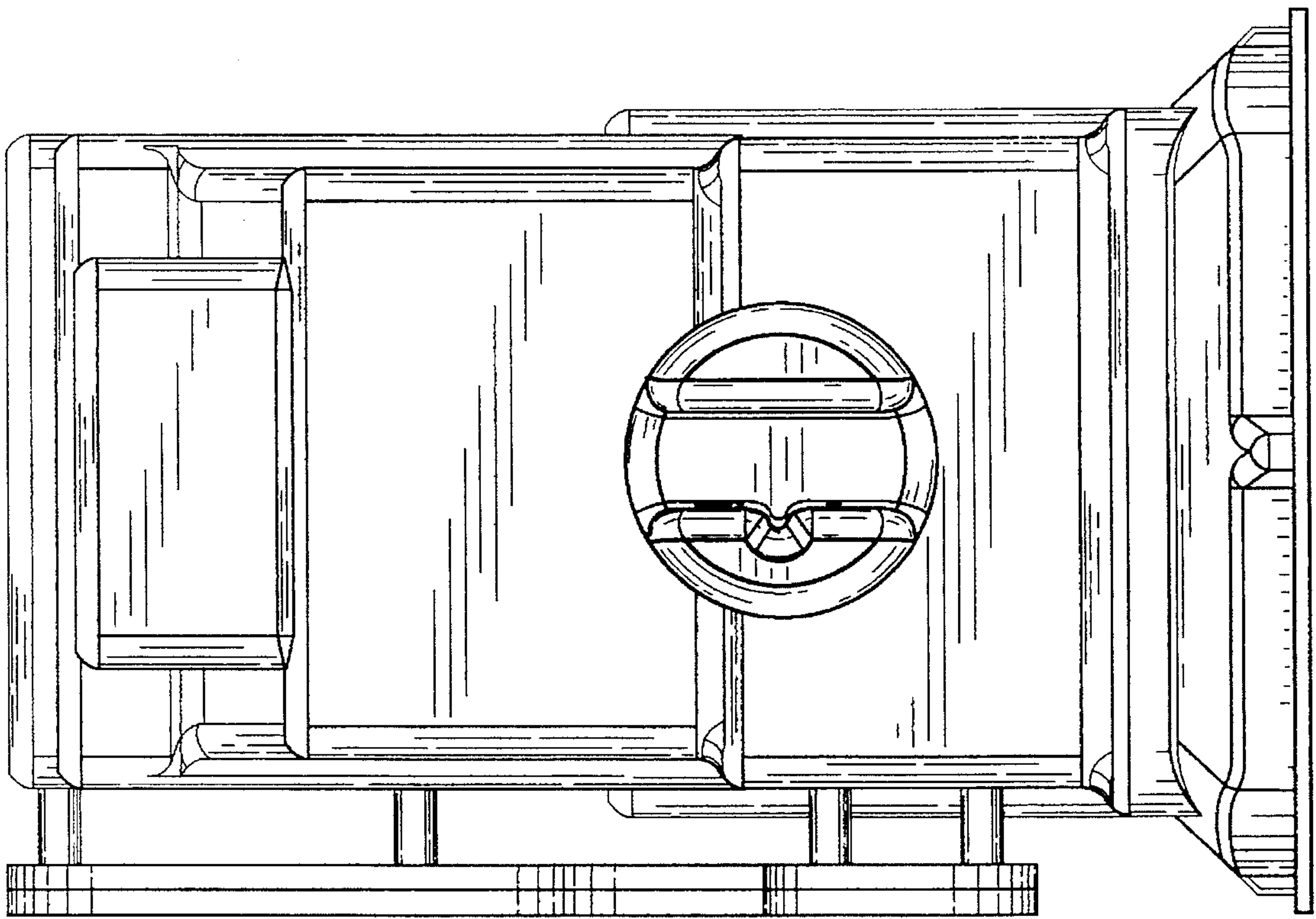


Fig. 5

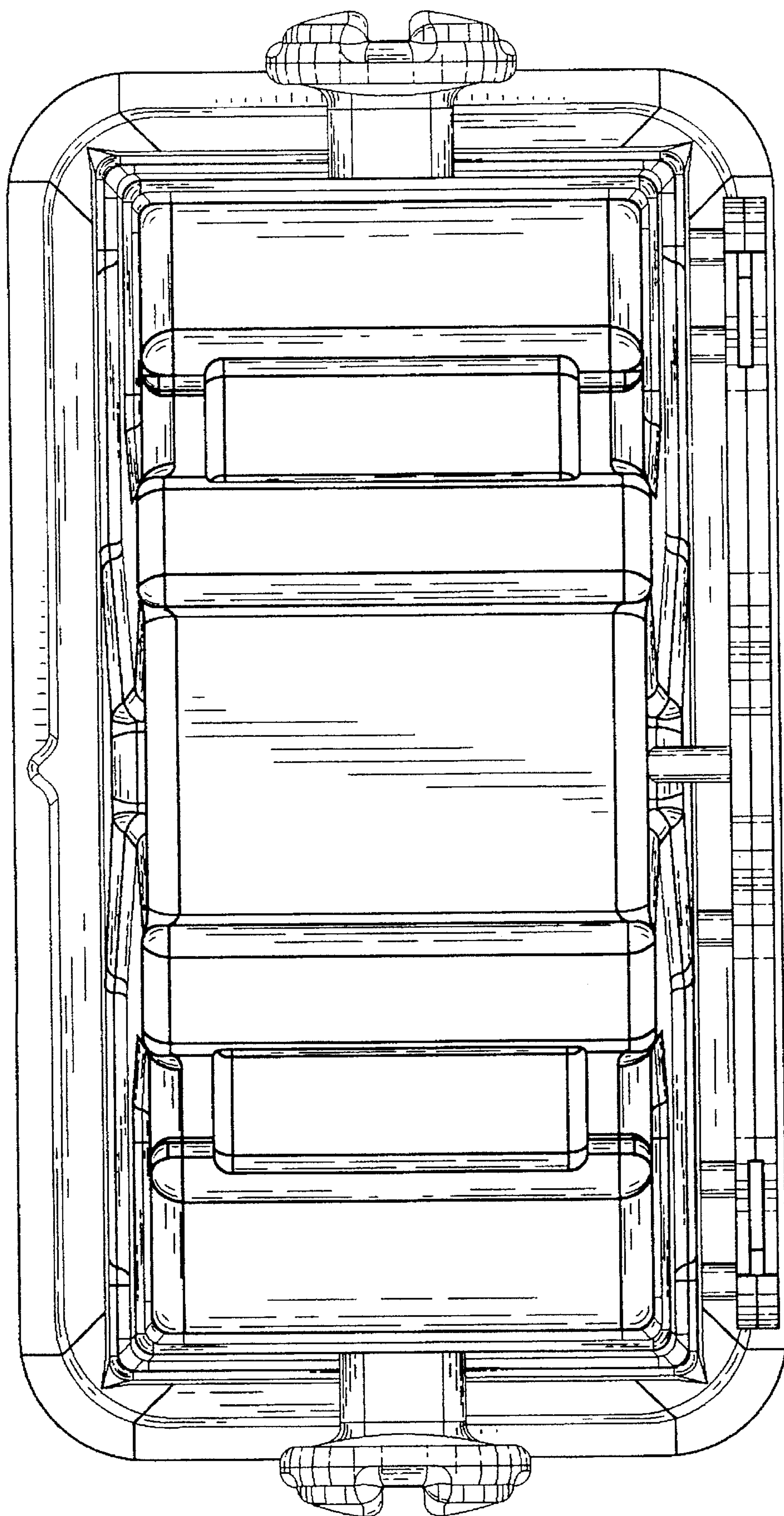


Fig. 6

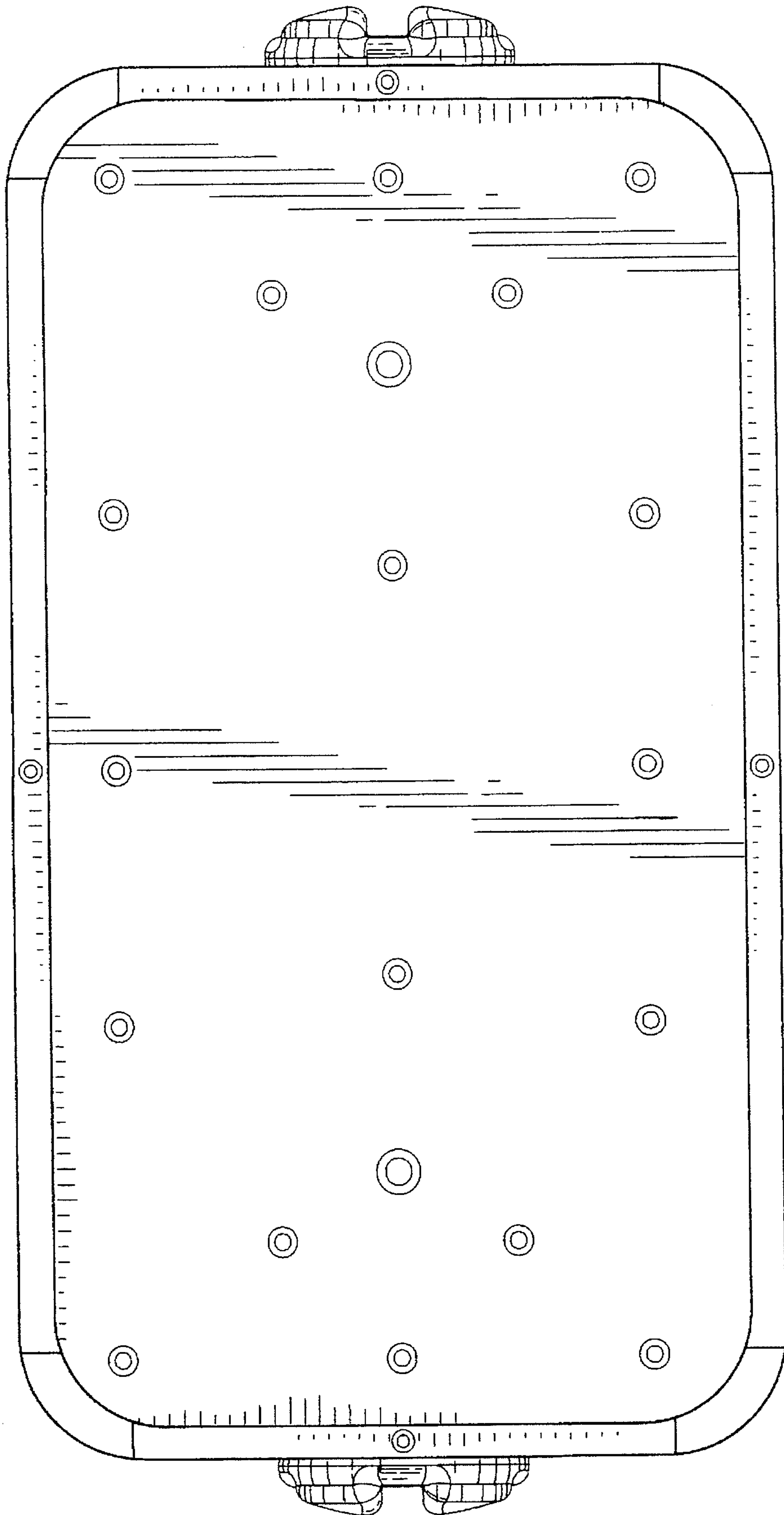


Fig. 7