



US00D378861S

United States Patent [19]
Swanson

[11] **Patent Number: Des. 378,861**
[45] **Date of Patent: **Apr. 15, 1997**

[54] **TORCHIERE LAMP WITH DOUBLE HEMISPHERE TRANSITION**

[75] Inventor: **Dennis K. Swanson**, Woodland Hills, Calif.

[73] Assignee: **Lamps Plus, Inc.**, Chatsworth, Calif.

[**] Term: **14 Years**

[21] Appl. No.: **50,056**

[22] Filed: **Feb. 7, 1996**

[52] U.S. Cl. **D26/110**

[58] Field of Search D26/92, 102-112;
362/410-414

[56] **References Cited**

U.S. PATENT DOCUMENTS

D. 302,332	7/1989	Clyde-Mason	D26/110
D. 368,548	4/1996	Lee	D26/106
D. 369,425	4/1996	Swanson	D26/63
5,016,154	5/1991	Leeyeh	362/414

OTHER PUBLICATIONS

Best Catalog, Insert in Washington Post, Sep. 27, 1992, p. 15 Floor Lamp #D.

Primary Examiner—Susan J. Lucas

Attorney, Agent, or Firm—Robbins, Berliner & Carson, LLP

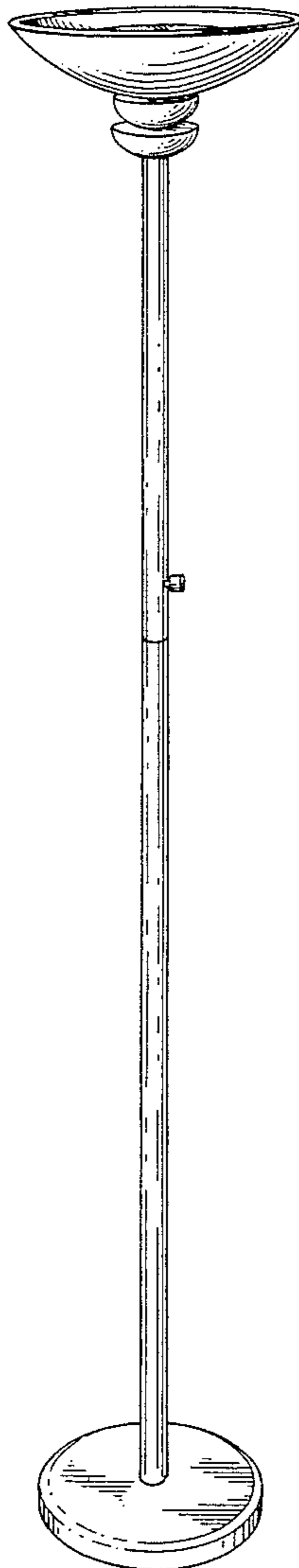
[57] **CLAIM**

The ornamental design of a torchiere lamp with double hemisphere transition, as shown and described.

DESCRIPTION

FIG. 1 is a perspective view illustrating the torchiere lamp with the double hemisphere transition of my design; FIG. 2 is a front elevational view thereof, the rear elevational view is a mirror image of FIG. 2; FIG. 3 is a top plan view thereof; FIG. 4 is a bottom view thereof; and, FIG. 5 is an enlarged fragmentary right side view of the transition portion and torchiere head taken on lines 5—5 of FIG. 1, the lamp being fragmentarily shown for convenience of illustration.

1 Claim, 2 Drawing Sheets



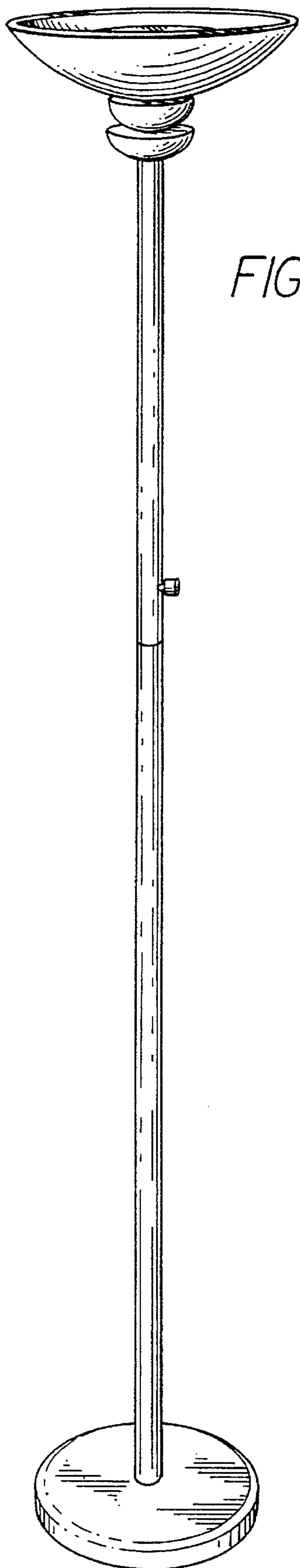


FIG. 1

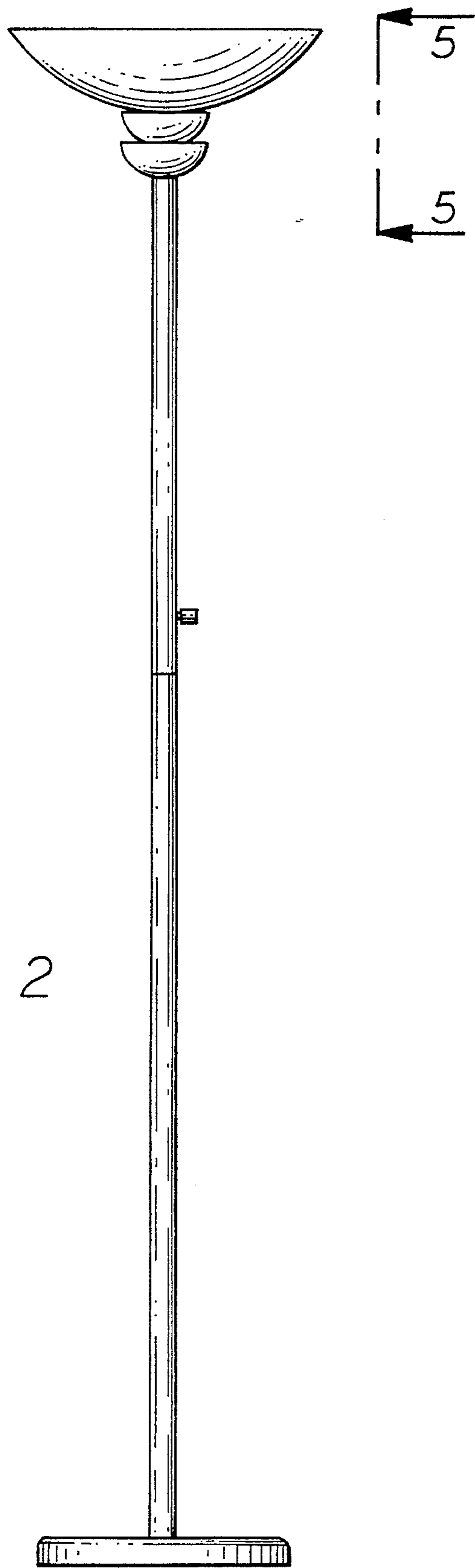


FIG. 2

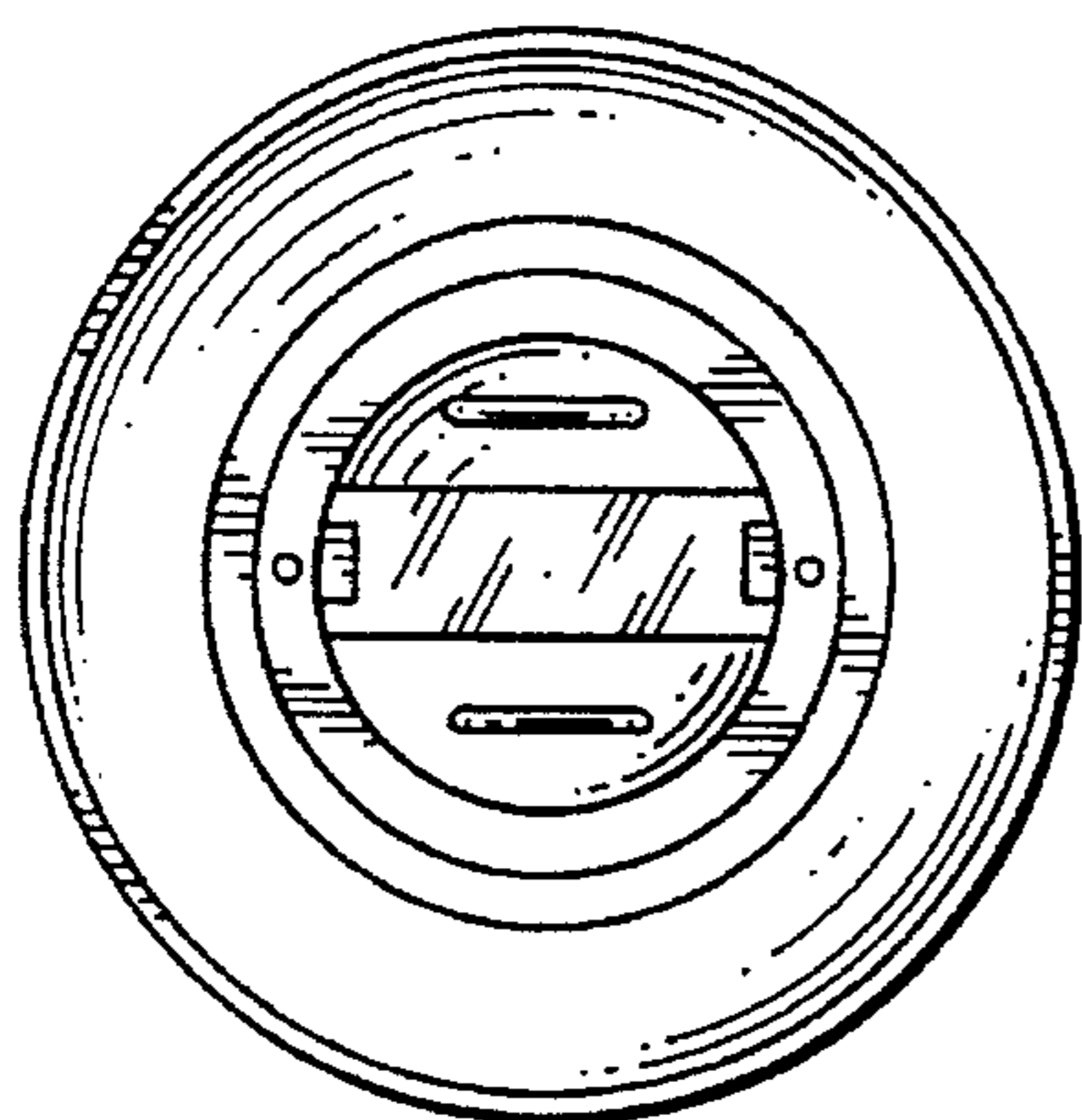


FIG. 3

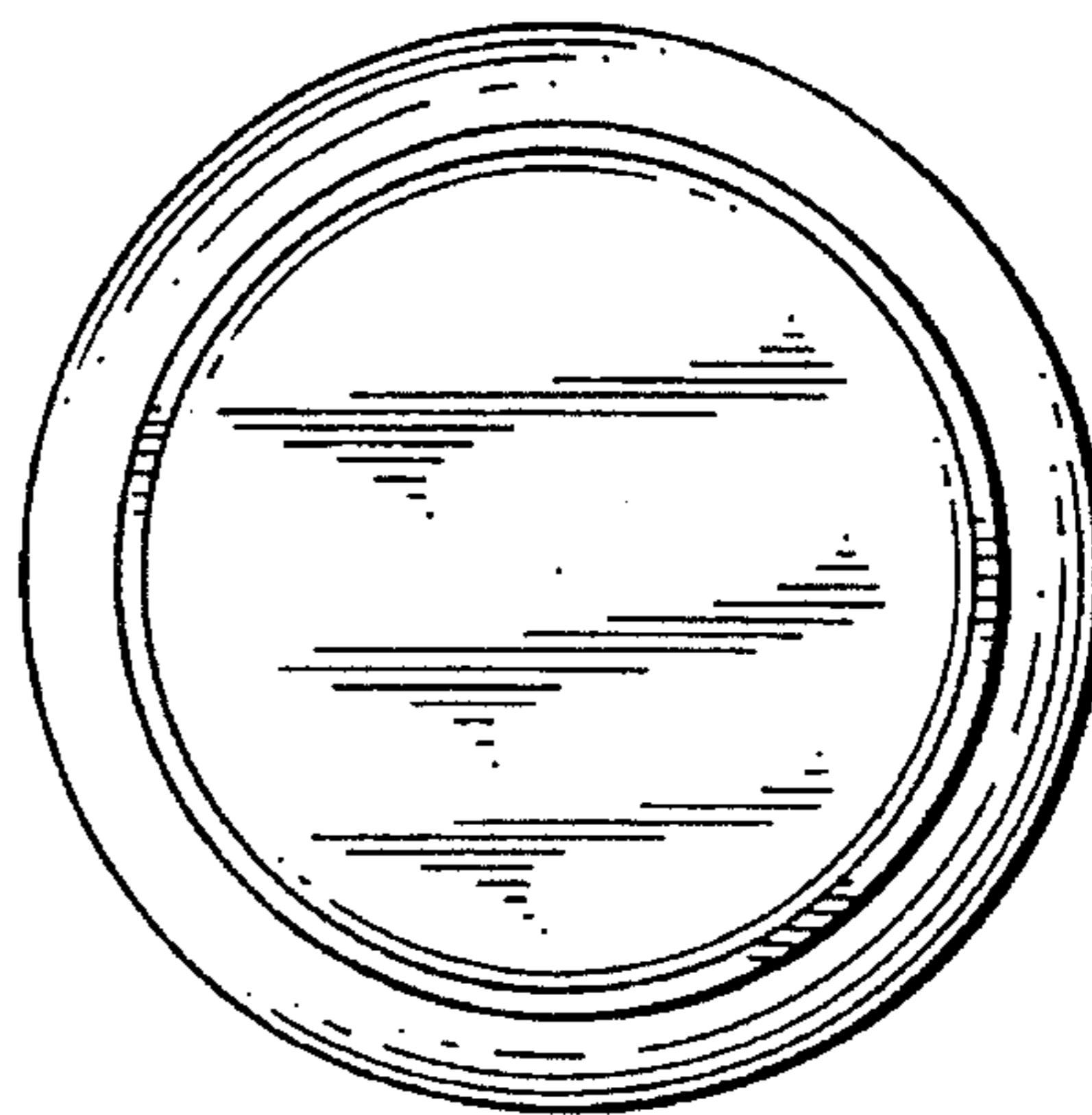


FIG. 4

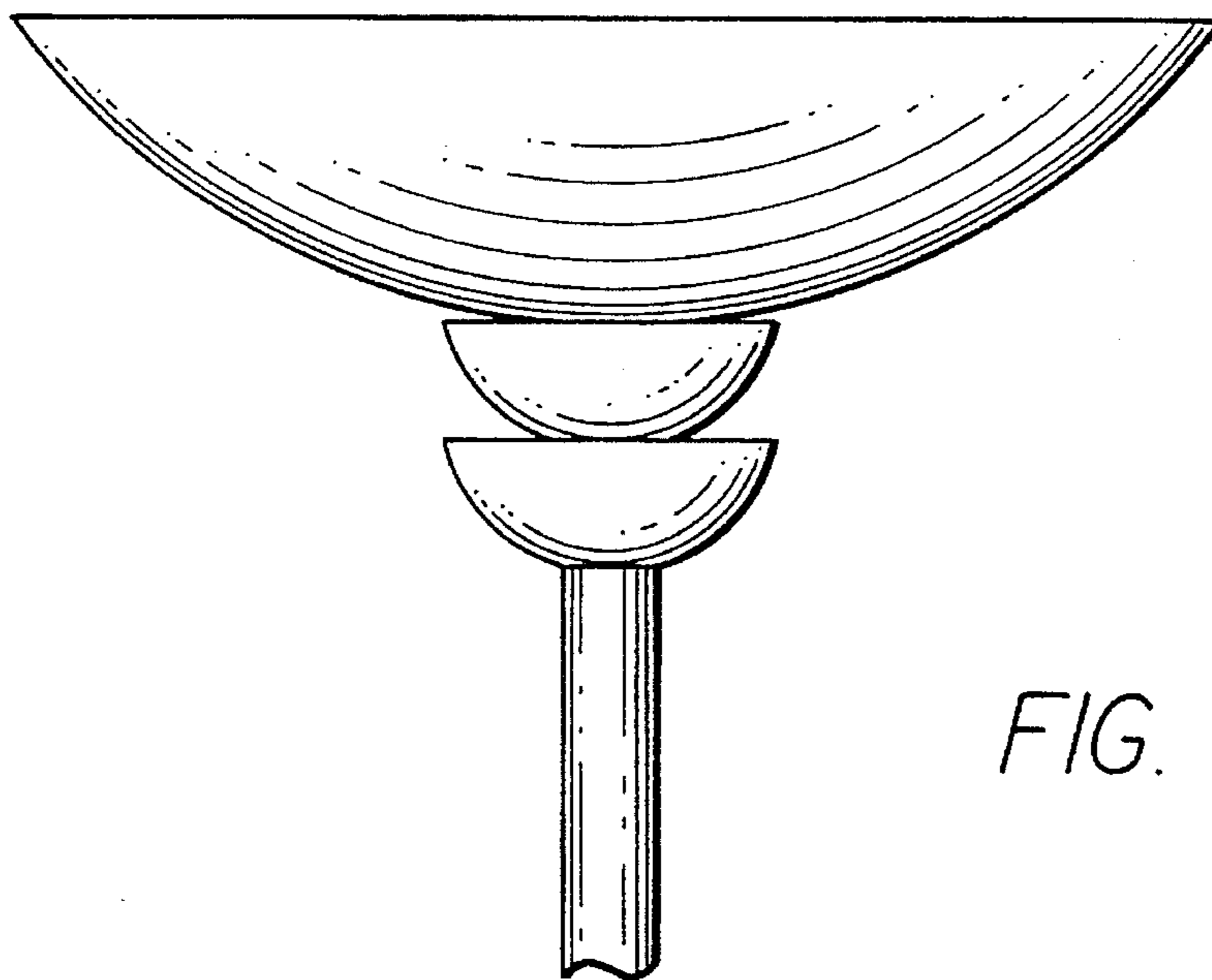


FIG. 5