



US00D378859S

United States Patent [19]

Yumita et al.

[11] Patent Number: **Des. 378,859**

[45] Date of Patent: ****Apr. 15, 1997**

[54] DESK LAMP

[75] Inventors: **Atsushi Yumita**, Saitama; **Naoto Ogimoto**, Okayama, both of Japan

[73] Assignees: **Yamagiwa Kabushiki Kaisha**, Tokyo; **Kabushiki Kaisha Hayashibara Seibutsu Kagaku Kenkyujo**, Okayama, both of Japan

[**] Term: **14 Years**

[21] Appl. No.: **37,177**

[22] Filed: **Apr. 5, 1995**

[30] Foreign Application Priority Data

Oct. 5, 1994 [JP] Japan 6-30249

[52] U.S. Cl. **D26/65; D26/60**

[58] Field of Search **D26/60, 63, 65; 362/269, 410, 413, 418, 419, 427, 396**

[56] References Cited

U.S. PATENT DOCUMENTS

D. 331,635	12/1992	Matsuda	D26/65
D. 331,813	12/1992	Matsuda	D26/65
D. 337,841	7/1993	Lu	D26/65
D. 352,125	11/1994	Hayashibara	D26/65
4,213,172	7/1980	Scattolin et al.	362/413
4,328,536	5/1982	Wallmark	362/413 X
5,101,332	3/1992	Hsia	362/413 X

OTHER PUBLICATIONS

LUXO General Catalogue 1993/94.

Primary Examiner—Susan J. Lucas

Attorney, Agent, or Firm—Browdy and Neimark

[57] CLAIM

The ornamental design for a desk lamp, as shown and described.

DESCRIPTION

FIG. 1 is a front elevational view of a desk lamp according to the present design;

FIG. 2 is a rear elevational view thereof;

FIG. 3 is a top plan view thereof;

FIG. 4 is a bottom plan view thereof;

FIG. 5 is a right side view thereof;

FIG. 6 is a left side view thereof;

FIG. 7 is a left side view thereof showing a state in which two shaft members of the upper arm part closely contact each other;

FIG. 8 is a left side view thereof showing a state in which two shaft members of the lower arm part closely contact each other;

FIG. 9 is a left side view thereof showing a state in which two shaft members of the both upper and lower arm parts closely contact each other, respectively; and,

FIG. 10 is a left side view thereof showing a state in which the head rotates left.

1 Claim, 8 Drawing Sheets

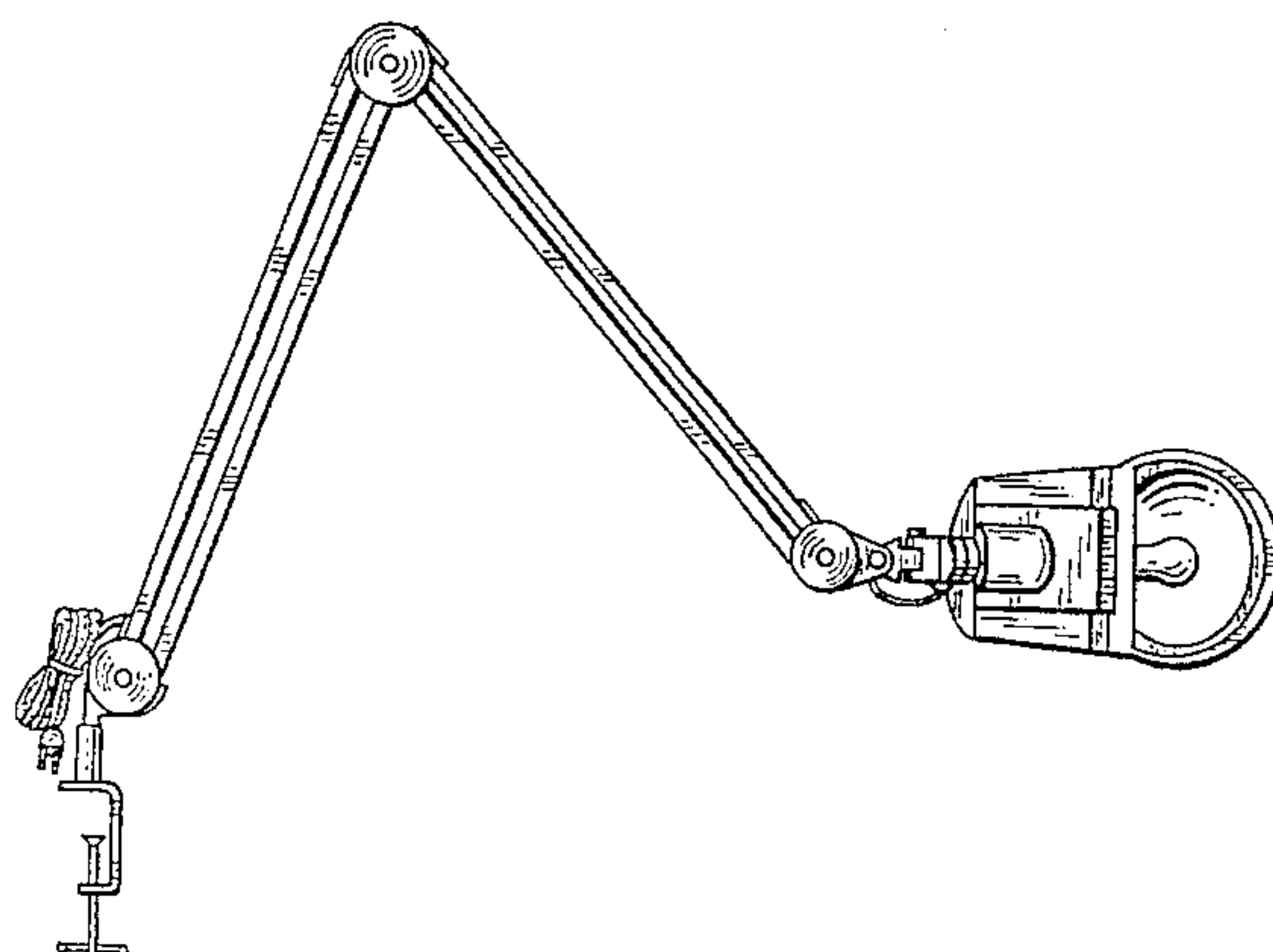
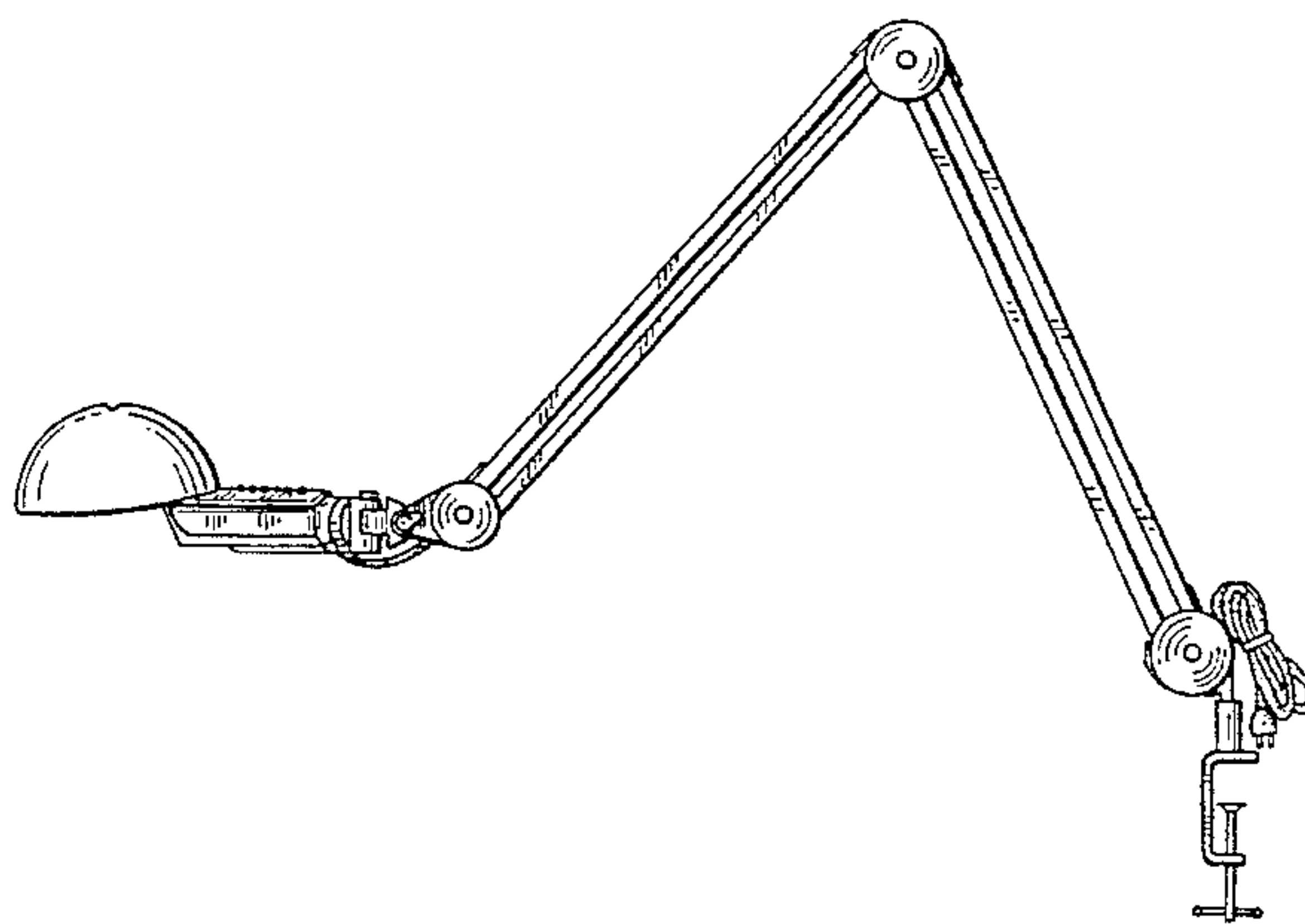


FIG. 1

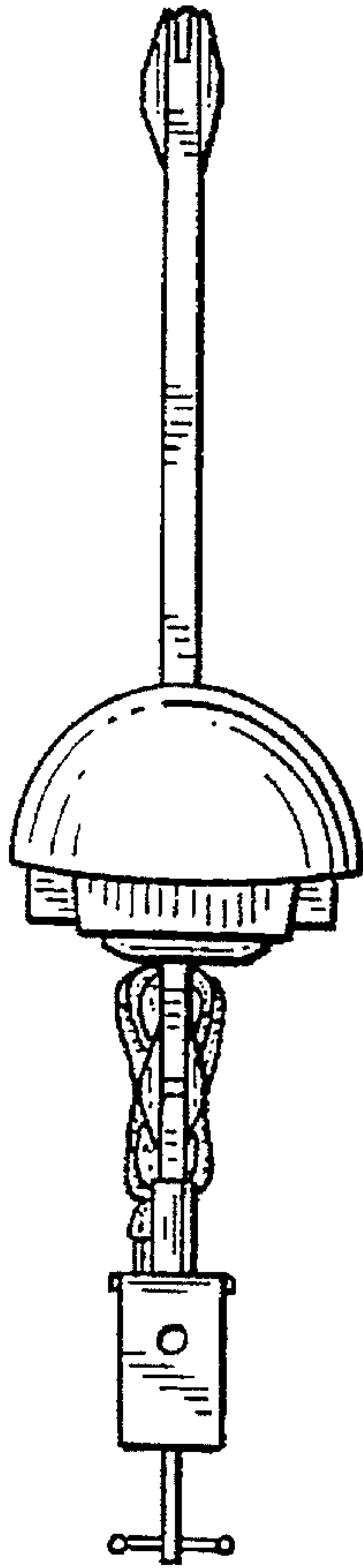


FIG. 2

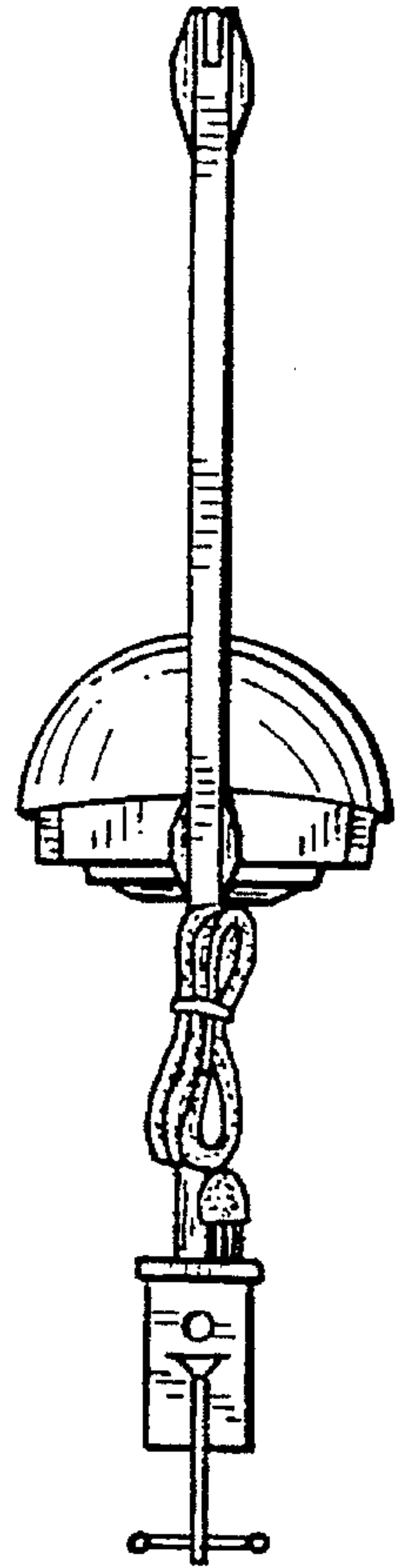


FIG. 3

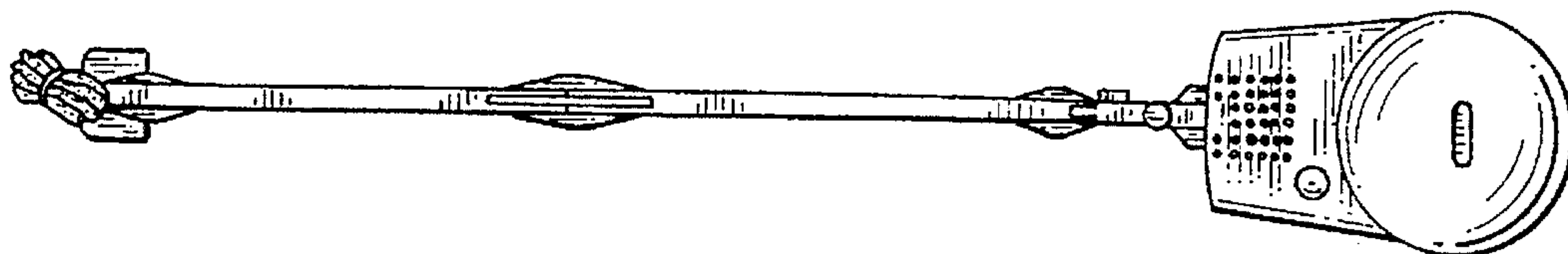


FIG. 4

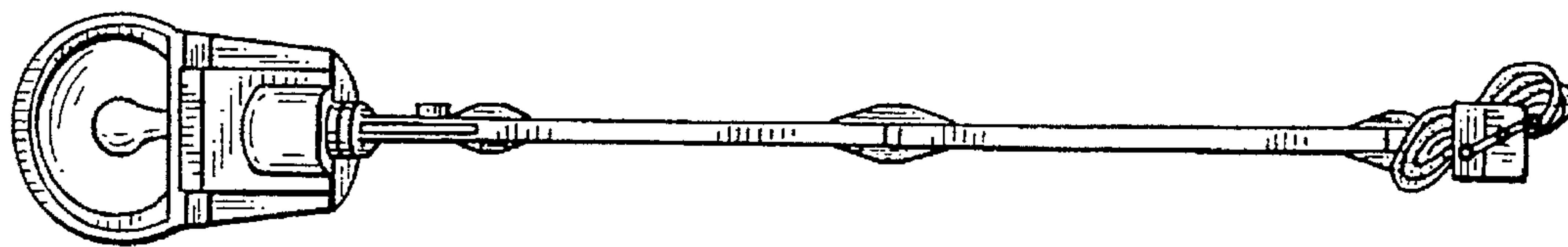


FIG. 5

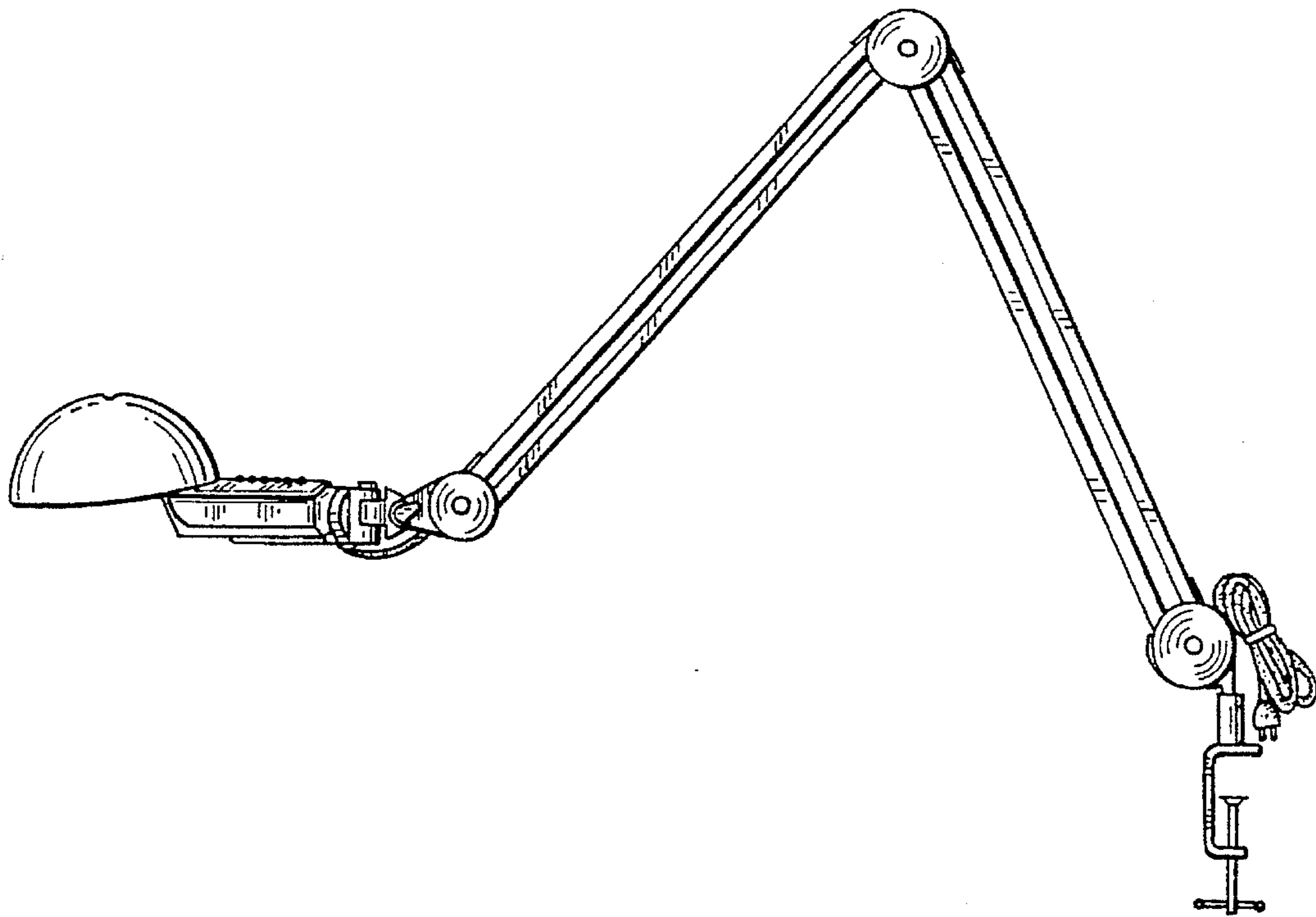


FIG. 6

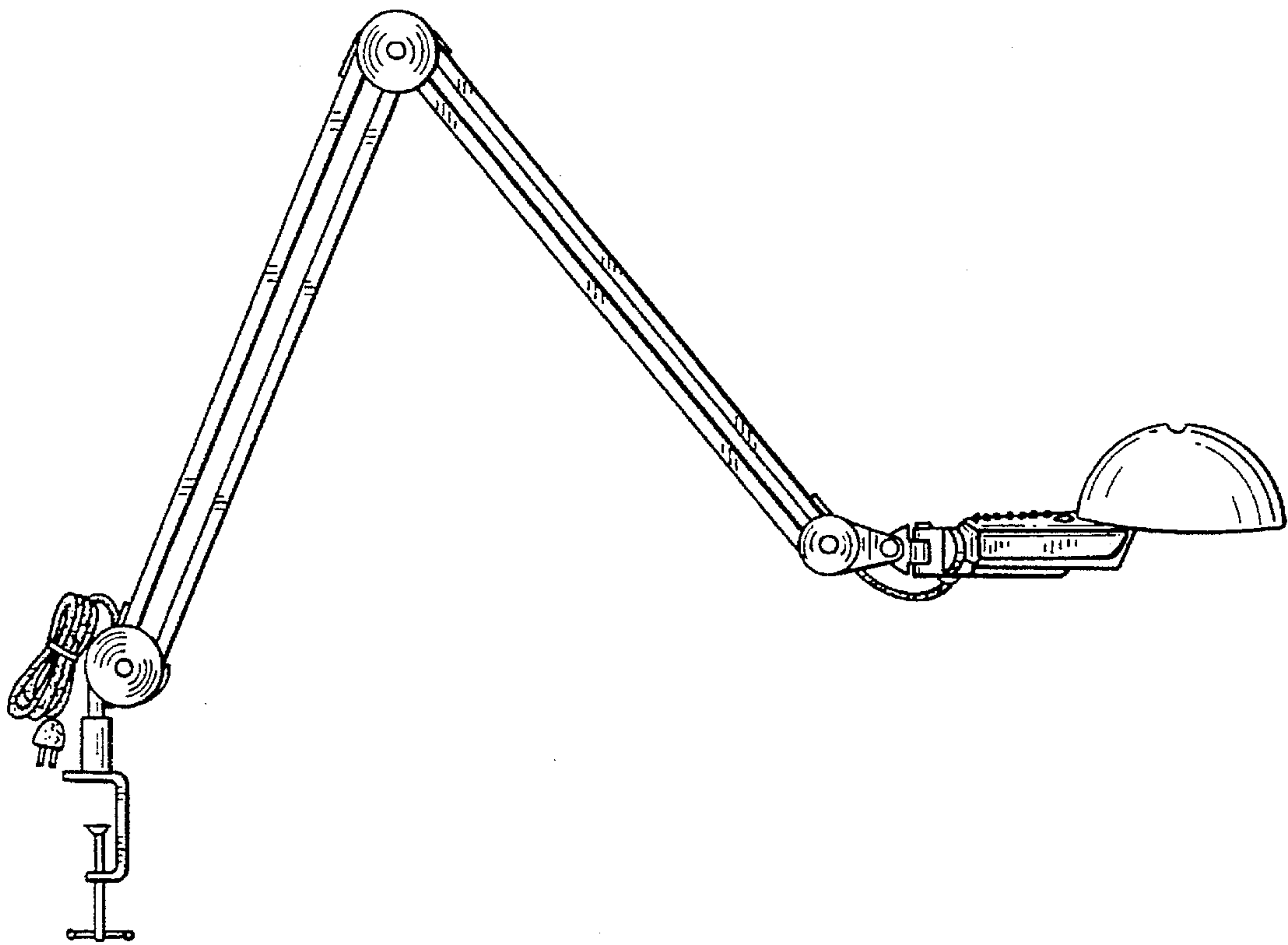


FIG. 7

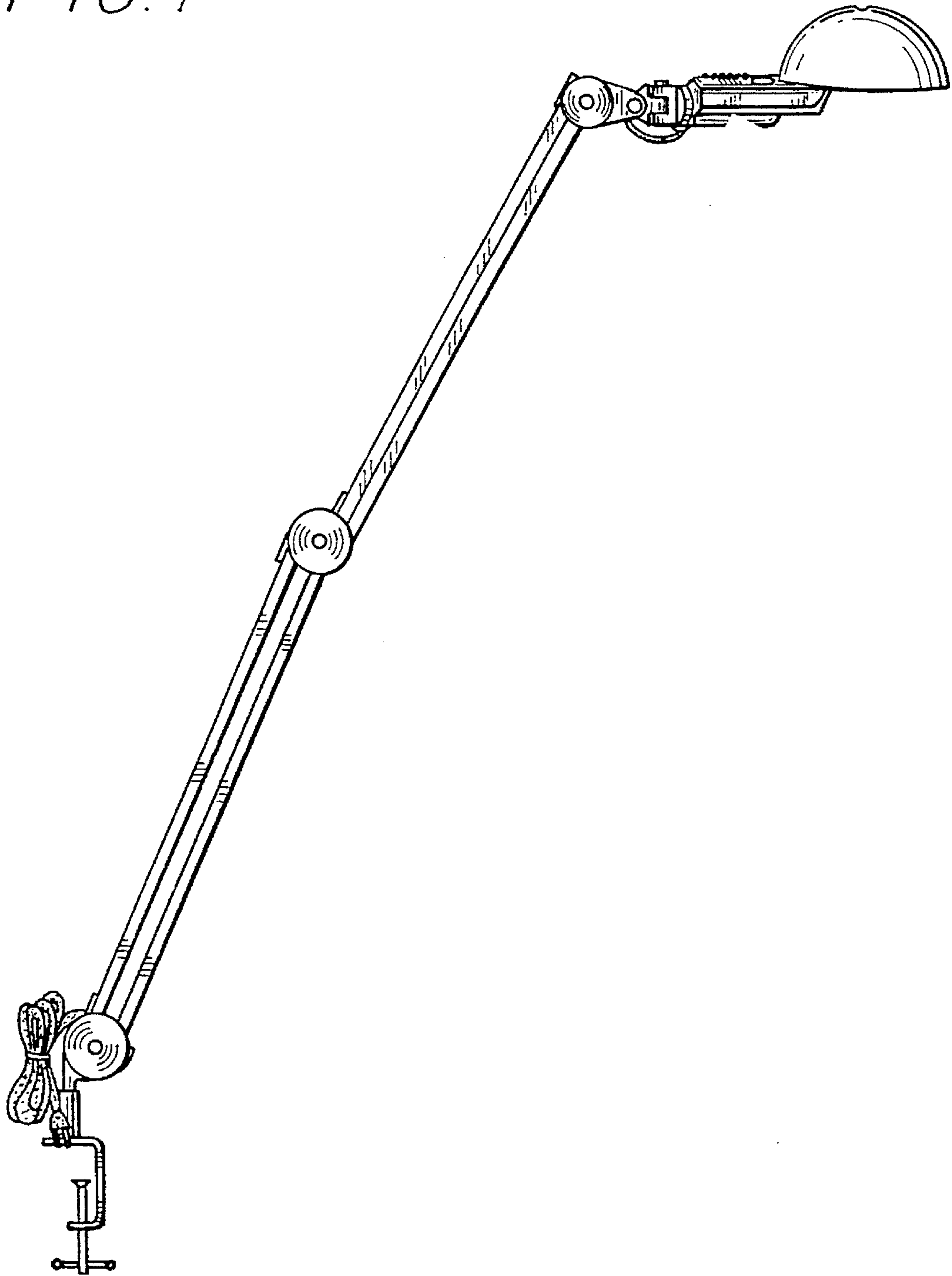


FIG. 8

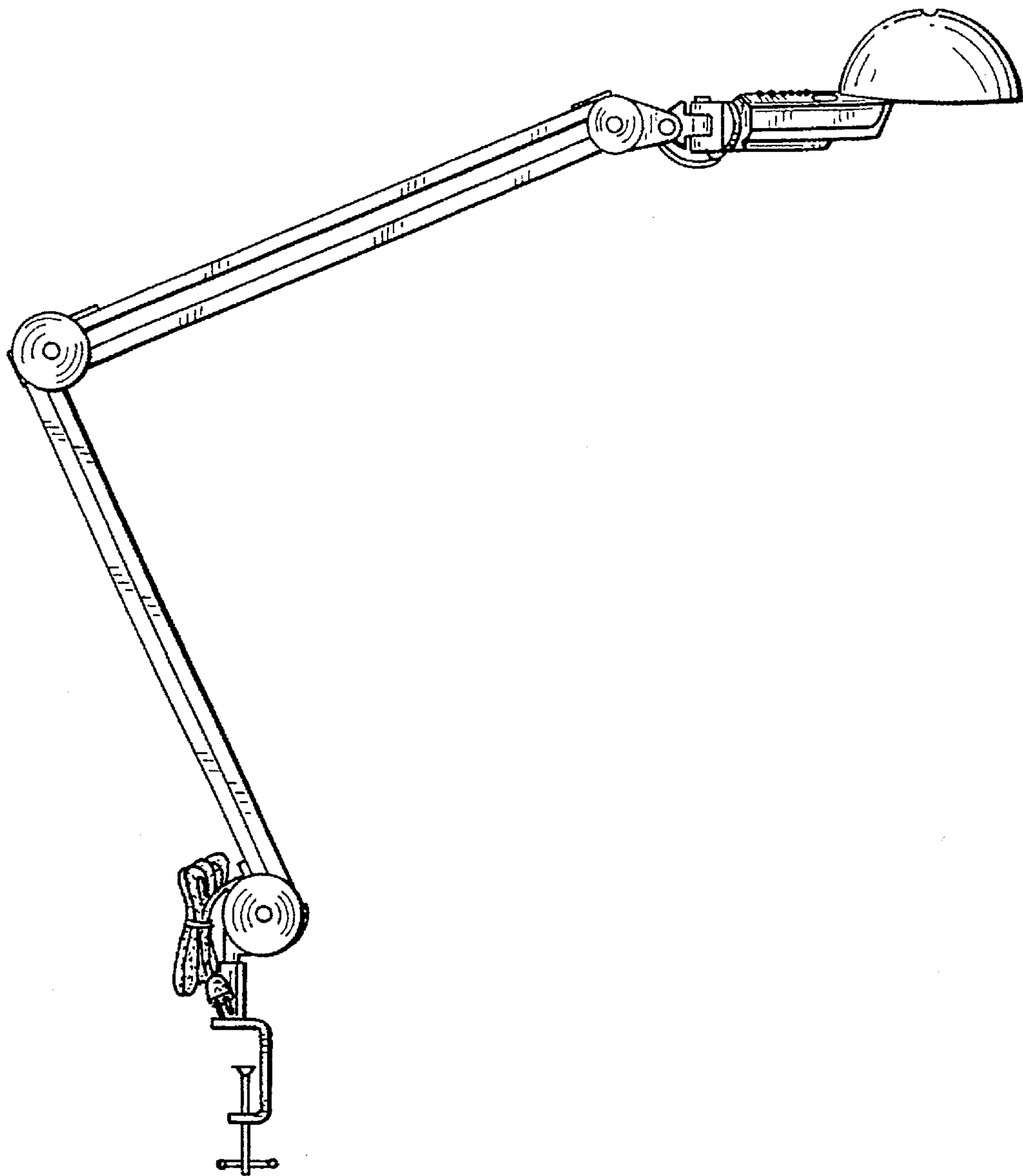


FIG. 9

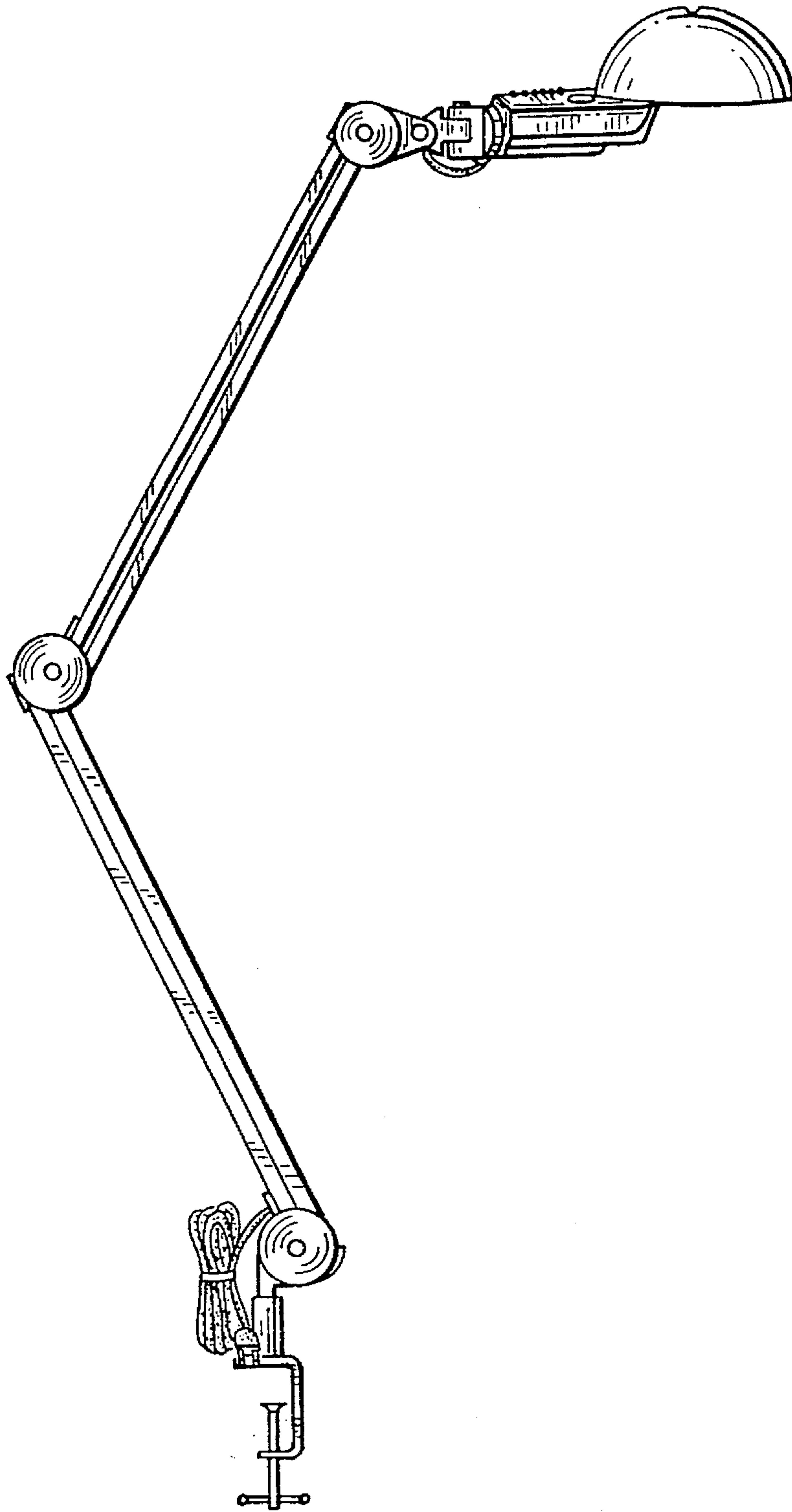


FIG. 10

