



US00D378858S

United States Patent [19]
Kaiser

[11] **Patent Number: Des. 378,858**

[45] **Date of Patent: **Apr. 15, 1997**

[54] **HEAD FOR A FLEXIBLE FLASHLIGHT**

[75] Inventor: **David W. Kaiser**, North Haven, Conn.

[73] Assignee: **Black & Decker Inc.**, Newark, Del.

[**] Term: **14 Years**

[21] Appl. No.: **37,597**

[22] Filed: **Apr. 17, 1995**

[52] **U.S. Cl.** **D26/43**

[58] **Field of Search** D26/37, 43, 44,
D26/46, 49, 60, 62; 362/157, 158, 184,
188, 189, 191, 198, 19, 200, 202, 205-208,
255, 362, 396

[56] **References Cited**

U.S. PATENT DOCUMENTS

| | | | | |
|------------|---------|--------------|-------|----------|
| D. 147,258 | 8/1947 | Becker | | D26/43 |
| D. 166,073 | 3/1952 | Dunkelberger | | D26/43 |
| D. 285,361 | 8/1986 | Macucci | | D26/37 X |
| D. 314,246 | 1/1991 | Bache | | D26/62 |
| D. 328,146 | 7/1992 | Sinsteden | | D26/49 |
| 3,111,277 | 11/1963 | Grimsley | | D26/43 X |

Primary Examiner—A. Hugo Word
Assistant Examiner—Lavone D. Tabor
Attorney, Agent, or Firm—Barry E. Deutsch

[57] **CLAIM**

The ornamental design for a head for a flexible flashlight, as shown and described.

DESCRIPTION

FIG. 1 is a perspective view taken from the front, top, and right side of a head for a flexible flashlight showing my new design, the portion shown in phantom is illustrative of a flexible core to which my new design may be attached;

FIG. 2 is a right side elevational view thereof;

FIG. 3 is a left side elevational view thereof;

FIG. 4 is a front elevational view thereof;

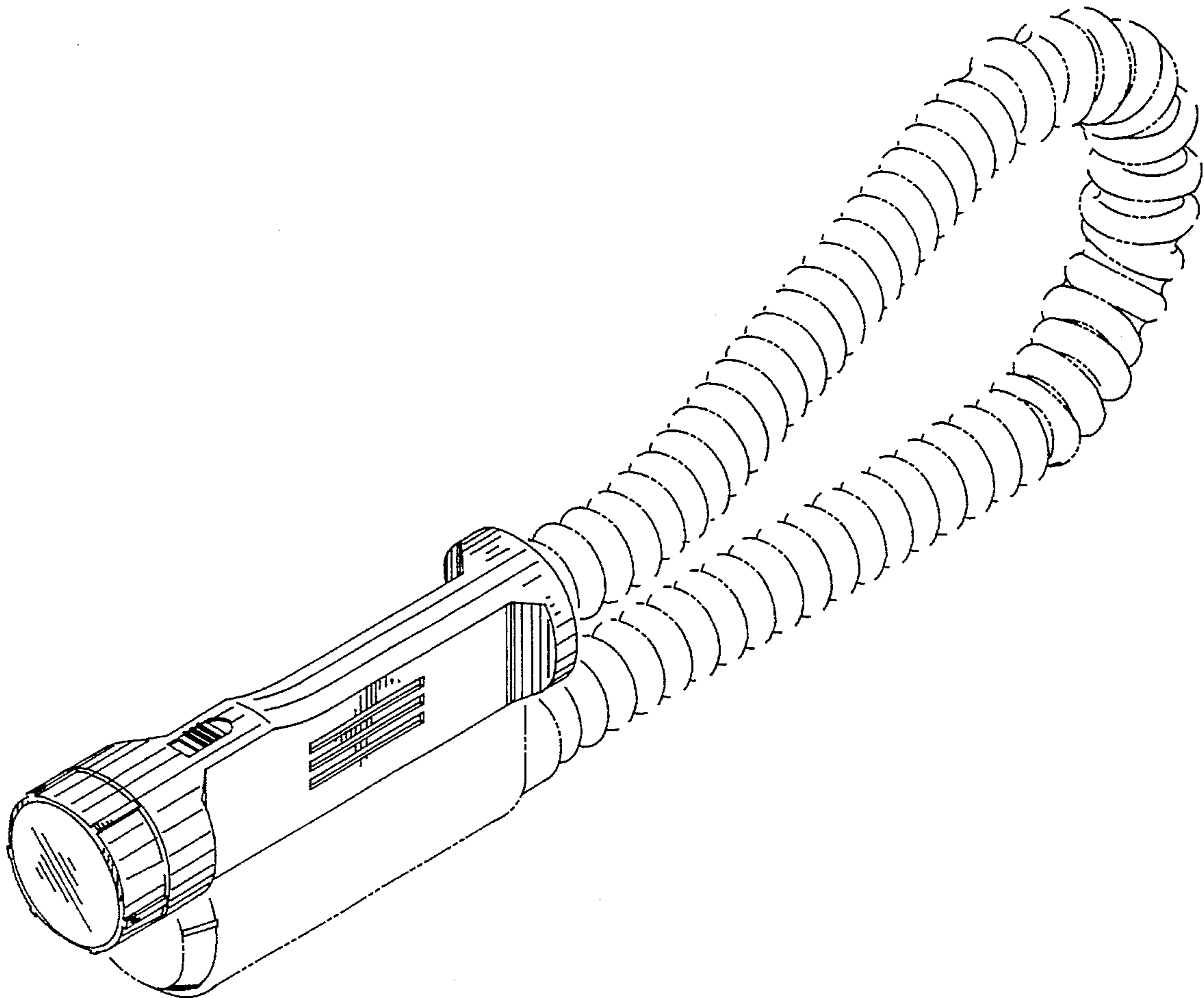
FIG. 5 is a rear elevational view thereof;

FIG. 6 is a top plan view thereof; and,

FIG. 7 is a bottom plan view thereof.

The broken lines are for illustrative purpose only and form no part of the claimed design.

1 Claim, 3 Drawing Sheets



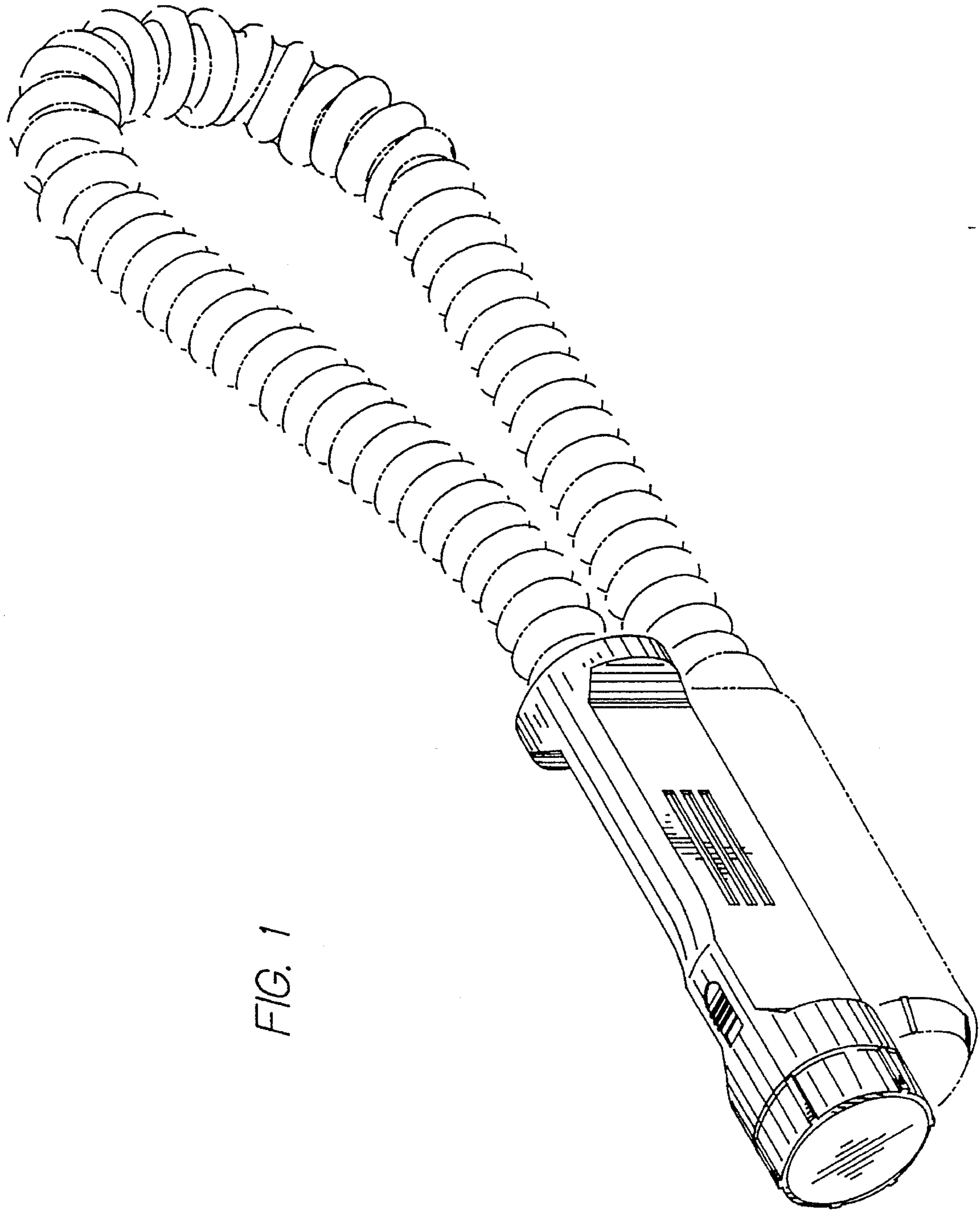


FIG. 1

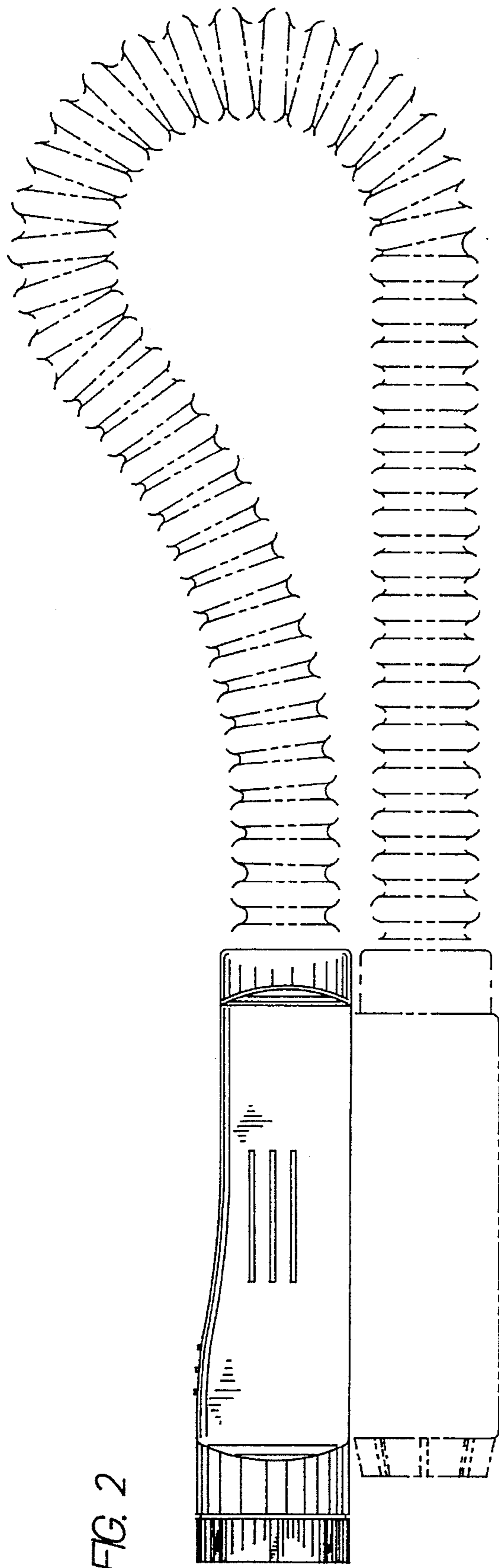


FIG. 2

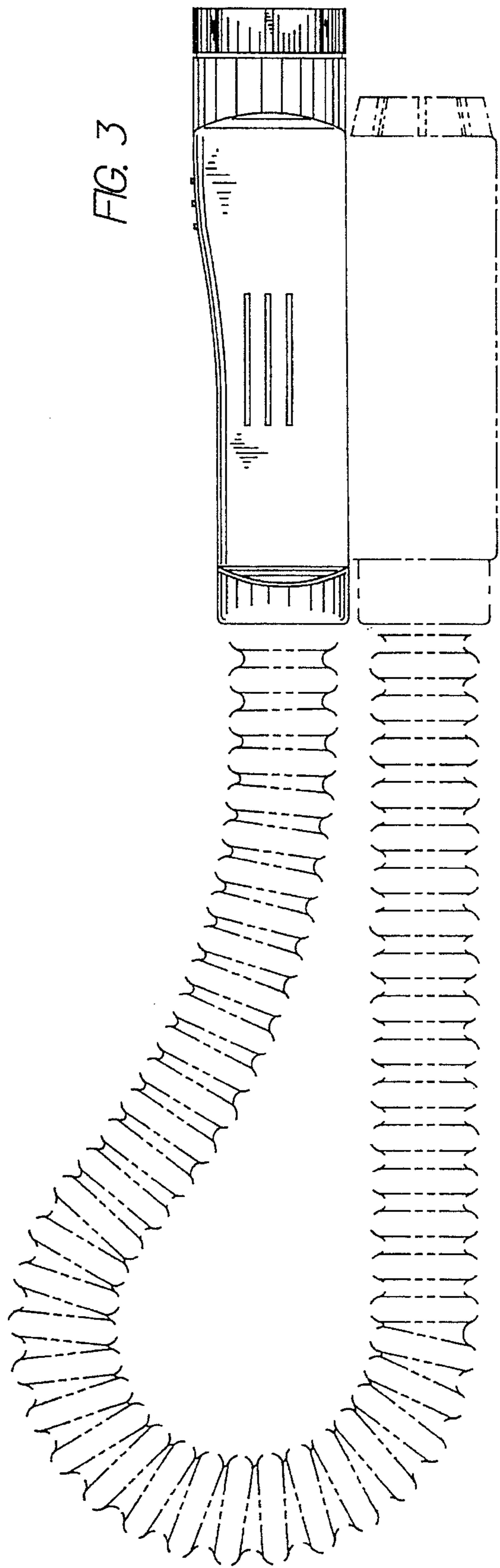


FIG. 3

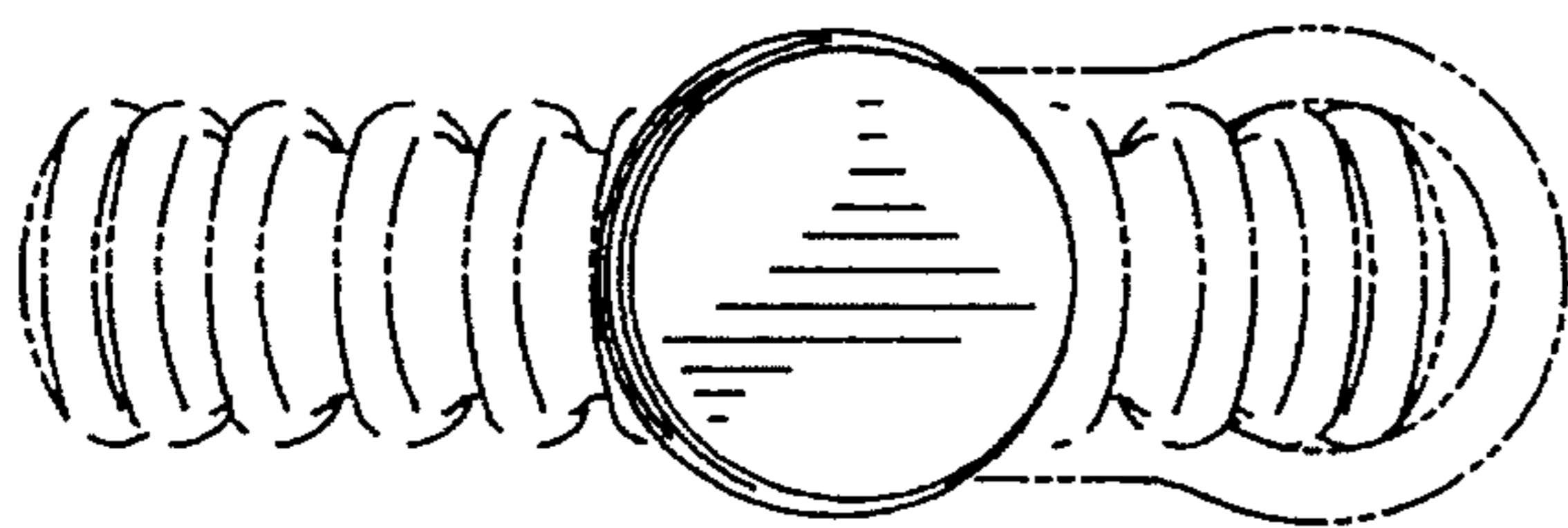


FIG. 5

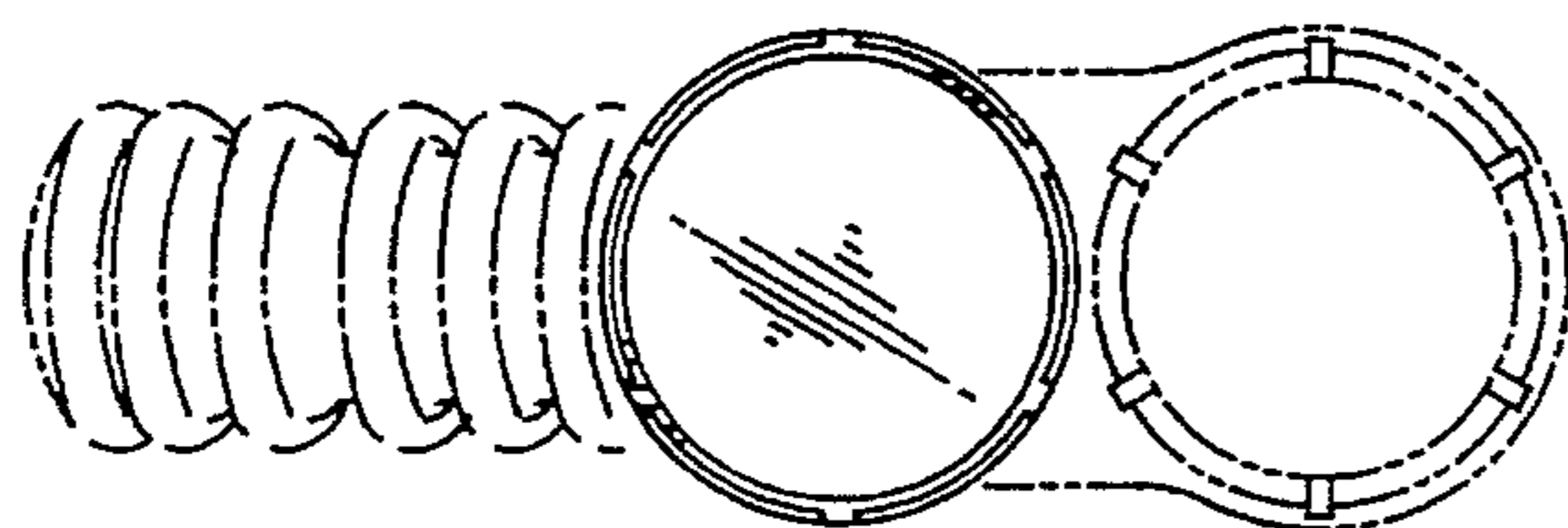


FIG. 4

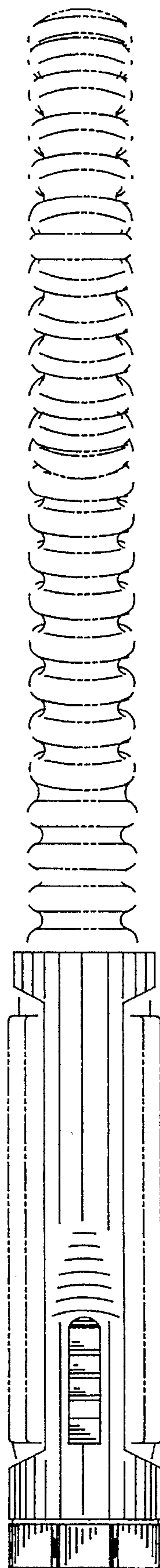


FIG. 6

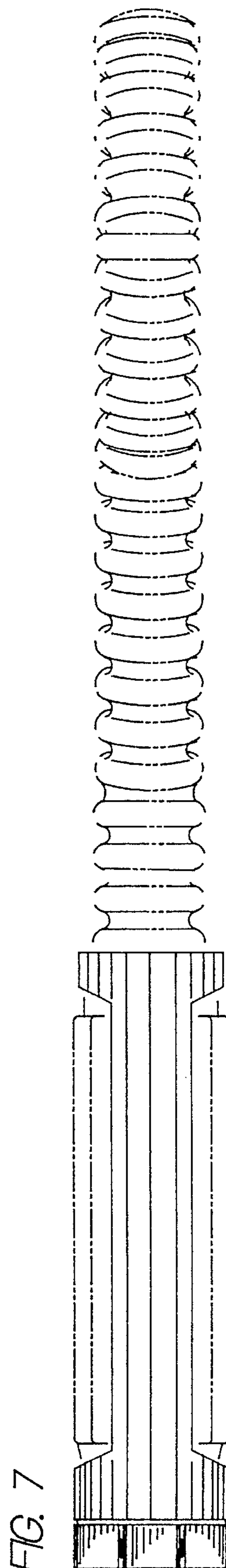


FIG. 7