



US00D378852S

# United States Patent [19] Smolarski

[11] Patent Number: **Des. 378,852**  
[45] Date of Patent: **\*\*Apr. 15, 1997**

[54] **FLOOR REGISTER**

492,233 2/1893 Reese ..... 454/307

[75] Inventor: **Morris Smolarski**, Clayton, Australia

### OTHER PUBLICATIONS

[73] Assignee: **Ripponlea Australia Pty. Ltd.**,  
Victoria, Australia

Harrington & King Perforating Co. Cat; 1932, p. 13, grille with partholes Perforated Metals Boxes.  
Harrington & King Perforating Co Cat, 1936 p. 10, Diagonal Lattice Perforated Metals Boxes.

[\*\*] Term: **14 Years**

*Primary Examiner*—Susan J. Lucas  
*Assistant Examiner*—Cynthia E. Ramirez  
*Attorney, Agent, or Firm*—Larson and Taylor

[21] Appl. No.: **35,801**

[22] Filed: **Mar. 7, 1995**

[30] **Foreign Application Priority Data**

[57] **CLAIM**

Sep. 7, 1994 [AU] Australia ..... 121756

[52] **U.S. Cl.** ..... **D23/388**

The ornamental design of a floor register, as shown and described.

[58] **Field of Search** ..... D23/388, 387;  
52/302, 303, 663; 454/289, 292

### DESCRIPTION

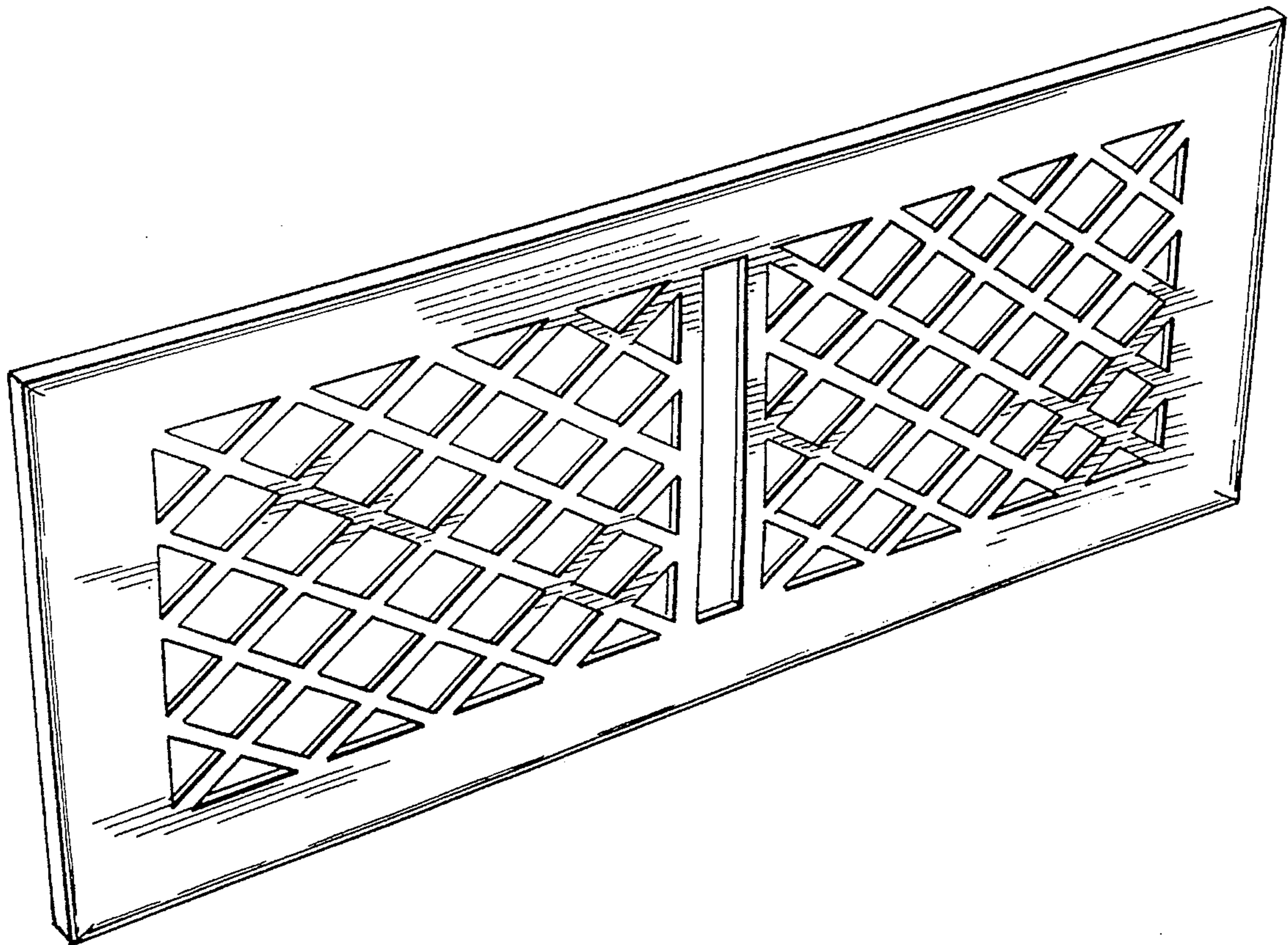
[56] **References Cited**

FIG. 1 is a perspective view of a floor register showing my new design;  
FIG. 2 is a top plan view of the floor register; and,  
FIG. 3 is a side view of the floor register thereof, the other side being a mirror image.

#### U.S. PATENT DOCUMENTS

D. 21,800	8/1892	Joss	.....	D23/388
D. 165,244	11/1951	Rendessy	.....	D23/388
D. 188,077	5/1960	Van Rijn	.....	D23/388
D. 269,806	7/1983	Syme	.....	D23/386

**1 Claim, 2 Drawing Sheets**



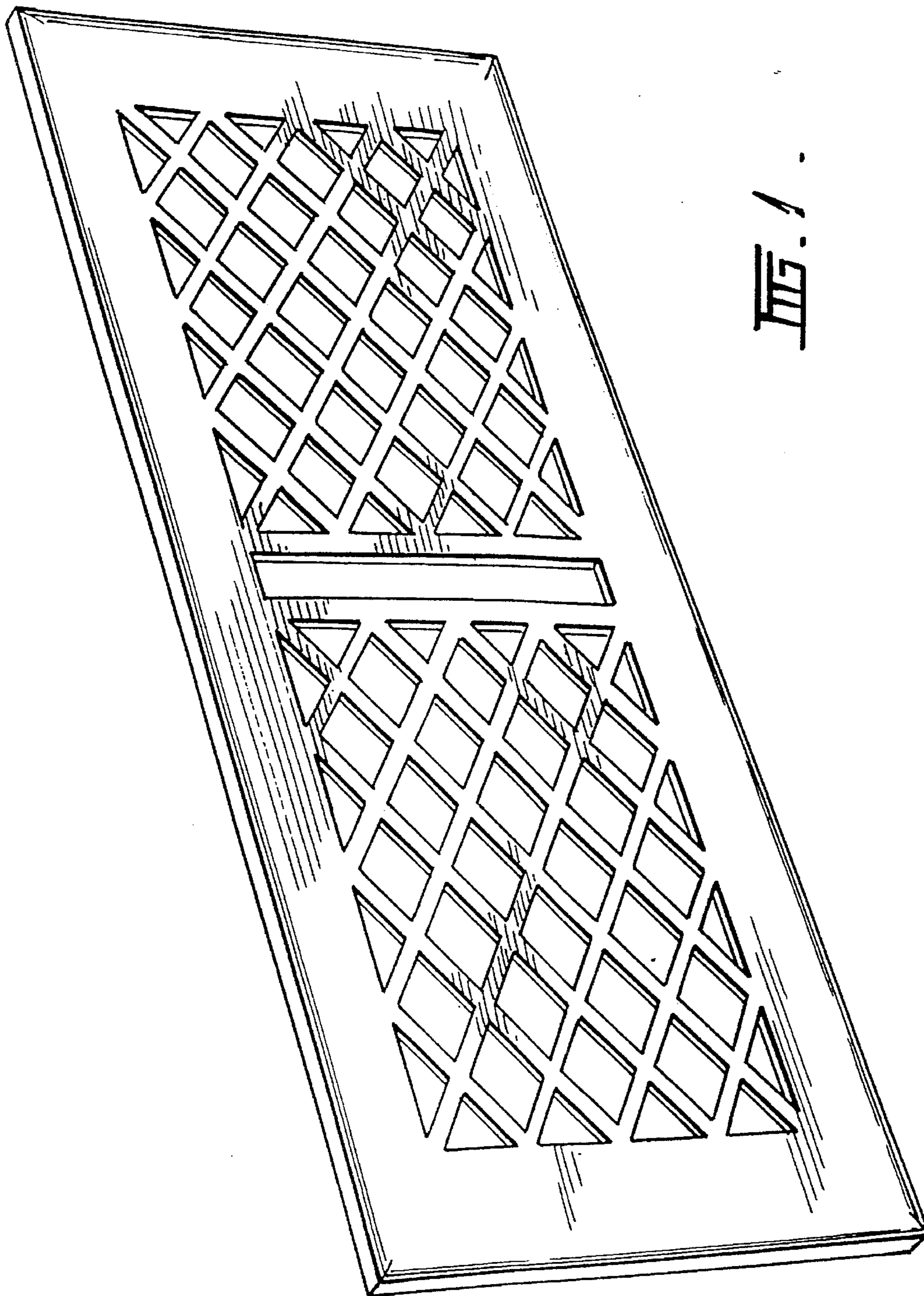


FIG. 1

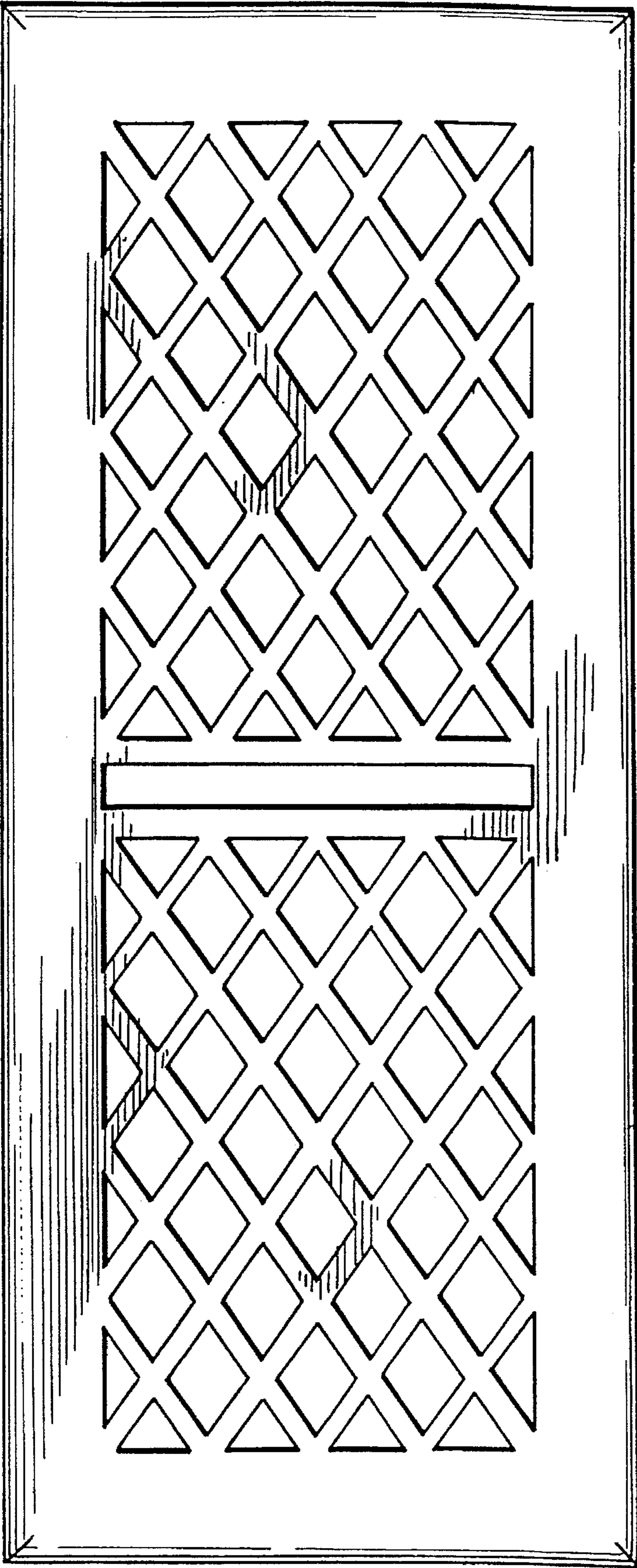


FIG. 2.



FIG. 3.