



US00D378850S

United States Patent [19]

[11] Patent Number: **Des. 378,850**

Howe et al.

[45] Date of Patent: ****Apr. 15, 1997**

[54] **SHOWER WATER FILTER**

| | | | | |
|------------|--------|-----------------|-------|---------|
| D. 358,868 | 5/1995 | Hembree et al. | | D23/207 |
| 3,817,390 | 6/1974 | Maruniak et al. | | 210/460 |
| 4,686,037 | 8/1987 | Lang | | 210/460 |

[75] Inventors: **Peggy Howe**, Milwaukee; **Gary L. Hatch**, Sheboygan, both of Wis.

Primary Examiner—A. Hugo Word
Assistant Examiner—Robin V. Taylor
Attorney, Agent, or Firm—Andrus, Scales, Starke & Sawall

[73] Assignee: **Ametek, Inc.**, Sheboygan, Wis.

[**] Term: **14 Years**

[57] **CLAIM**

[21] Appl. No.: **51,579**

The ornamental design for a shower water filter, as shown and described.

[22] Filed: **Mar. 13, 1996**

DESCRIPTION

[52] U.S. Cl. **D23/209**

[58] **Field of Search** D23/200, 207,
D23/209, 210; 210/459, 460, 249, 340,
341

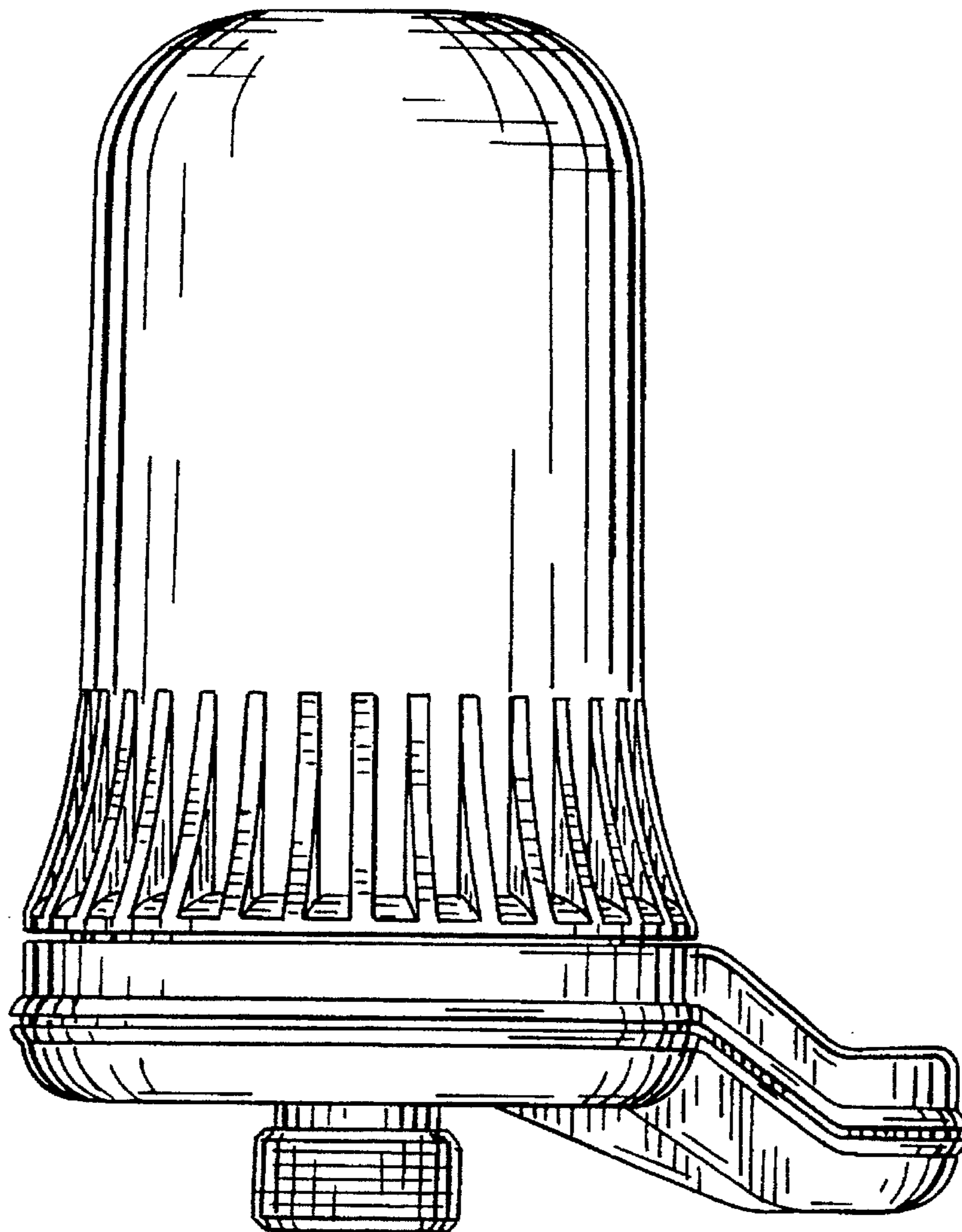
FIG. 1 is a right side perspective view of a shower water filter showing our new design, the left side perspective view being identical;
FIG. 2 is a front elevational view of a shower water filter showing our new design;
FIG. 3 is a rear elevational view thereof;
FIG. 4 is a top plan view thereof; and,
FIG. 5 is a bottom plan view thereof.

[56] **References Cited**

U.S. PATENT DOCUMENTS

| | | | | |
|------------|--------|-----------|-------|---------|
| D. 120,579 | 6/1940 | Lieberman | | D23/213 |
| D. 132,610 | 6/1942 | Zuckerman | | D23/213 |

1 Claim, 2 Drawing Sheets



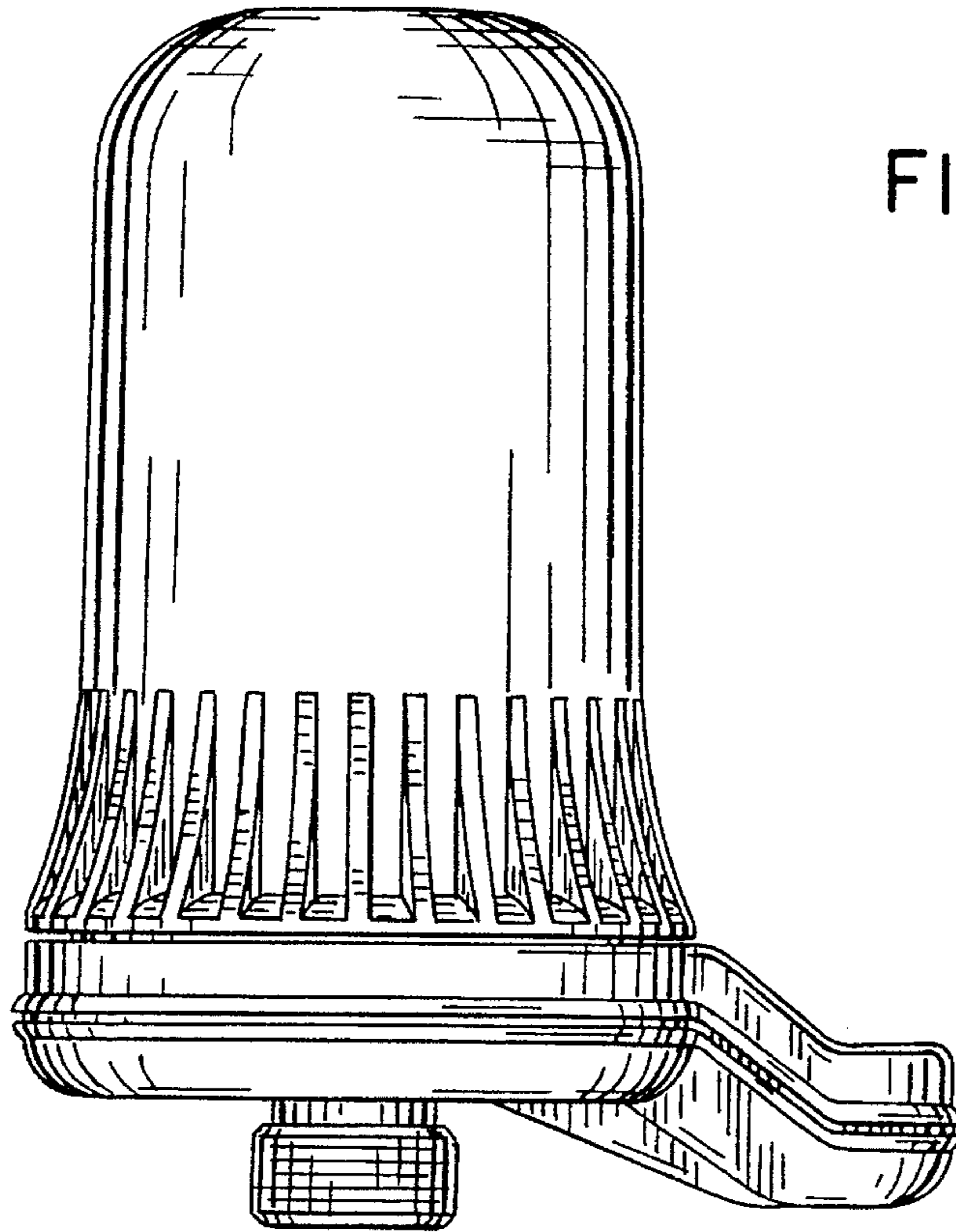


FIG. 1

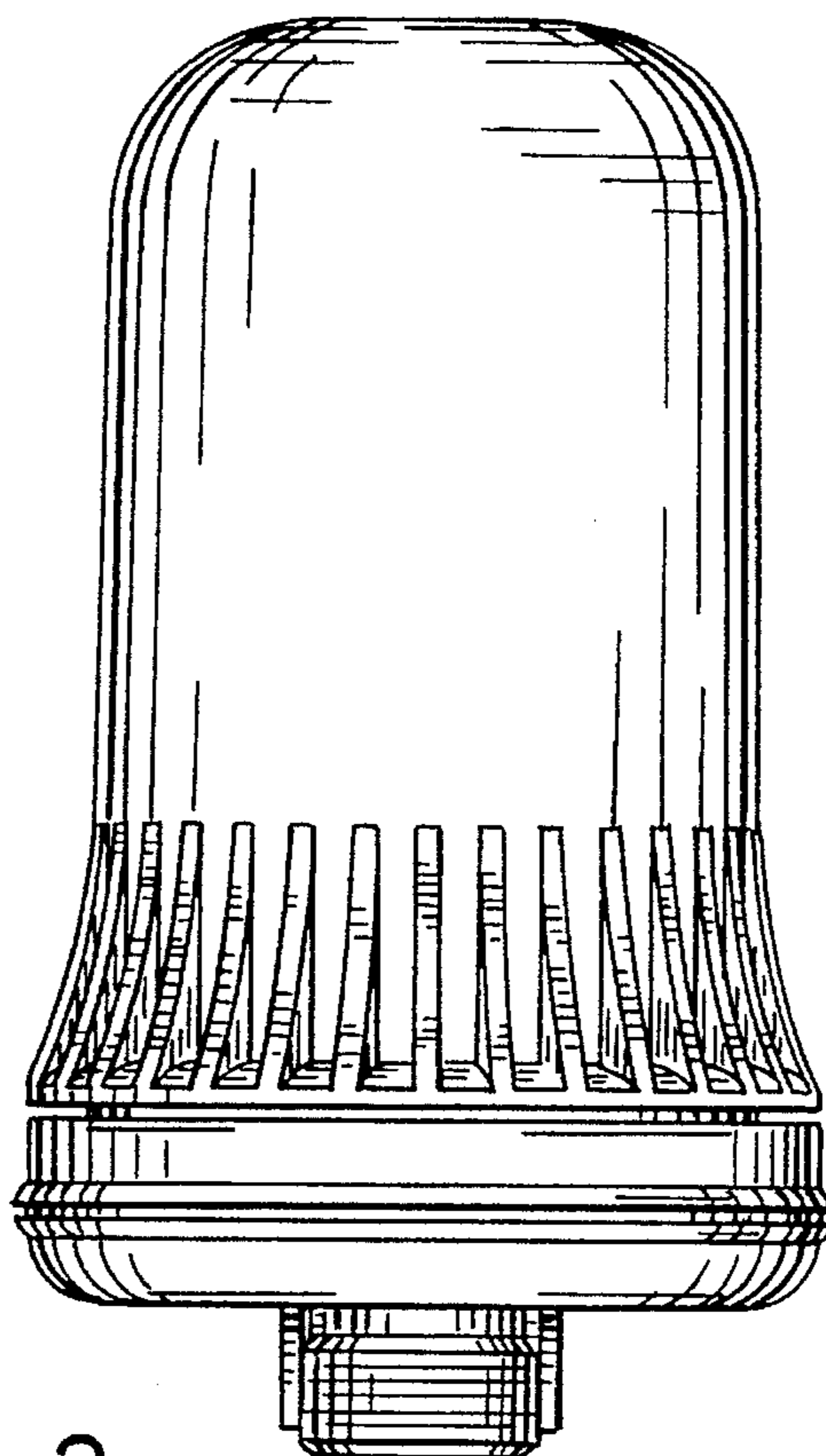


FIG. 2

FIG. 3

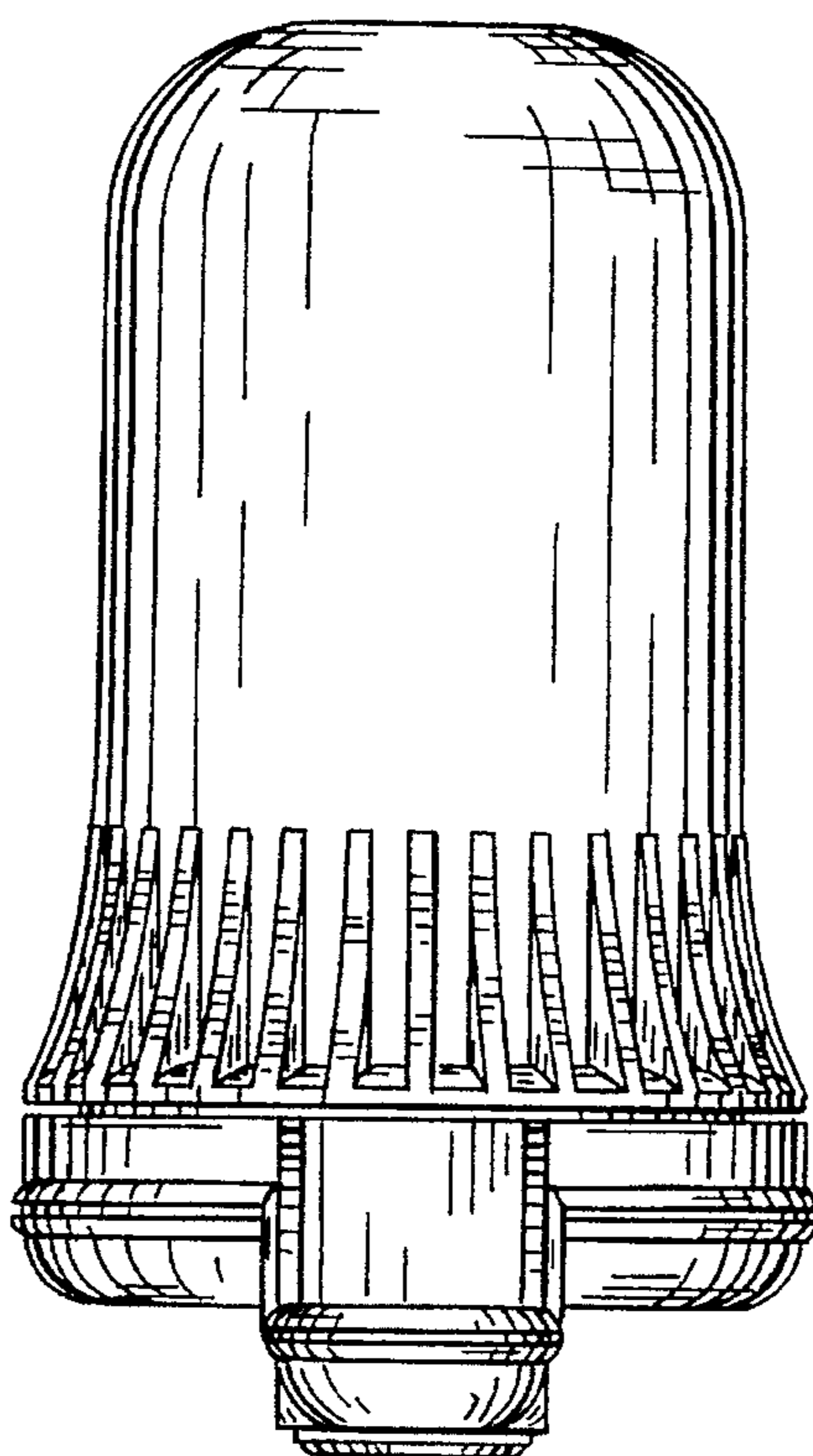


FIG. 4

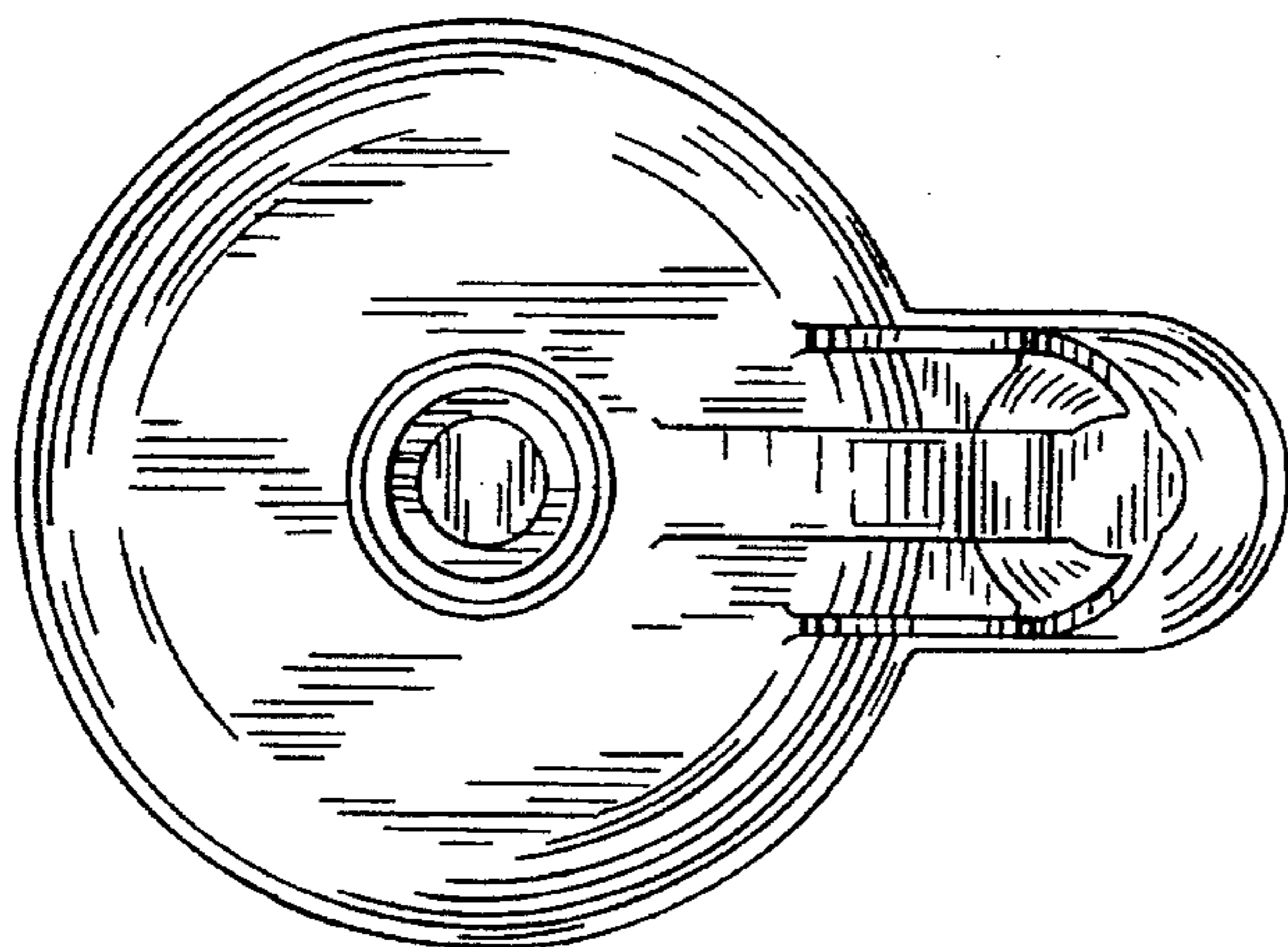
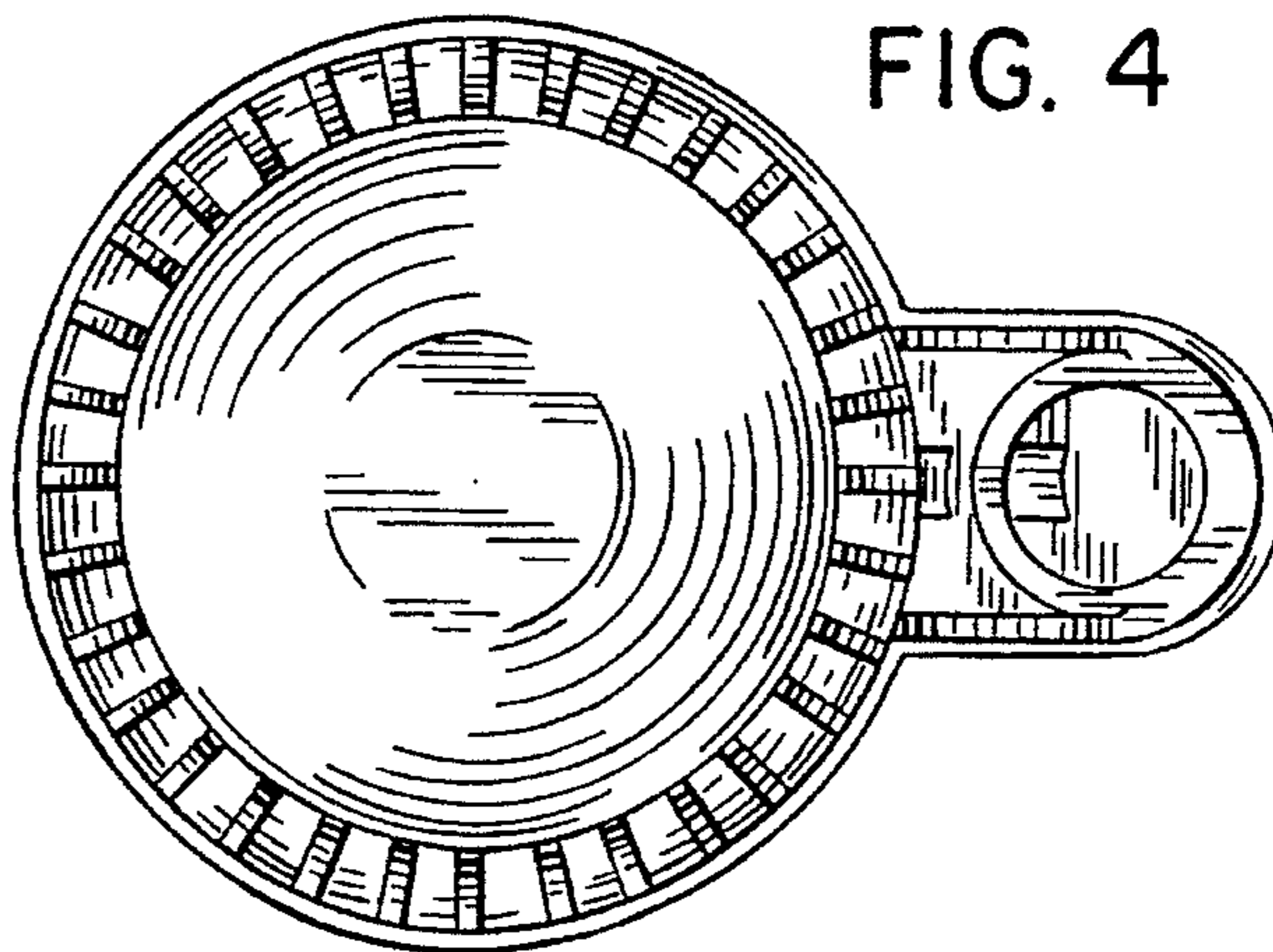


FIG. 5