



US00D378846S

United States Patent [19]
Sodaro

[11] **Patent Number: Des. 378,846**

[45] **Date of Patent: **Apr. 15, 1997**

[54] **RANGE-FINDING ARCHERY SIGHT**

[76] Inventor: **John C. Sodaro**, P.O. Box 71,
Monkton, Vt. 05469

[**] Term: **14 Years**

[21] Appl. No.: **46,432**

[22] Filed: **Nov. 14, 1995**

[52] **U.S. Cl.** **D22/107; D22/199**

[58] **Field of Search** **D22/100, 107,**
D22/199; 124/124.1, 44.5, 87, 88; 33/265

[56] **References Cited**

U.S. PATENT DOCUMENTS

D. 368,294	3/1996	Lasee	D22/107
3,696,517	10/1972	Larson	33/265
3,875,674	4/1975	Davidson	33/265
4,178,693	12/1979	Smith	33/265
4,580,349	4/1986	Webb et al.	33/265
4,587,945	5/1986	Little	124/87
4,606,629	8/1986	Hines et al.	356/1
4,617,741	10/1986	Bordeaux et al.	33/228
4,669,196	6/1987	Kersey	33/265
4,689,887	9/1987	Colvin	124/87 X
4,753,528	6/1988	Hines et al.	356/1
4,785,541	11/1988	Lowry	33/265
4,894,921	1/1990	Barlow	33/265
4,984,372	1/1991	Blizzard	33/265
4,995,166	2/1991	Knemeyer	33/265
5,025,565	6/1991	Stenerson et al.	33/265
5,239,760	8/1993	Dixon et al.	33/267

5,339,792	8/1994	McCain	124/87
5,351,671	10/1994	Cervera	124/87
5,359,780	11/1994	Dallaire	33/265
5,413,084	5/1995	Haggard	124/87 X
5,419,051	5/1995	Barngrover	33/265
5,419,303	5/1995	Stewart	124/44.5
5,421,315	6/1995	Miller	124/87

OTHER PUBLICATIONS

Anon., "Range Finders" *Bowhunting World*, vol. 44, No. 8 (Dec. 1995), pp. 30-33.

Cobra Manufacturing Co., Inc. advertisement, *Bowhunting World* vol. 44, No. 8 (Dec. 1995), p. 46.

Primary Examiner—Louis S. Zarfes

Assistant Examiner—Monica A. Hannon

Attorney, Agent, or Firm—Theodore R. Touw

[57] **CLAIM**

The ornamental design for a range-finding archery sight, as shown and described.

DESCRIPTION

FIG. 1 is a perspective view of a range-finding archery sight showing the design;

FIG. 2 is a front elevational view thereof;

FIG. 3 is a right side elevational view thereof;

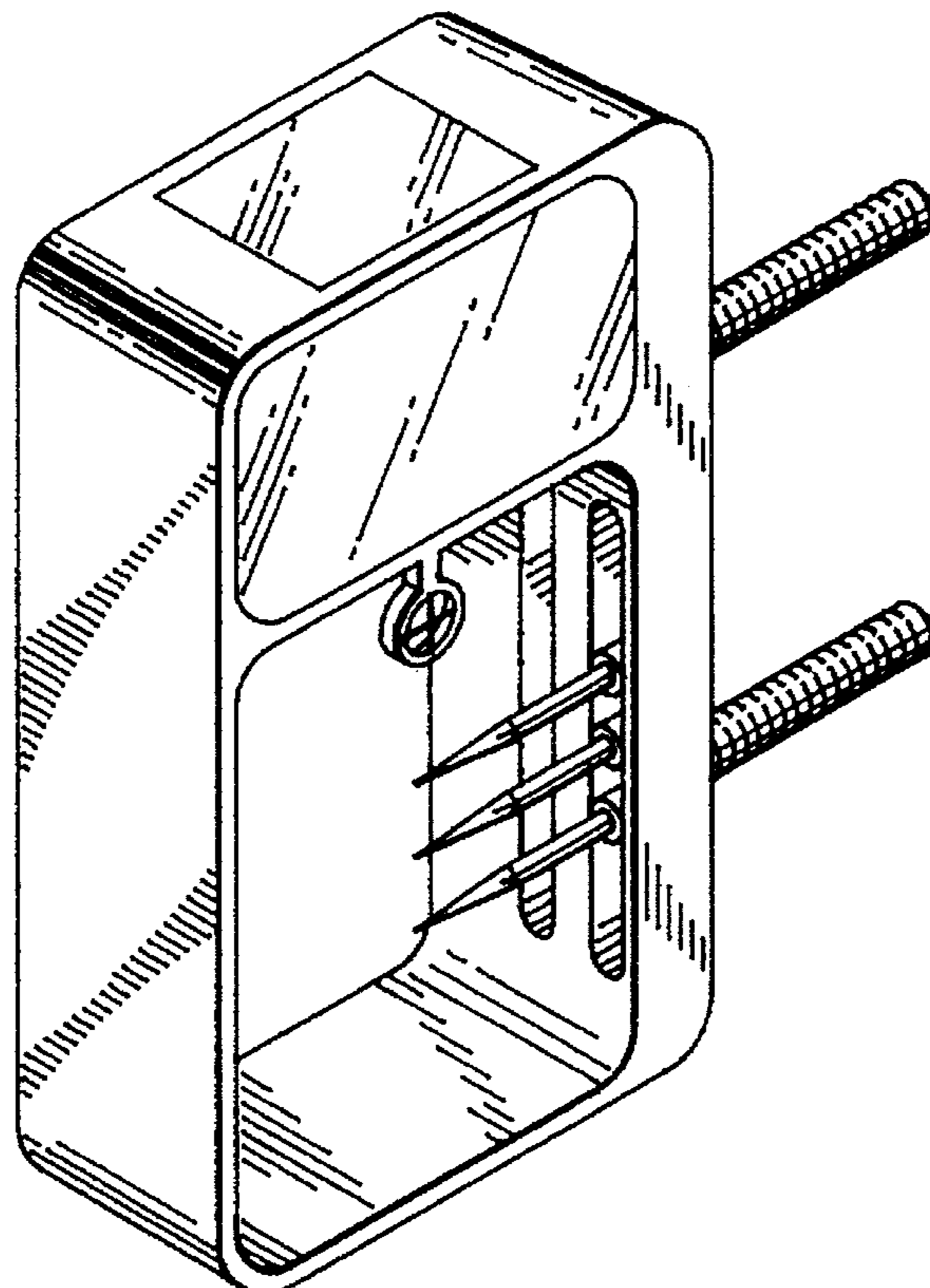
FIG. 4 is a top plan view thereof;

FIG. 5 is a rear elevational view thereof;

FIG. 6 is a left side elevational view thereof; and,

FIG. 7 is a bottom plan view thereof.

1 Claim, 2 Drawing Sheets



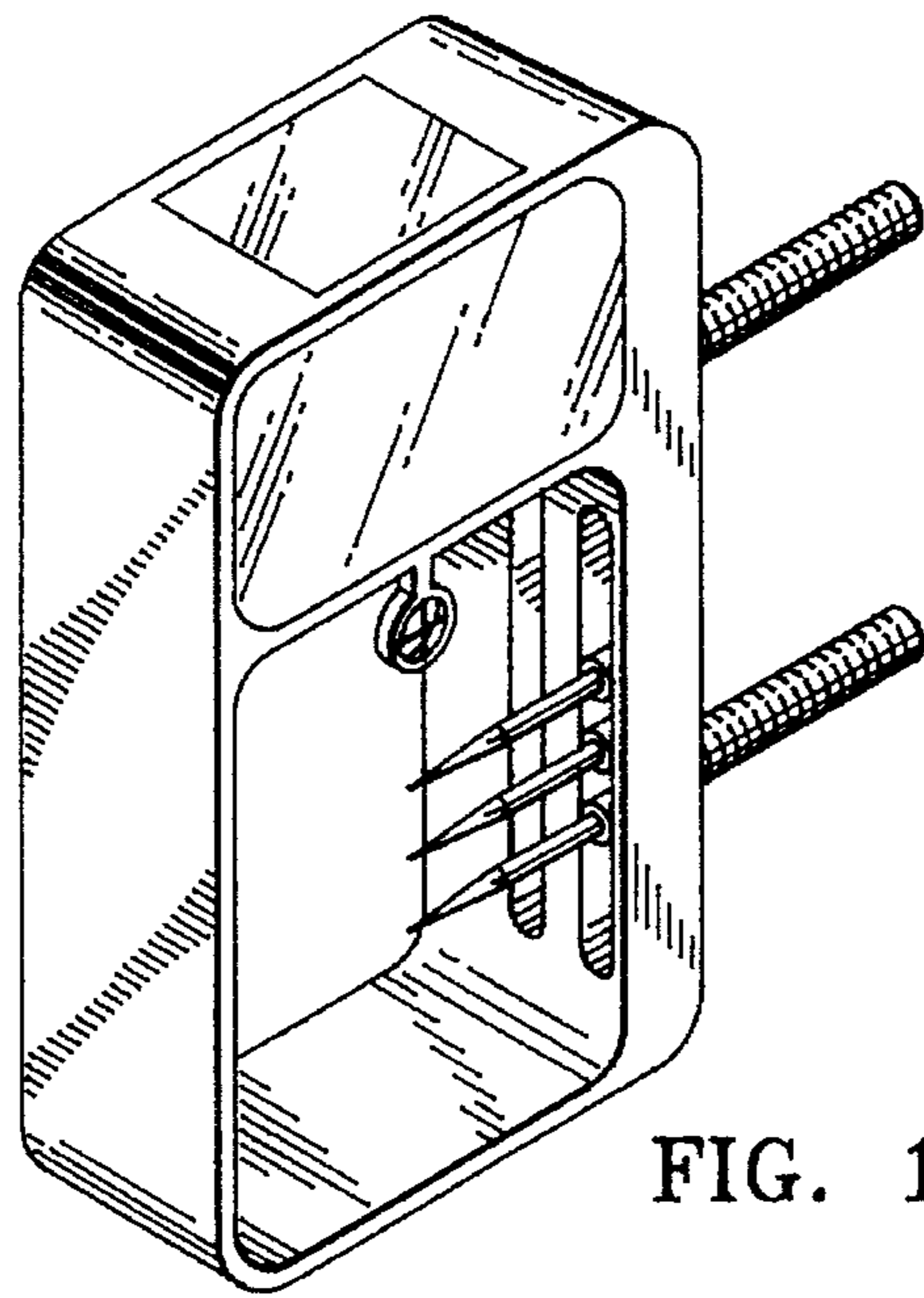


FIG. 1

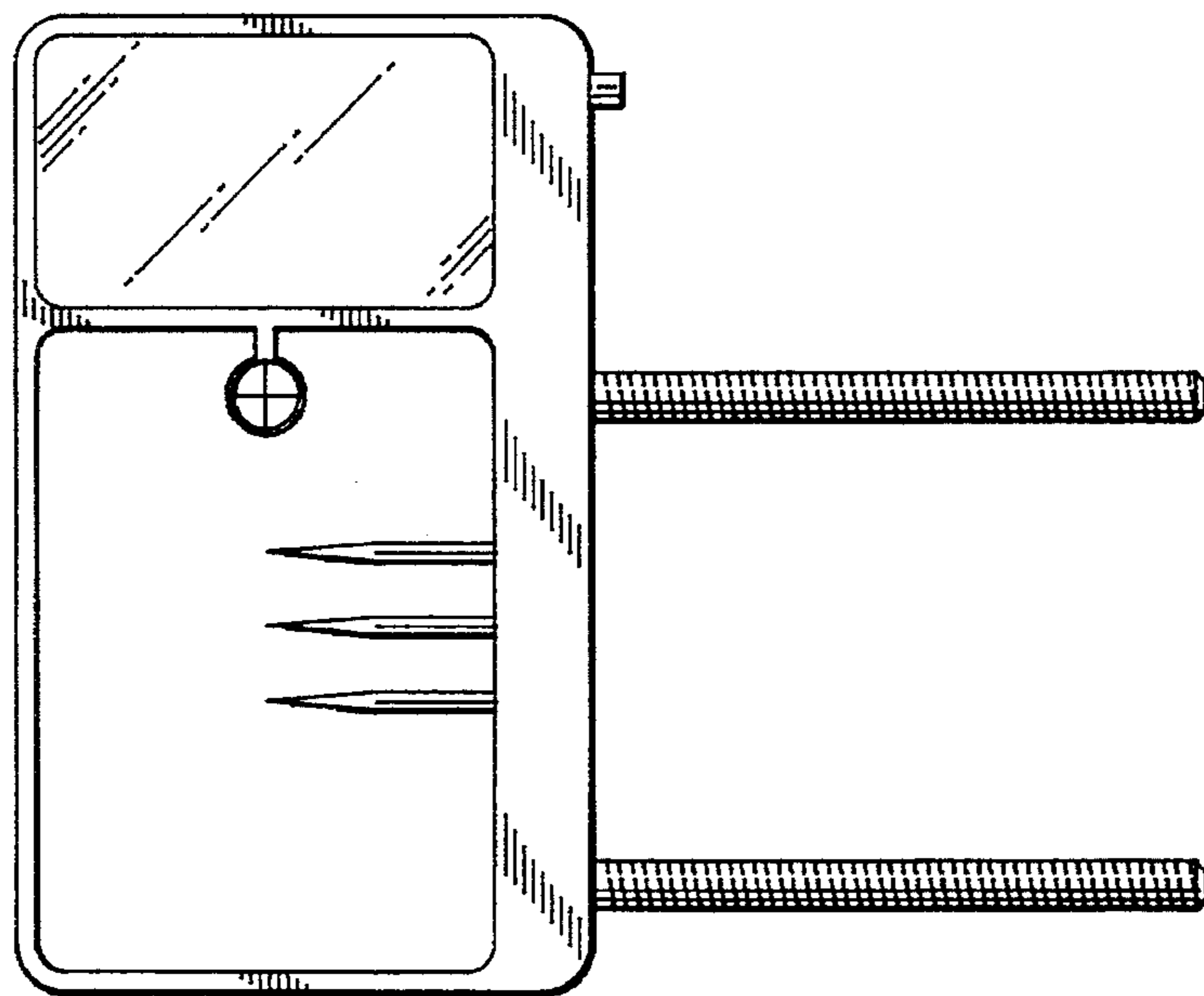


FIG. 2

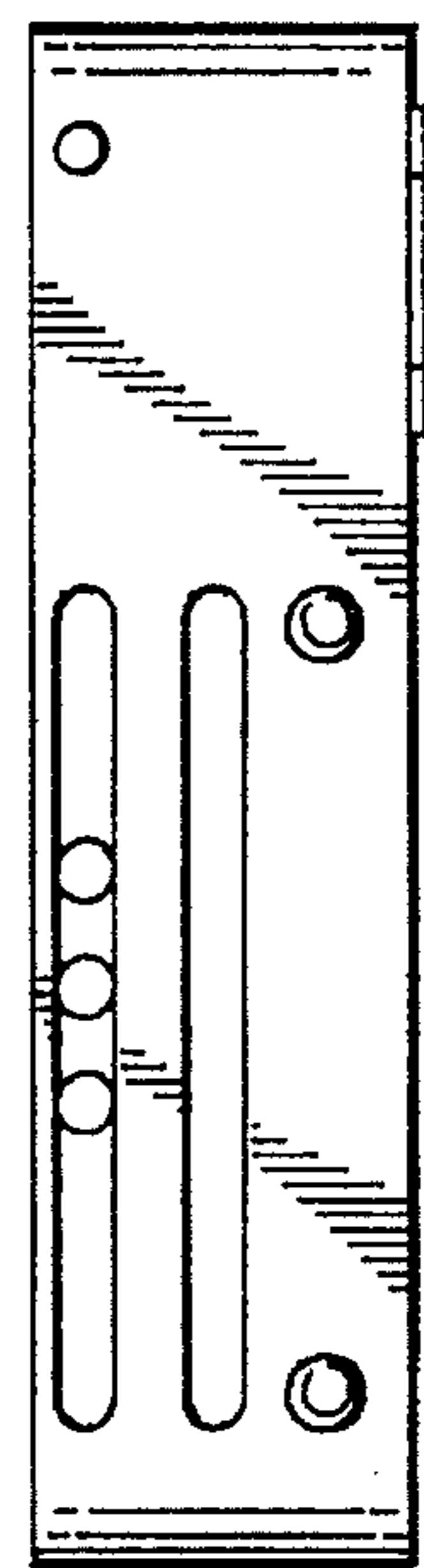


FIG. 3

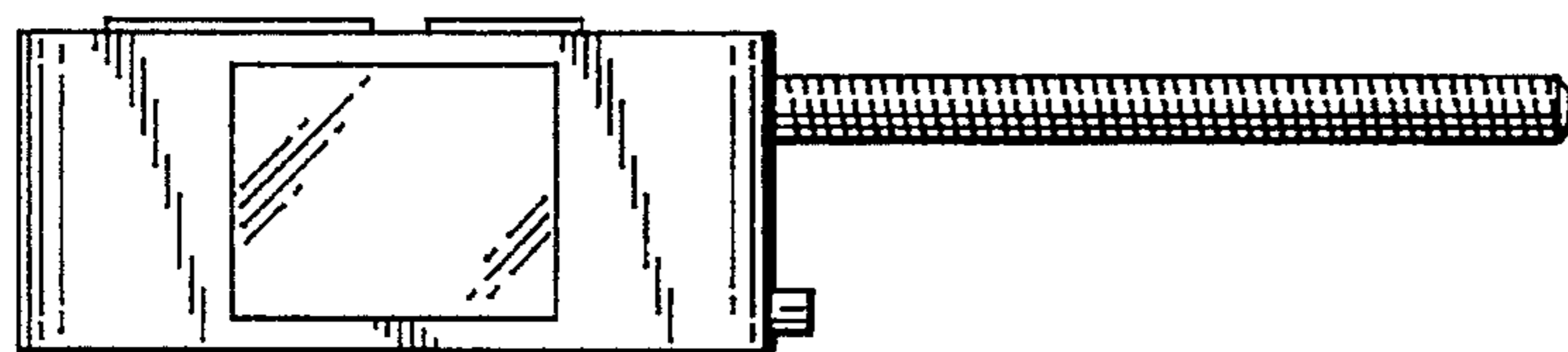


FIG. 4

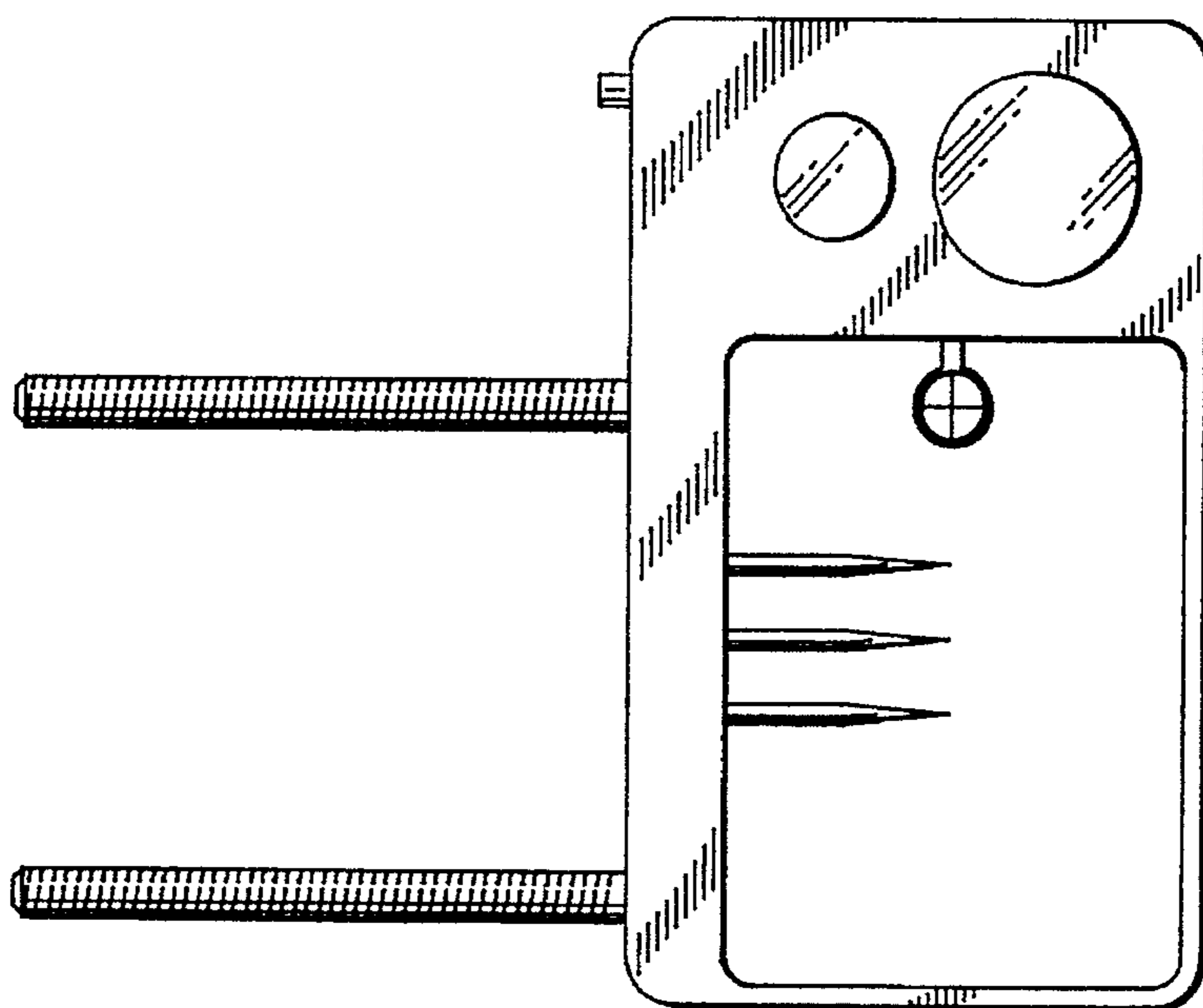


FIG. 5

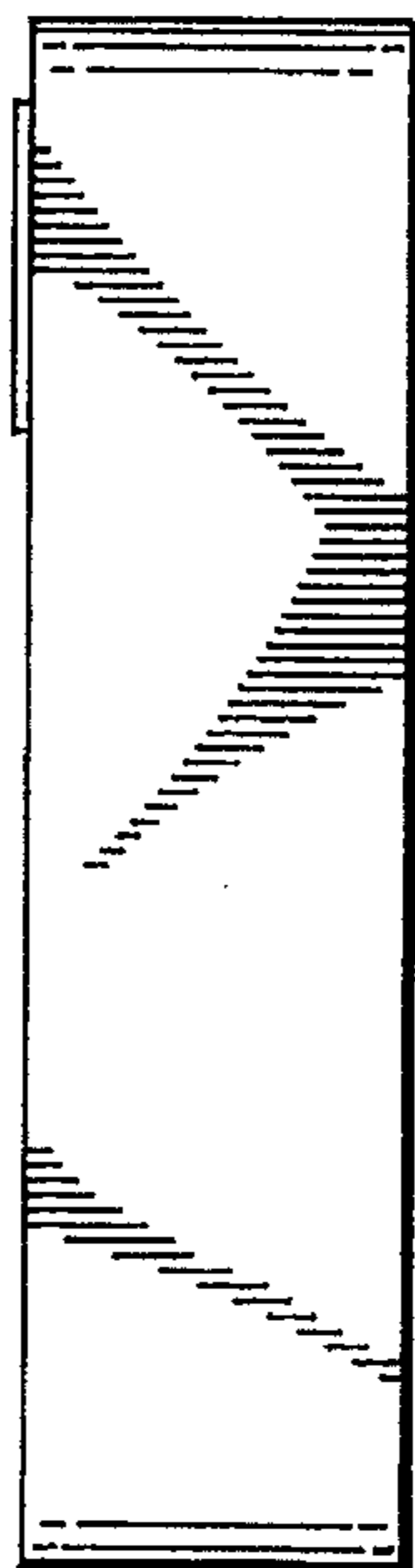


FIG. 6

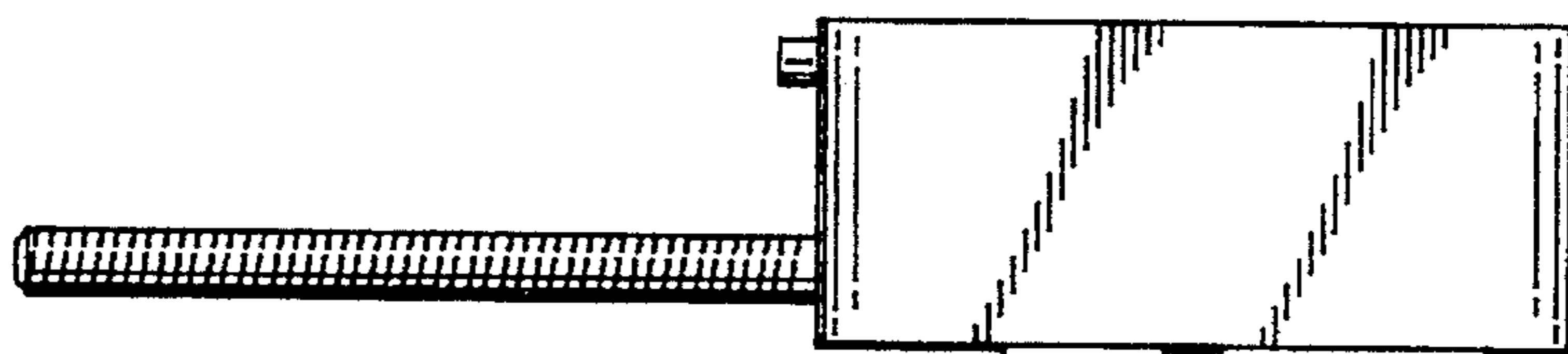


FIG. 7